



MV63 FLAME BROILER

Gas
Electric

The Broiler Built by Over 50 Years of Experience & Innovation

In 1969, Nieco® began developing custom solutions to the most common challenges in restaurant kitchens when we installed our first automatic flame broiler in Tomorrowland at Disneyland®. Nieco innovations include automatic broiling that cooks twice as fast, equipment that uses less energy, keeps your kitchen cooler, and reduces emissions, keeping your kitchen cleaner too.

We are proud to introduce the next generation of Nieco's automatic flame broilers for our customers.

FEATURES

- Large capacity cooking chamber — 15% larger cook zone for higher volume and more powerful, consistent production when you need it most
- Nieco BroilVection™ technology for faster cook times, quicker service and signature flame-broiled flavor
- Offered in a variety of flow and feeder configurations
- Next-generation BroilVection™ upper and lower burner system simplifies daily cleaning requirements. Clean lower burner weekly and upper system monthly.
- Improved heat-balance and grease-management system controls flaming
- IoT capable, programmable touch screen controls for easy operation, training and added flexibility

HEAT OPTIONS

- Natural Gas, LPG, or Electric

ACCESSORIES

- Quick Disconnect Gas Hose
- Preventative Maintenance Kit
- Daily Time Savings Kit
- Spare Parts Kits: Critical, Motor & Blower, Touch Screen Controls, PTFE Kit



Put the *Most Value* at the
Heart of Your Kitchen
MV63 AUTOMATIC BROILER

As pictured, Broiler with wheeled stand with shelf,
and Incendalyst™ Emission Control Device





MV63 FLAME BROILER

Gas
Electric

The Broiler Built by Over 50 Years of Experience & Innovation

DIMENSIONS

	Inches	mm
Length	42.1	1070
Width	40.9	1040
Height	65.8	1671 (with Stand and Incendalyst™)

ENERGY (FACTORY RATED)

Gas Models:

- Natural Gas or LPG (mixed gas call factory)
- Average Usage: 80,000 BTU/hour
- Connection Size: 3/4" NPT
- Domestic: 120V, 8A
- Export: 220V, 5A

Electric Models:

- Domestic or Export Electric: 208V, 3Ø, 56A, 50/60Hz
- Export CE Electric: 380V, 3Ø, 31A
- Connected: 21kW
- Average Consumption: 18kW

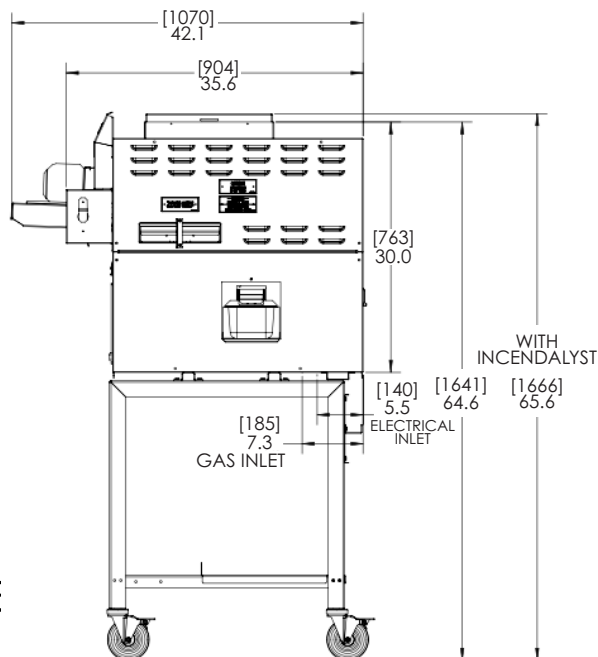
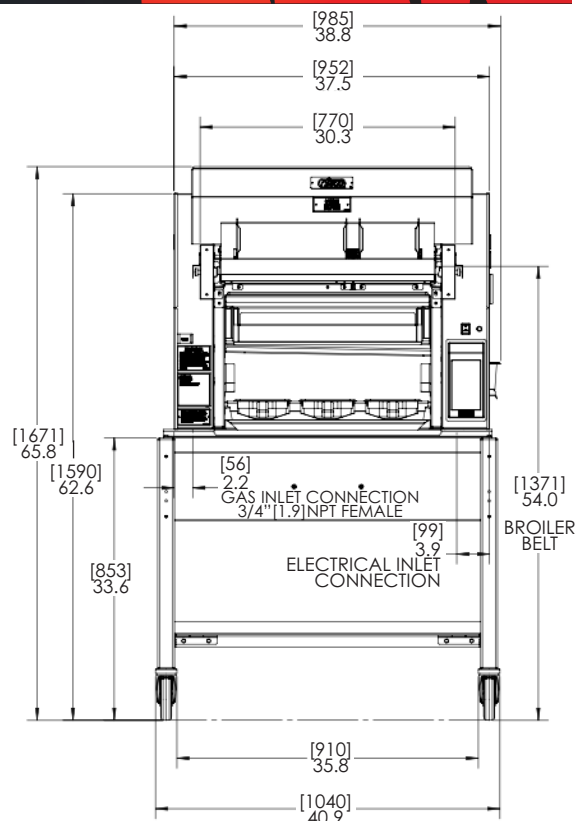
WARRANTY

One-year parts and labor. All Nieco equipment is backed by a worldwide sales and service network, with local parts inventories and 24-hour emergency service.

APPROVALS



R005-10176:



Call us today at **800-643-2656** or e-mail us at **sales@nieco.com**