



**Model P14, P18
Portable Filter System**



Model P14, P18 Portable Filter System

Project _____
Item No. _____
Quantity _____

OPERATIONS

- Four swivel caster design allows for easy movement and storage of the filter
- Quick disconnect hose connections make it easy to assemble and disassemble.
- Low profile allows for easy placement under the fryer drain.
- Easy to remove filter media assembly for quick and easy filter paper replacement.
- Lift out filter pan for easy cleaning.

CONTROLS

- ON/OFF/HEATER

STANDARD ACCESSORIES

- (1) 7 inch (17.8cm) drain nipple
- Filter catch basket
- Sample Filter power
- Sample filter paper (Flat)
- (1) Sediment clean out scoop

AVAILABLE OPTIONS & ACCESSORIES

- Filter Heater (for solid shortening use)
- Paperless pick-up option
- Filter powder packets
- Filter paper flat
- Filter paper envelopes
- Cover

STANDARD FILTER FEATURES

- Filter pan and pump assembly enclosure are constructed of polished stainless steel
- All other surfaces are nickel plated finish
- Welded steel frame mounted on four ball-bearing swivel casters for easy movement
- 1/3 HP heavy duty motor and pump assembly
- 5 foot (1.5 meter) flexible, sanitary, high temperature return hose equipped with nozzle
- Return hose nozzle is nickel plated steel with a non-heat conducting handle
- Extra large filter area for improved filtering
10 Foot (3.05 meters) oil proof supply cord

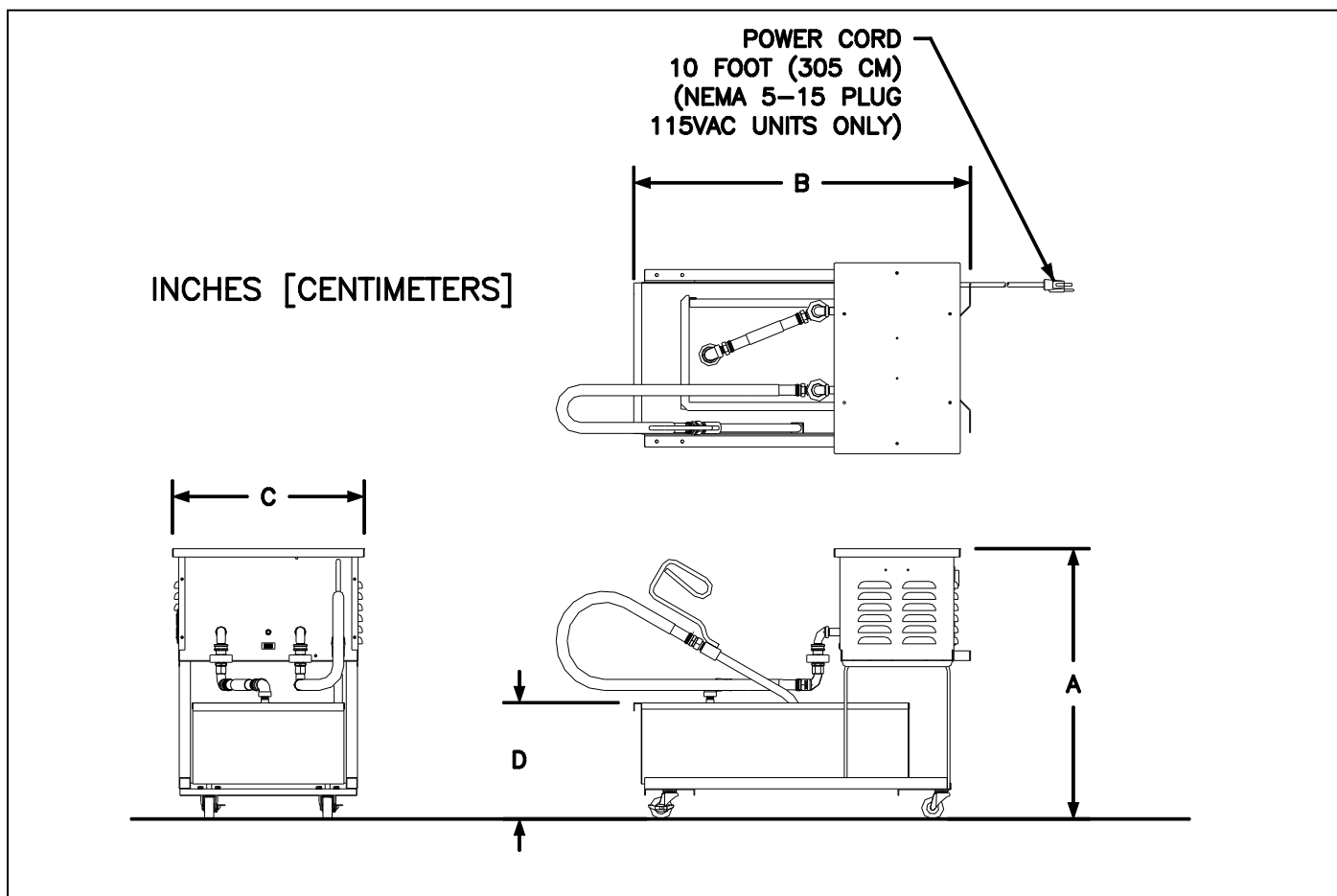
APPROVALS

- CSA Certified (AGA,CGA)
- NSF Listed
- MEA Approved
- CE Certified
- UL Listed



Model P14, P18 Portable Filter System

Model P14, P18 Portable Filter System



ELECTRICAL				
Pump	115V 60HZ		220-230-240V 50HZ	
	7 amps		4 amps	
DIMENSIONS				
Model	A	B	C	D
P14	24 3/8 in (61.9 cm)	30 1/4 in (76.8 cm)	17 7/32 in (43.7 cm)	10-1/2 in (28 cm)
P18	24 3/8 in (61.9 cm)	34 1/4 in (86.9 cm)	20-1/4 in (51.4cm)	10-1/2 in (28 cm)
FILTER PAN CAPACITY				
Model	Pan Capacity		Shipping Information	
P14	55 lbs (24.9 Kg)		131 lbs (59.4 Kg.) 10 cu ft. (0.28 cu meters)	
P18	90 lbs (41.0 Kg.)		150 lbs (68.0 Kg.) 14 cu ft. (0.40 cu meters)	
SHORT FORM SPECIFICATION				
Provide Pitco Model P-(14, 18) Unit will have the ability to receive oil gravity drained from fryers. The model P14 will have 300 square inches (1,936 square cm) of filter area. If Paperless units will have 280 square inches (1,806 square cm) of filter area. Models P-18 shall have 450 square inches (2,903 square cm) of filter area. Unit will have a polished stainless steel filter pan and pump enclosure; all other surfaces to be nickel plated.				
TYPICAL APPLICATION				
Mobile filtering of frying appliances. Filter is used with gravity drain fryers.				

