

Project Name: _____ AIA#: _____

Model #: _____ Location: _____

SIS#: _____ Item #: _____ Quantity: _____



Chefmate® by Globe Meat Choppers

When You Really Want Fresh

Powerful and durable, easy to use, easy to clean, and easy on the budget!



Models

- CM12 CM22

Standard Features

- Powerful, high torque motor, with manual reset overload protection
 - 1.5 HP (CM22)
 - 1 HP (CM12)
- Direct gear-driven transmission, mounted on ball bearings
- Permanent grease-lubricated gear box
- Manual reset motor overload protection
- Forward/reverse switch
- Compact size and seamless construction
- 450 lbs/hr meat capacity (CM22)
- 250 lbs/hr meat capacity (CM12)
- Top-mounted handle with tray support
- Non-slip rubber feet
- Six-foot cord and plug

Standard Accessories

- Knife
- Stainless steel product tray
- 1/4" (6mm) plate
- 5/16" (8mm) plate
- Stuffing tube (*requires a stuffing plate, not included*)
- Plastic food pusher

Warranty

- *One year parts and labor*

Optional Accessories/Attachments

- Stuffing tube
- Chopper knife
- Meat tenderizer (**CM12 ONLY**)
- Additional grinding plates

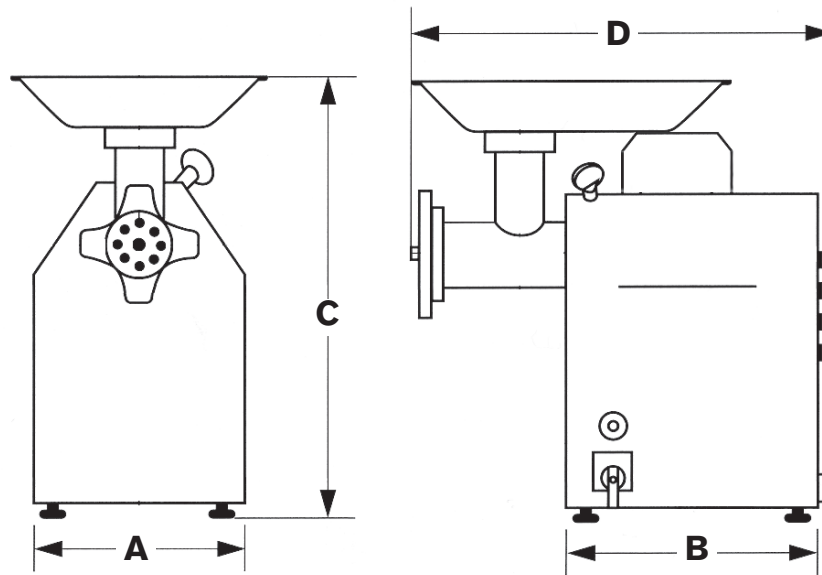
To select options, see complete list on back



IMPORTANT: Choppers are to be used for beef, pork, or venison only. Lean products such as poultry, vegetables, cheese, etc. will damage the unit!

Approved by: _____ Date: _____

2153 Dryden Rd., Dayton, OH 45439 | 937-299-5493 | 800-347-5423 | Fax: 937-299-4147 | www.globefoodequip.com



SPECIFICATIONS					
Model	Motor	Volts	Amps	Worm Speed - RPMs	Meat Capacity
CM12	1 HP	115/60/1	11	170	250 lbs/hr
CM22	1.5 HP	115/60/1	16	170	450 lbs/hr

Cord & Plug: Attached 6-foot flexible 3-wire cord with molded plug fits a grounded receptacle. NEMA 5-15P.

DIMENSIONS SHIPPING INFORMATION							
Reinforced carton for shipping. Weight of carton included below and may vary from shipment to shipment.							
Model	Dimensions				Net Wt	Shipping Dimensions	Ship Wt
	A - Width	B - Base Depth	C - Height	D - Overall Depth			
CM12	8.625" (22 cm)	9.625" (24.45 cm)	19" (48 cm)	16.25" (41.3 cm)	62 lbs (28 kg)	13.5" w x 18.5" d x 19.5" h (34 cm x 47 cm x 49.5 cm)	69 lbs (31.3 kg)
CM22	9.25" (23.5 cm)	11.5" (29 cm)	21" (53 cm)	18.625" (47 cm)	76 lbs (34.5 kg)	14.5" w x 21.5" d x 22.5" h (37 cm x 55 cm x 57 cm)	84 lbs (38 kg)

Meat chopper has seamless, stainless steel housing, cylinder, worm gear, adjusting ring and product tray. 1 or 1.5 HP high torque motor with manual reset overload protection, gear-driven transmission and permanent grease-packed sealed gear box. Food capacity of 250 lbs./hr. or 450 lbs./hr. Comes complete with knife, product tray, 1/4" and 5/16" plates, stuffing tube and plastic food pusher. Chopper is ETL listed. One year parts and labor warranty.

OPTIONAL ACCESSORIES

CM12

- L00437 stuffing tube
- L00440 chopper knife
- L00670 meat tenderizer attachment 7/8" x 7.5"

Grinding plates:

- L00772 1/16" (2 mm) plate
- L00668 5/32" (4 mm) plate
- L00439 1/4" (6 mm) plate

- L00669 5/16" (8 mm) plate
- L00773 3/8" (10 mm) plate
- L00774 1/2" (12 mm) plate
- L00775 9/16" (14 mm) plate
- L00776 5/8" (16 mm) plate
- L00777 stuffing plate
Must be used with stuffing tube when stuffing sausage casings

CM22

- L00478 stuffing tube
- L00481 chopper knife

Grinding plates:

- L00779 1/16" (2 mm) plate
- L00671 5/32" (4 mm) plate
- L00480 1/4" (6 mm) plate
- L00672 5/16" (8 mm) plate

- L00780 1/2" (12 mm) plate
- L00781 11/16" (18 mm) plate
- L00782 stuffing plate
Must be used with stuffing tube when stuffing sausage casings