

End table

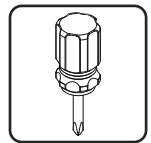
Assembly Instructions – Please keep for future reference

ZZ001

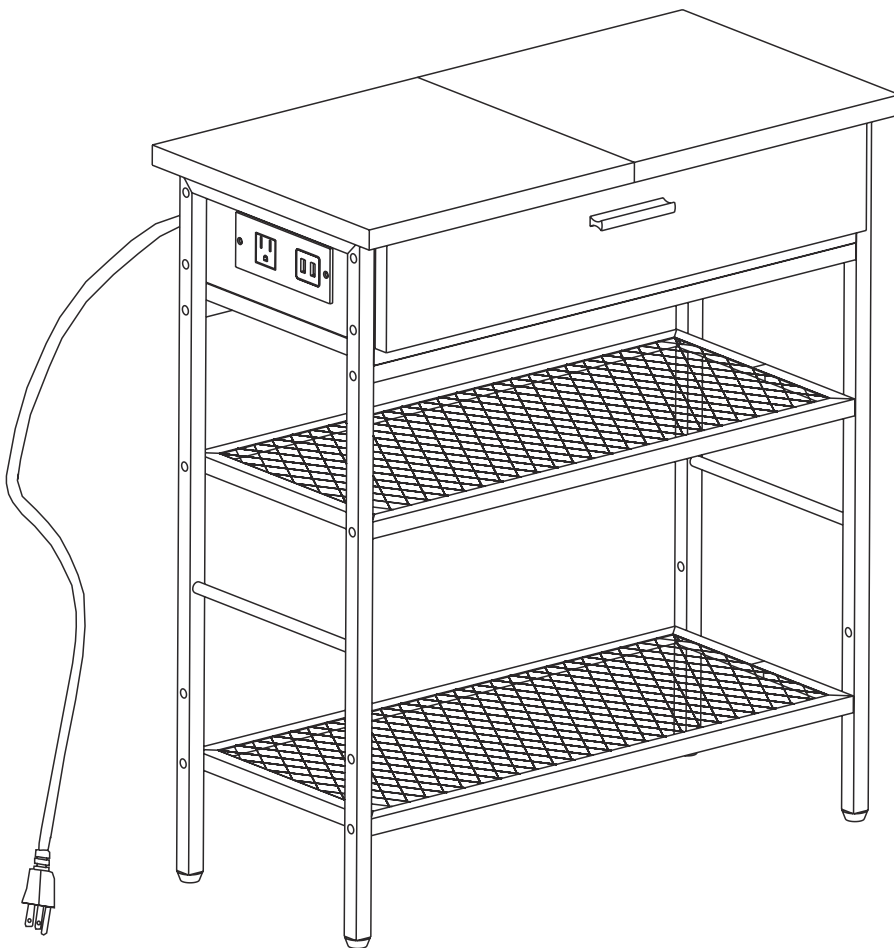
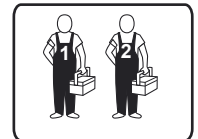
Dimensions

Width – 22.8inch
Depth – 11.4inch
Height – 25.6inch

Assembly Tool Required



Screwdriver



Read all instructions before assembly and use.
KEEP INSTRUCTIONS FOR FUTURE USE.

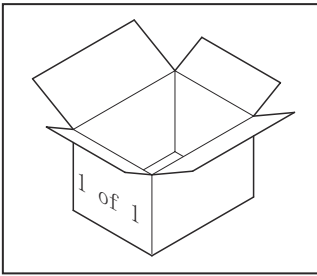
If you need assistance or find missing or damaged parts
in the package, contact us by mail: info@wasagun.com

















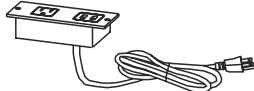

WASAGUN

Components

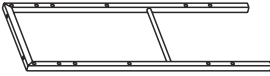


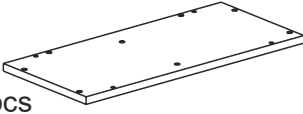
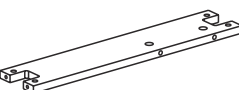
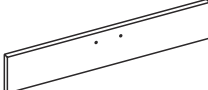
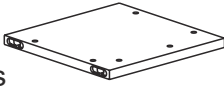
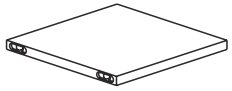
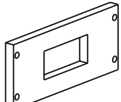
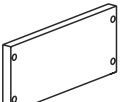
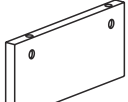
If you need assistance or find missing or damaged parts in the package, contact us by mail: info@wasagun.com

Please check all parts below under a good condition before you install the end table .



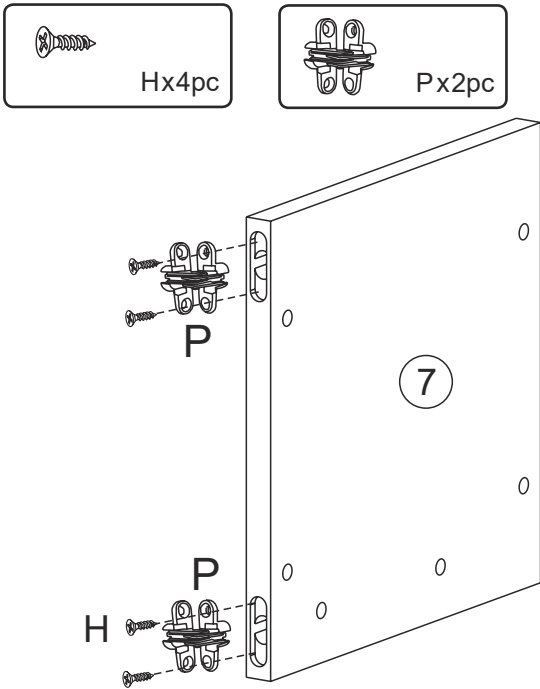
A 4 pcs M6x40mm 	B 4 pcs 	C 18 pcs M6X25mm 	D 4 pcs M4X25mm 
E 2 pcs M4X18mm 	F 4 pcs ST5X60mm 	G 8 pcs ∅5x40mm 	H 14 pcs ST3x12mm 
I 8 pc ST4x14mm 	J 4 pcs M6 	K 2 pcs 	L 1 pcs 
M 4 pcs 	N 1 pcs 	O 1 pcs 	P 2 pcs 
Q 1 pcs 	R 1 pcs 		

*The number of screws refers to the screws actually needed, but we will add some more screws as reserve.

1 2 pcs 	2 2 pcs 	3 2 pcs 	4 1 pcs 
5 1 pcs 	6 1 pcs 	7 1 pcs 	8 1 pcs 
9 1 pcs 	10 1 pcs 	11 1 pcs 	

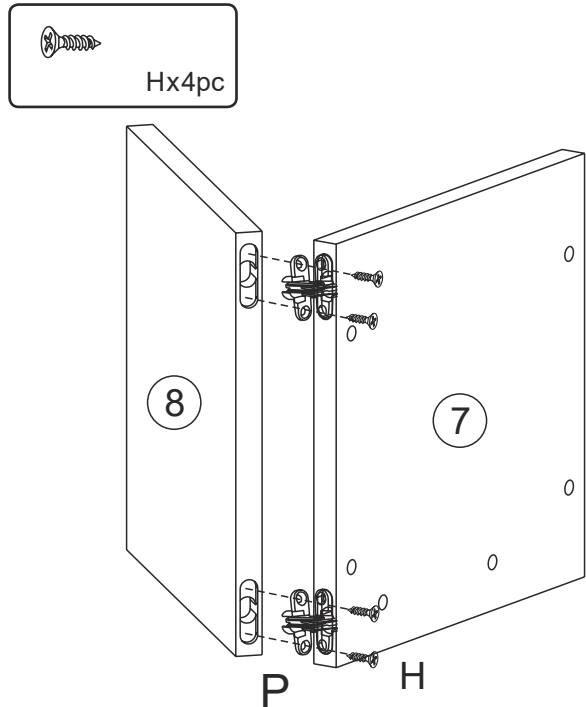
Assembly Instructions

Step 1



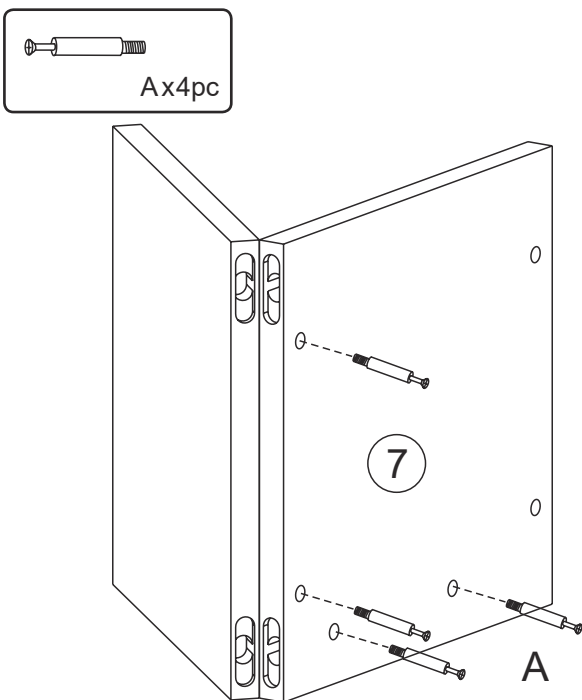
1: Insert the fitting "P" into the hole corresponding to 7, and then fix it with screw "H".

Step 2



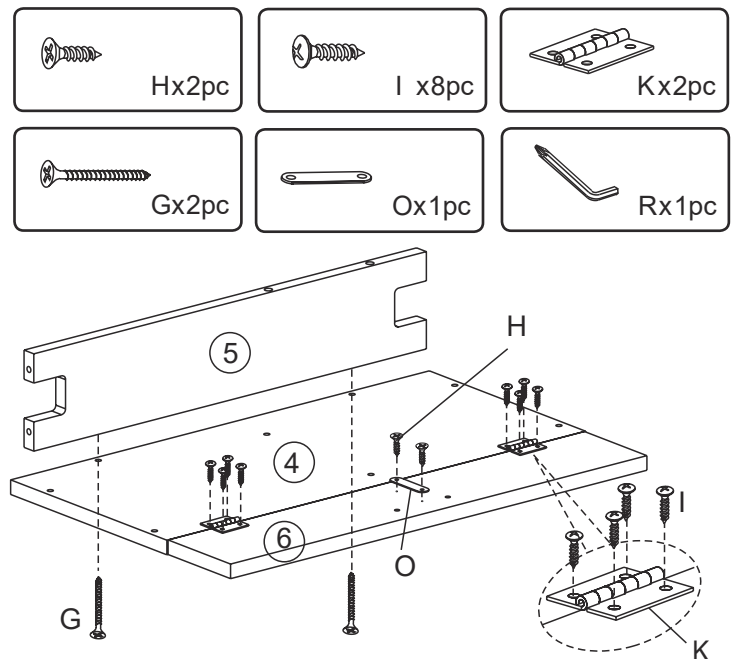
2: Insert the other end of "P" into the corresponding hole of 8, and then fix it with screw "H".

Step 3



3: Insert part "A" into the corresponding hole 7.

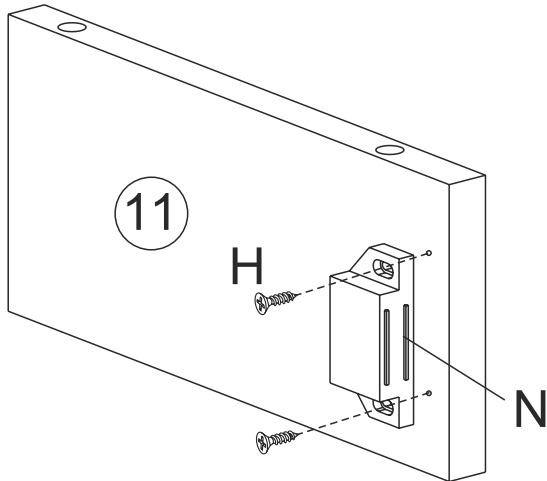
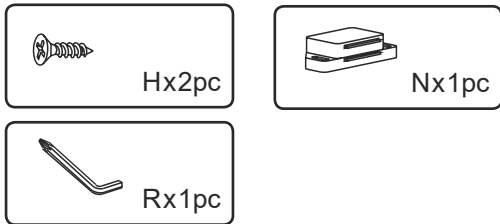
Step 4



4.1: Fix both ends of 4 and 6 through fitting "K" with screw "I".
 4.2: Fix the accessory "O" on the hole in the middle of 6 through screw "H".
 4.3: Fix 5 to 4 through screw "G".

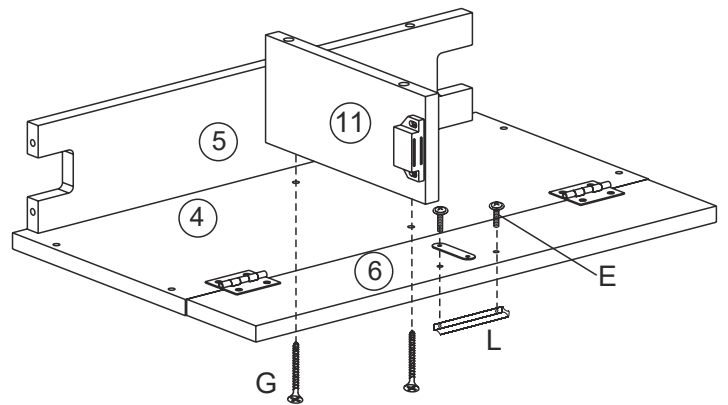
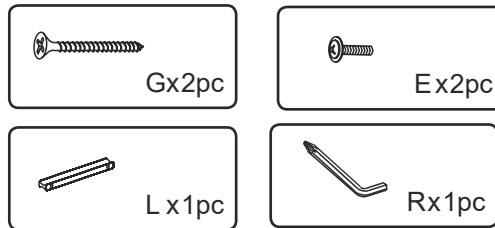
Assembly Instructions

Step 5



5: Fix fitting "N" on 11 through screw "H".

Step 6



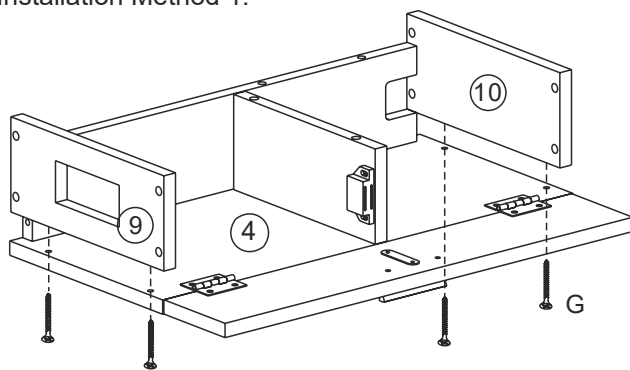
6.1: Fix the assembled 11 on the 4 through screw "G".
6.2: Fix the fitting "L" on 6 through screw "E".

Step 7

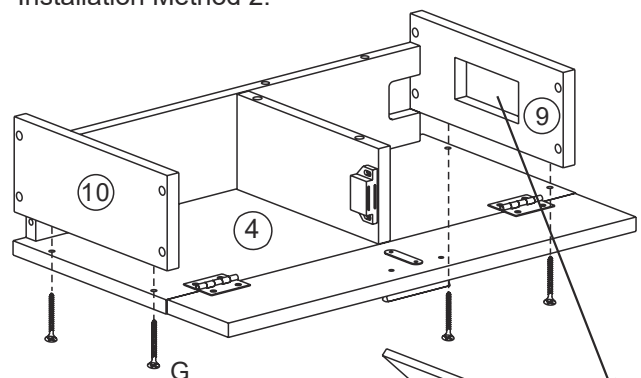


There are two installation methods.

Installation Method 1:

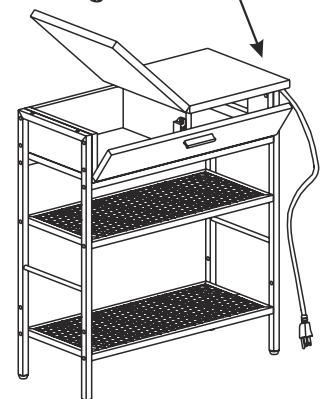


Installation Method 2:



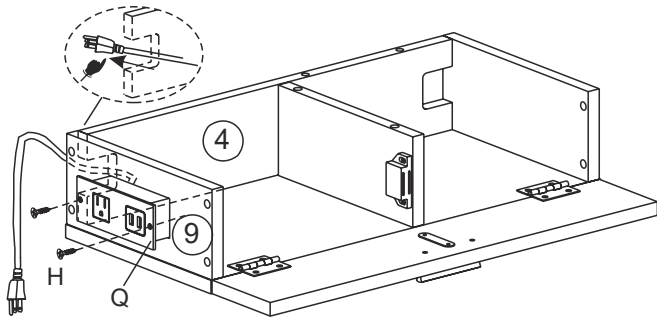
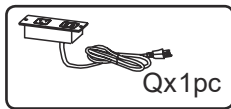
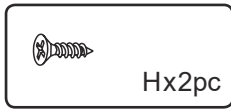
7: Fix accessories 9 and 10 to both ends of 4 respectively through screw "G".

9 The middle hole is used to install the socket, which is finally on the left or right side of the finished product. It can be determined according to your needs.



Assembly Instructions

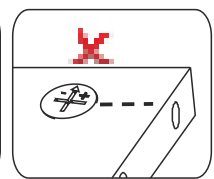
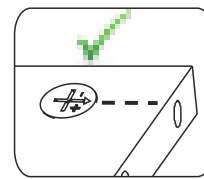
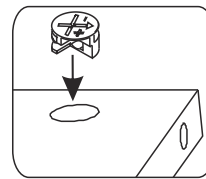
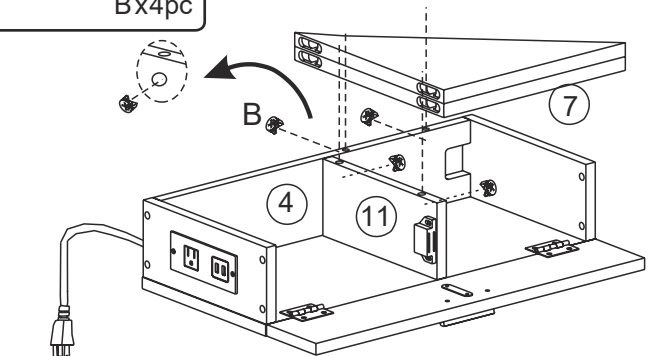
Step 8



8: Fix the fitting "Q" on 9 through screw "H".

Please take the plug out of the hole at 4.

Step 9



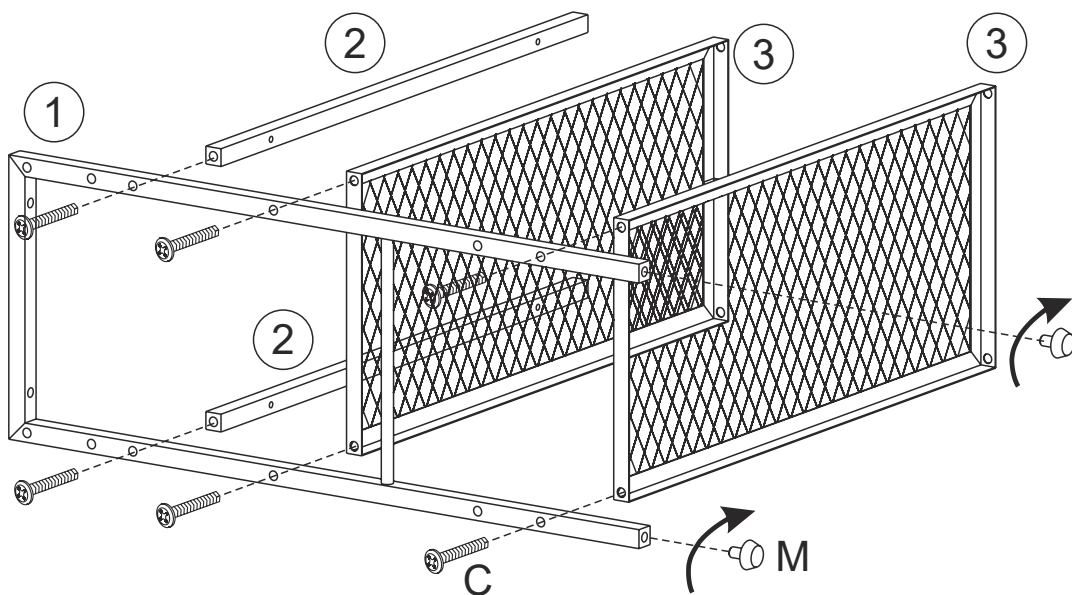
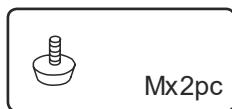
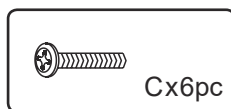
9.1: Press part "B" from the back of 4 into the hole.

9.2: Press part "B" from the right side of 11 into the hole.

9.3: Align the screws assembled on 7 with holes 11 and 4 and press down to fix them.

Note the correct installation direction of part "B" : the arrow points upwards. Wrong direction, can't press down to fix.

Step 10

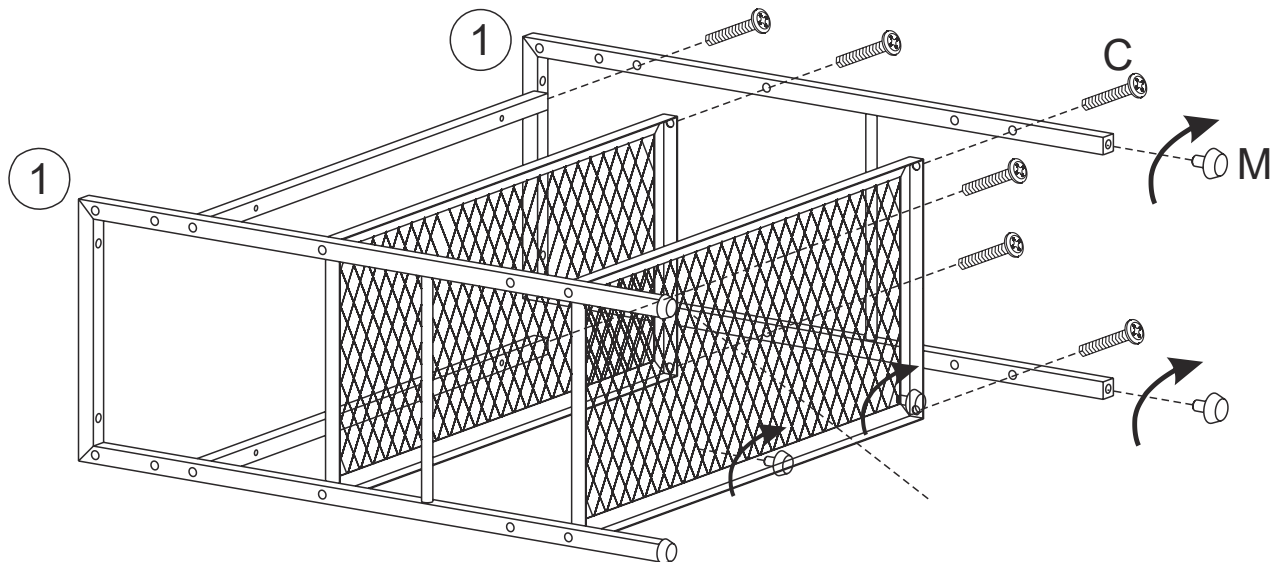


10: Fix 2 and 3 to 1 with screw "C".

1 The hole position at the bottom is for you to choose the installation height according to your requirements.

Assembly Instructions

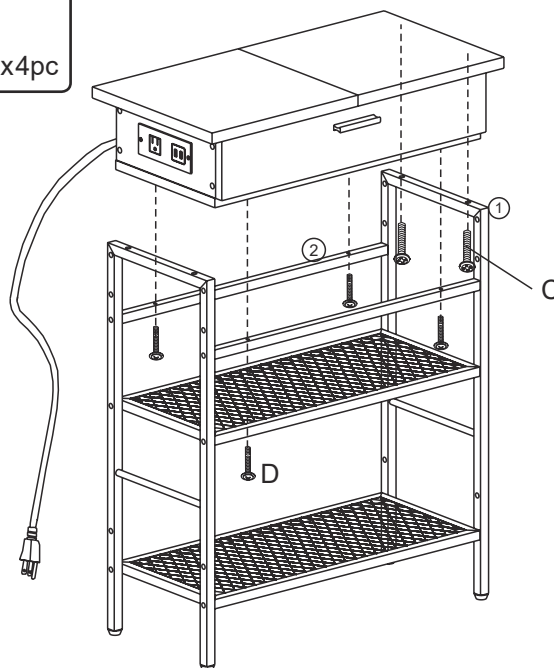
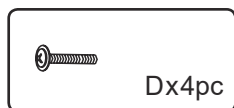
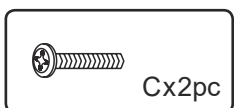
Step 11



11.1: The other 1 is assembled in the same way as the previous step.

11.1: The fitting "M" is fixed at the bottom of 1 by rotating.

Step 12

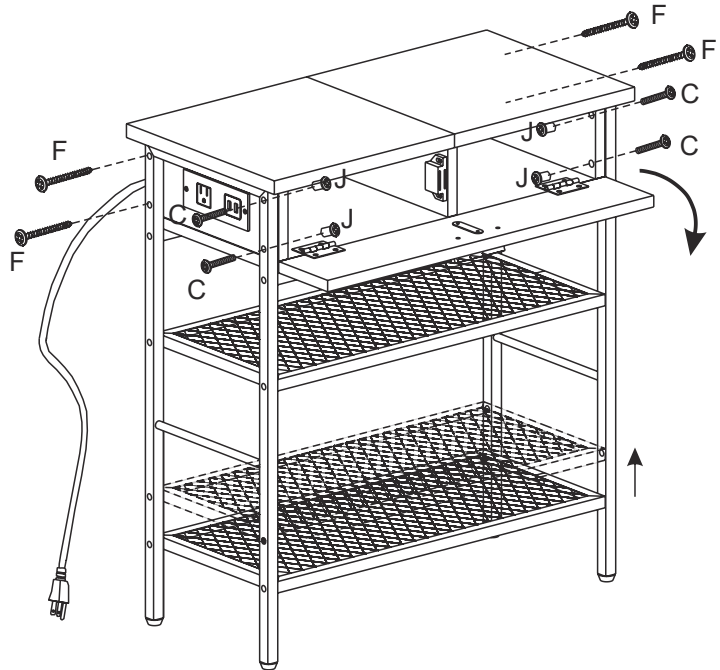
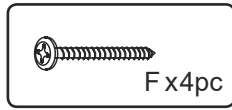
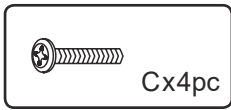


12.1: Fix drawer to 2 with screw "D".

12.1: Fasten drawer to 1 with screw "C". Since the drawer lid on the left can be flipped open, this only needs to be secured on the right.

Assembly Instructions

Step 13

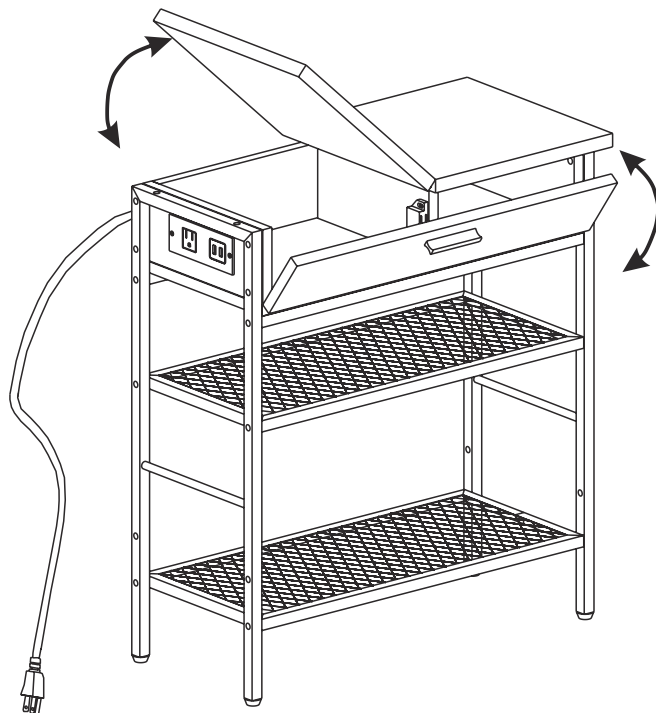


13.1: Fix screw "F" on the two holes at the rear top of 1.

13.2: Fix screw "C" on the two holes at the top of the front of 1.

13.3: Fix screw "J" on the front inner hole of 1.

Step 14



14: There are two ways to open a finished product. As shown above.



Safety Notes and Care Advice

Important – Please read these instructions fully before starting assembly

Check that if you have all the components and tools listed on the front cover and pages 2.

Remove all fittings from the plastic bags and separate them into their groups.

Keep children and animals away from the work area, small parts could choke if swallowed.

Make sure you have enough space to layout the parts before starting.

Do not allow your children to stand or climb on or in the drawer. It could make it top-heavy and cause the unit to damage or tip over.

Assemble the item as close to its final position (in the same room) as possible.

Do not place furniture directly in front of radiators, fires or any other source of heat.



Parts of the assembly will be easier with 2 people.

Assemble on a soft level surface to avoid damaging the unit or your floor.

Do not overload the drawers.



Do not use a power drill/screwdriver for inserting screws, as it can cause screws to break or strip.

Dispose of all packaging carefully and responsibly.

General care and maintenance

Clean with mild soap on a damp, soft rag. Rinse and dry thoroughly. Do not use abrasive chemicals for cleaning.

Please check if there are any loose screws on the unit from time to time.

This product should not be discarded with household waste. Take to your local authority waste disposal centre.

Cleaning and care of high gloss surfaces

Regular dusting with a dry cloth will keep your units.

Clean marks with a damp cloth.

Do not allow spillages to stay on the surface.

To remove stubborn stains, wipe with a damp cloth and wash up.

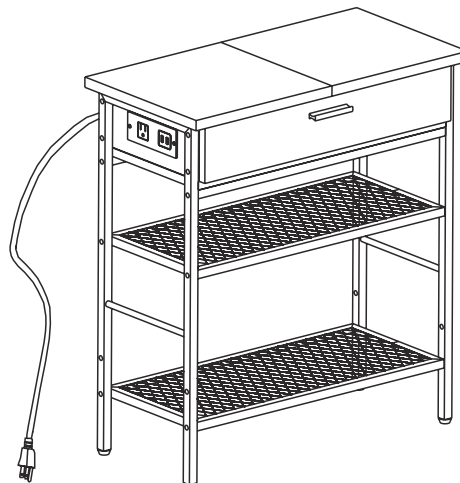
Do not use abrasive cleaners.

Do not clean with products containing the following: Acetone, (e.g. nail varnish remover), Ammonia (e.g. bleach), or Sodium hydroxide (e.g. Caustic soda, drain and oven cleaners).

In the event of accidental contact with aggressive cleaners, rinse thoroughly with water.

To remove stains and small scratches use a car polish or light cutting compound.

Use place mats to protect the surface from moisture and heat.



WARRANTY

Thank you for choosing WASAGUN product. We sincerely hope that you are satisfied with it.

The manufacturer's warranty covers the product for a period of 12 months from the date of purchase against manufacturing faults. All warranties are automatically kept track of in our system, so there is no need to register your product.

Agent/Distributor is welcome to contact us. Email:info@wasagun.com.

Any help or questions during use, please contact us via website www.wasagun.com, send email to info@wasagun.com, we will service you within 24 hours. We suggest to provide a warranty card, a photo or a video if there' s broken spare part or not working machine so that we can be much more clear about your problems and offer you the best solution.



WASAGUN Warranty Card

Item name: _____
Model: _____
Serial No.: _____
Store name: _____
Purchase date: _____
Buyer's name: _____
Email: _____
Address: _____
Tel: _____

Please fill in the table and email it within 10 days from the date of purchase.