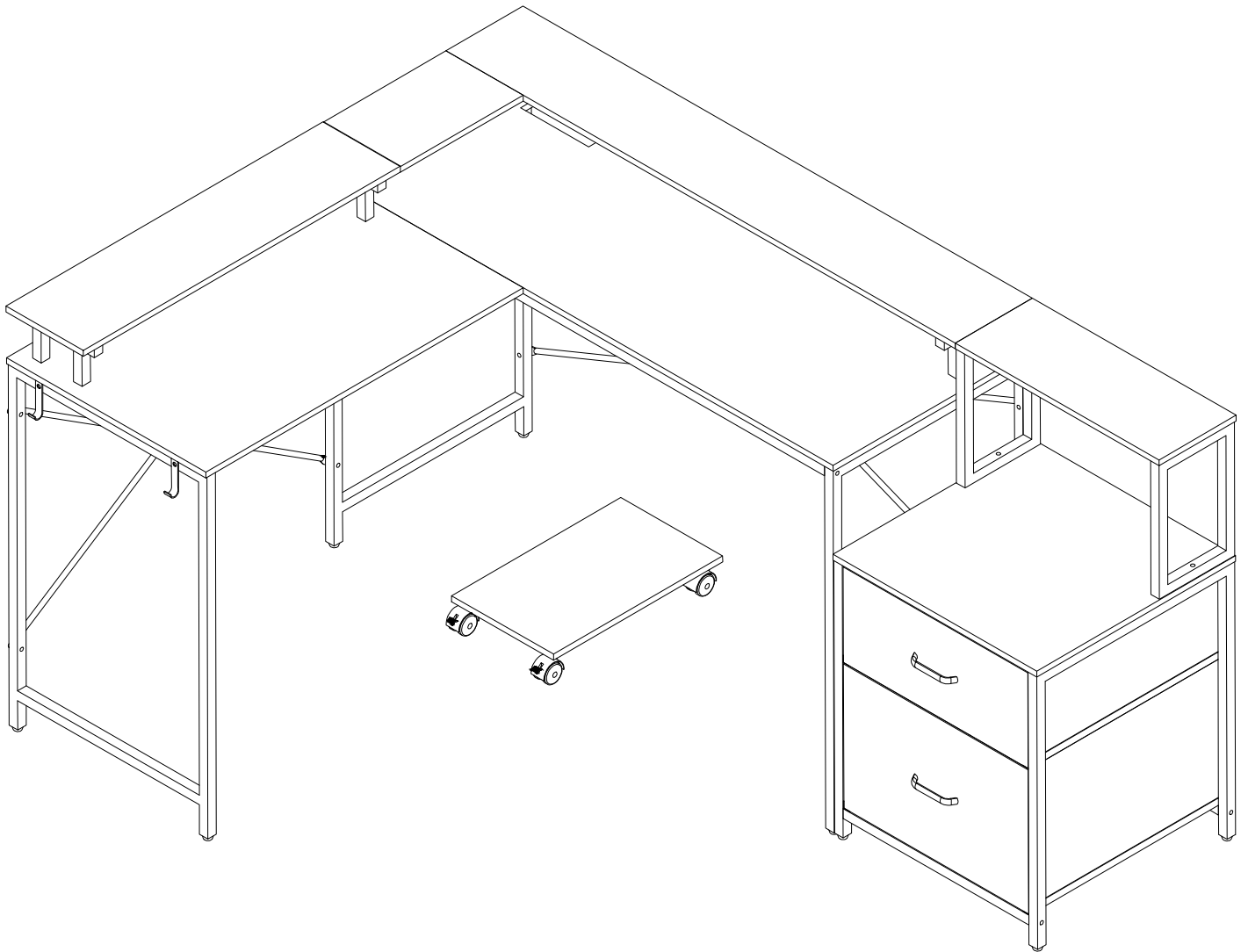


# COMPUTER DESK

Assembly Instructions – Please keep for future reference

SZ002



Scan this QR code to view assembly instruction video.

**Read all instructions before assembly and use.  
KEEP INSTRUCTIONS FOR FUTURE USE.**

If you need assistance or find missing or damaged parts  
in the package, contact us by mail: [info@wasagun.com](mailto:info@wasagun.com)

# WASAGUN

# Important

Please read these instructions fully before starting assembly.

## General Guidelines

- Make sure you have enough space to layout the parts before starting.
- Please read the following instructions carefully and use the product accordingly.
- This summary may not include every detail of all variations and considered steps. Please contact us when further information and help are needed.
- Please keep this manual and hand it over when you transfer the product.

## Notes

- During assembly, align all screws with the corresponding pre-drilled holes first and then tighten them one by one. Inspect the screws regularly. Screws may become loose during long-term use. If necessary, retighten them to ensure stability and security.
- Please avoid long-term exposure to humid environment to prevent mildew.
- Regular dusting with a dry cloth will keep your units.
- Clean marks with a damp cloth.
- Do not allow spillages to stay on the surface.
- To remove stubborn stains, wipe with a damp cloth and washing up.
- Do not use abrasive cleaners.
- Product is intended for indoor use only. It must be assembled and used according to the instructions. The seller does not accept any responsibility for damage or injury resulting from improper assembly or use.

## Warnings

- Avoid sharp objects and corrosive chemicals to prevent damage to the product or bodily injury.
- Keep plastic packing bags out of reach of children to avoid any potential danger, such as suffocation.
- Children are not allowed to assemble the product. During assembly, keep any small part out of reach of children as they may be fatal if swallowed or inhaled.
- Children are not allowed to stand, climb or play on the product to avoid serious bodily injury by the toppling.

MANUFACTURER: GUANGZHOU ZHUOHENG OFFICE FURNITURE CO., LTD

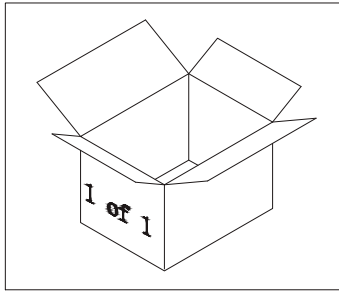
ADD.: NO. 32, GUANGMING ZHONG RD, BAIYUN DISTRICT, GUANGZHOU CITY, GUANGDONG, CHINA

CONTACT: CARL TEL: +1 (838) 910-8241 E-MAIL: INFO@WASAGUN.COM

# Components

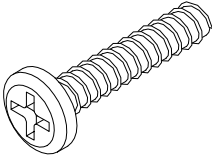
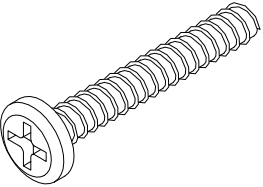
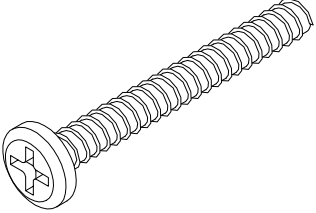
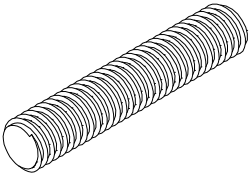
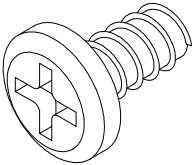
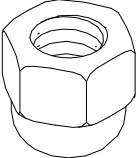
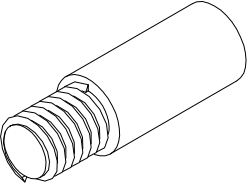
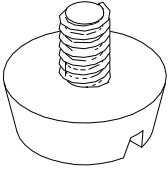
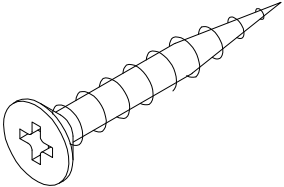
If you need assistance or find missing or damaged parts in the package, contact us by mail: [info@wasagun.com](mailto:info@wasagun.com)

Please check all parts below under a good condition before you install the Computer Desk.



### Tips:

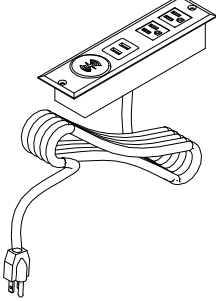
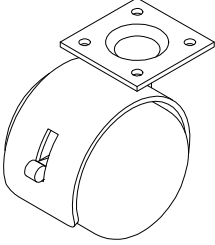
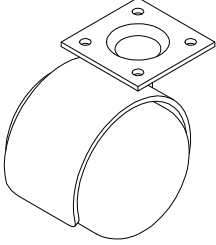

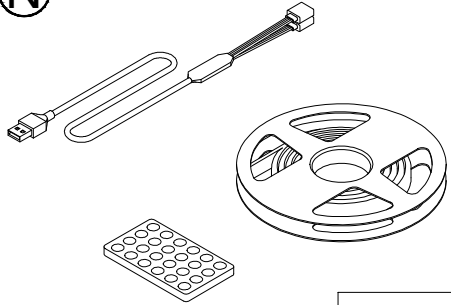
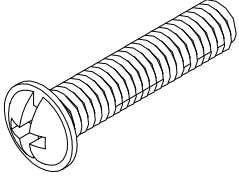
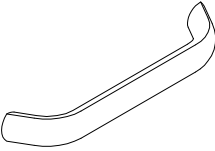
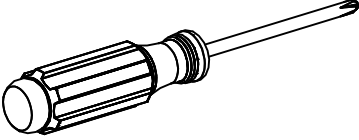
1. The number of screws refers to the screws actually needed, but we will add some more screws as reserve.
2. Some holes are not predrilled, it is recommended to use electric screwdriver.
3. If some hole don't match so that some screws cannot be inserted, you could loosen the other screws also on this board slightly, insert those screws and then you could tighten all screws easily.

<p>Ⓐ</p>  <p>M6x28</p> <p>46 PC</p>	<p>Ⓑ</p>  <p>M6x40</p> <p>12 PC</p>	<p>Ⓒ</p>  <p>M6x60</p> <p>2 PC</p>
<p>Ⓓ</p>  <p>M6x30</p> <p>1 PC</p>	<p>Ⓔ</p>  <p>M6x10</p> <p>6 PC</p>	<p>Ⓕ</p>  <p>M6</p> <p>16 PC</p>
<p>Ⓖ</p>  <p>M4</p> <p>6 PC</p>	<p>Ⓗ</p>  <p>M8</p> <p>10 PC</p>	<p>Ⓖ</p>  <p>3.5x12</p> <p>18 PC</p>

# Components

If you need assistance or find missing or damaged parts in the package, contact us by mail: [info@wasagun.com](mailto:info@wasagun.com)

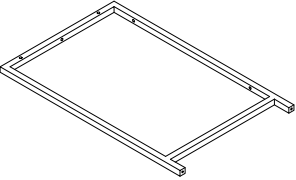
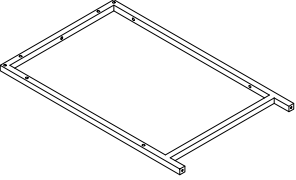
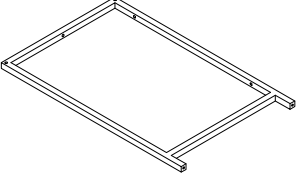
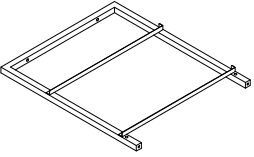
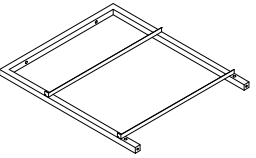
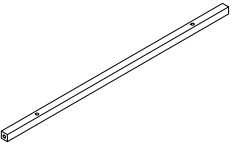
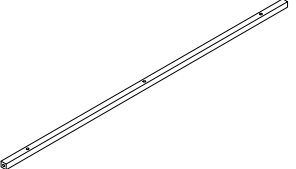
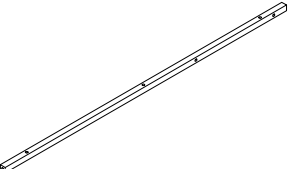
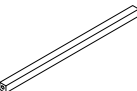
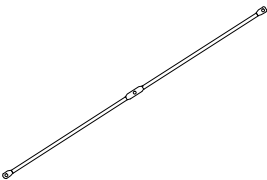
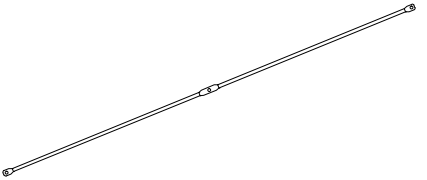
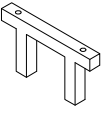

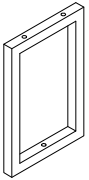
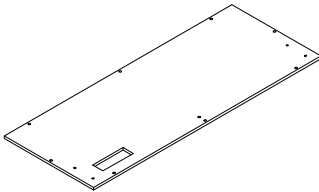
Please check all parts below under a good condition before you install the Computer Desk.

<p>ⓐ</p>  <p>1 PC</p>	<p>ⓑ</p>  <p>2 PC</p>	<p>ⓒ</p>  <p>2 PC</p>
<p>ⓓ</p>  <p>2 PC</p>	<p>ⓔ</p>  <p>1 PC</p>	<p>ⓕ</p>  <p>M4x5</p> <p>4 PC</p>
<p>ⓖ</p>  <p>2 PC</p>	<p>ⓗ</p>  <p>TOOL</p>	

# Components

If you need assistance or find missing or damaged parts in the package, contact us by mail: [info@wasagun.com](mailto:info@wasagun.com)

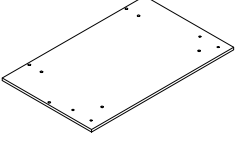
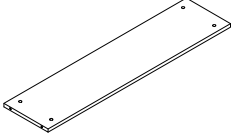
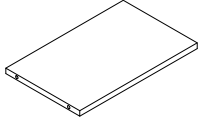
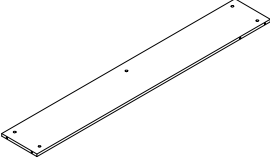
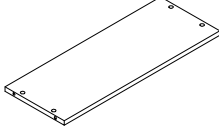
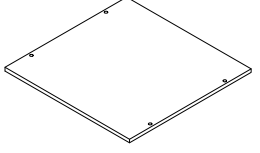
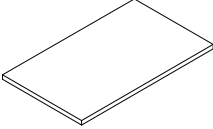
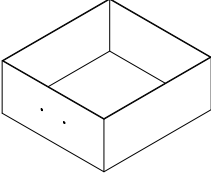
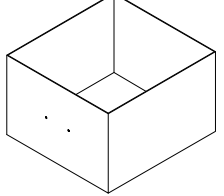
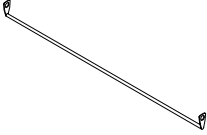
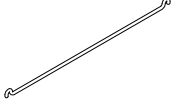
Please check all parts below under a good condition before you install the Computer Desk.

<p>①</p>  <p>1 PC</p>	<p>②</p>  <p>1 PC</p>	<p>③</p>  <p>1 PC</p>
<p>④</p>  <p>1 PC</p>	<p>⑤</p>  <p>1 PC</p>	<p>⑥</p>  <p>3 PC</p>
<p>⑦</p>  <p>1 PC</p>	<p>⑧</p>  <p>1 PC</p>	<p>⑨</p>  <p>2 PC</p>
<p>⑩</p>  <p>2 PC</p>	<p>⑪</p>  <p>2 PC</p>	<p>⑫</p>  <p>4 PC</p>
<p>⑬</p>  <p>1 PC</p>	<p>⑭</p>  <p>2 PC</p>	<p>⑮</p>  <p>1 PC</p>

# Components

If you need assistance or find missing or damaged parts in the package, contact us by mail: [info@wasagun.com](mailto:info@wasagun.com)

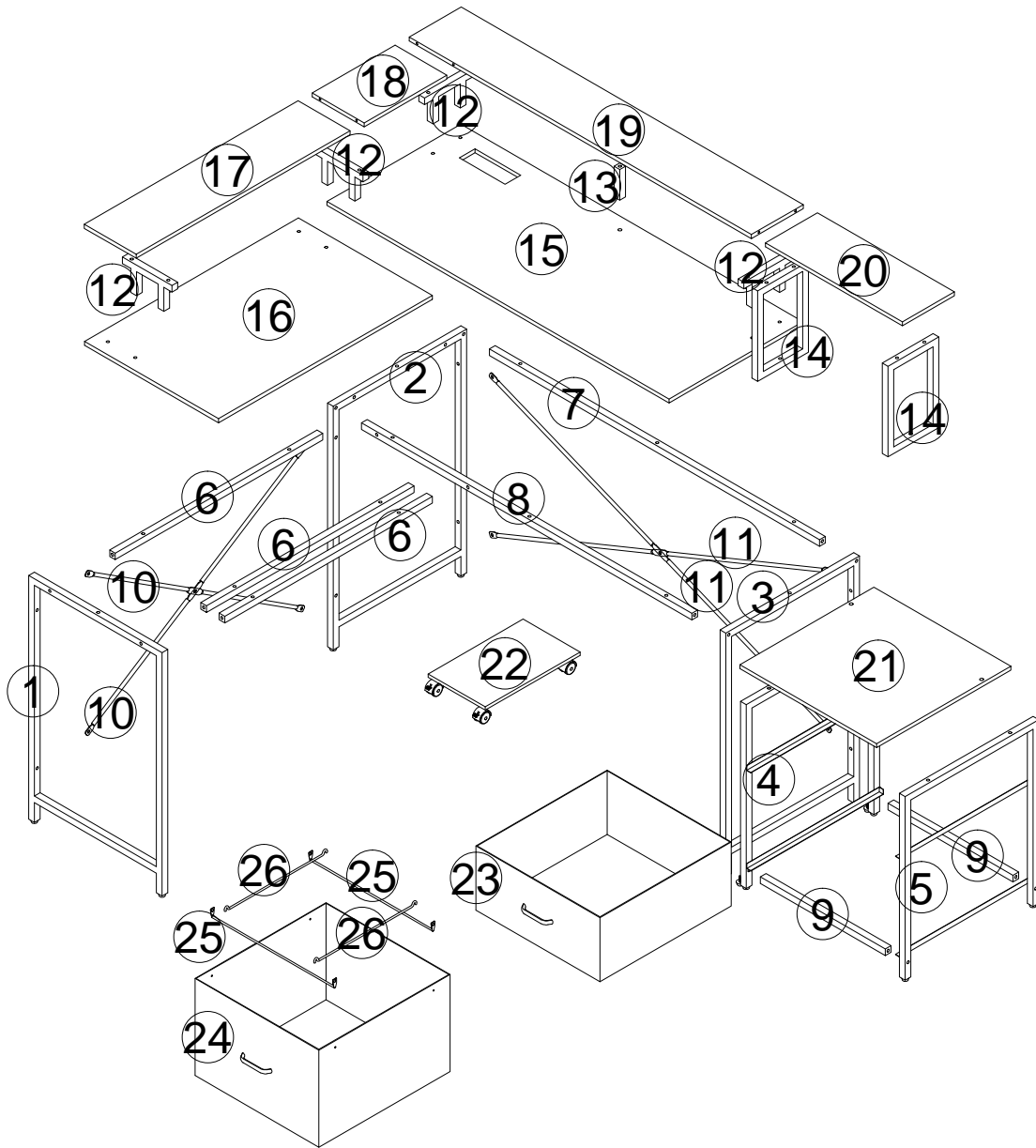
Please check all parts below under a good condition before you install the Computer Desk.

<p>①⑥</p>  <p>1 PC</p>	<p>①⑦</p>  <p>1 PC</p>	<p>①⑧</p>  <p>1 PC</p>
<p>①⑨</p>  <p>1 PC</p>	<p>②⑩</p>  <p>1 PC</p>	<p>②⑪</p>  <p>1 PC</p>
<p>②②</p>  <p>1 PC</p>	<p>②③</p>  <p>1 PC</p>	<p>②④</p>  <p>1 PC</p>
<p>②⑤</p>  <p>2 PC</p>	<p>②⑥</p>  <p>2 PC</p>	

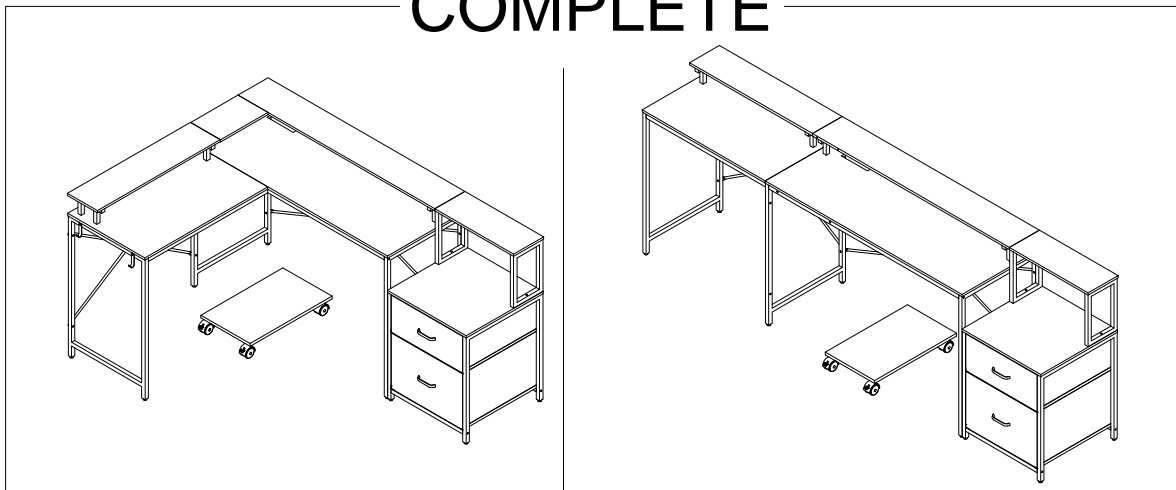
# EXPLODED

If you need assistance or find missing or damaged parts in the package, contact us by mail: [info@wasagun.com](mailto:info@wasagun.com)

Please check all parts below under a good condition before you install the Computer Desk.

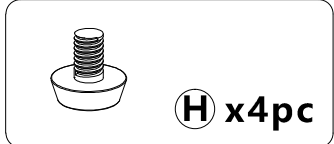
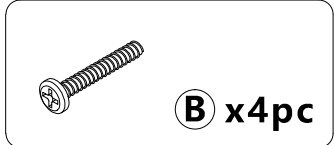
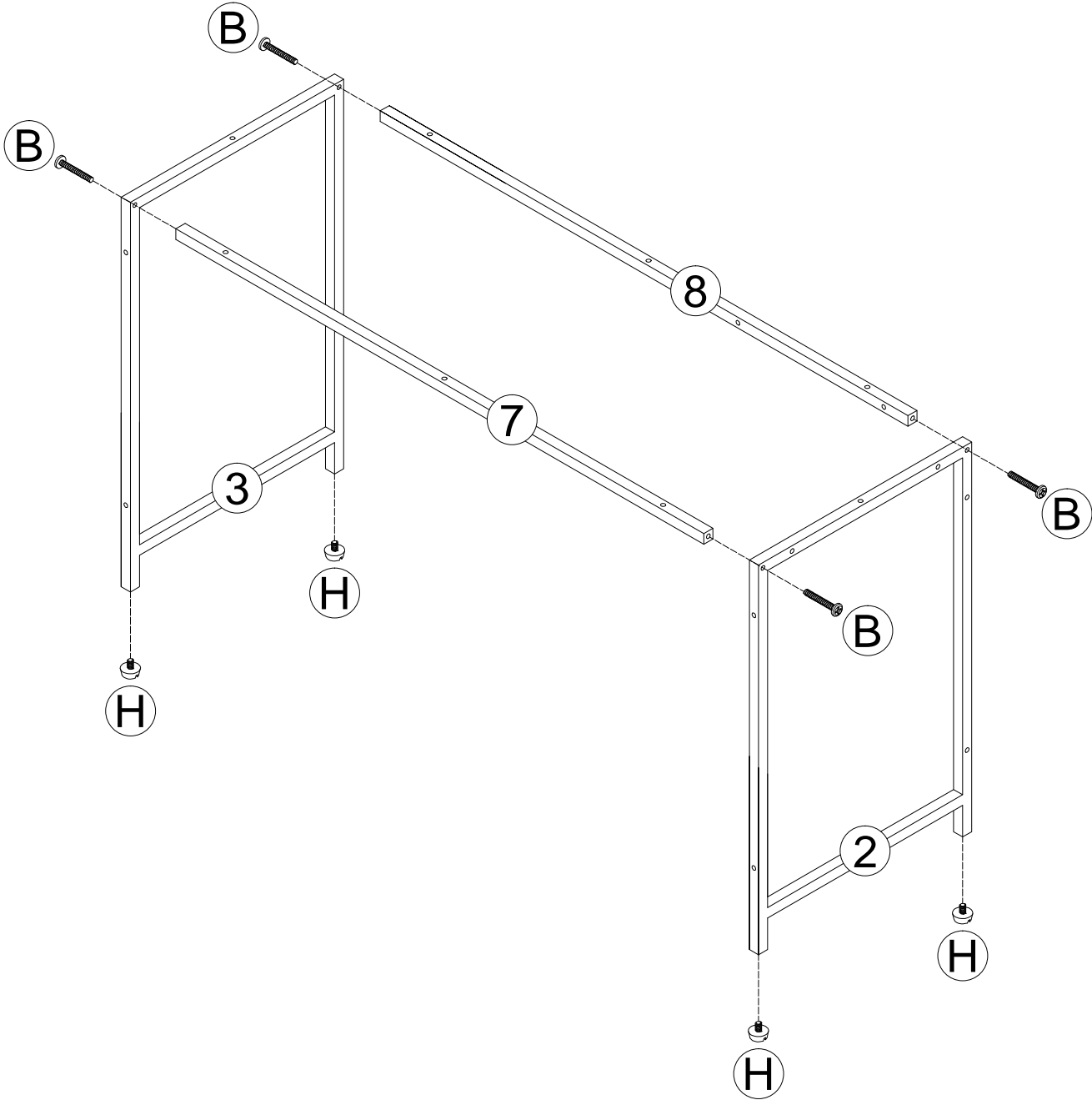


## COMPLETE



# Assembly Instructions

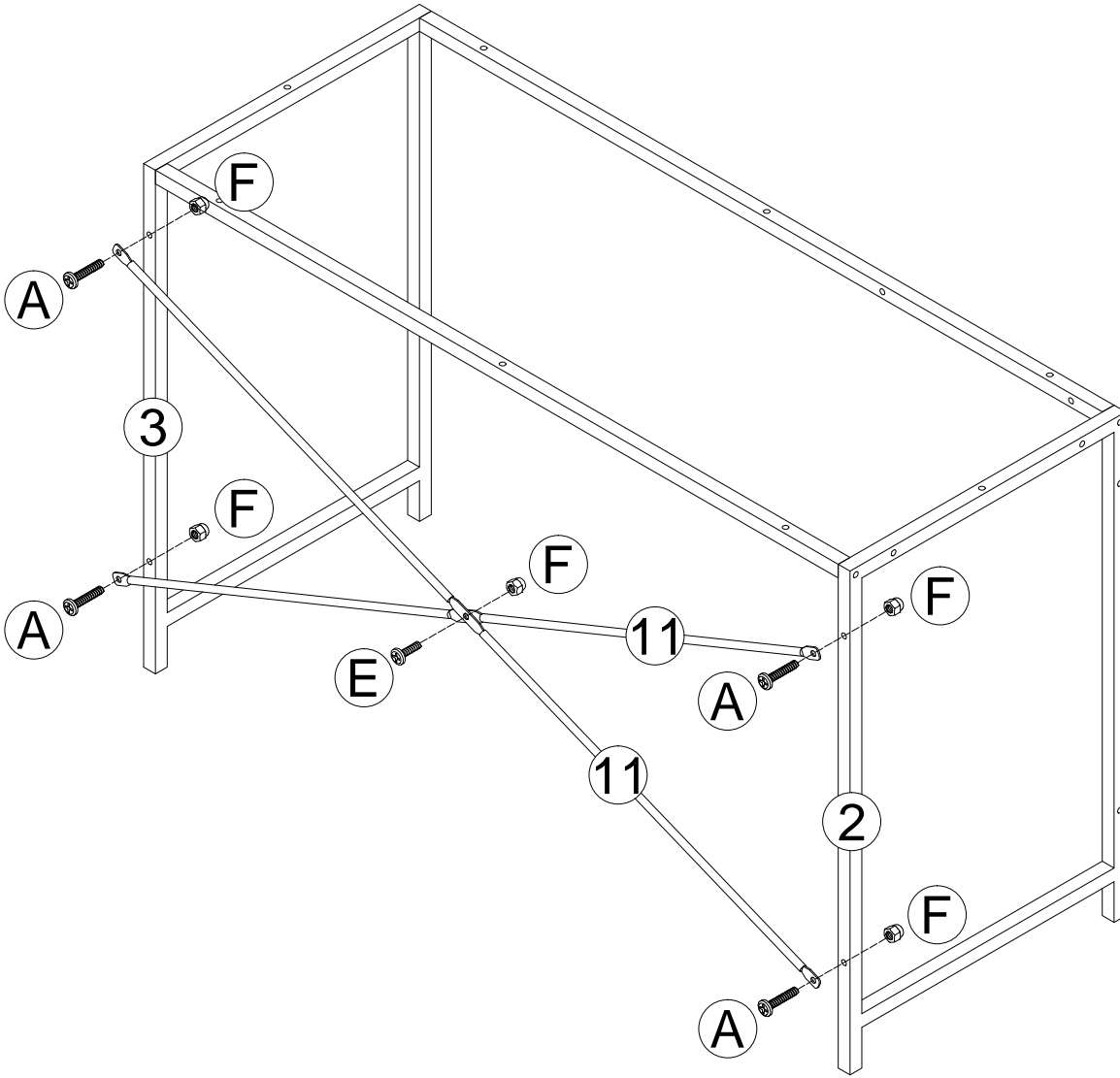
Step 1





# Assembly Instructions

## Step 2



**A** x4pc



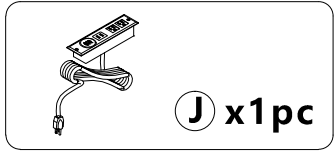
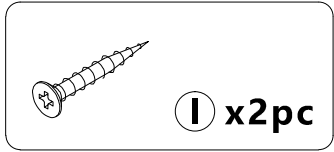
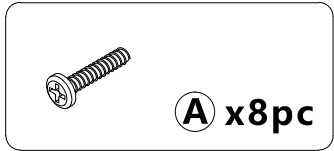
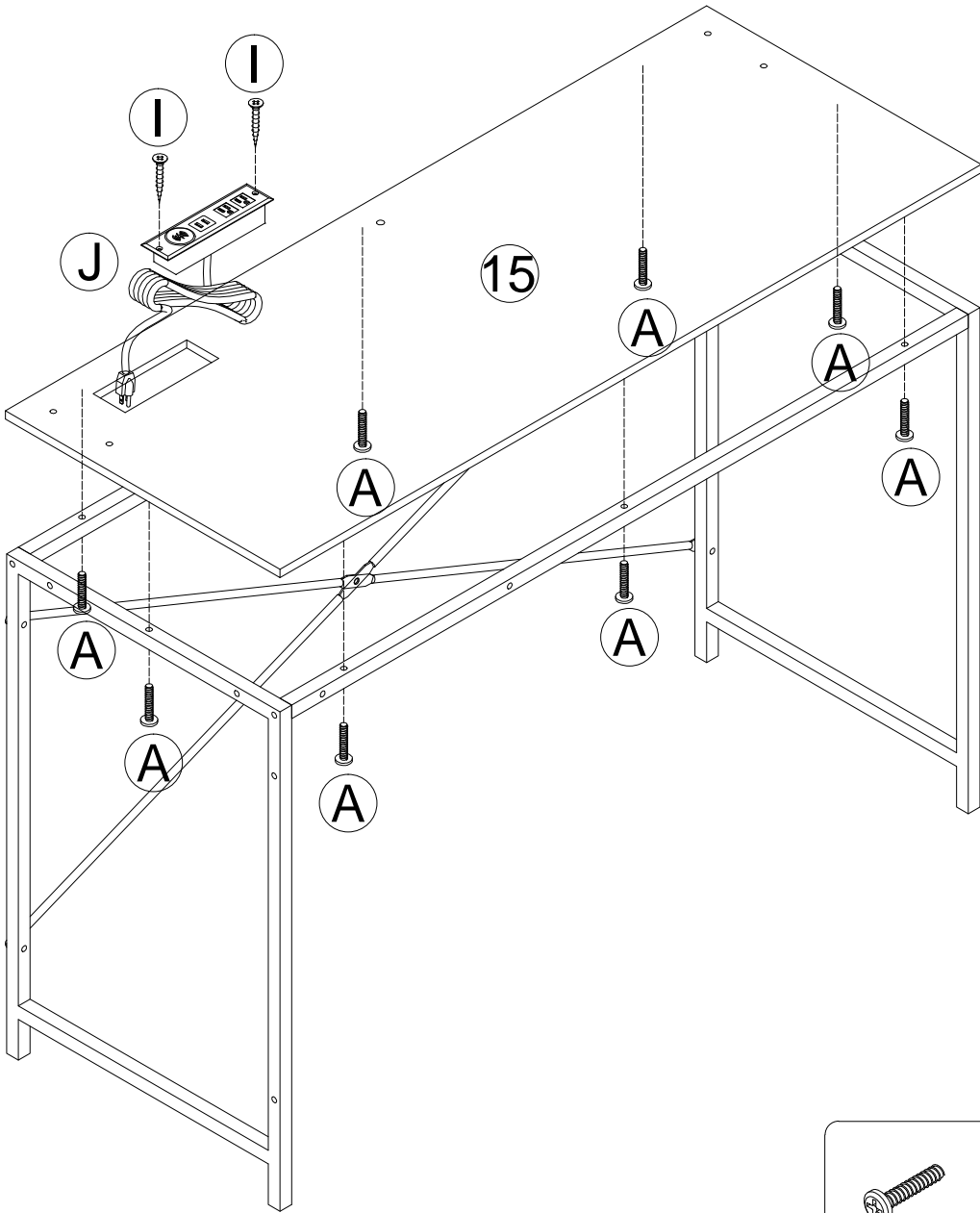
**E** x1pc



**F** x5pc

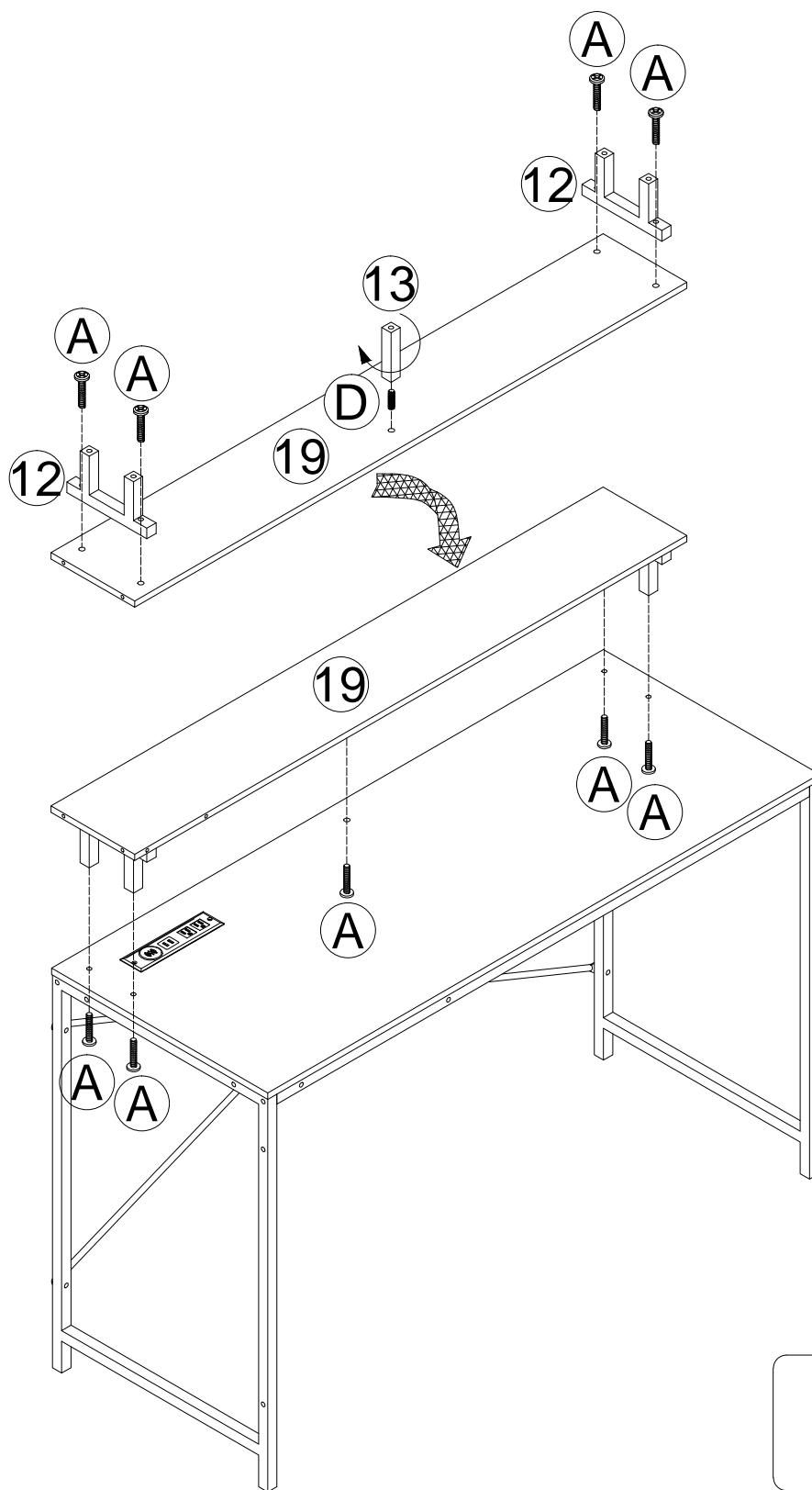
# Assembly Instructions

Step 3



# Assembly Instructions

Step 4



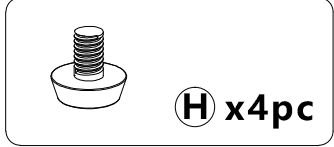
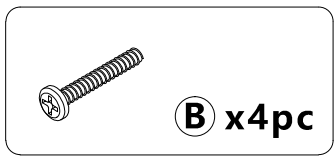
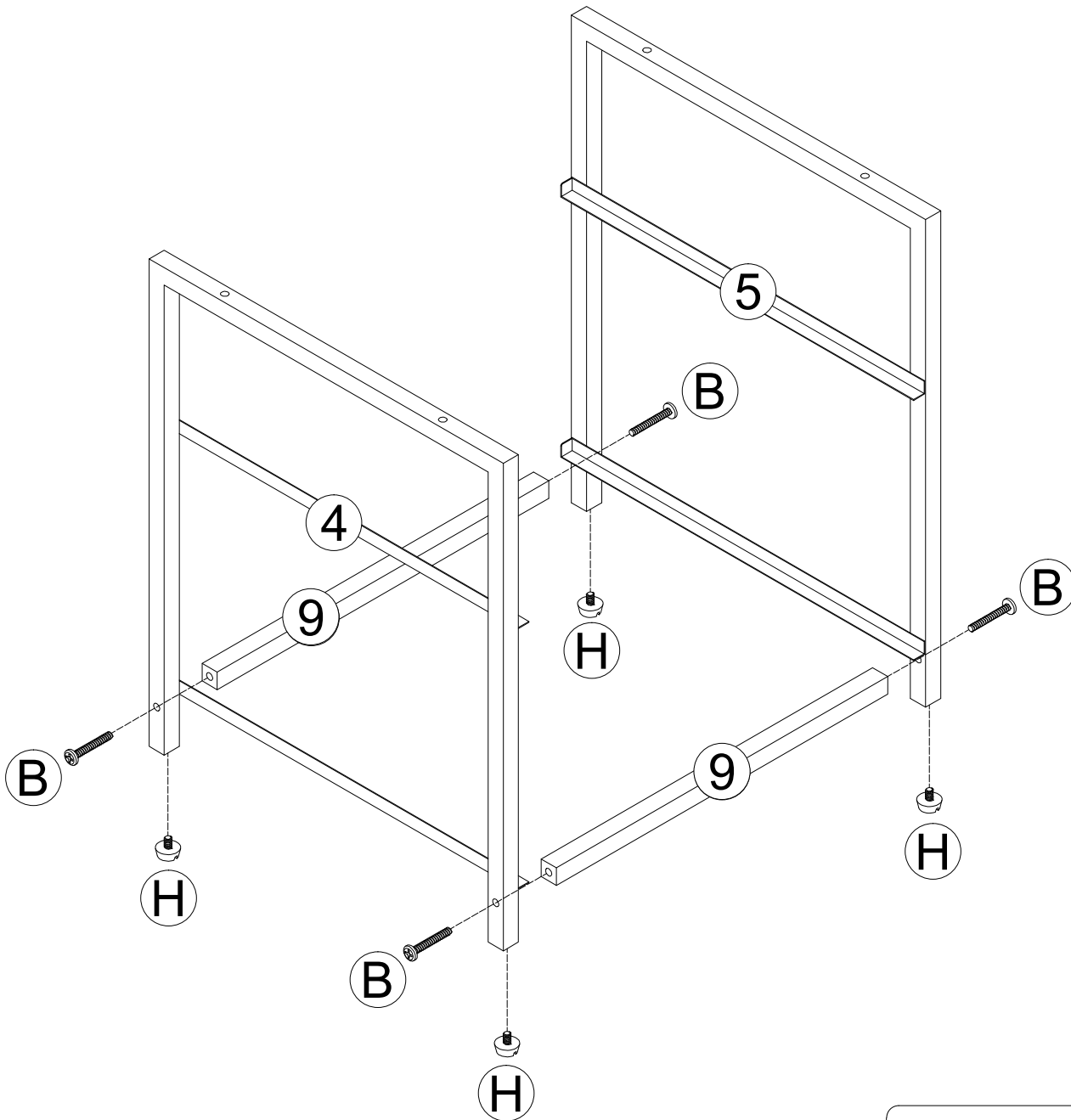
**A** x9pc



**D** x1pc

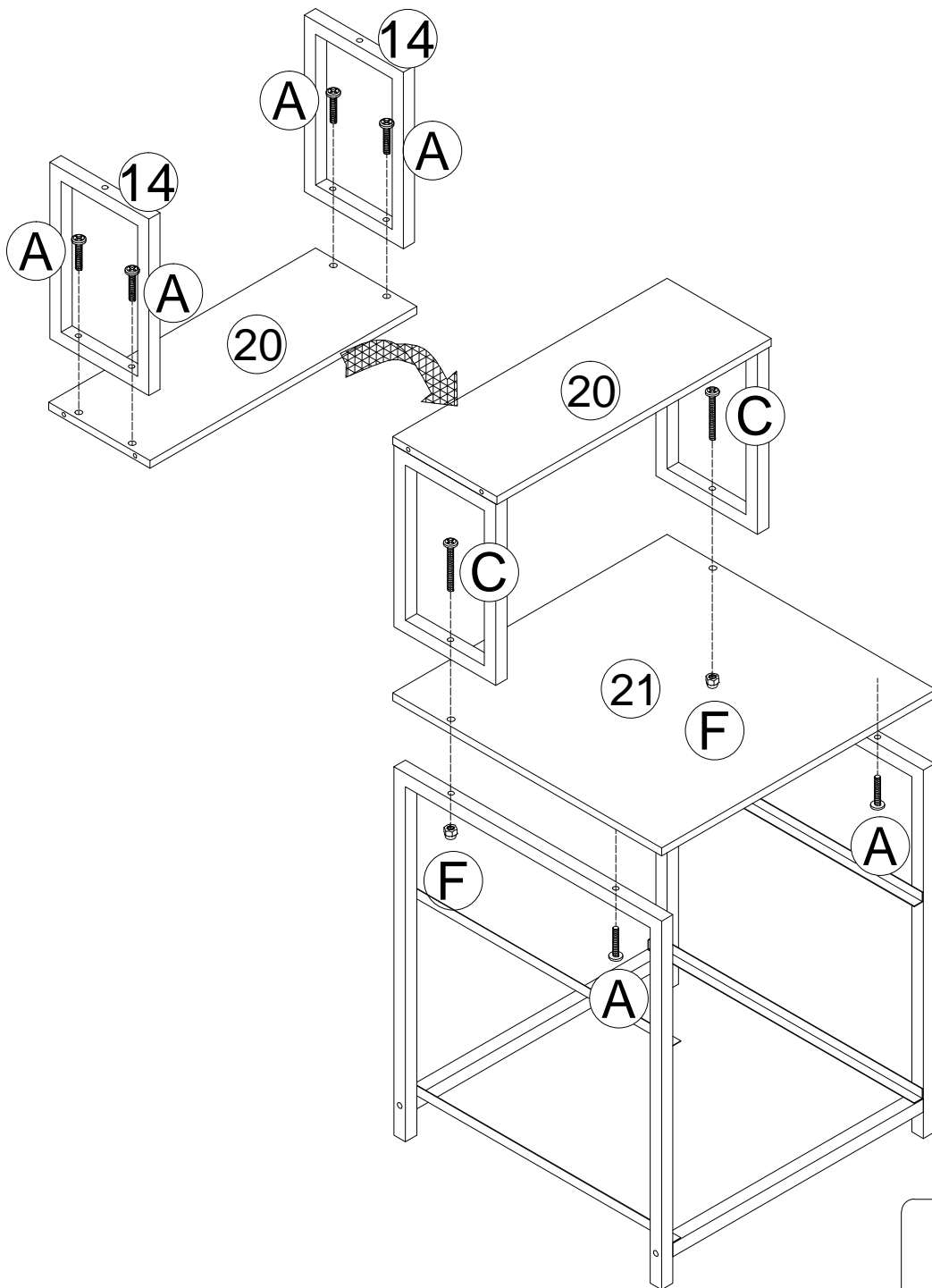
# Assembly Instructions

## Step 5



# Assembly Instructions

## Step 6



**A** x6pc



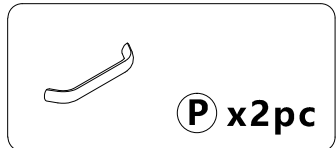
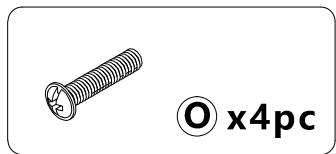
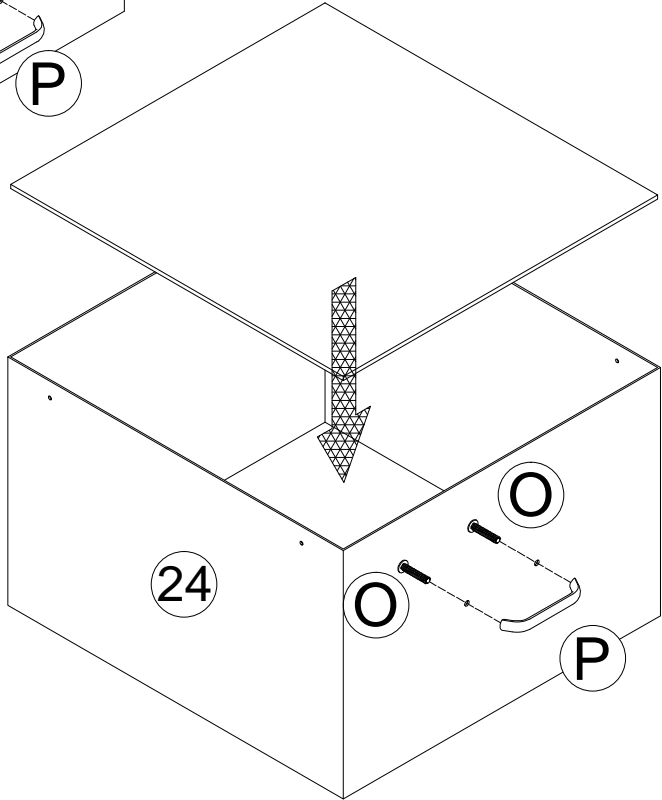
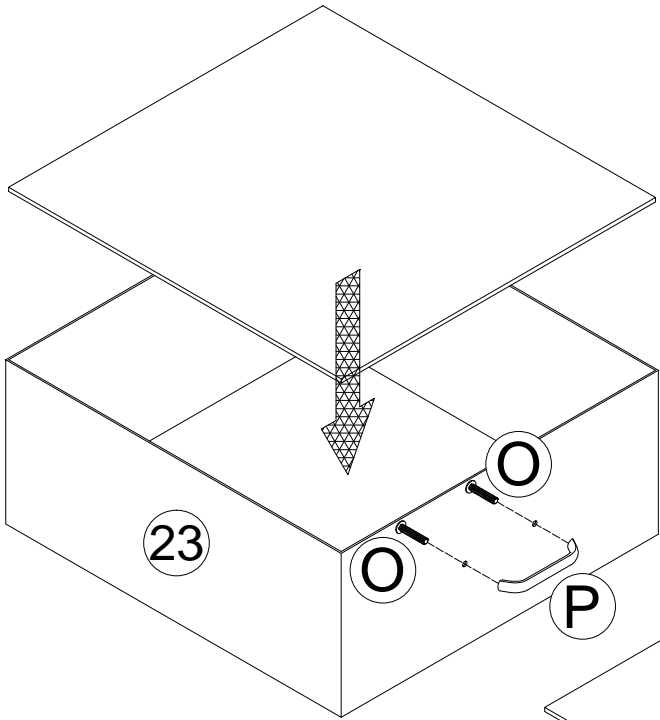
**C** x2pc



**F** x2pc

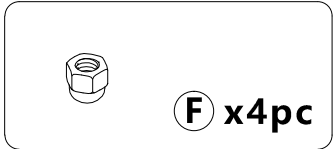
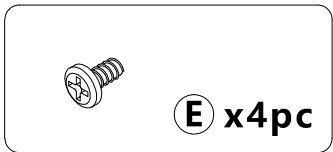
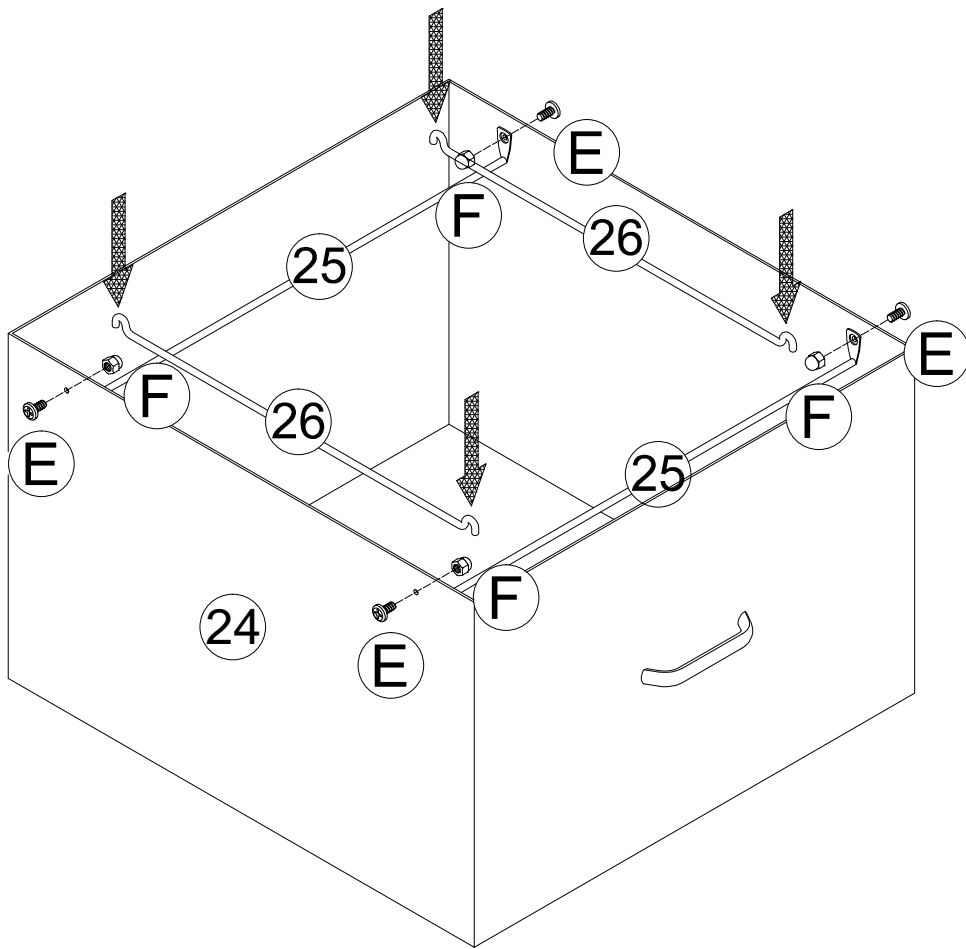
# Assembly Instructions

Step 7



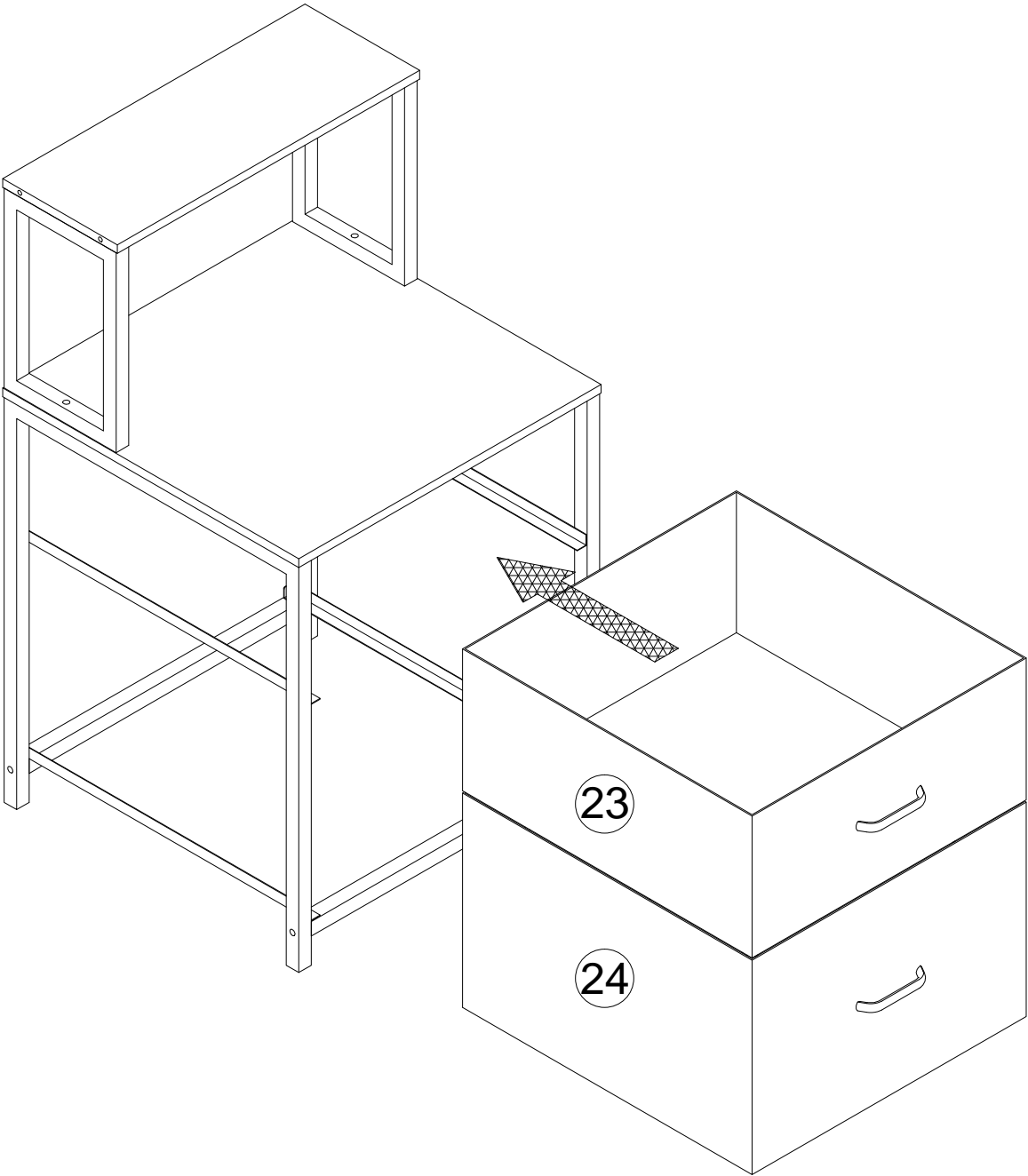
# Assembly Instructions

Step 8



# Assembly Instructions

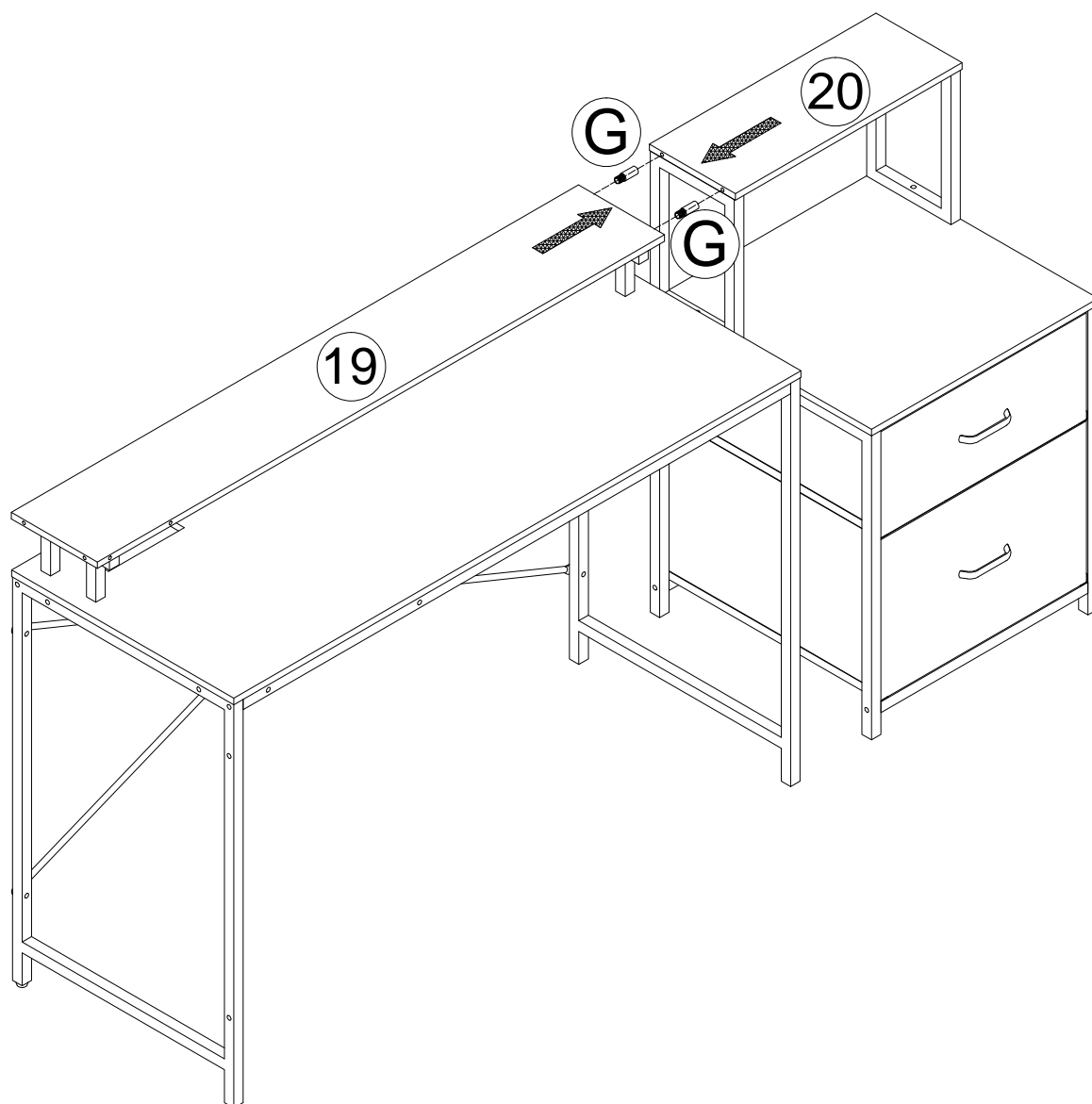
Step 9





# Assembly Instructions

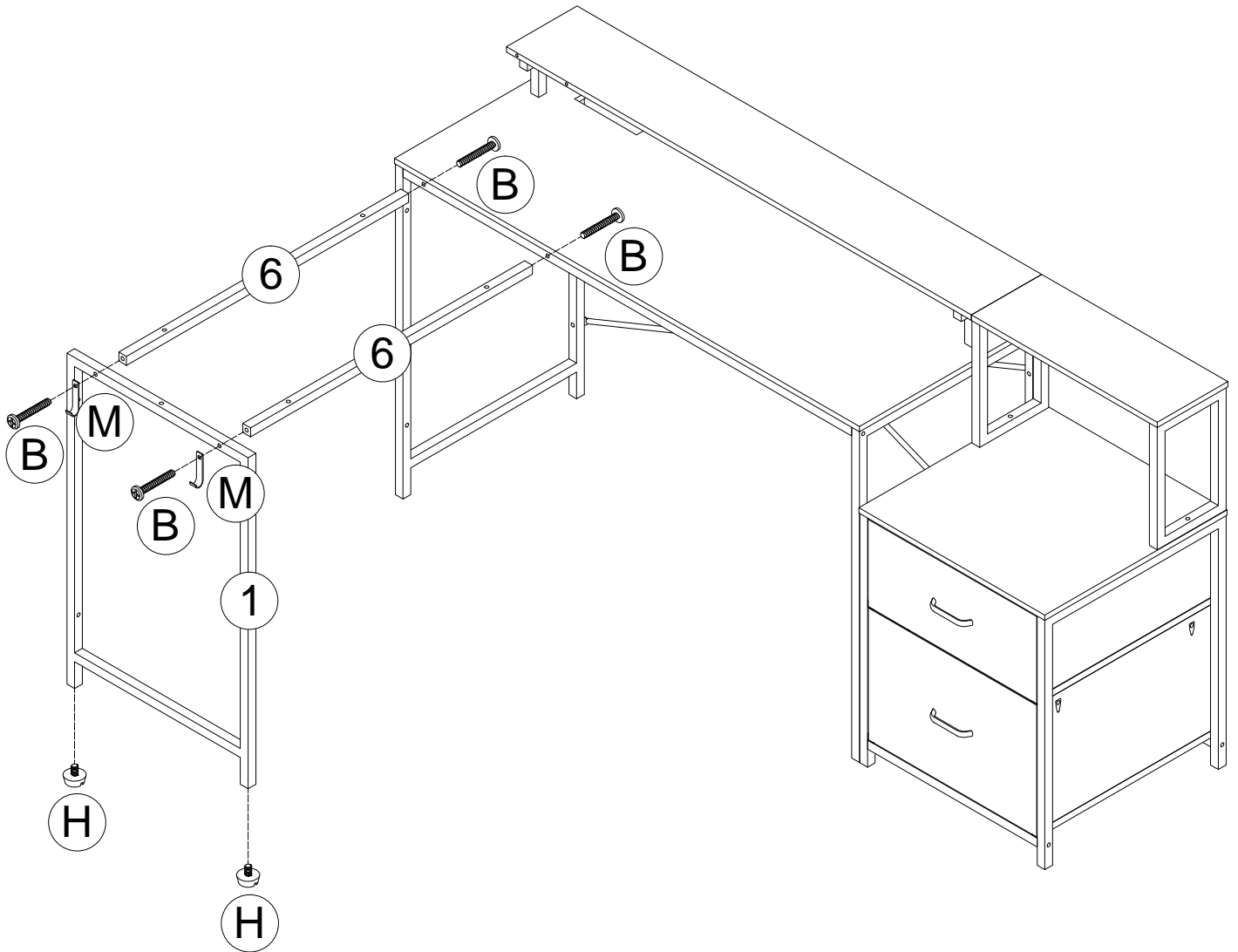
Step 10



**G x2pc**

# Assembly Instructions

Step 11-1



**B** x4pc



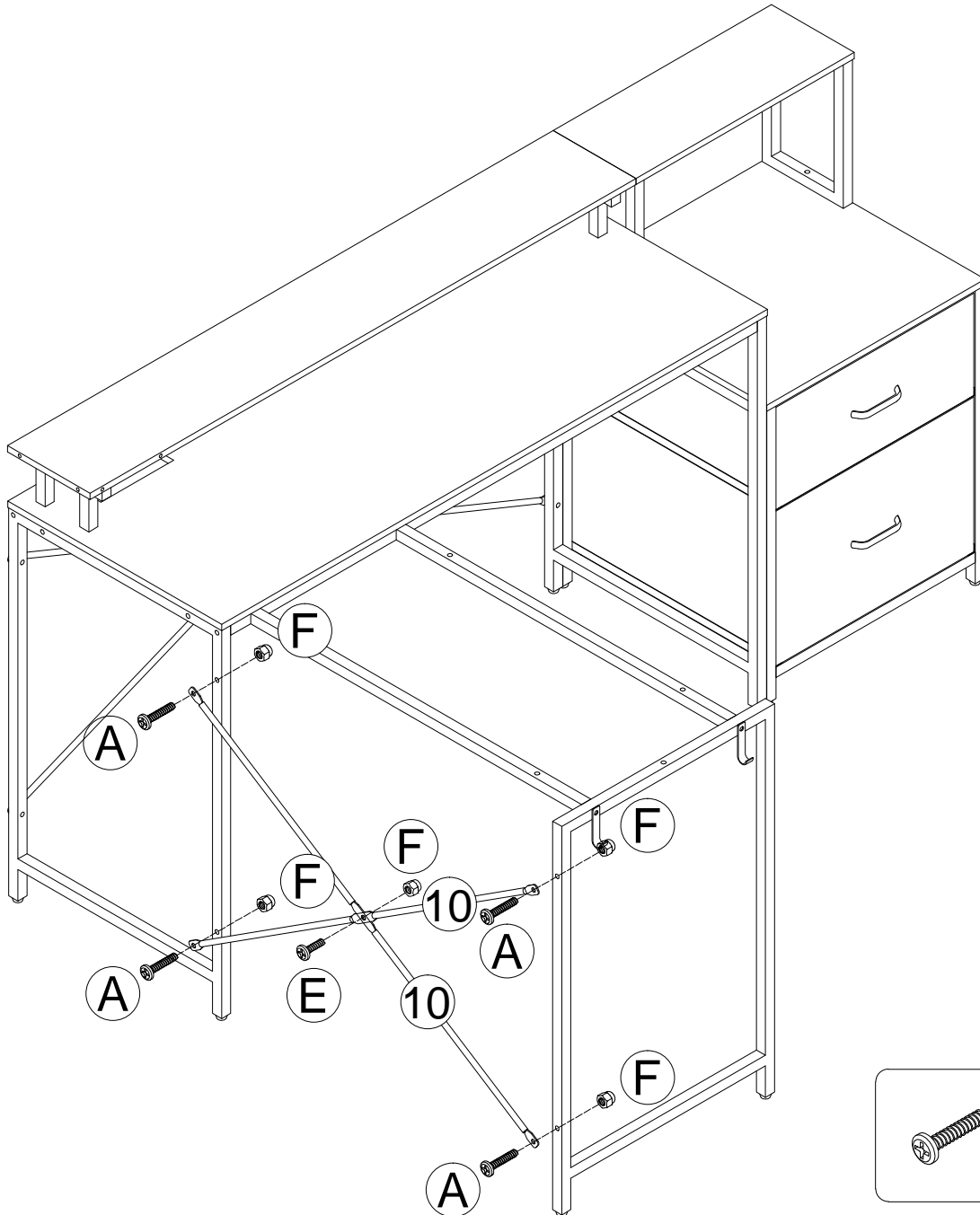
**H** x2pc



**M** x2pc

# Assembly Instructions

Step 12-1



**A** x4pc



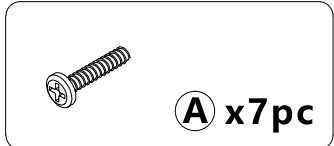
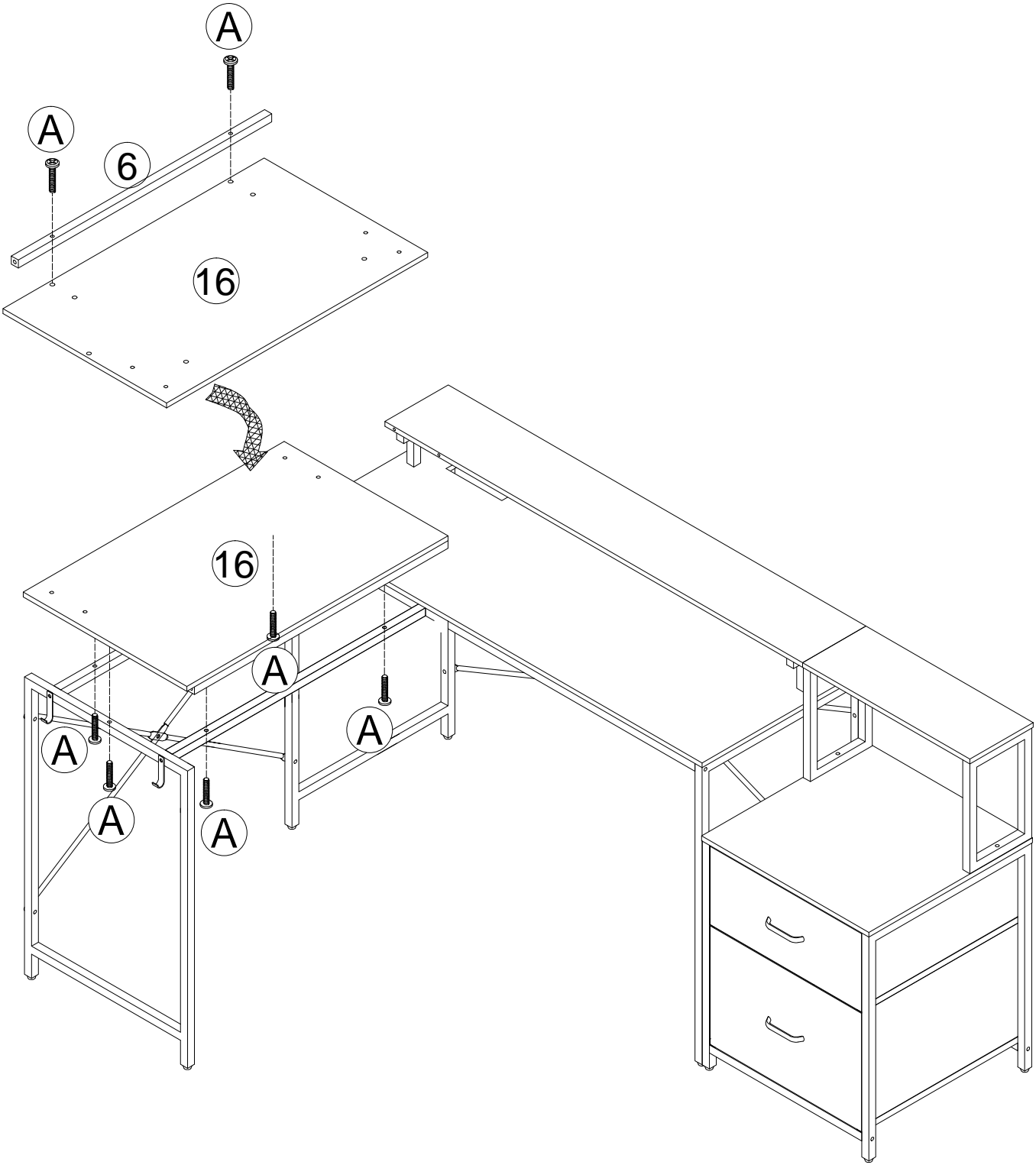
**E** x1pc



**F** x5pc

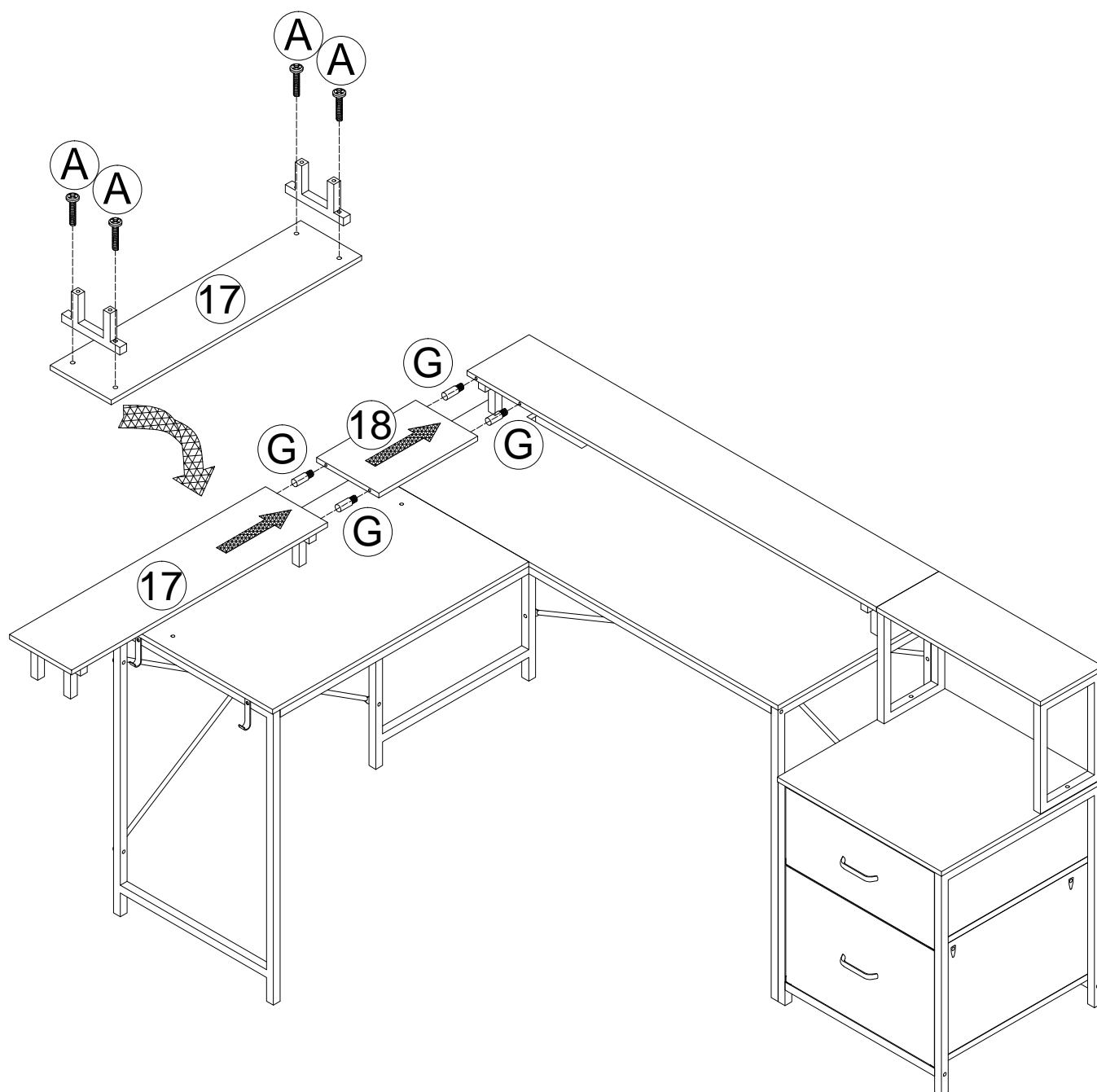
# Assembly Instructions

Step 13-1



# Assembly Instructions

Step 14-1



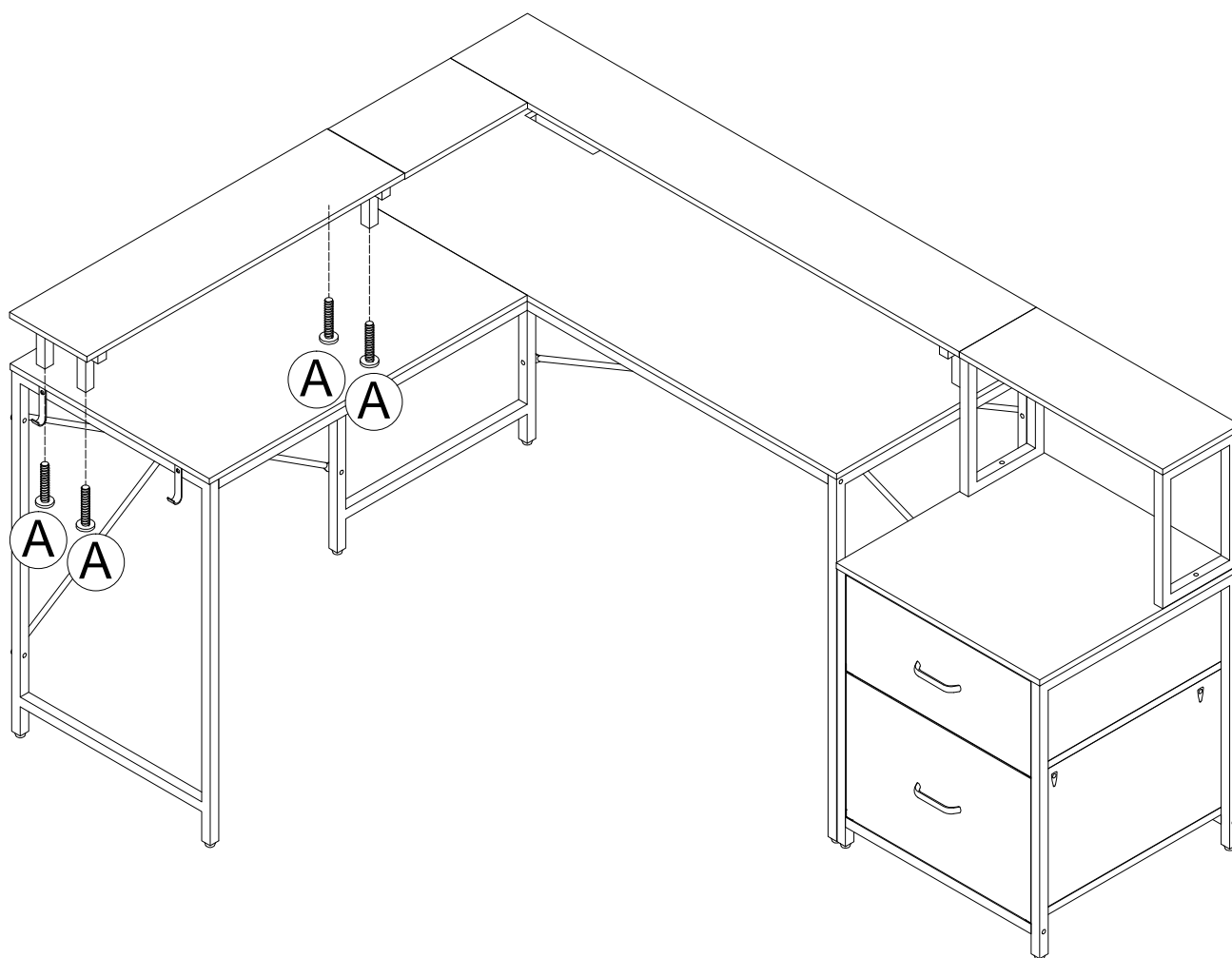
**A** x4pc



**G** x4pc

# Assembly Instructions

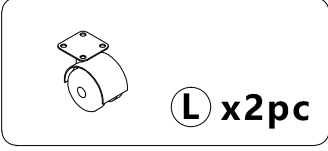
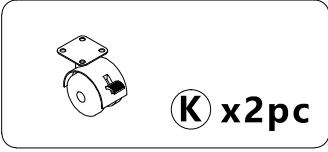
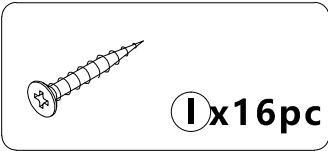
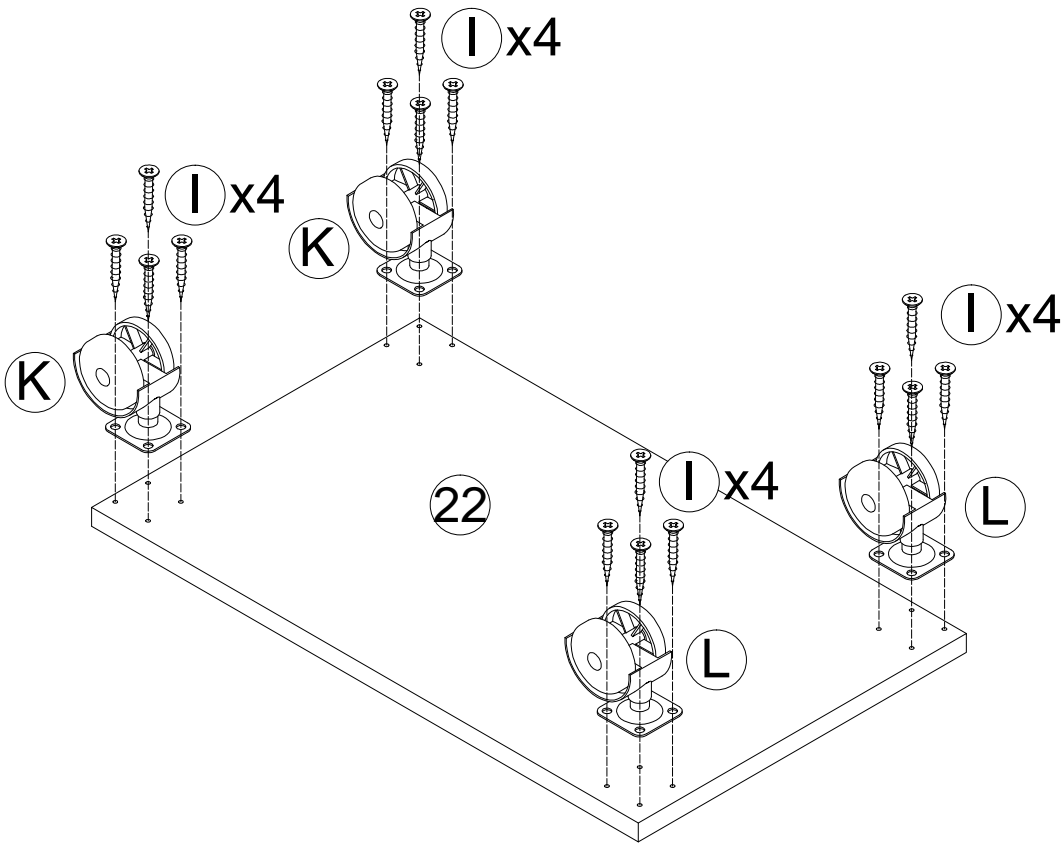
Step 15-1



**A** x4pc

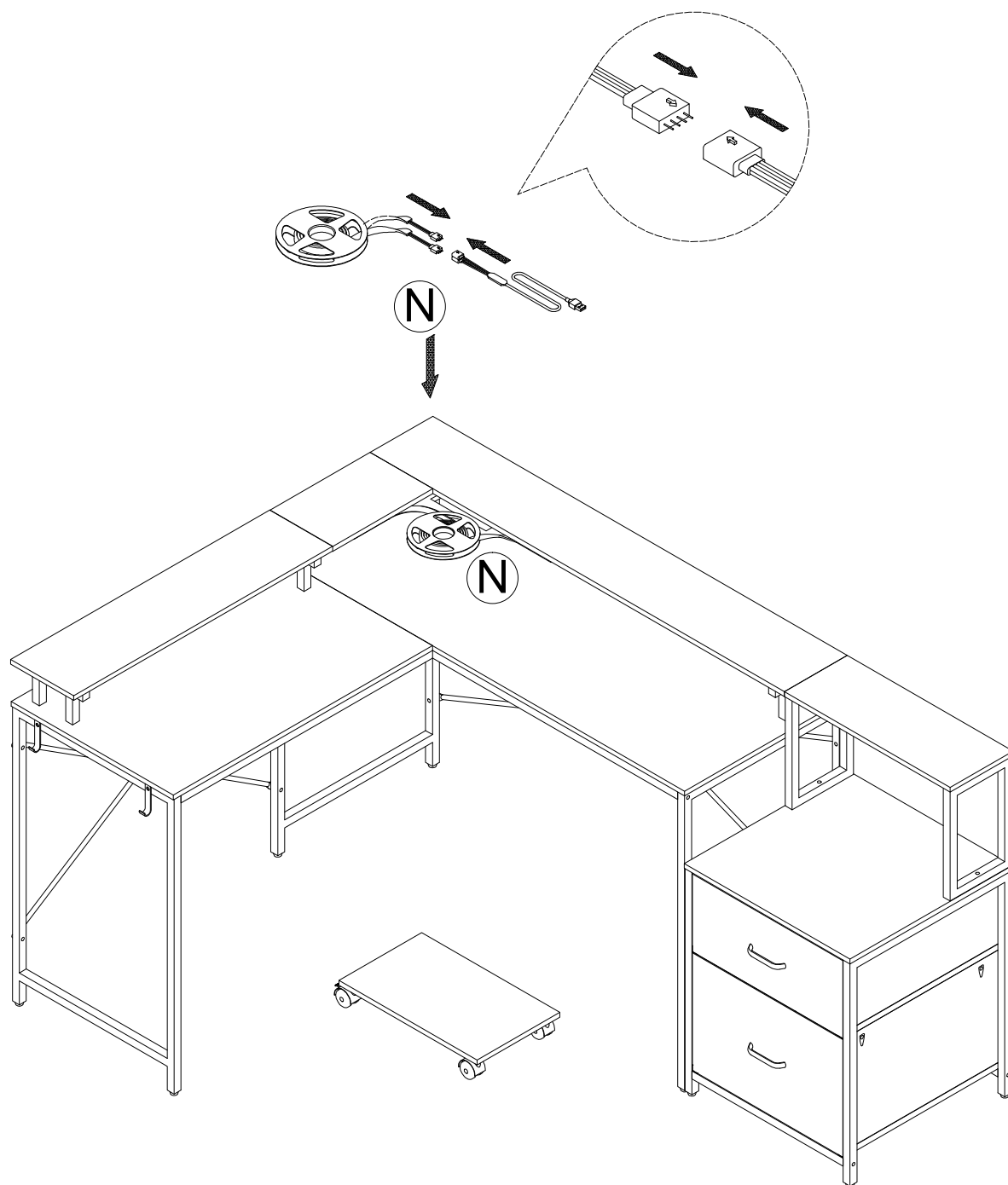
# Assembly Instructions

Step 16-1

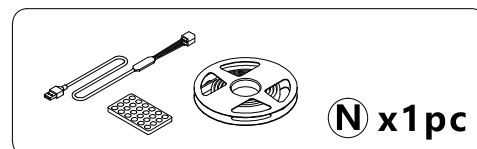


# Assembly Instructions

Step 17-1



OK!

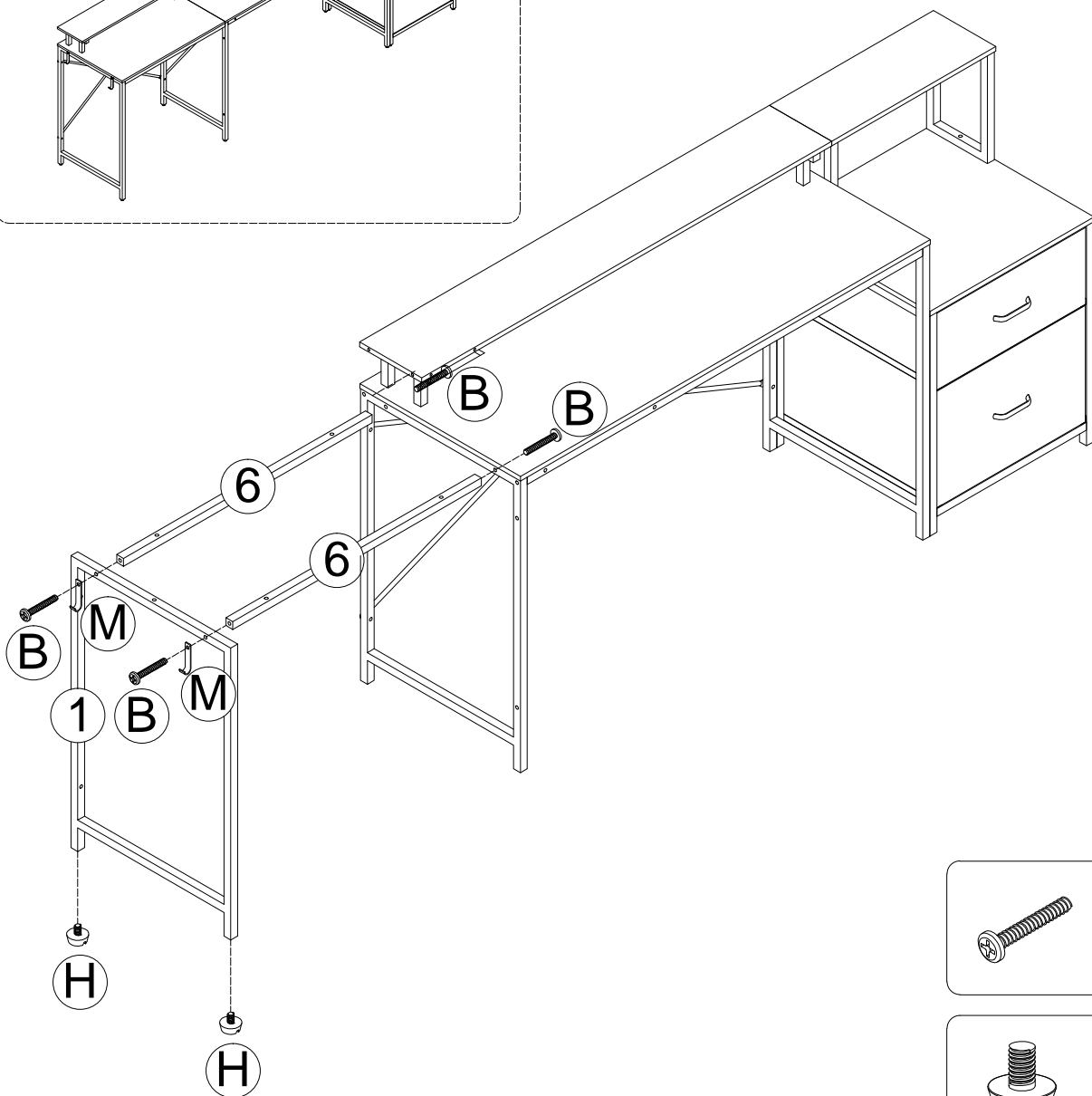
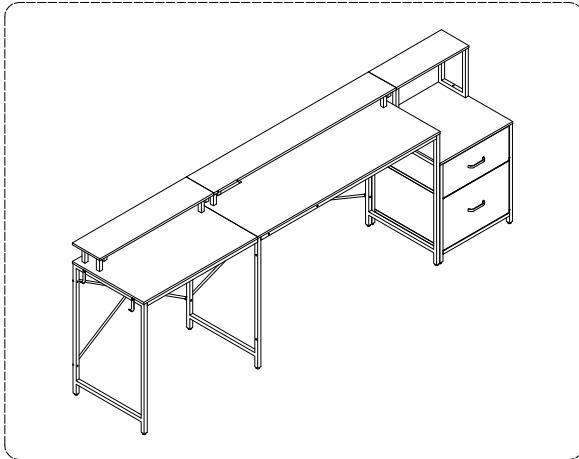




# Assembly Instructions

Step 11-2

One font mode,  
according to page 16 after step 10



**B** x4pc



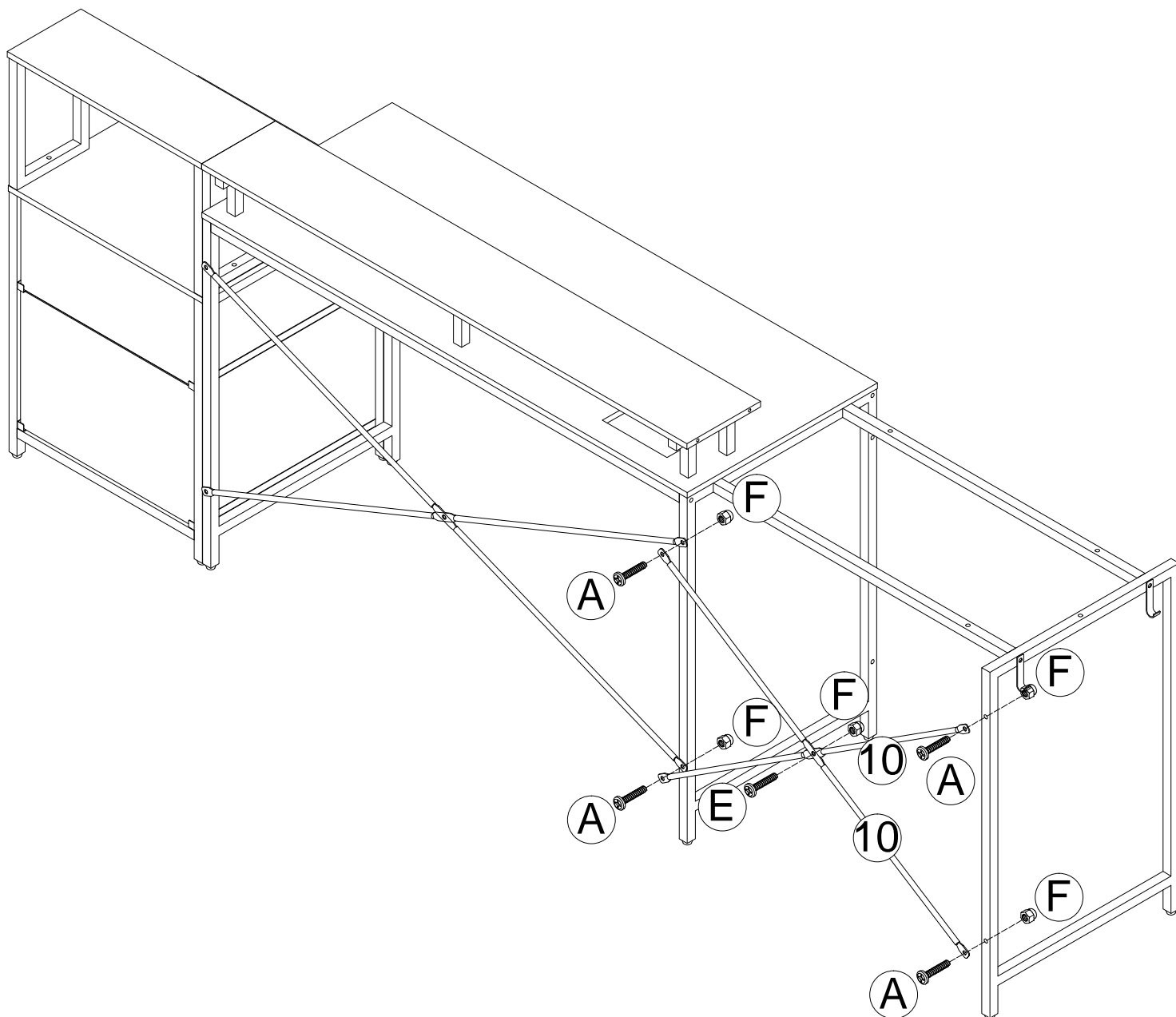
**H** x2pc



**M** x2pc

# Assembly Instructions

Step 12-2



**A** x4pc



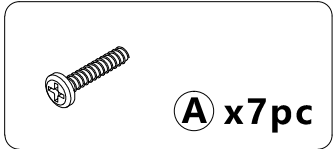
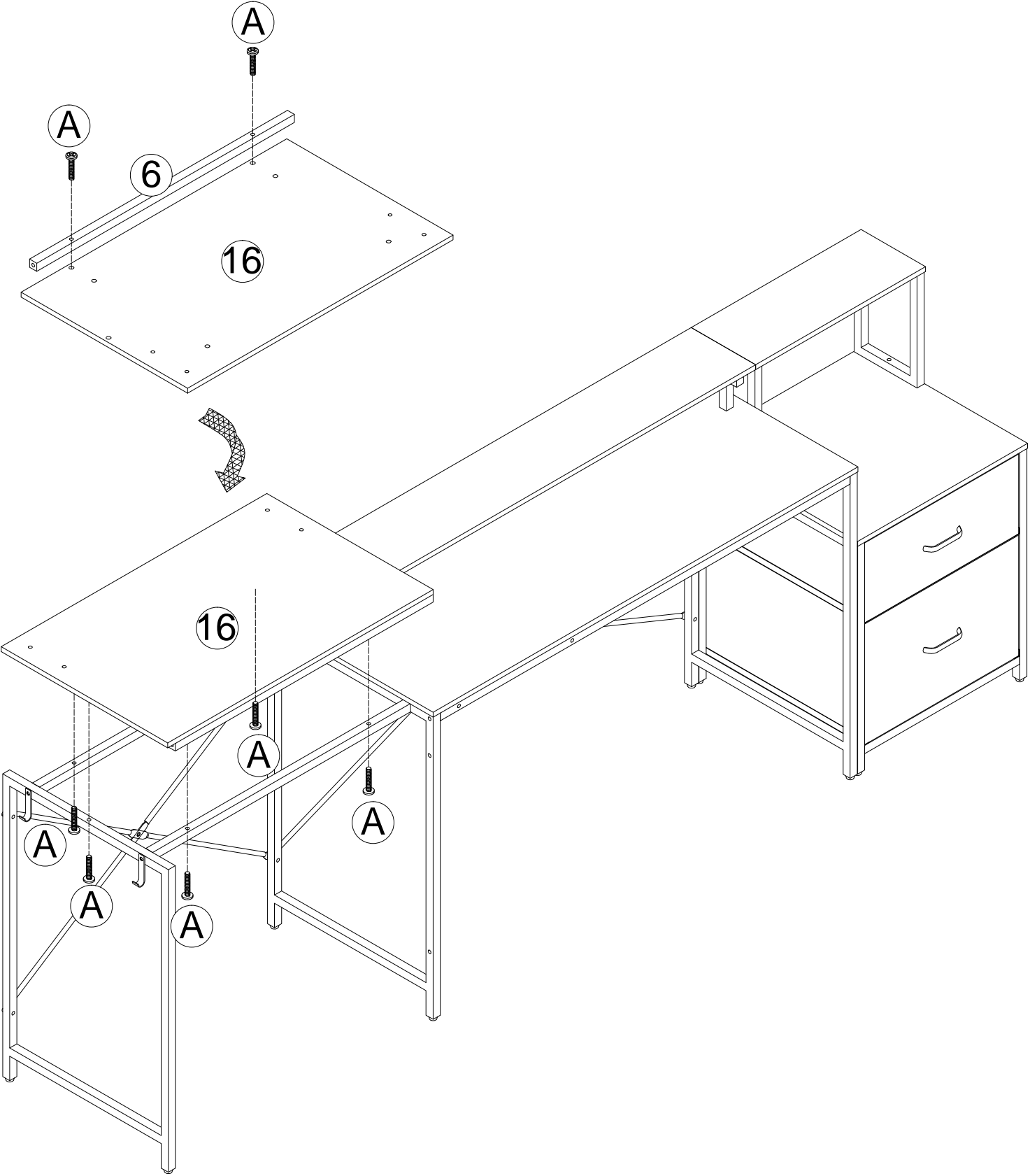
**E** x1pc



**F** x5pc

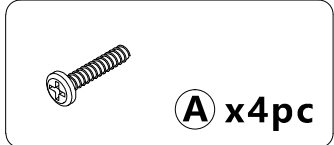
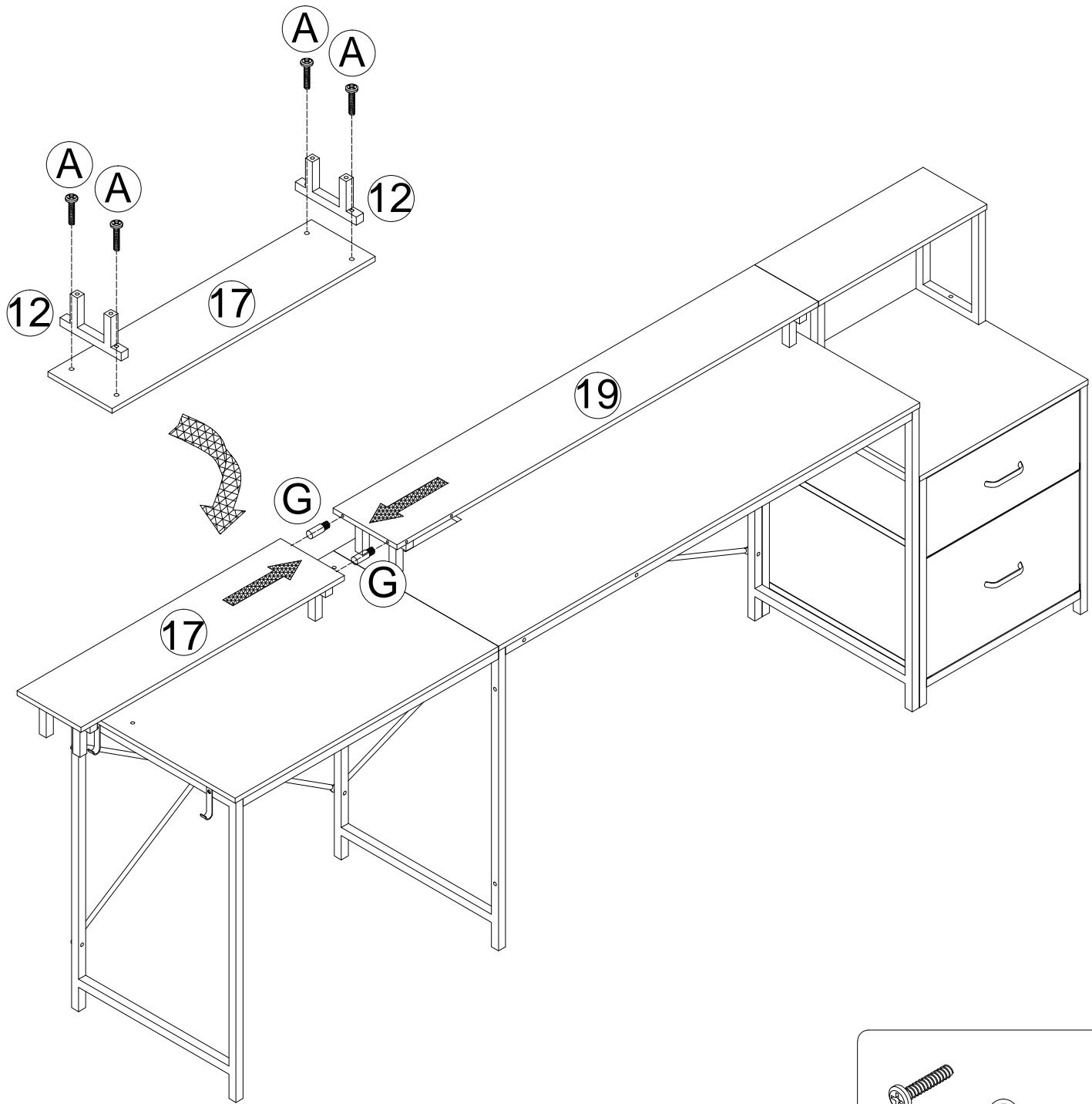
# Assembly Instructions

Step 13-2



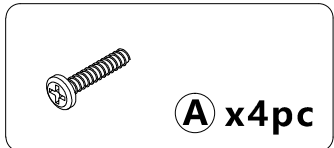
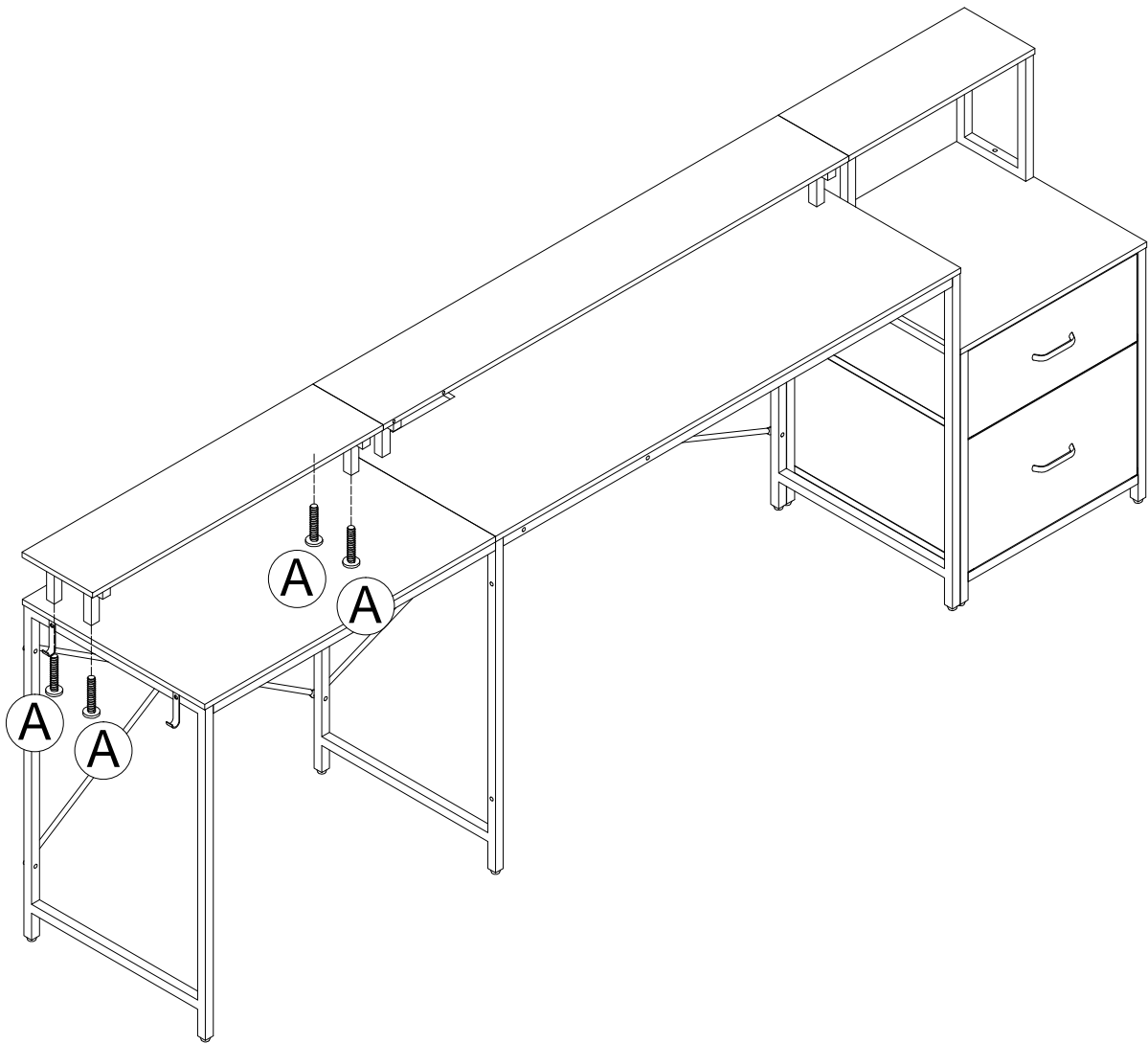
# Assembly Instructions

Step 14-2



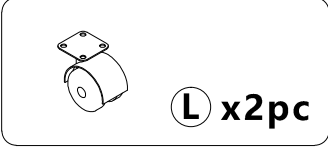
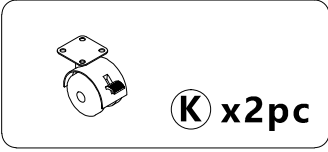
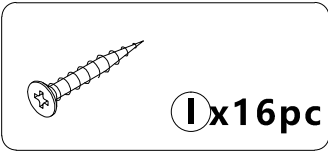
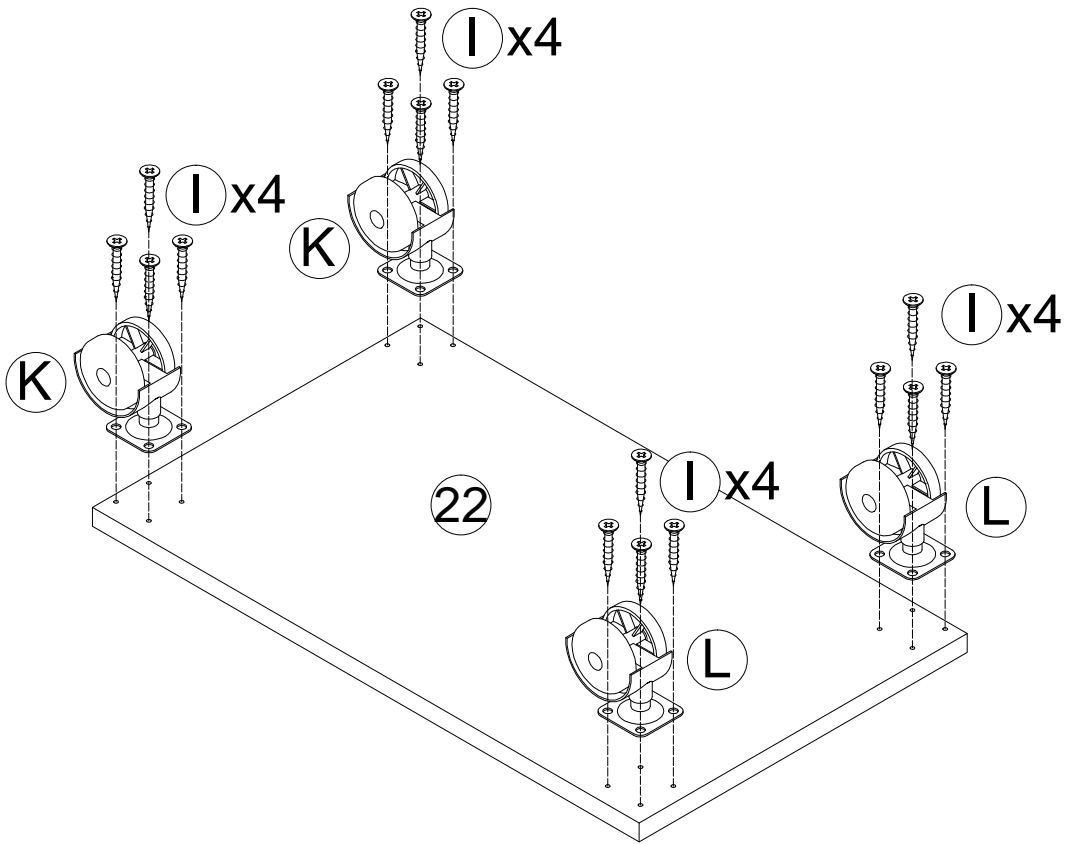
# Assembly Instructions

Step 15-2



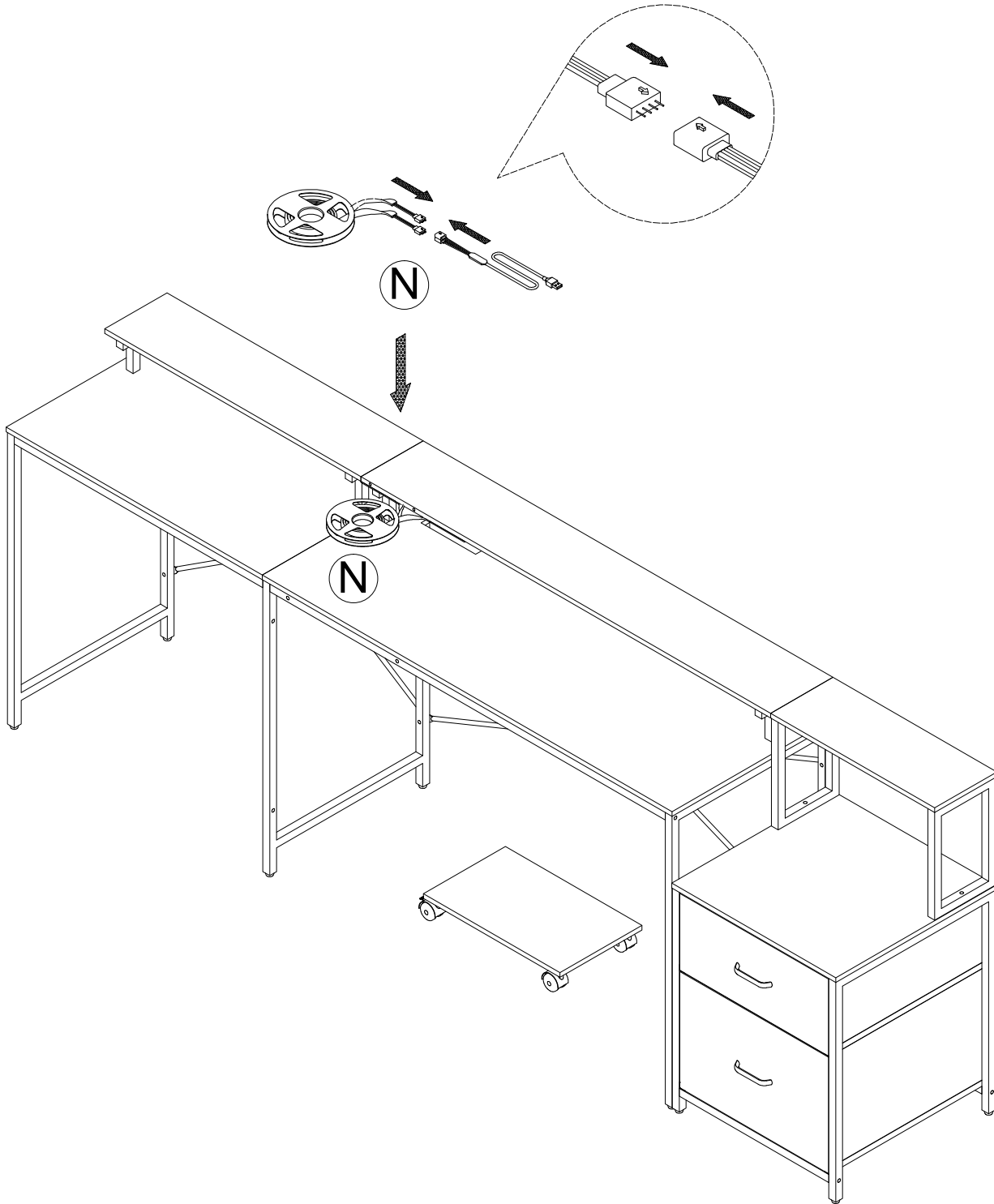
# Assembly Instructions

Step 16-2



# Assembly Instructions

Step 17-2



OK!

