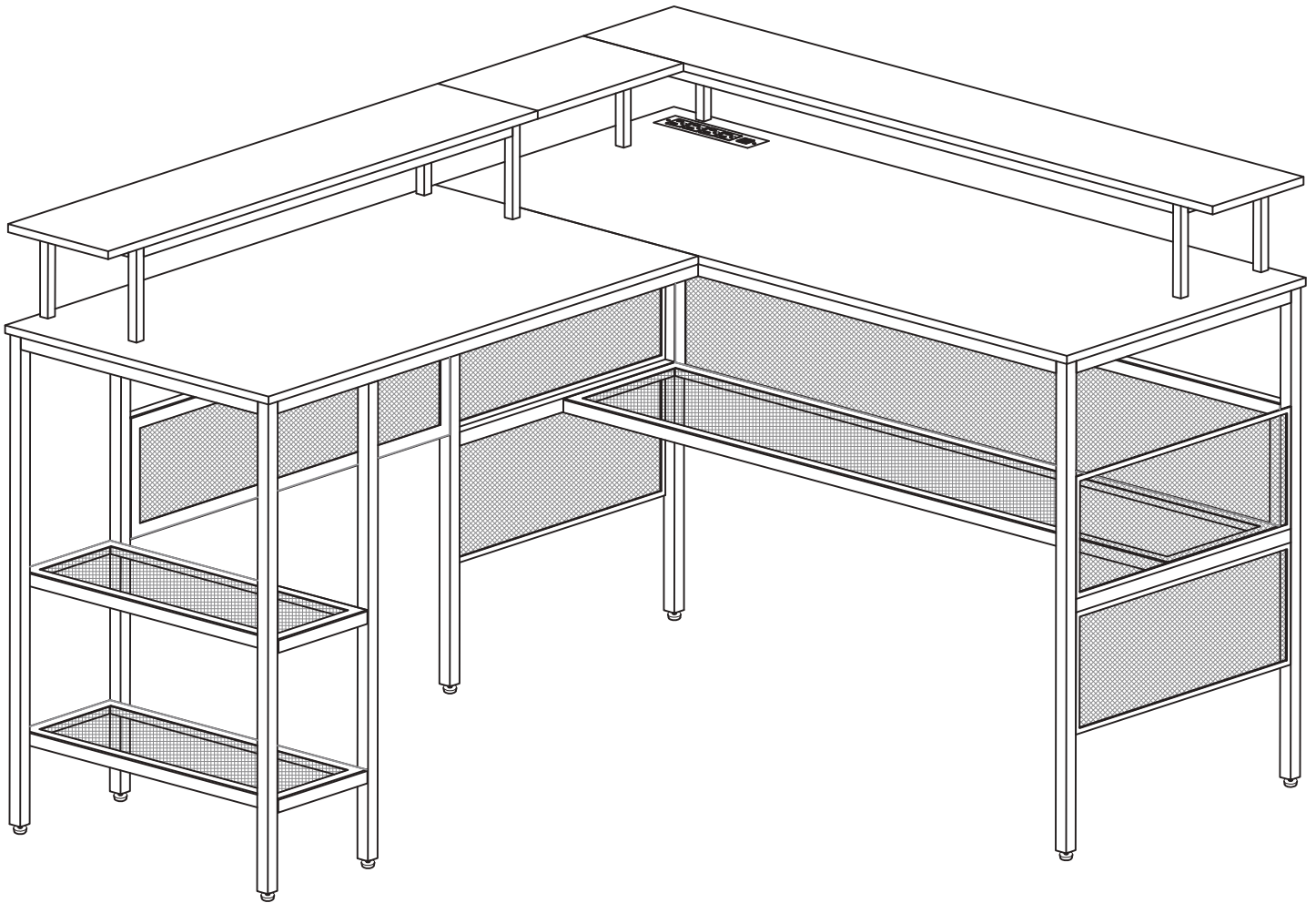


COMPUTER DESK

Assembly Instructions – Please keep for future reference

SZ001



Scan this QR code to view assembly instruction video.

Read all instructions before assembly and use.
KEEP INSTRUCTIONS FOR FUTURE USE.

BRAND:WASAGUN

If you need assistance or find missing or damaged parts
in the package, contact us by mail: info@wasagun.com

WASAGUN

Important

Please read these instructions fully before starting assembly.

General Guidelines

- Make sure you have enough space to layout the parts before starting.
- Please read the following instructions carefully and use the product accordingly.
- This summary may not include every detail of all variations and considered steps. Please contact us when further information and help are needed.
- Please keep this manual and hand it over when you transfer the product.

Notes

- During assembly, align all screws with the corresponding pre-drilled holes first and then tighten them one by one. Inspect the screws regularly. Screws may become loose during long-term use. If necessary, retighten them to ensure stability and security.
- Please avoid long-term exposure to humid environment to prevent mildew.
- Regular dusting with a dry cloth will keep your units.
- Clean marks with a damp cloth.
- Do not allow spillages to stay on the surface.
- To remove stubborn stains, wipe with a damp cloth and washing up.
- Do not use abrasive cleaners.
- Product is intended for indoor use only. It must be assembled and used according to the instructions. The seller does not accept any responsibility for damage or injury resulting from improper assembly or use.

Warnings

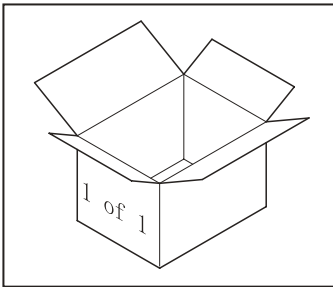
- Avoid sharp objects and corrosive chemicals to prevent damage to the product or bodily injury.
- Keep plastic packing bags out of reach of children to avoid any potential danger, such as suffocation.
- Children are not allowed to assemble the product. During assembly, keep any small part out of reach of children as they may be fatal if swallowed or inhaled.
- Children are not allowed to stand, climb or play on the product to avoid serious bodily injury by the toppling.

MANUFACTURERS: DONGGUAN HANGXING HOUSEWARE CO., LTD
ADD.: BUILDING 5, NO. 6 HESHI ROAD, QIAOTOU, DONGGUAN CITY, GUANGDONG
CONTACT: CARL TEL: +1 (838) 910-8241 E-MAIL: INFO@WASAGUN.COM

Components

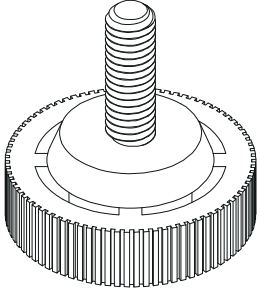
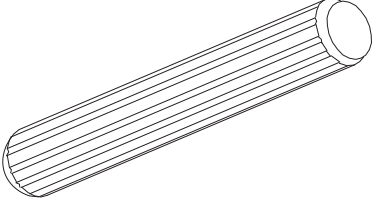
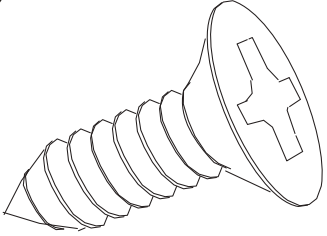
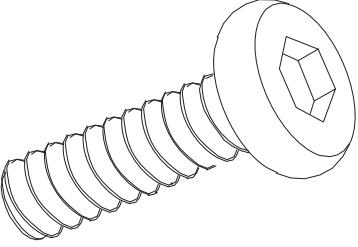
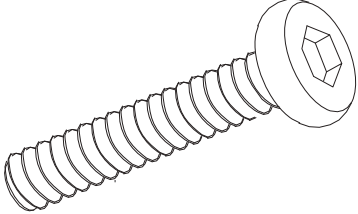
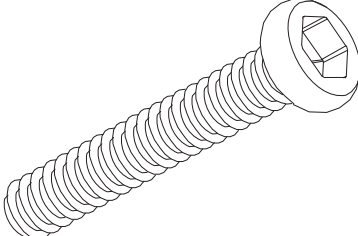
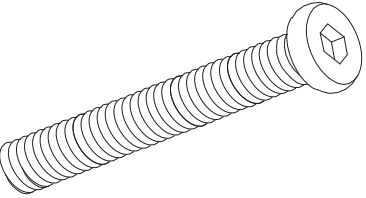
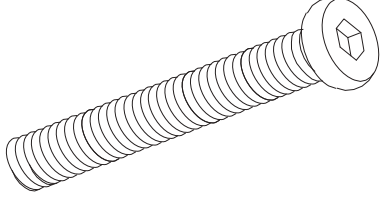
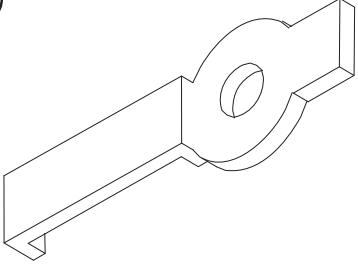
If you need assistance or find missing or damaged parts in the package, contact us by mail: info@wasagun.com

Please check all parts below under a good condition before you install the Computer Desk.



Tips:

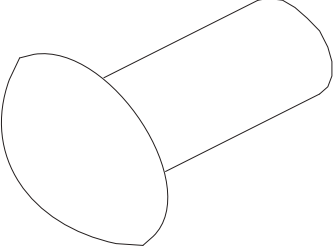
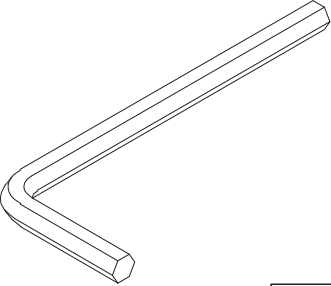
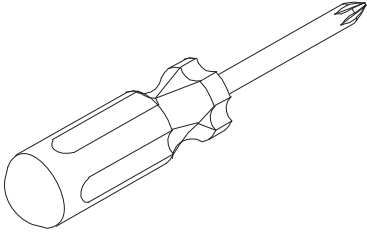
1. The number of screws refers to the screws actually needed, but we will add some more screws as reserve.
2. Some holes are not predrilled, it is recommended to use electric screwdriver.
3. If some hole don't match so that some screws cannot be inserted, you could loosen the other screws also on this board slightly, insert those screws and then you could tighten all screws easily.

<p>(A)</p>  <p>M6X16mm</p> <p>8 PC</p>	<p>(B)</p>  <p>Ø6X30mm</p> <p>4 PC</p>	<p>(C)</p>  <p>M3X10mm</p> <p>10 PC</p>
<p>(D)</p>  <p>M6X12mm</p> <p>22 PC</p>	<p>(E)</p>  <p>M6X23mm</p> <p>24 PC</p>	<p>(F)</p>  <p>M6X28mm</p> <p>19 PC</p>
<p>(G)</p>  <p>M6X35mm</p> <p>8 PC</p>	<p>(H)</p>  <p>M6X40mm</p> <p>4 PC</p>	<p>(I)</p>  <p>Led low voltage light bar fixing dclip</p> <p>8 PC</p>

Components

If you need assistance or find missing or damaged parts in the package, contact us by mail: info@wasagun.com

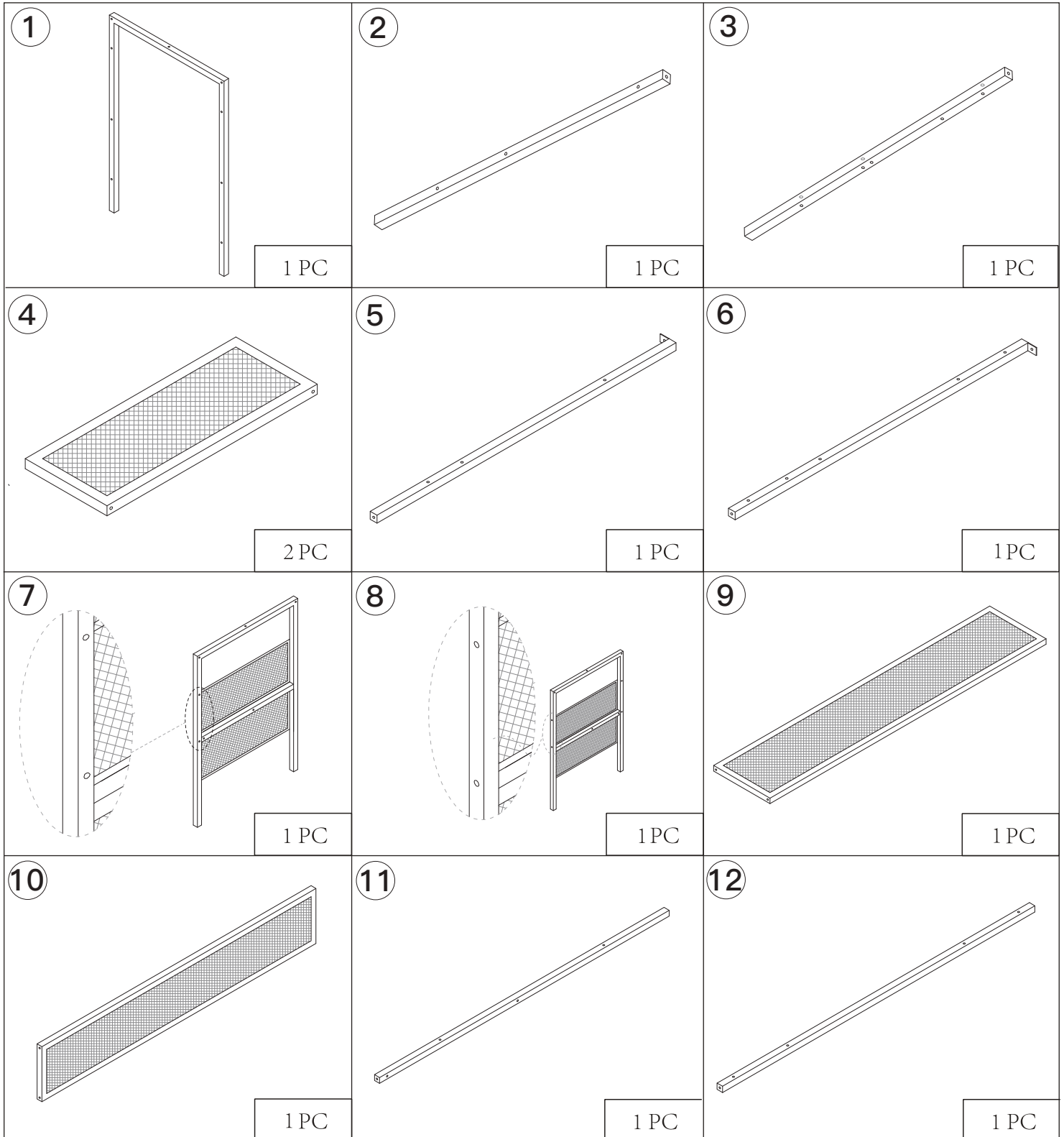
Please check all parts below under a good condition before you install the Computer Desk.

<p>ⓐ</p>  <p>M6 black plastic hole plug</p> <p>2 PC</p>	<p>ⓑ</p>  <p>1 PC</p>	<p>ⓒ</p>  <p>1 PC</p>

Components

If you need assistance or find missing or damaged parts in the package, contact us by mail: info@wasagun.com

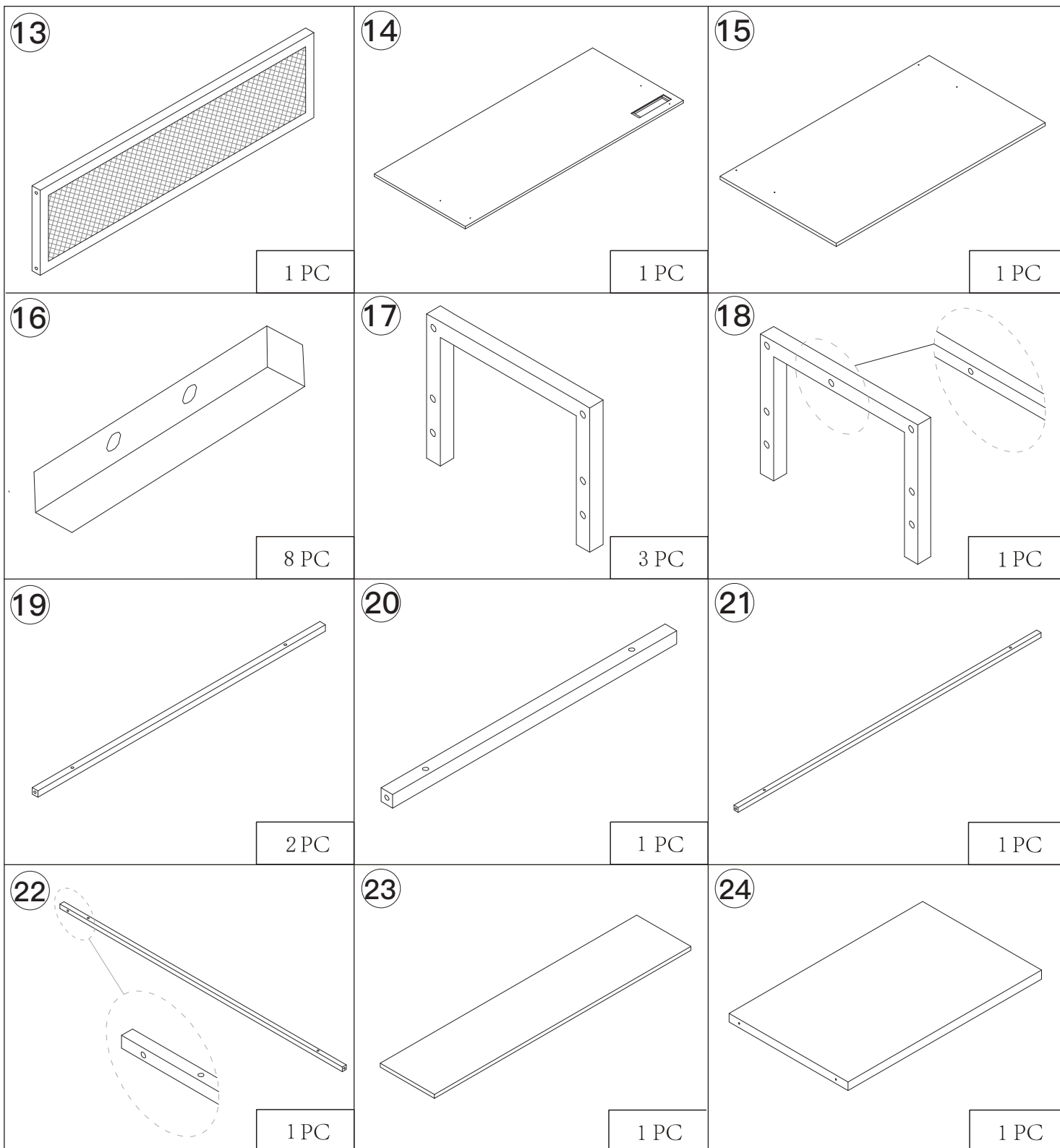
Please check all parts below under a good condition before you install the Computer Desk.



Components

If you need assistance or find missing or damaged parts in the package, contact us by mail: info@wasagun.com

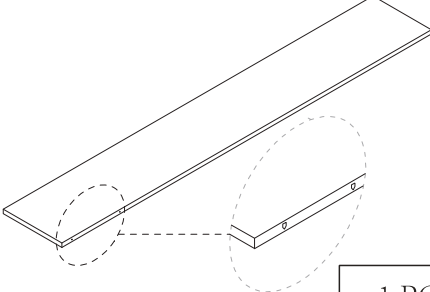

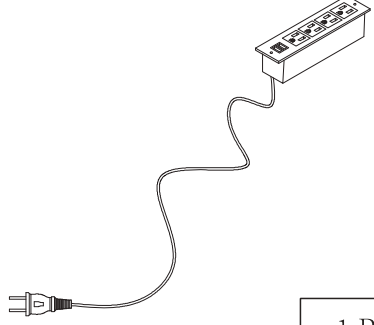
Please check all parts below under a good condition before you install the Computer Desk.



Components

If you need assistance or find missing or damaged parts in the package, contact us by mail: info@wasagun.com

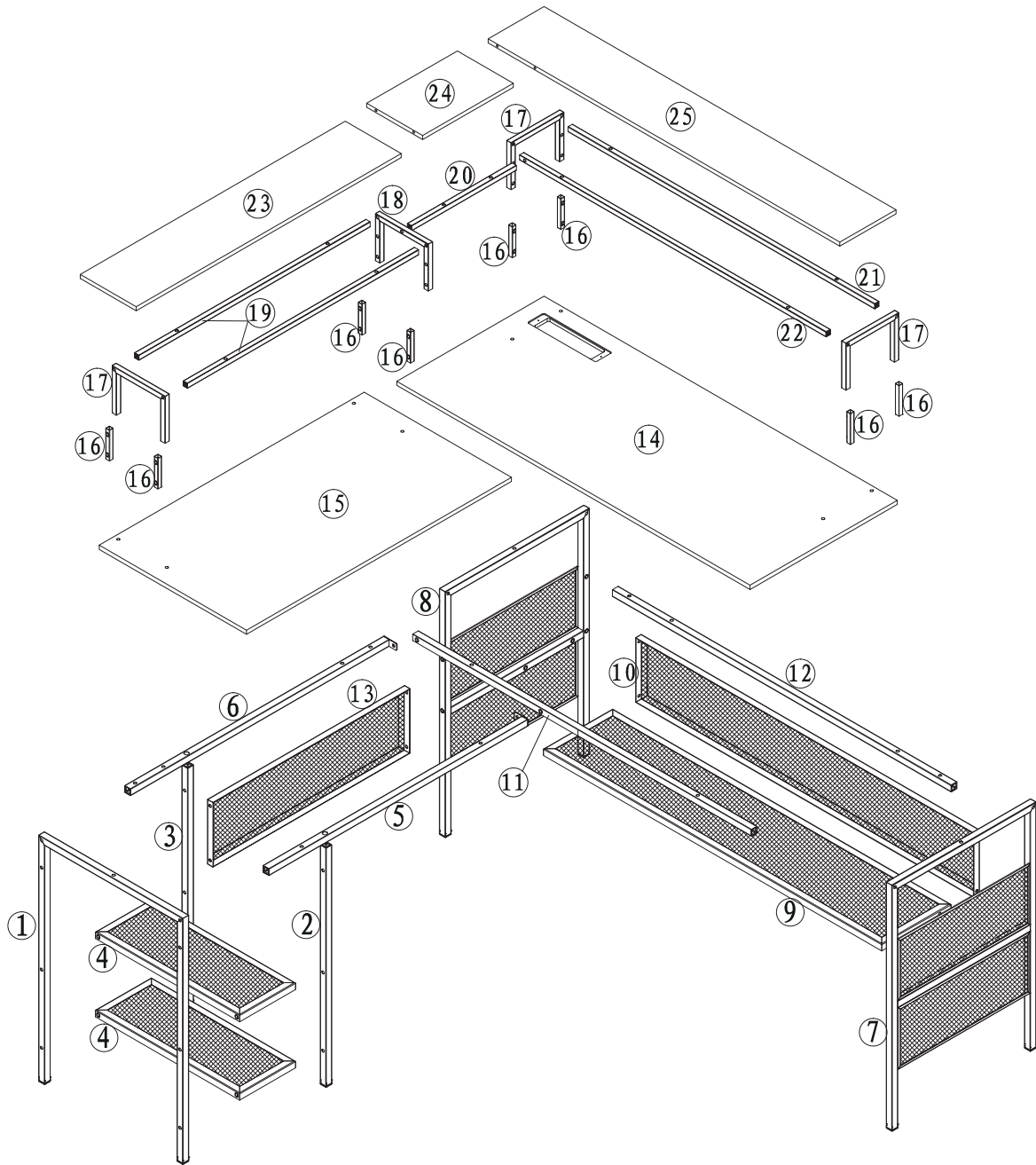
Please check all parts below under a good condition before you install the Computer Desk.

<p>25</p>  <p>1 PC</p>	<p>26</p>  <p>x2 x1</p>	<p>27</p>  <p>1 PC</p>

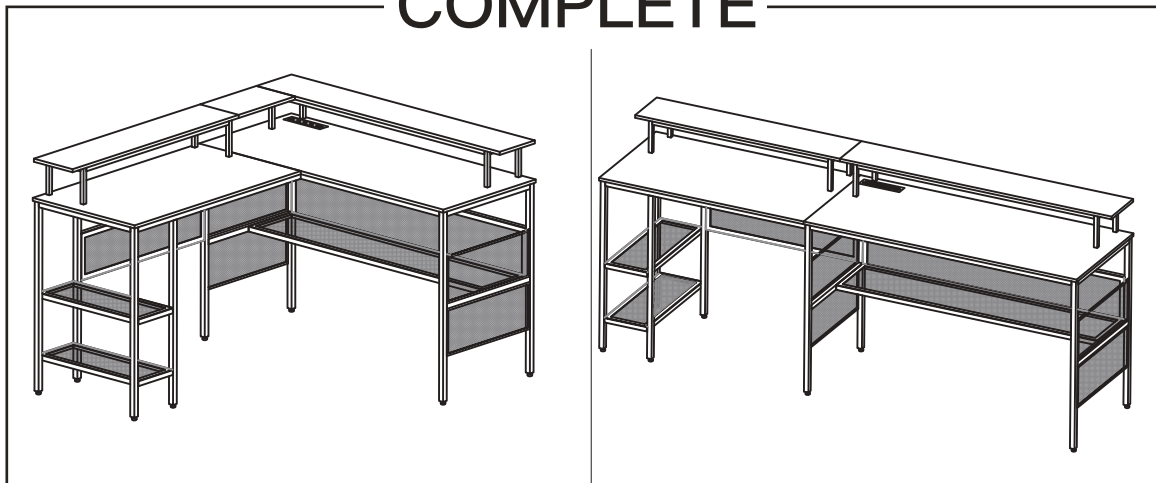
EXPLODED

If you need assistance or find missing or damaged parts in the package, contact us by mail: info@wasagun.com

Please check all parts below under a good condition before you install the Computer Desk.

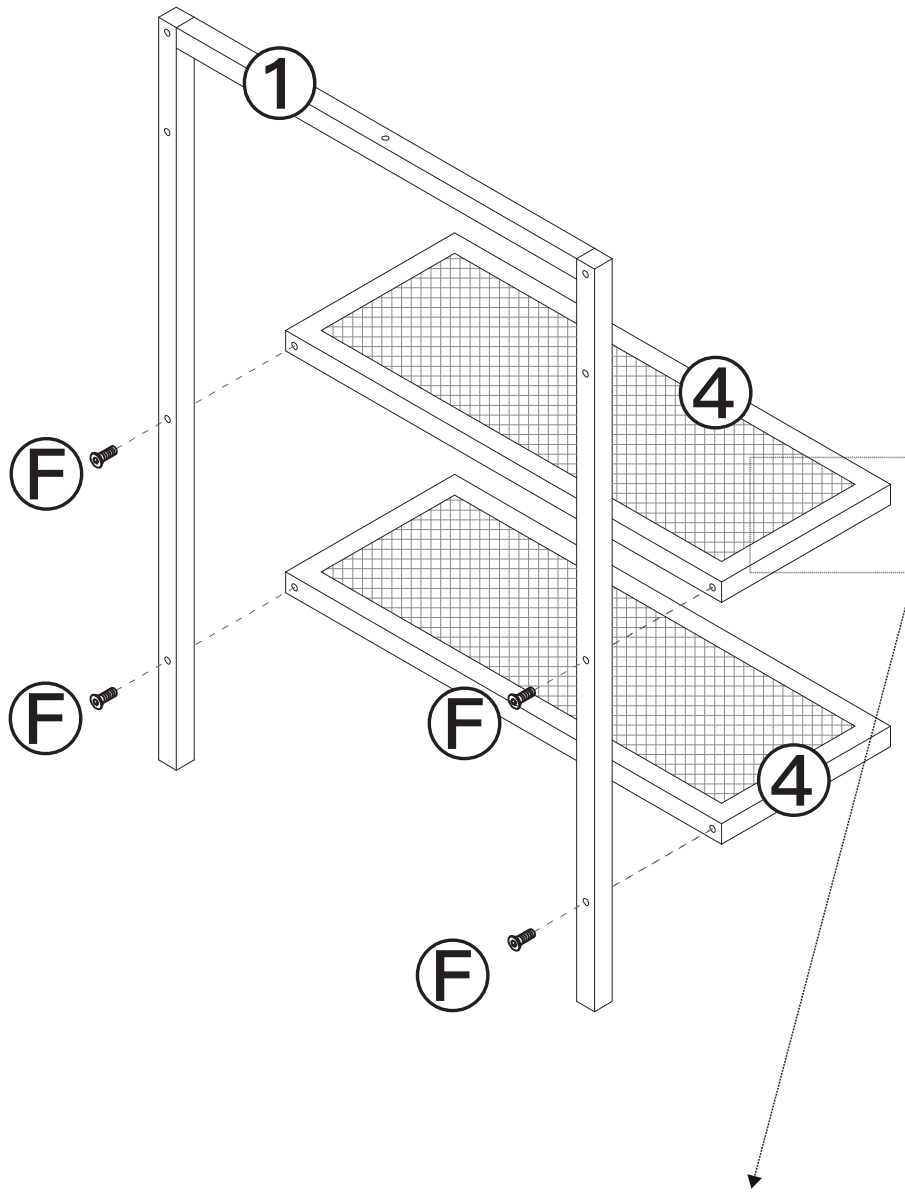


COMPLETE

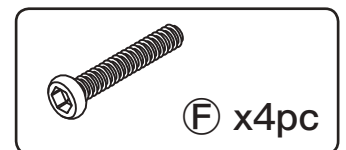
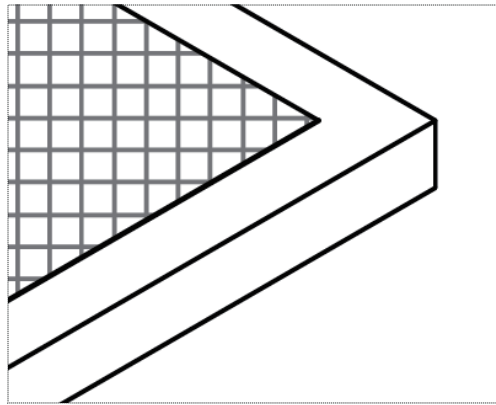
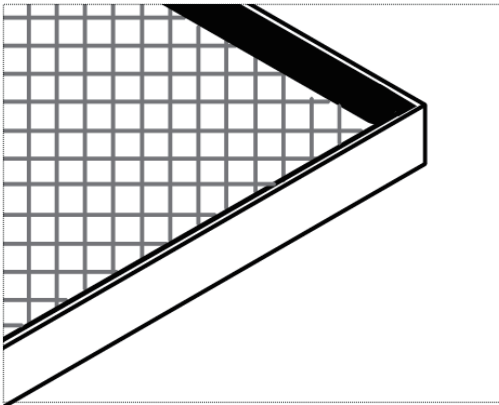


Assembly Instructions (L-shaped structure)

Step 1

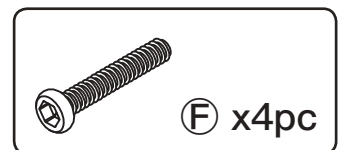
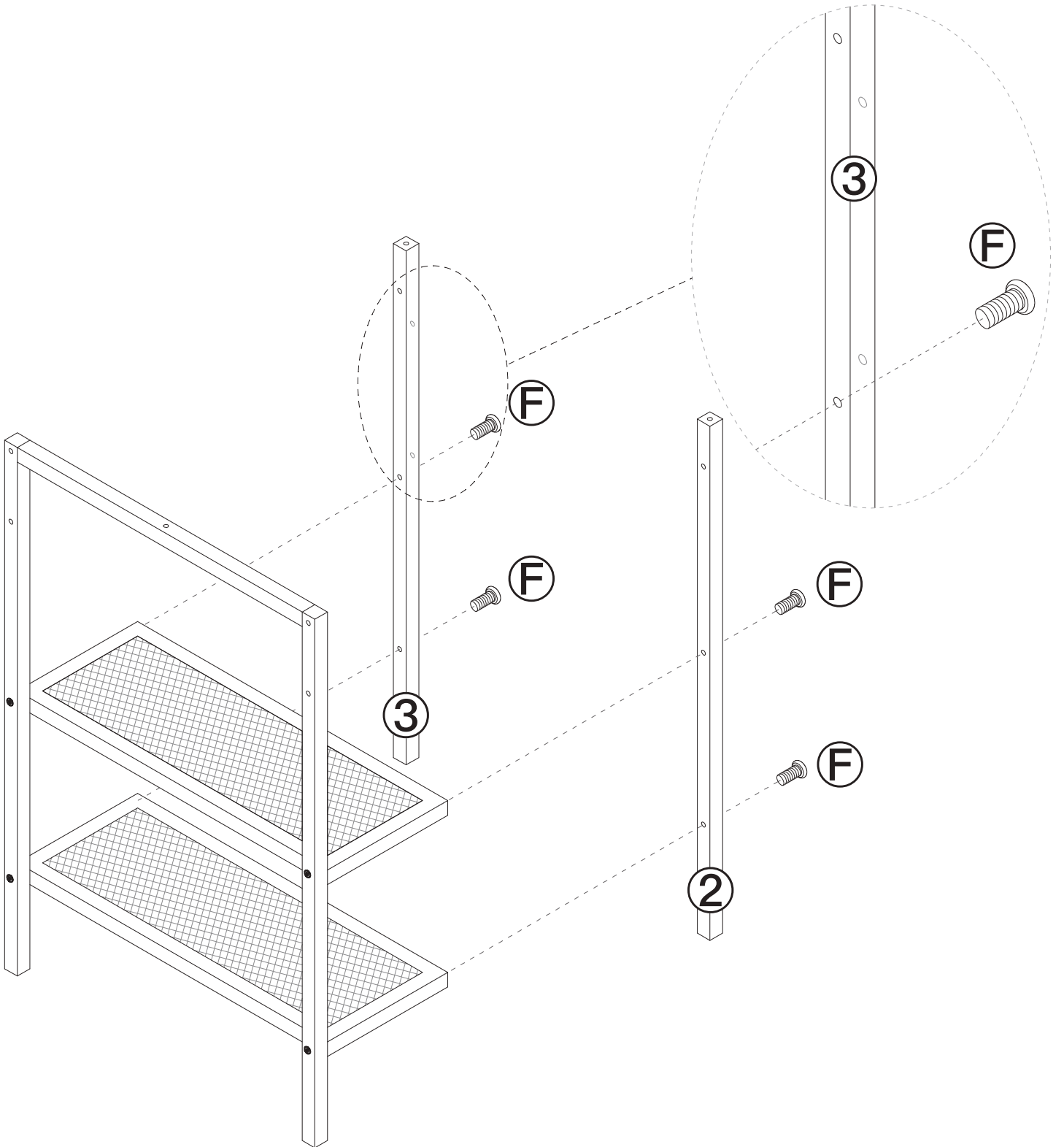


It does not distinguish between front and back and can be installed according to your needs.



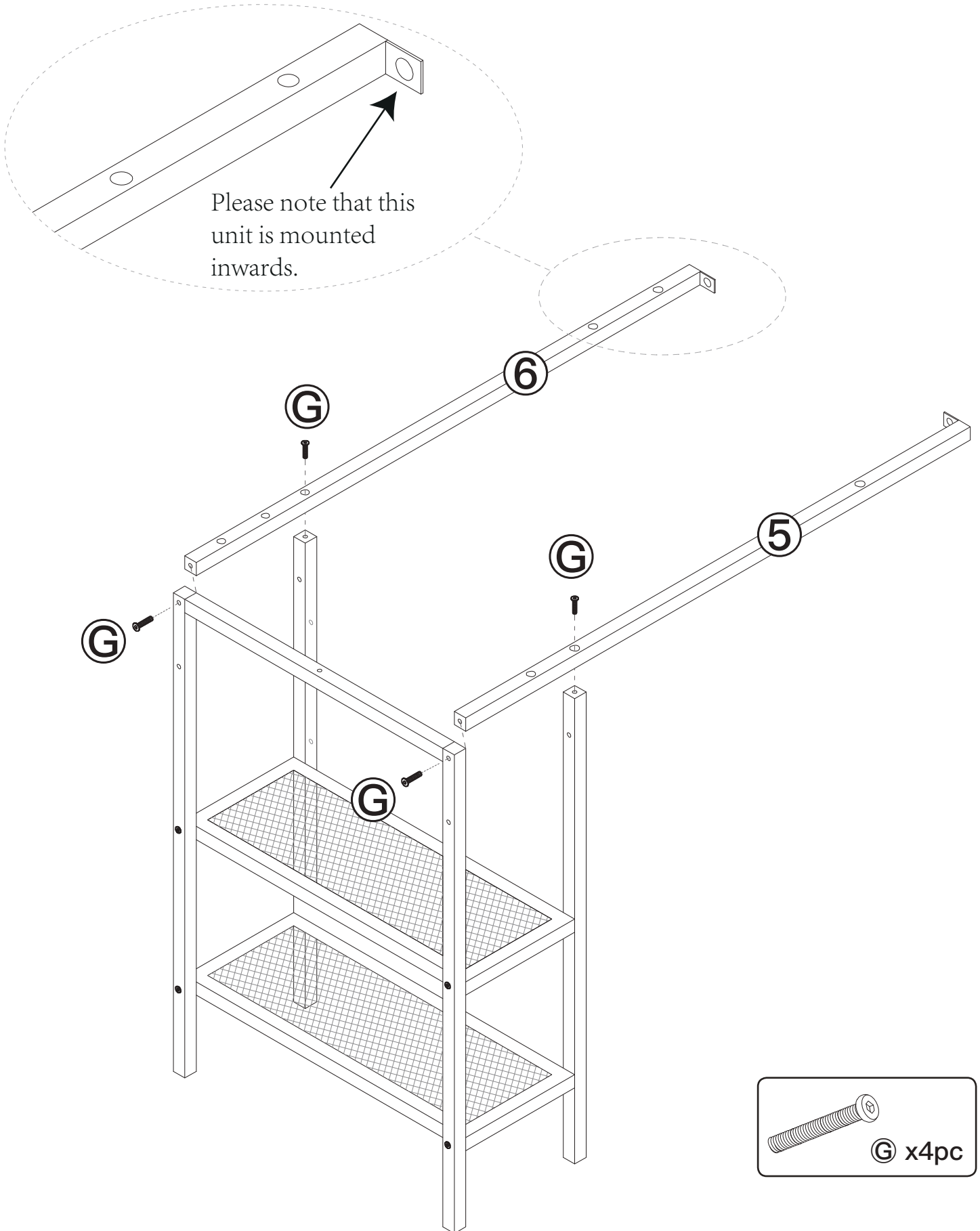
Assembly Instructions (L-shaped structure)

Step 2



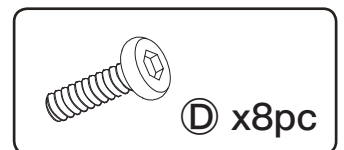
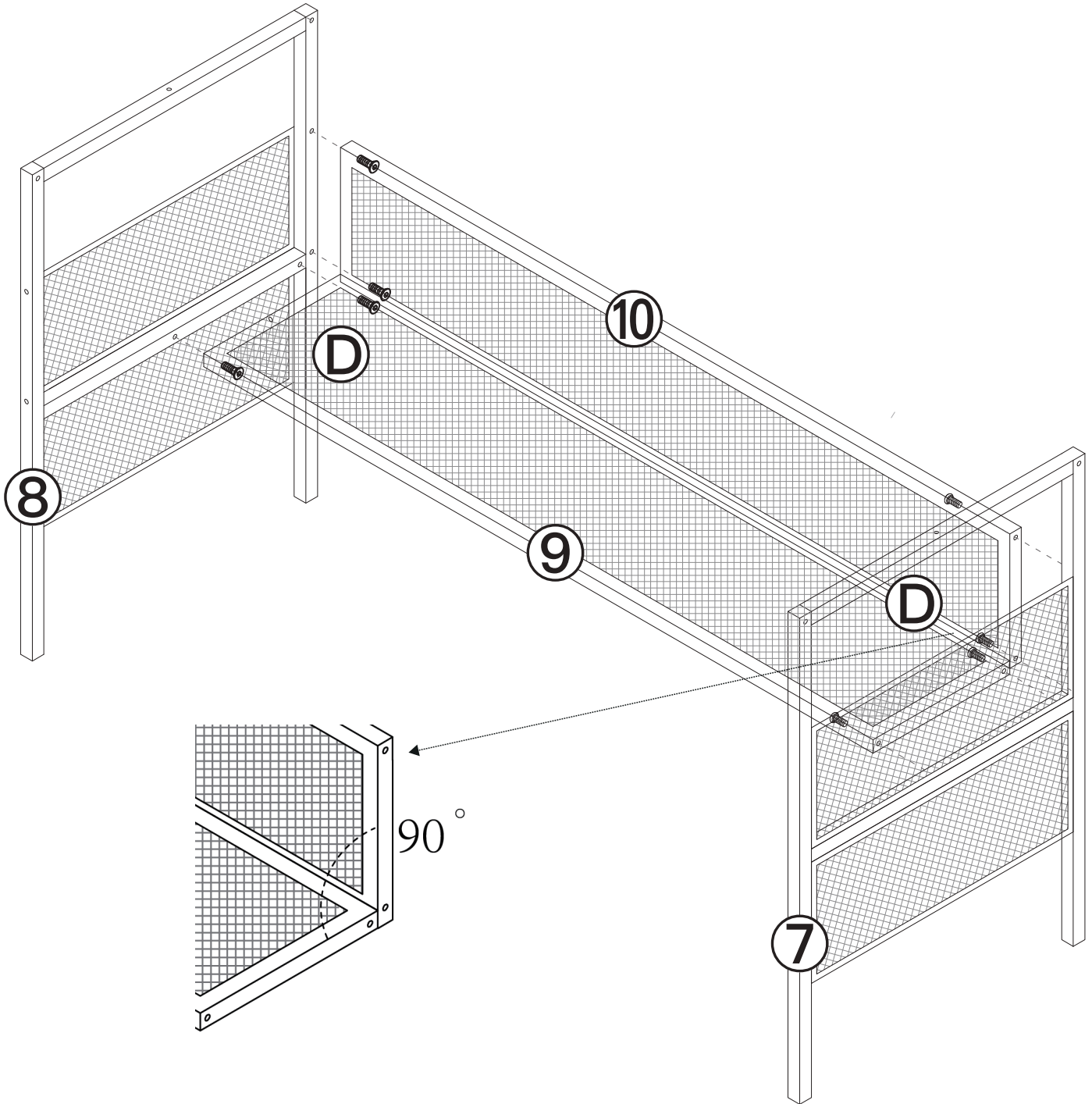
Assembly Instructions (L-shaped structure)

Step 3



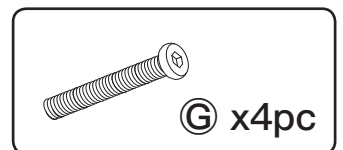
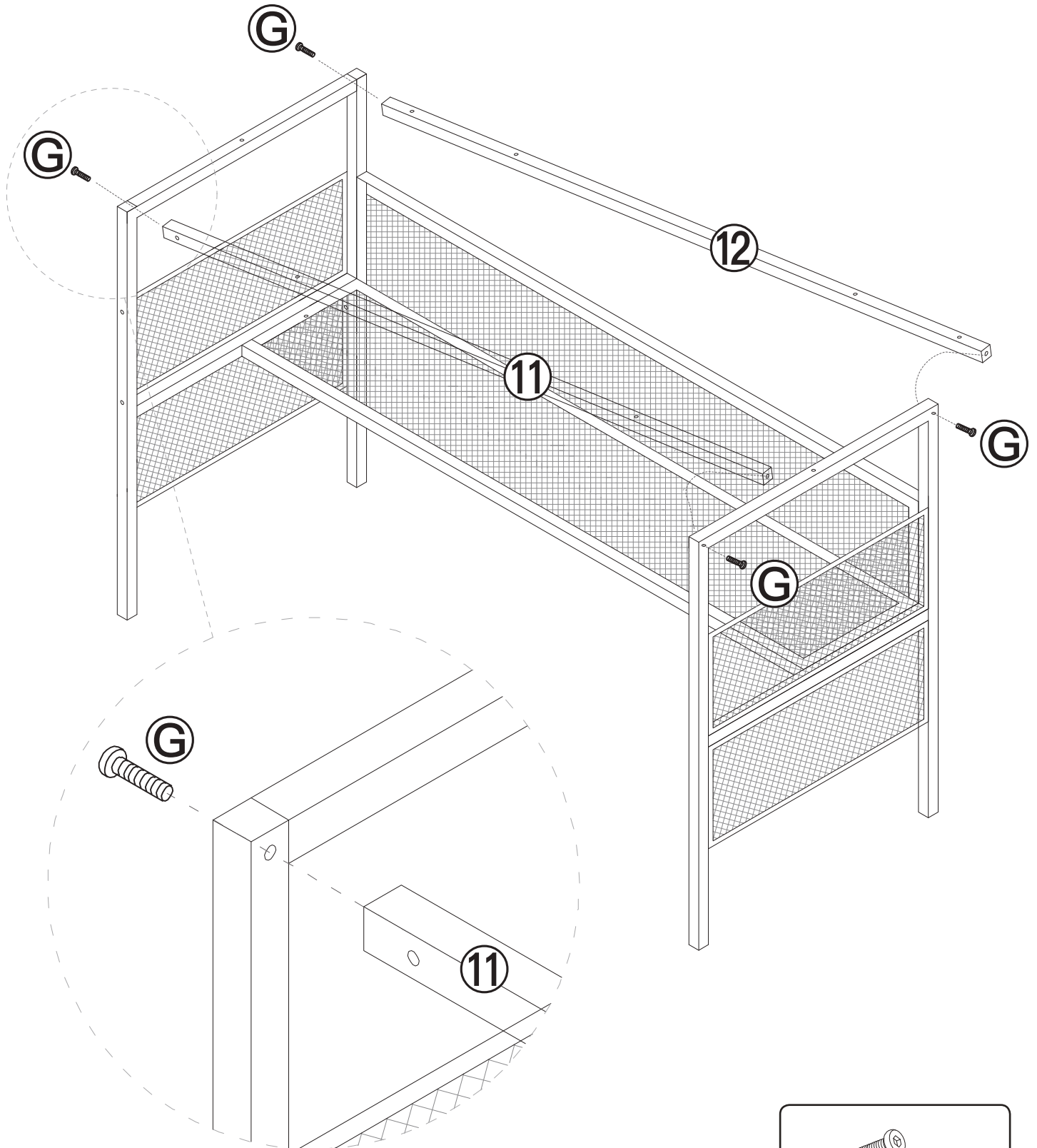
Assembly Instructions (L-shaped structure)

Step 4



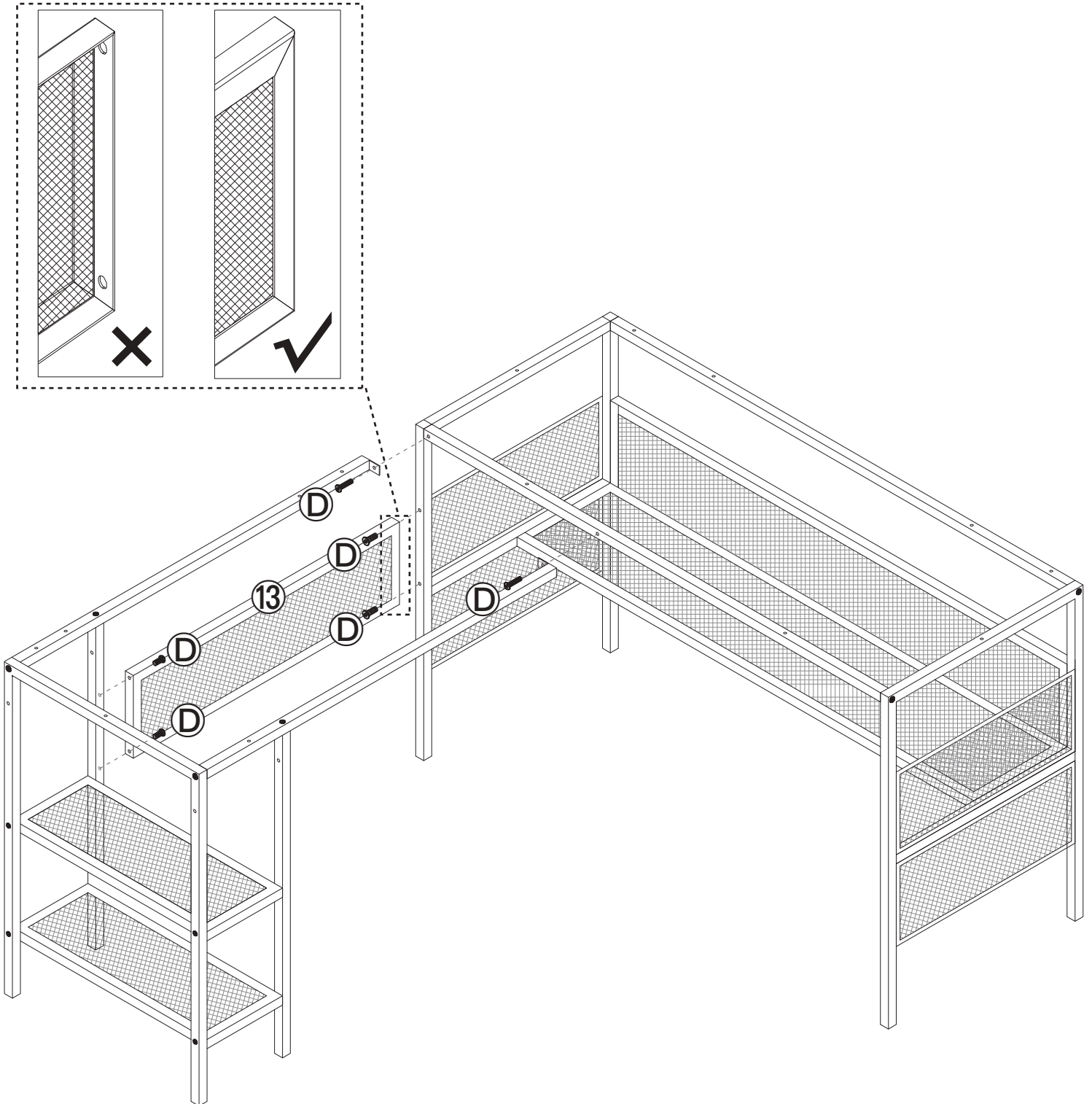
Assembly Instructions (L-shaped structure)

Step 5

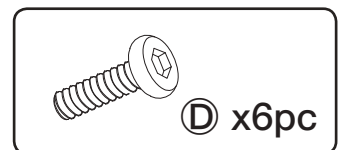


Assembly Instructions (L-shaped structure)

Step 6

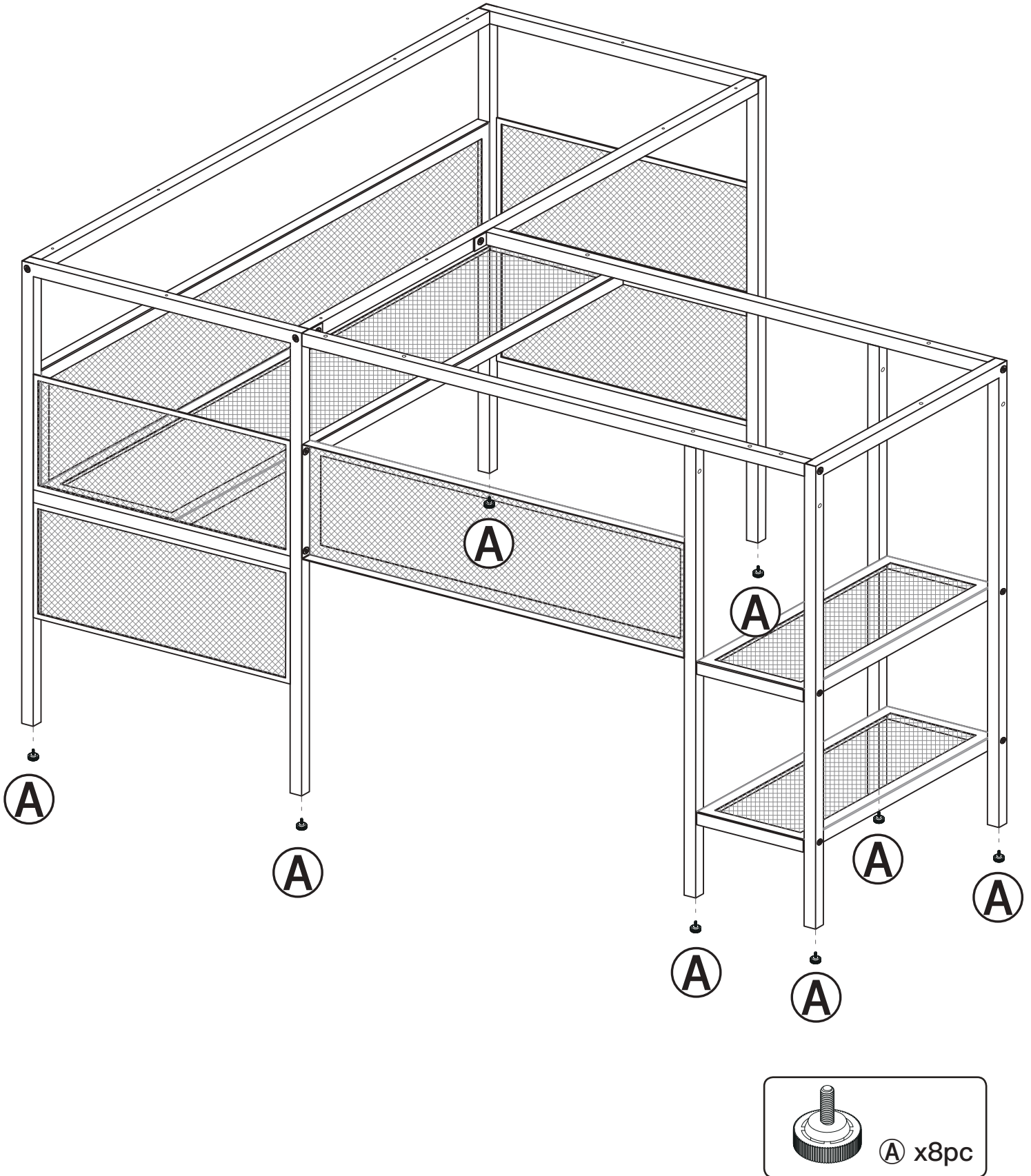


Tips:
If some hole don't match so that some screws cannot be installed, you could loosen the other screws also on this board slightly, and then those screws could be installed.



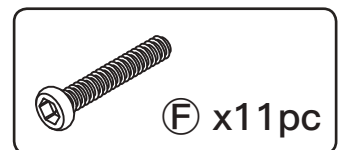
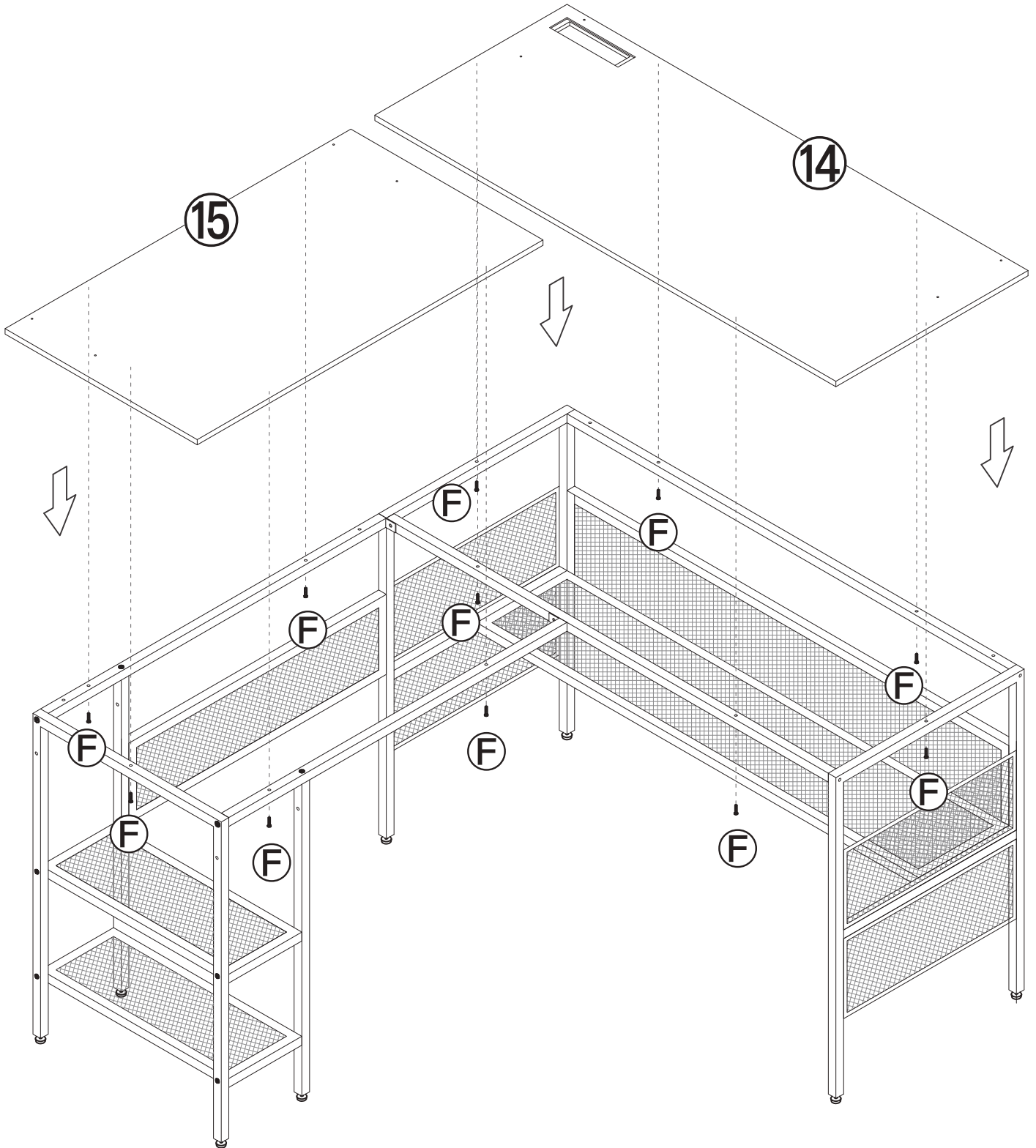
Assembly Instructions (L-shaped structure)

Step 7



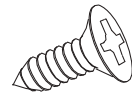
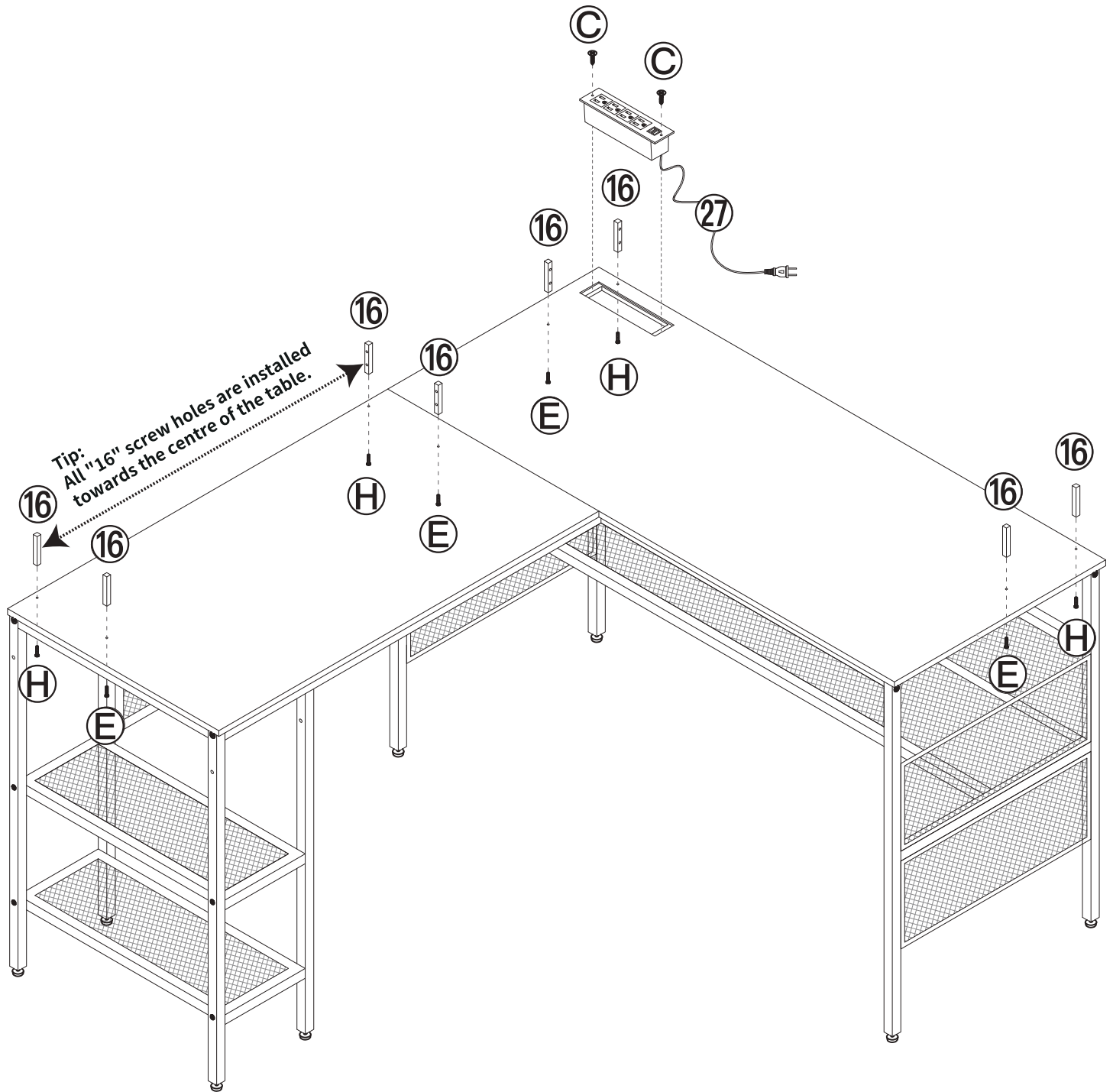
Assembly Instructions (L-shaped structure)

Step 8

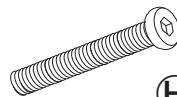


Assembly Instructions (L-shaped structure)

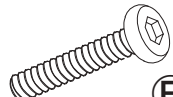
Step 9



Ⓒ x2pc



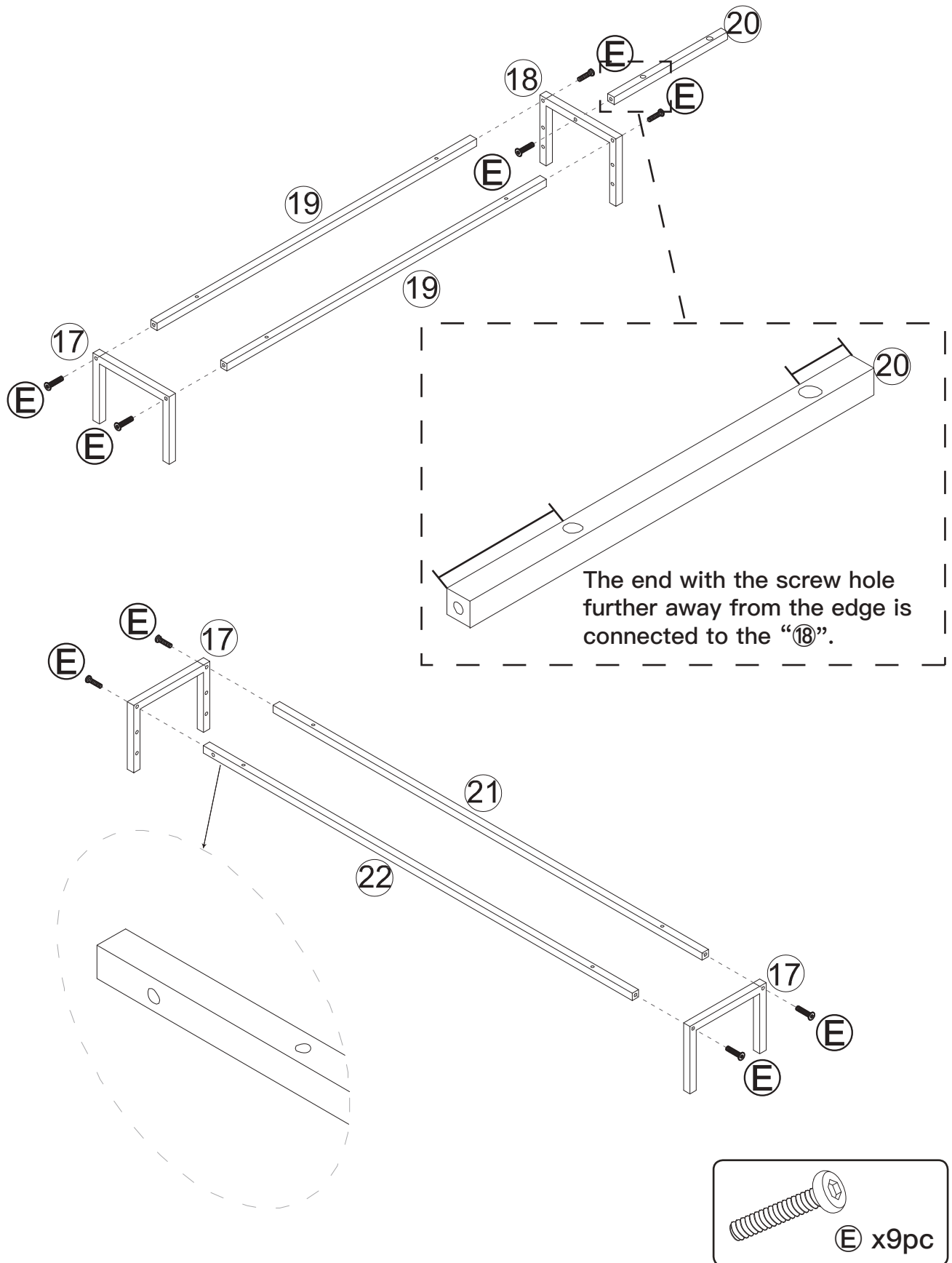
Ⓗ x4pc



Ⓔ x4pc

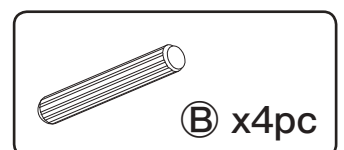
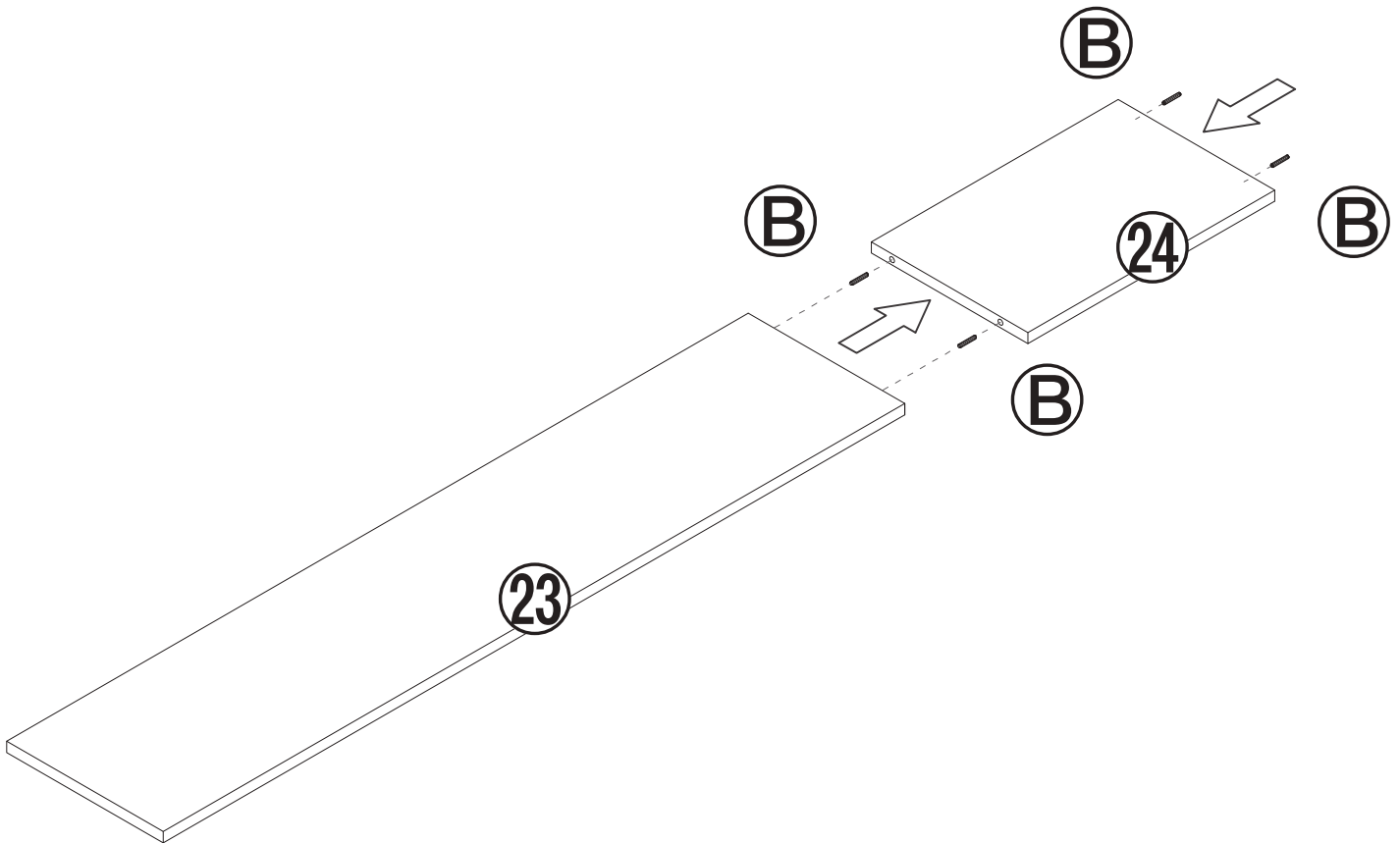
Assembly Instructions (L-shaped structure)

Step 10



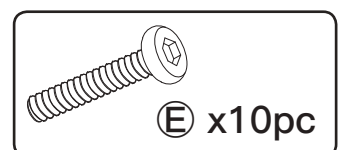
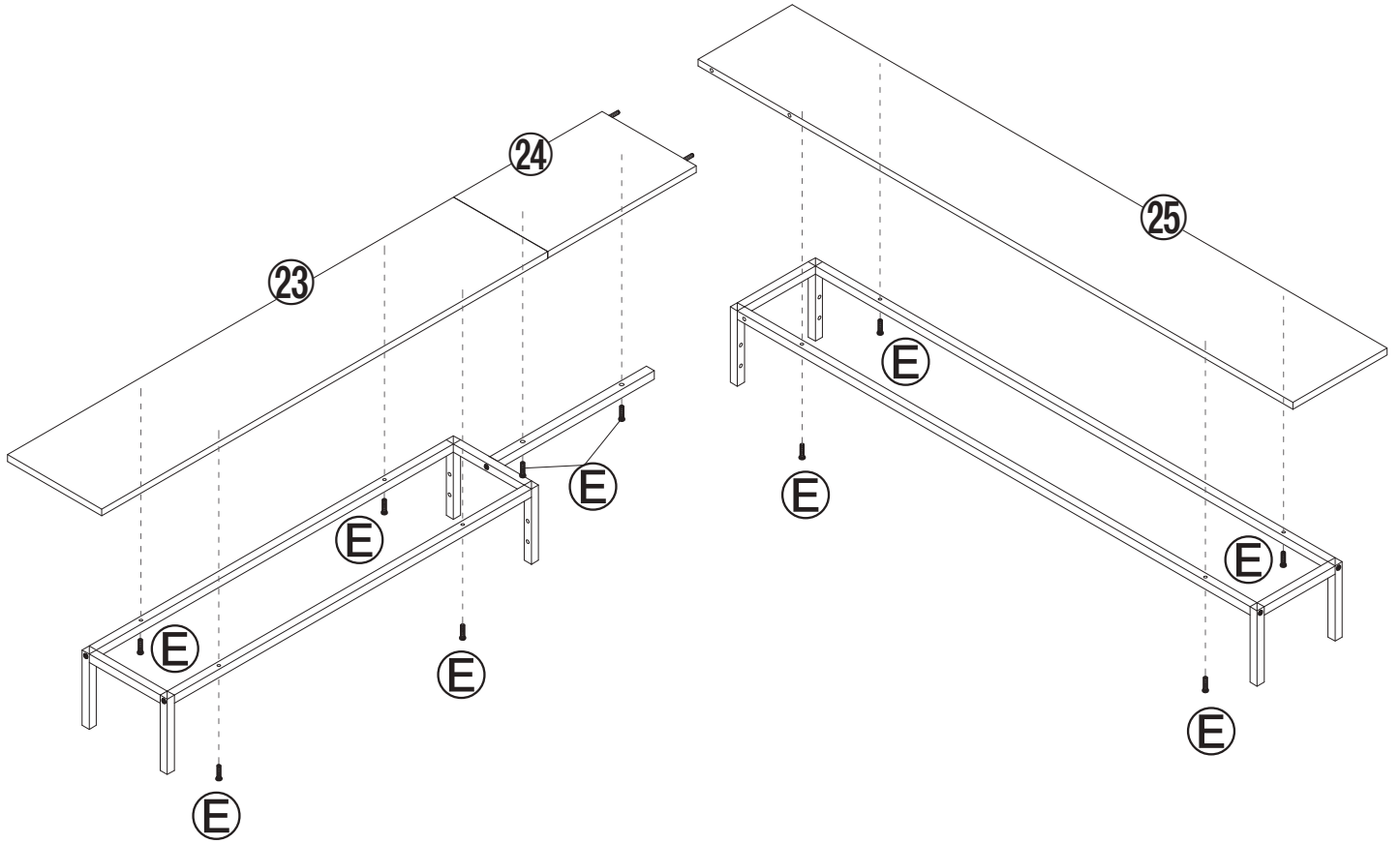
Assembly Instructions (L-shaped structure)

Step 11



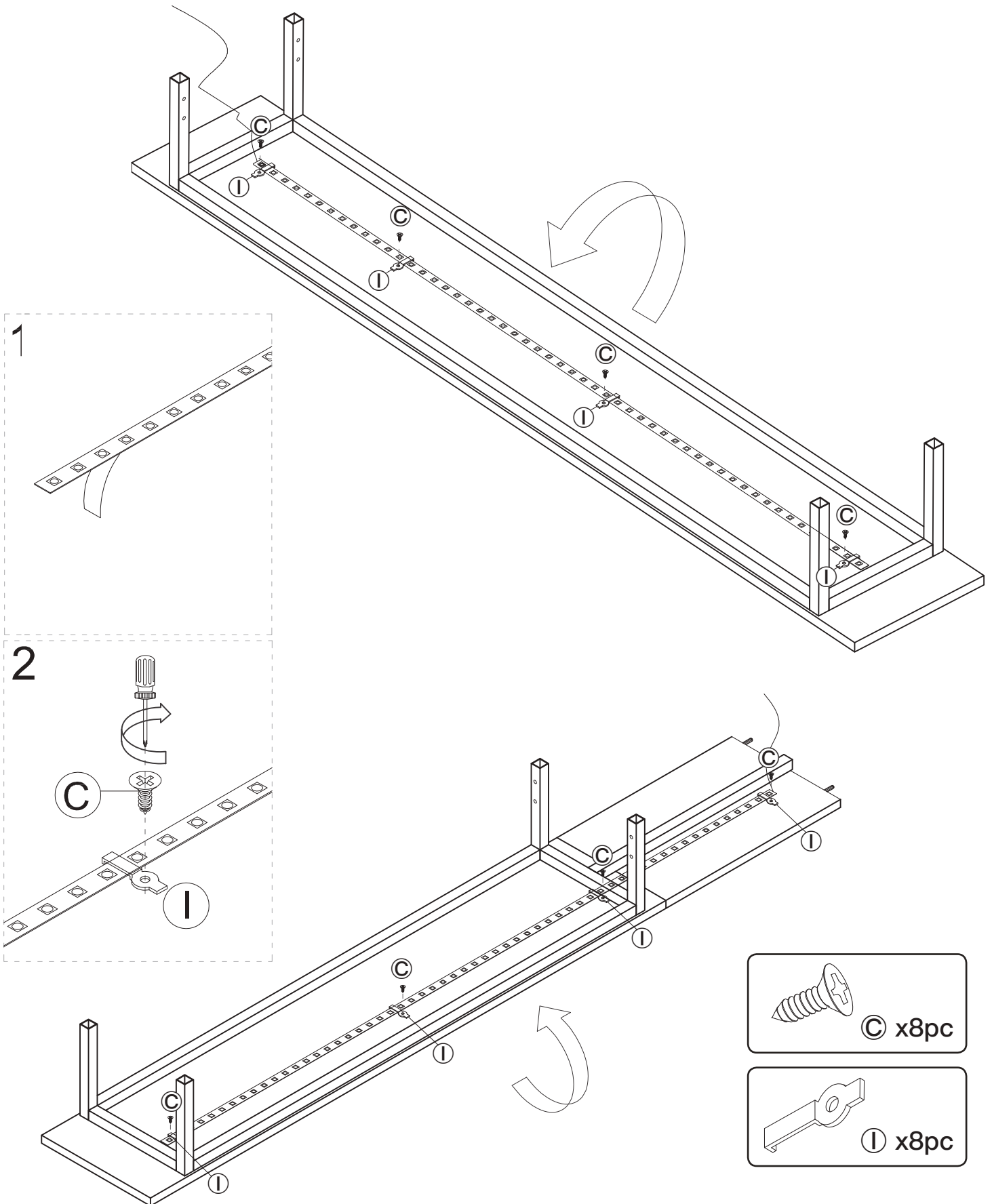
Assembly Instructions (L-shaped structure)

Step 12



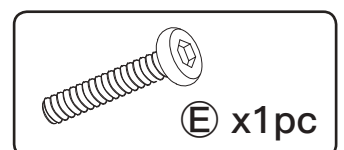
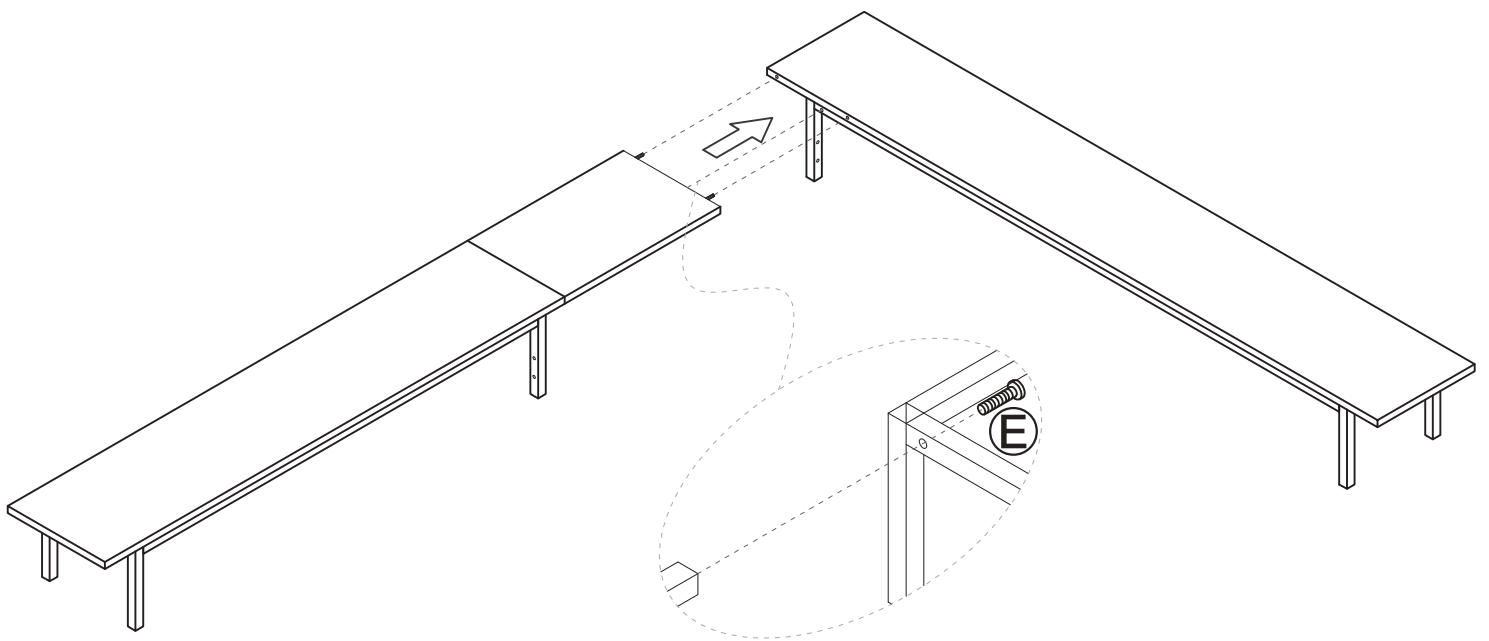
Assembly Instructions (L-shaped structure)

Step 13



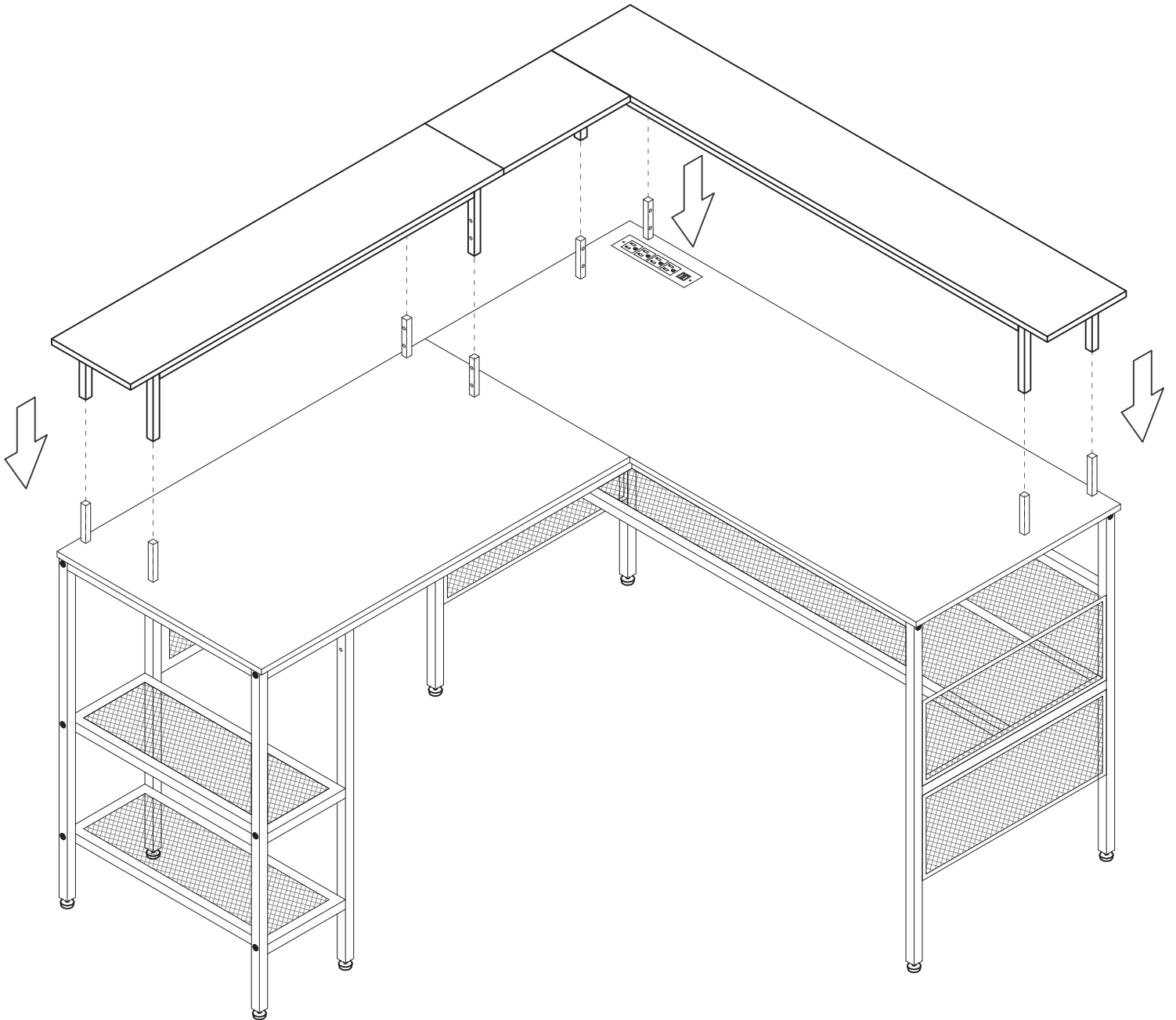
Assembly Instructions (L-shaped structure)

Step 14



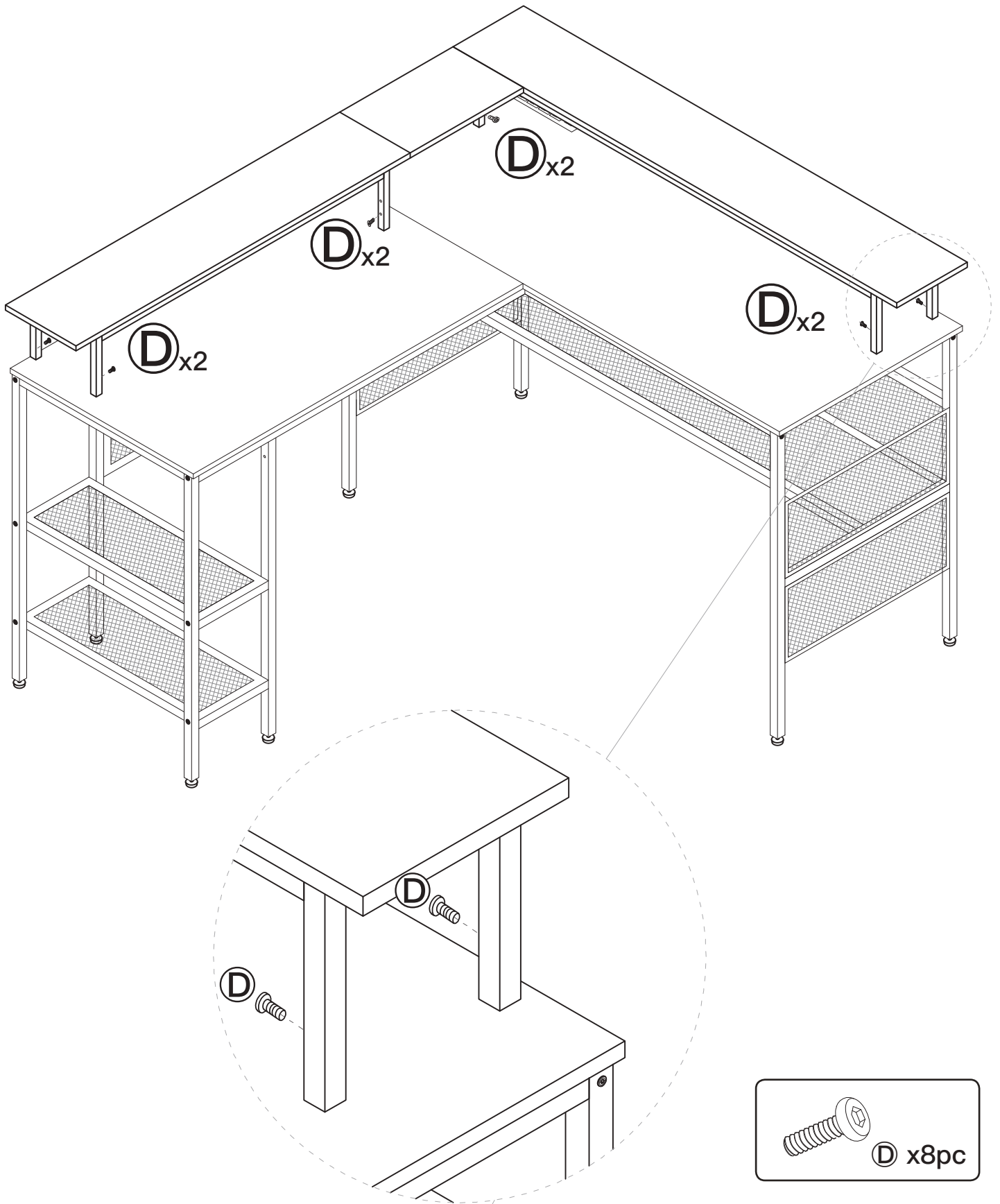
Assembly Instructions (L-shaped structure)

Step 15



Assembly Instructions (L-shaped structure)

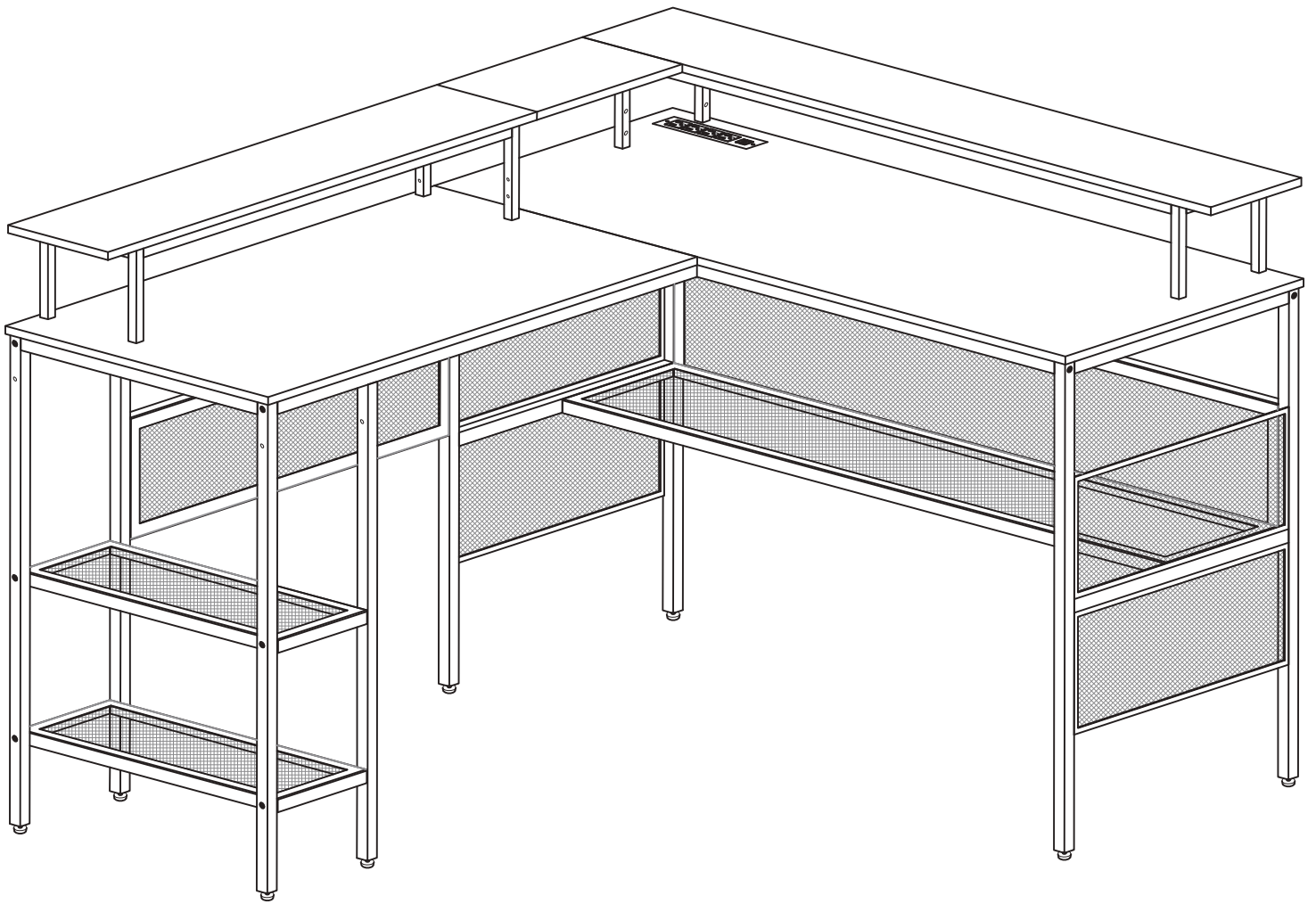
Step 16



Assembly Instructions (L-shaped structure)

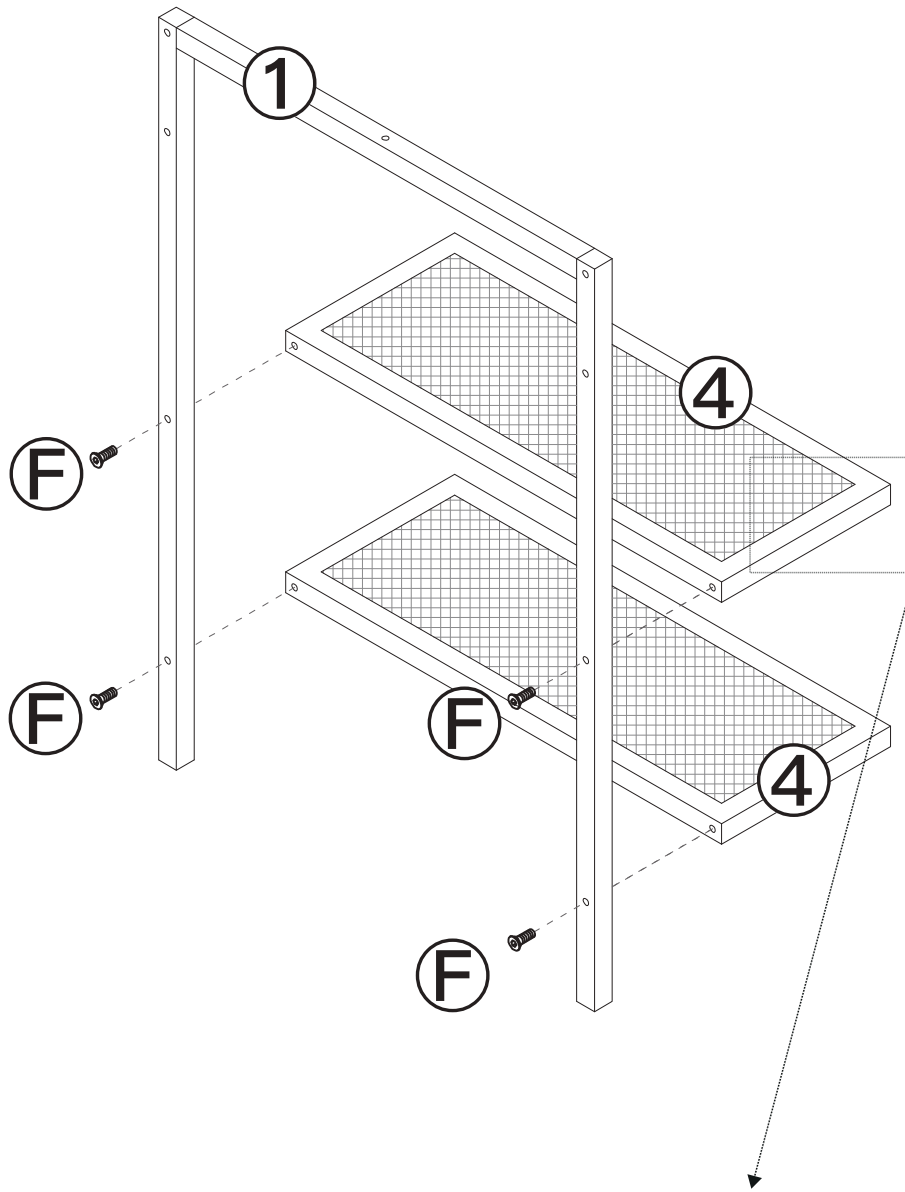
Step 17

L-shaped structure assembly completed

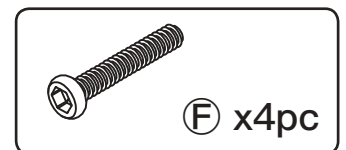
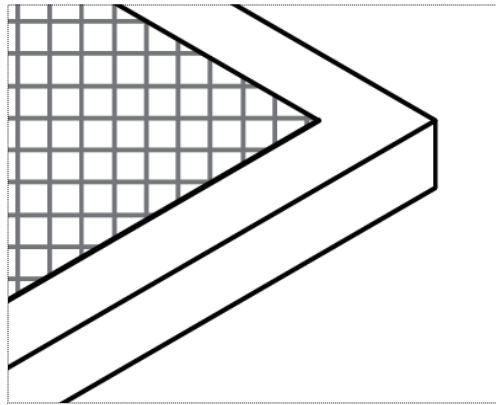
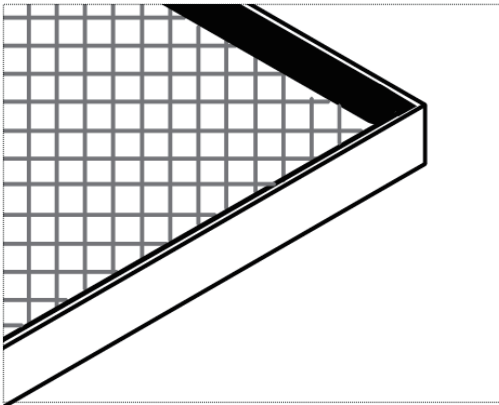


Assembly Instructions (linear structure)

Step 1

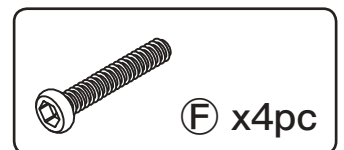
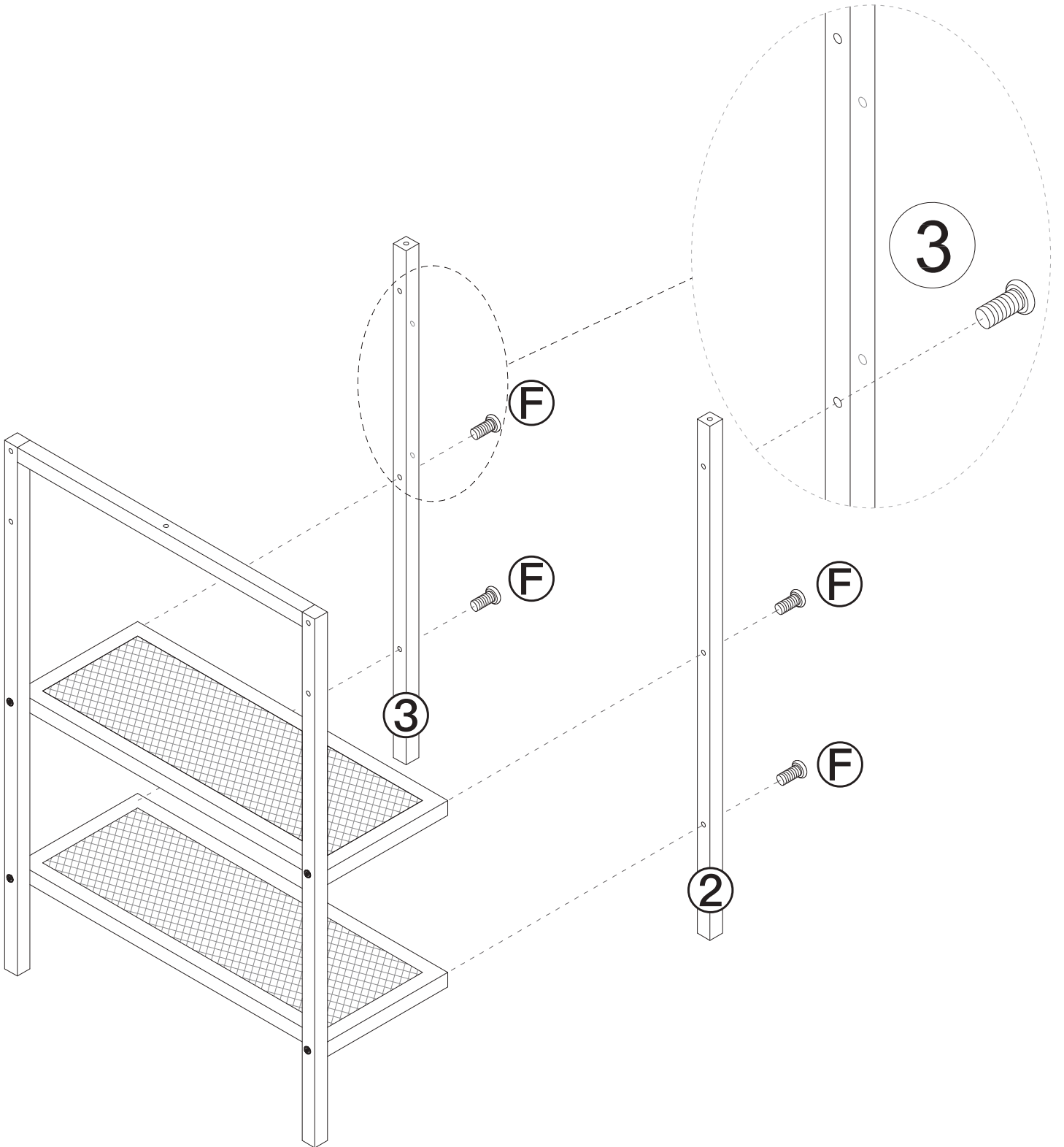


It does not distinguish between front and back and can be installed according to your needs.



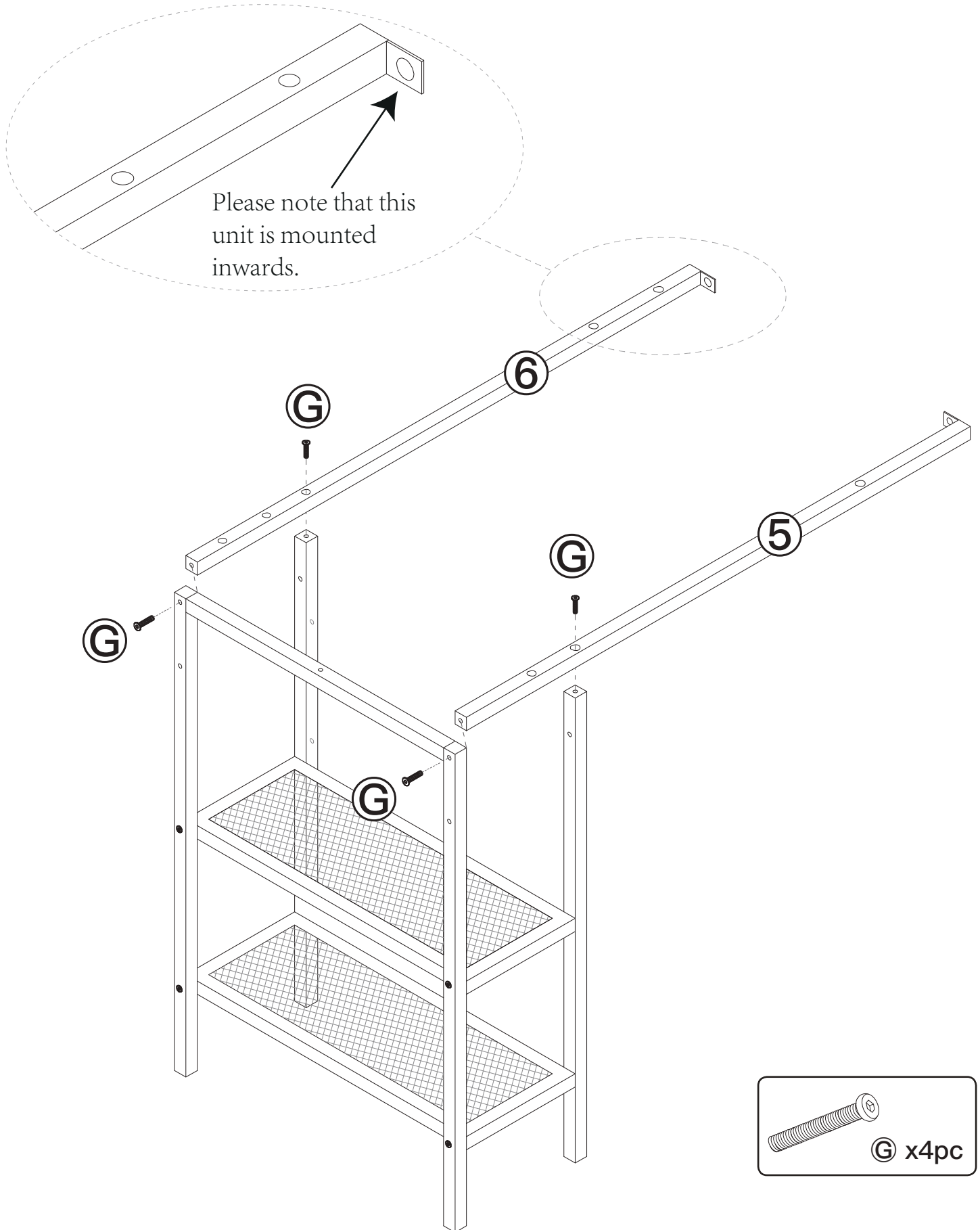
Assembly Instructions (linear structure)

Step 2



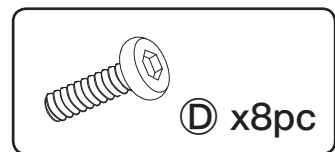
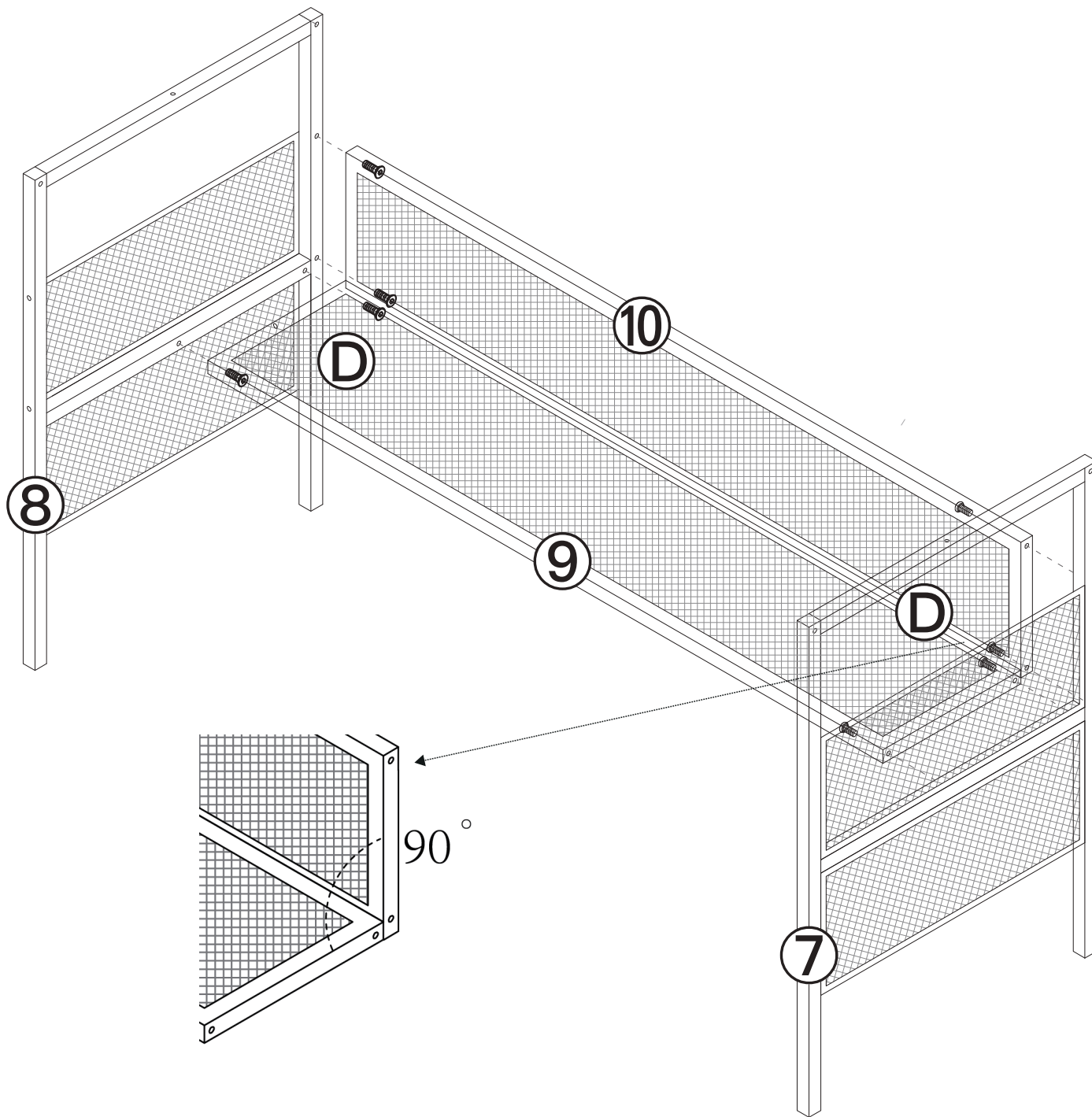
Assembly Instructions (linear structure)

Step 3



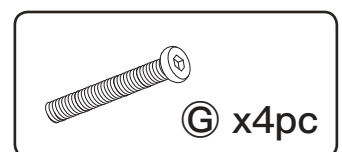
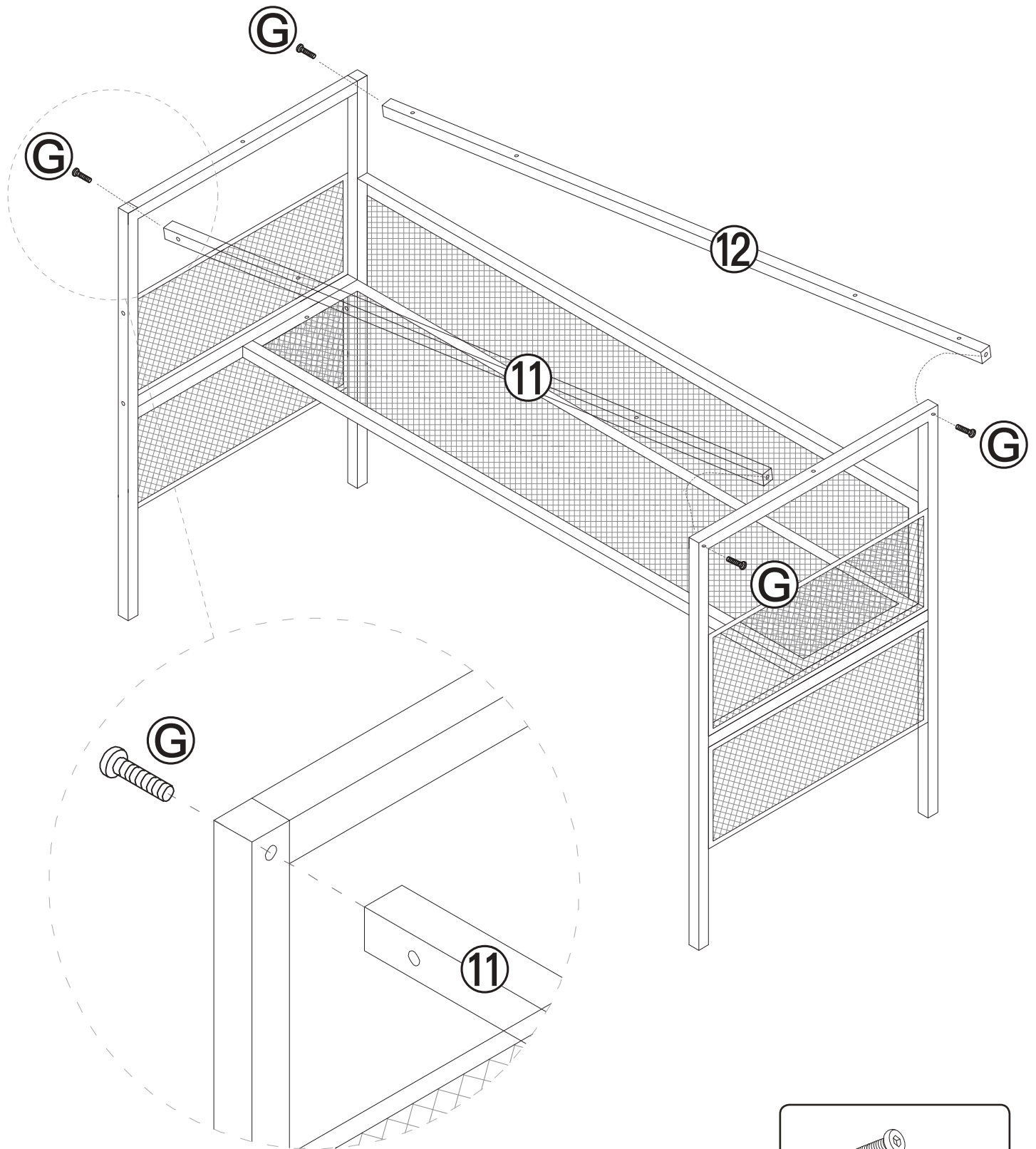
Assembly Instructions (linear structure)

Step 4



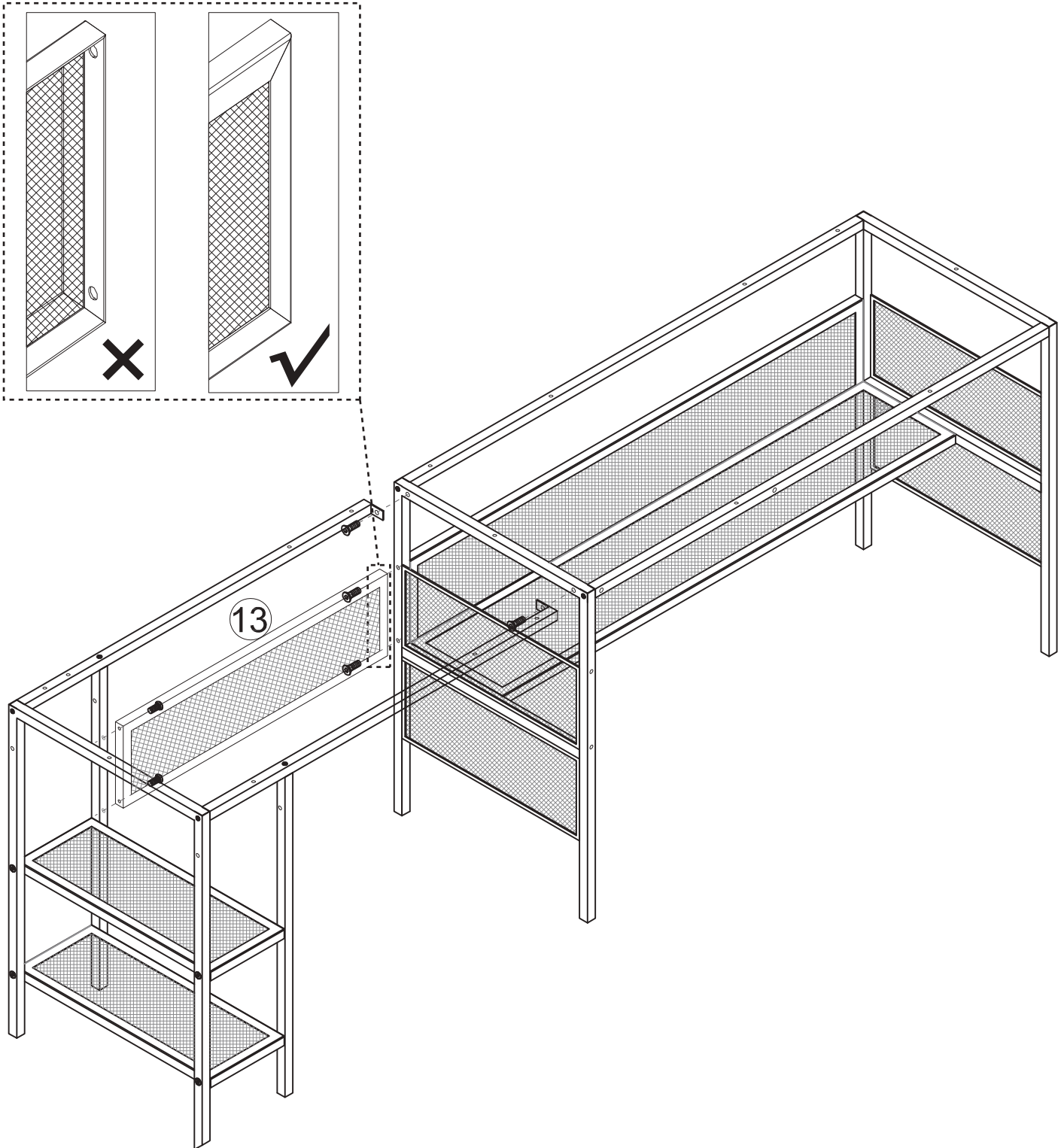
Assembly Instructions (linear structure)

Step 5

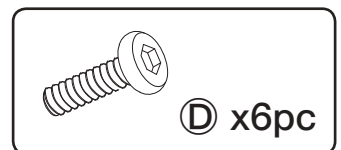


Assembly Instructions (linear structure)

Step 6

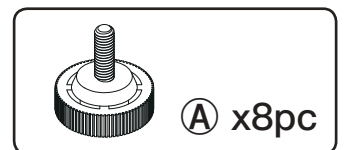
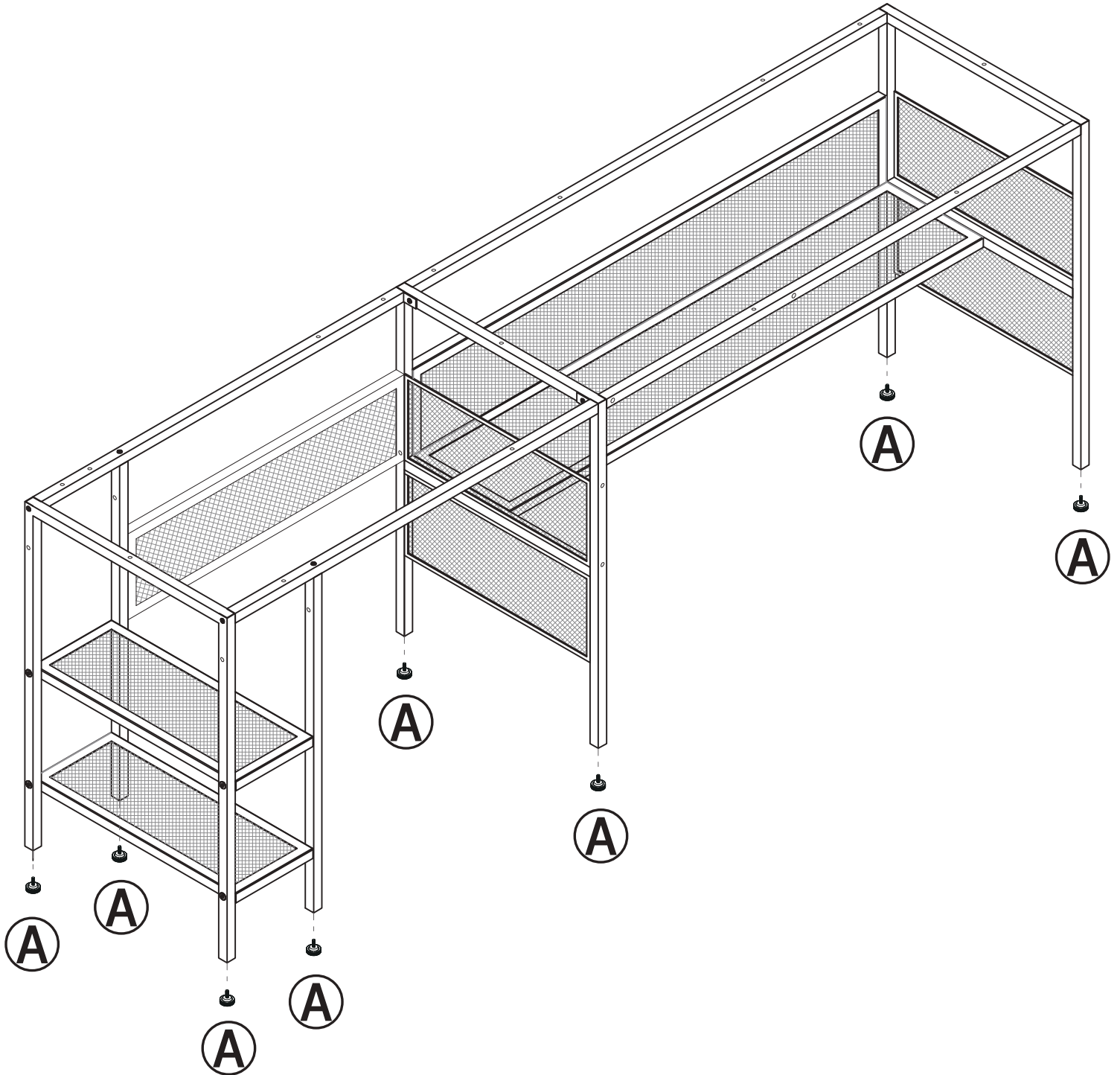


Tips:
If some hole don't match so that some screws cannot be installed, you could loosen the other screws also on this board slightly, and then those screws could be installed.



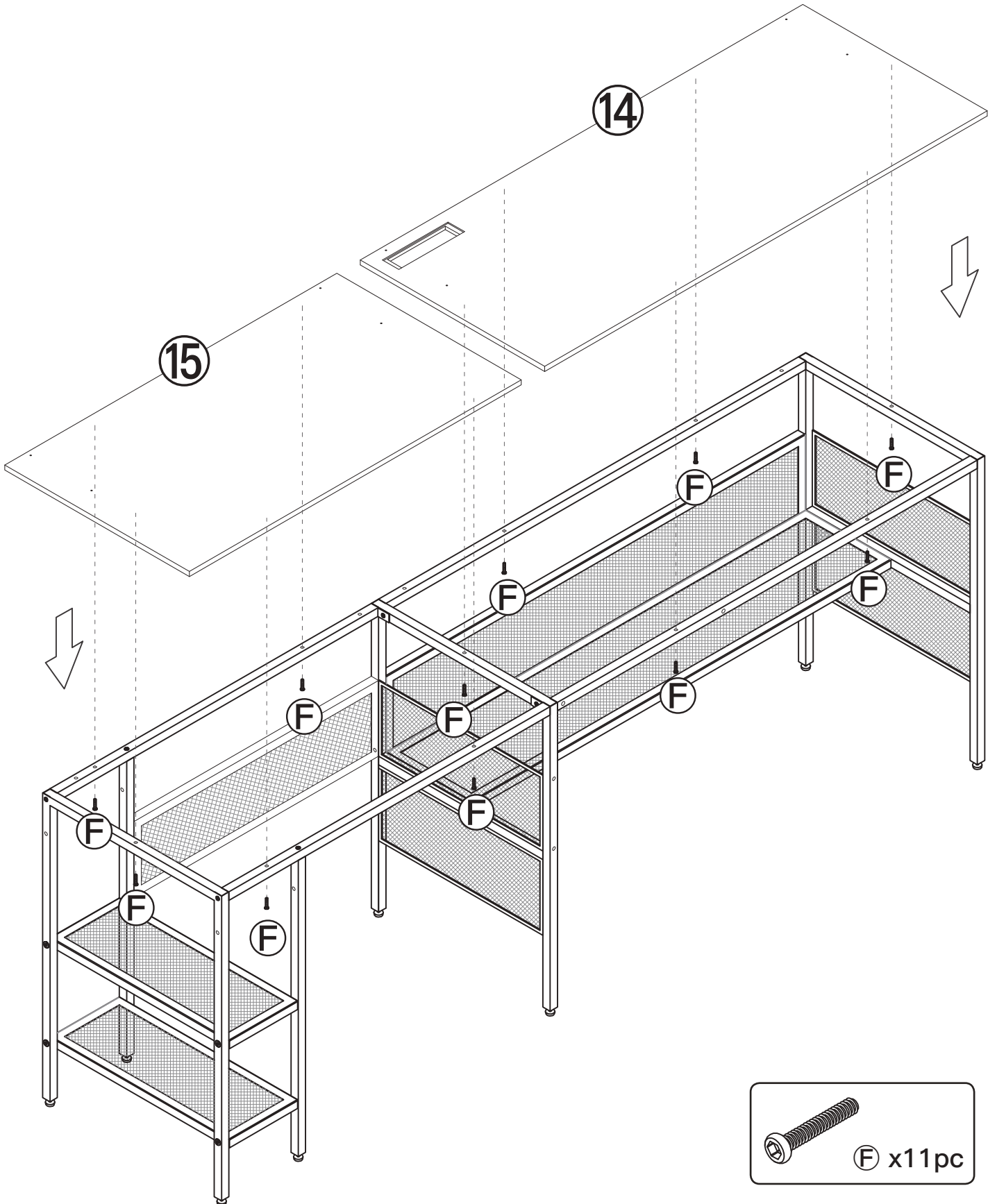
Assembly Instructions (linear structure)

Step 7



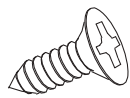
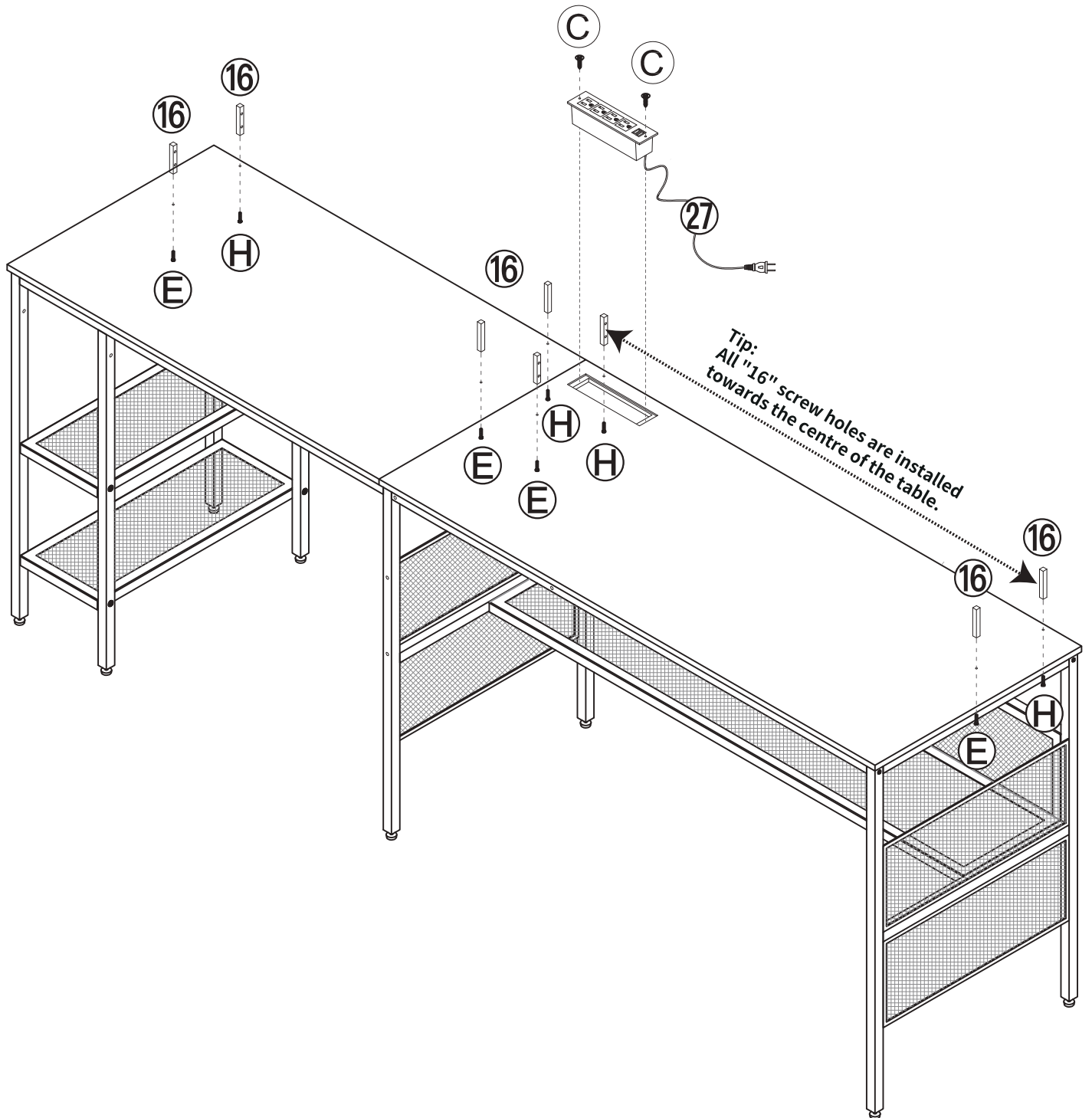
Assembly Instructions (linear structure)

Step 8

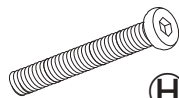


Assembly Instructions (linear structure)

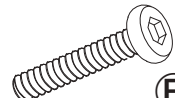
Step 9



C x2pc



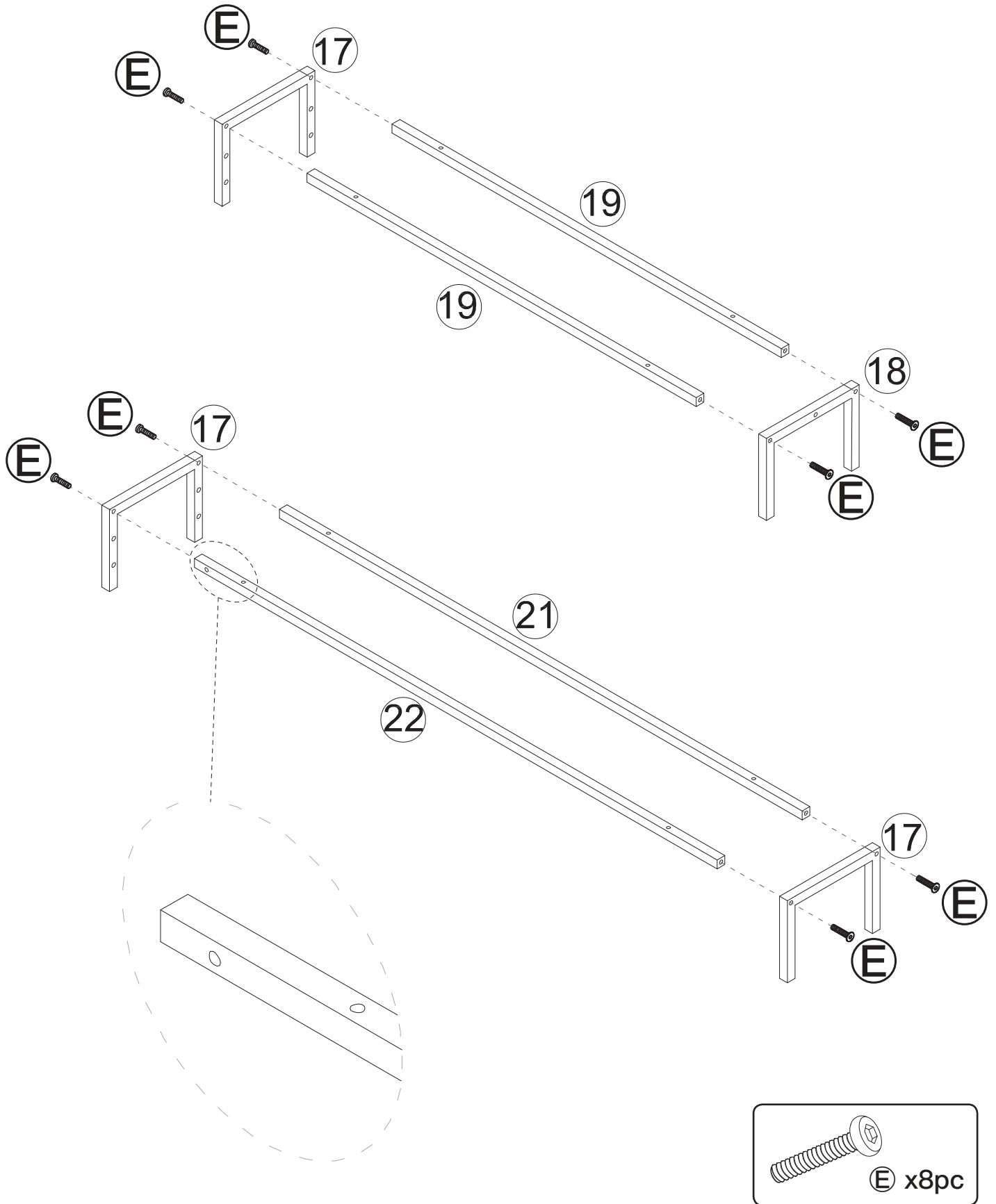
H x4pc



E x4pc

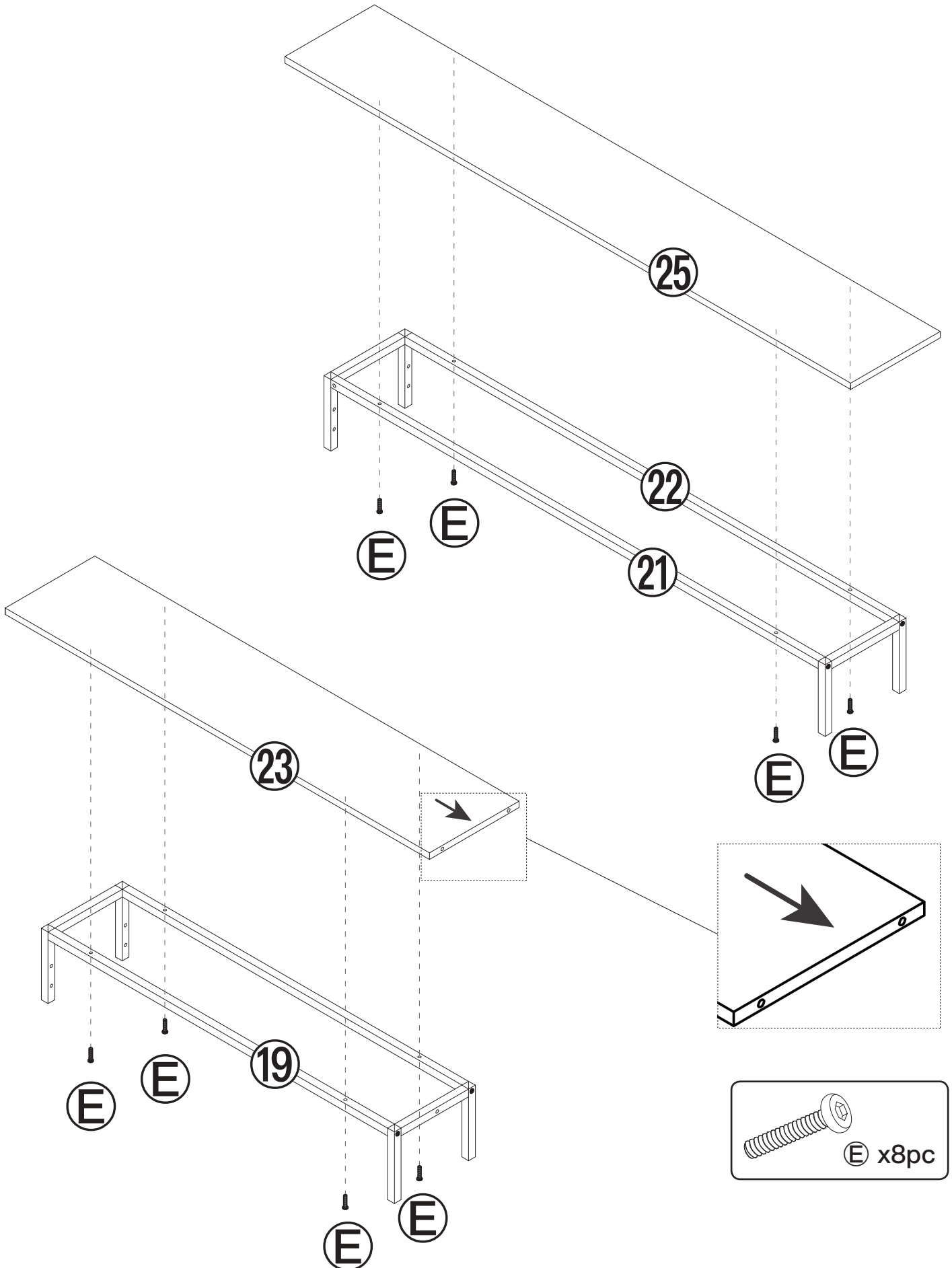
Assembly Instructions (linear structure)

Step 10



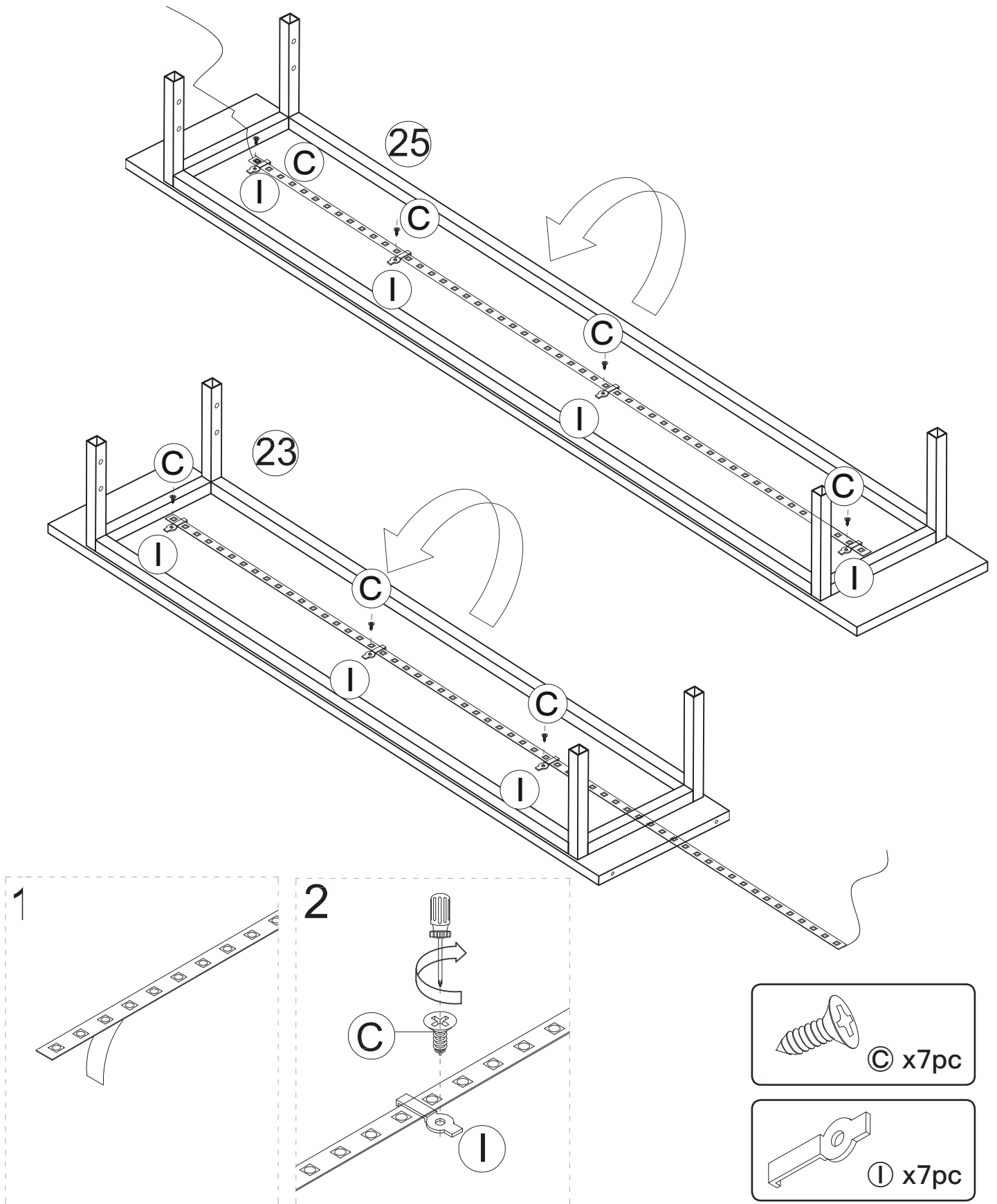
Assembly Instructions (linear structure)

Step 11



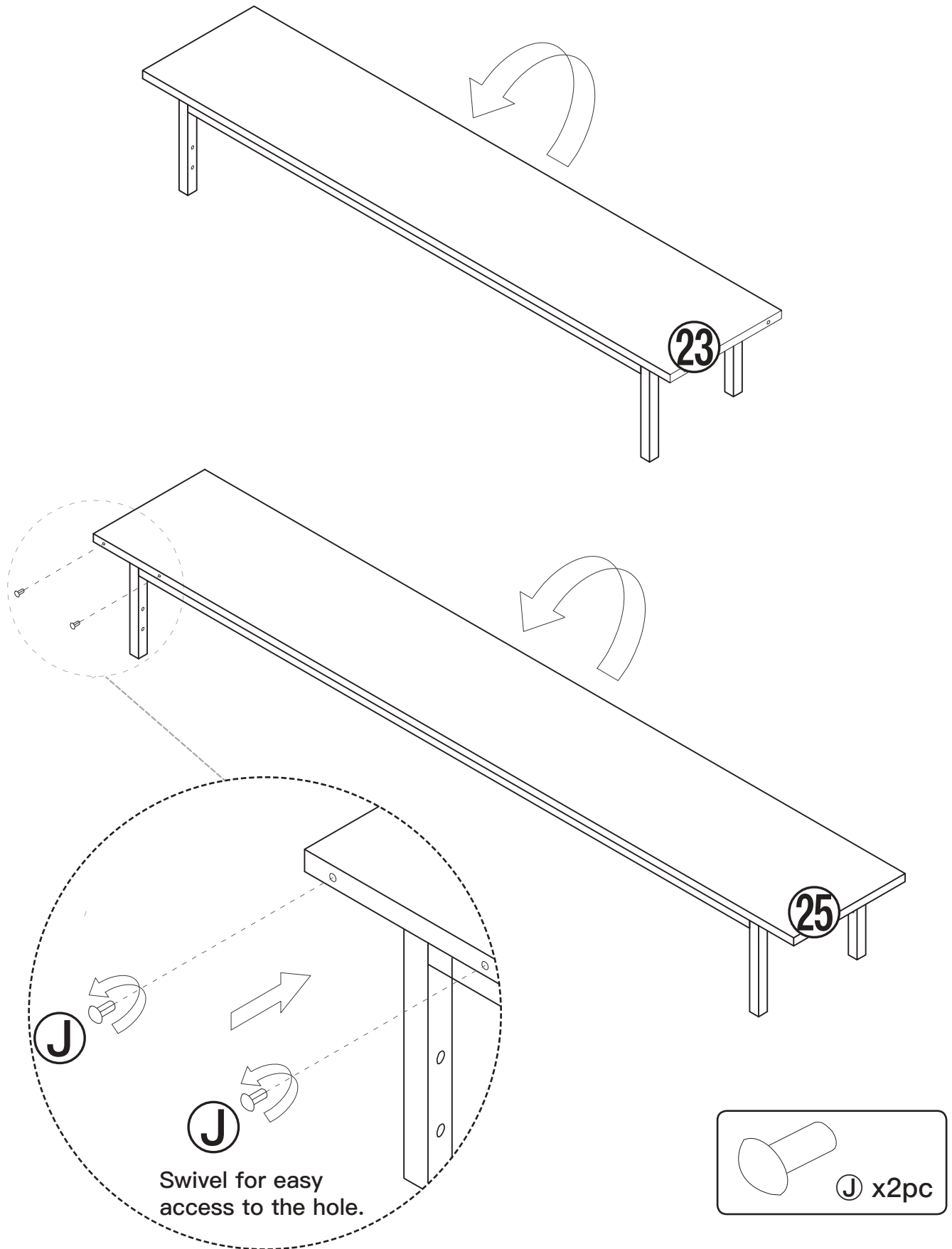
Assembly Instructions (linear structure)

Step 12



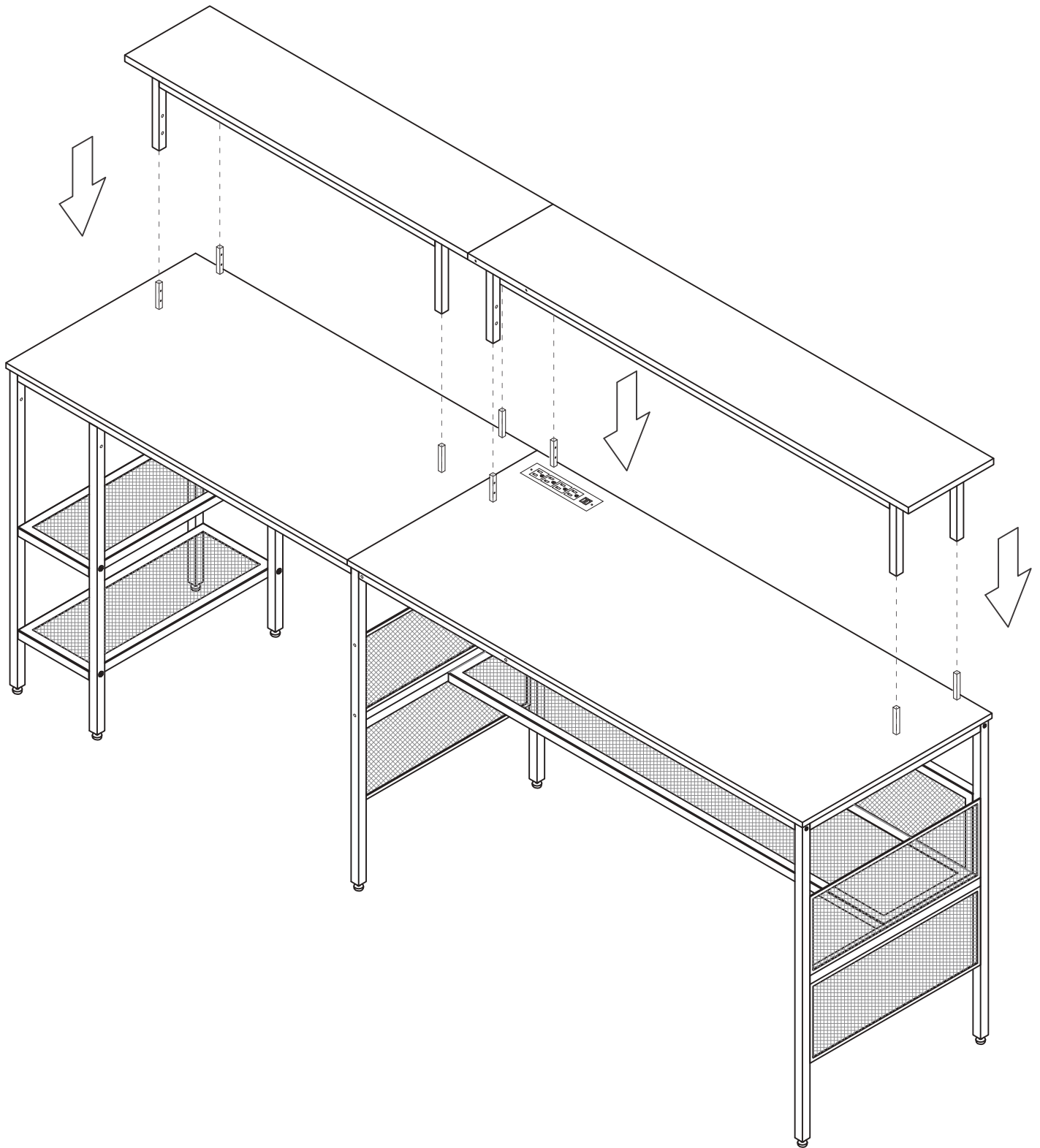
Assembly Instructions (linear structure)

Step 13



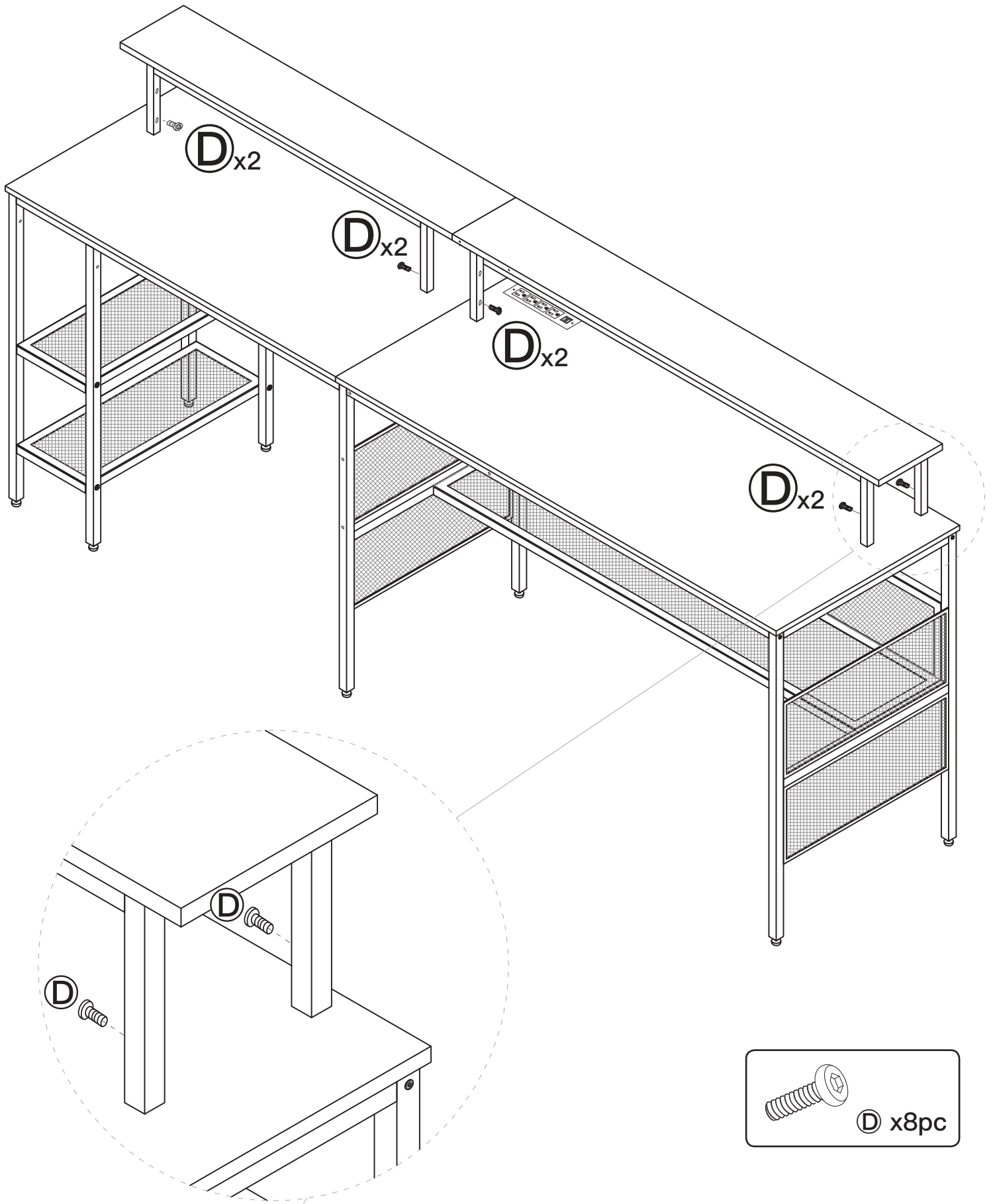
Assembly Instructions (linear structure)

Step 14



Assembly Instructions (linear structure)

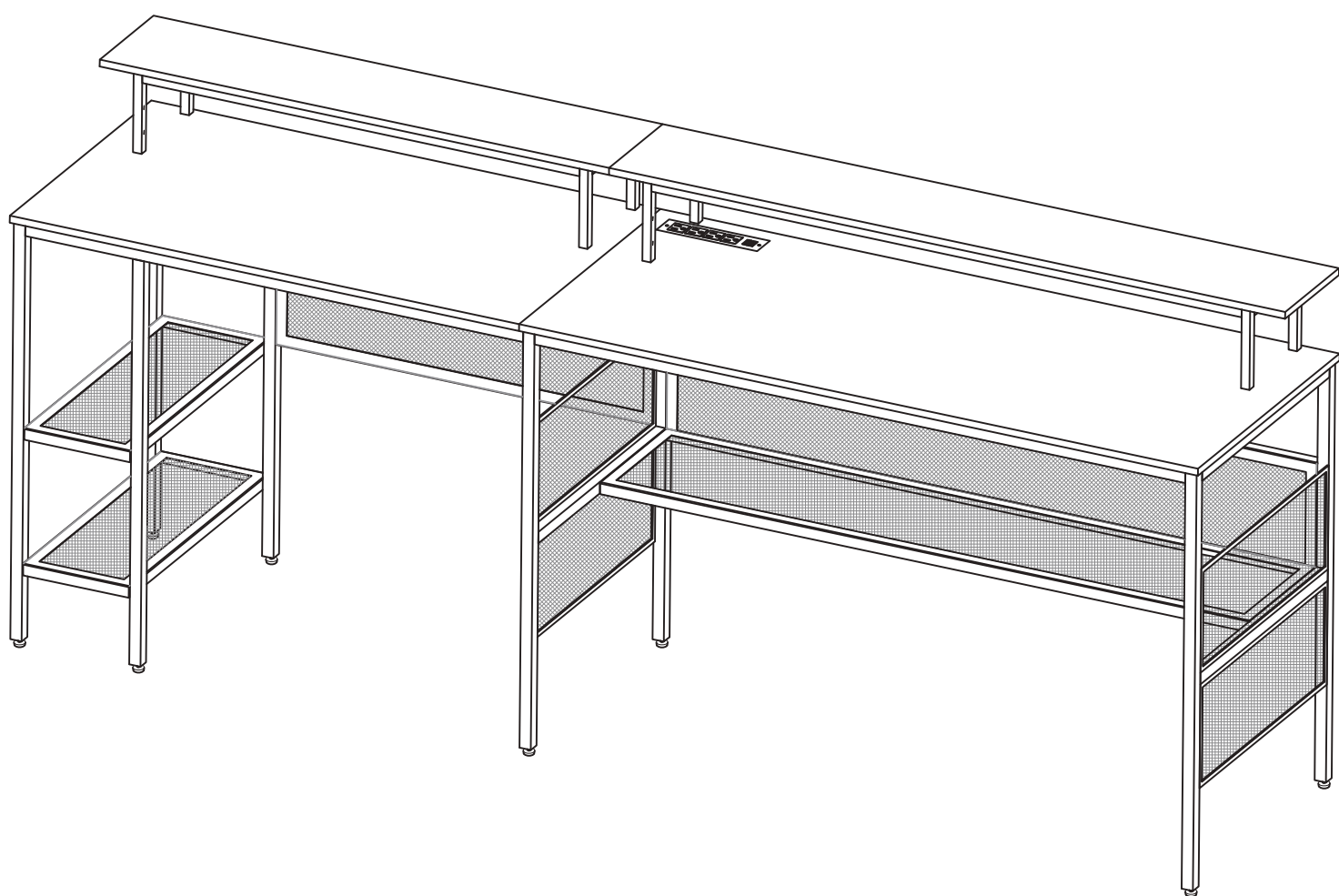
Step 15



Assembly Instructions (linear structure)

Step 16

Linear structure assembly completed.



WARRANTY

Thank you for choosing WASAGUN product. We sincerely hope that you are satisfied with it.

The manufacturer's warranty covers the product for a period of 12 months from the date of purchase against manufacturing faults. All warranties are automatically kept track of in our system, so there is no need to register your product.

Agent/Distributor is welcome to contact us. Email:info@wasagun.com.

Any help or questions during use, please contact us via website www.wasagun.com, send email to info@wasagun.com, we will service you within 24 hours. We suggest to provide a warranty card, a photo or a video if there' s broken spare part or not working machine so that we can be much more clear about your problems and offer you the best solution.



WASAGUN Warranty Card

Item name: _____

Model: _____

Serial No.: _____

Store name: _____

Purchase date: _____

Buyer's name: _____

Email: _____

Address: _____

Tel.: _____

Please fill in the table and email it within 10 days from the date of purchase.