

DRESSER

Assembly Instructions – Please keep for future reference

DD004



Read all instructions before assembly and use.
KEEP INSTRUCTIONS FOR FUTURE USE.

If you need assistance or find missing or damaged parts
in the package, contact us by mail: info@wasagun.com

WASAGUN

Important

Please read these instructions fully before starting assembly.

General Guidelines

- Make sure you have enough space to layout the parts before starting.
- Please read the following instructions carefully and use the product accordingly.
- This summary may not include every detail of all variations and considered steps. Please contact us when further information and help are needed.
- Please keep this manual and hand it over when you transfer the product.

Notes

- During assembly, align all screws with the corresponding pre-drilled holes first and then tighten them one by one. Inspect the screws regularly. Screws may become loose during long-term use. If necessary, retighten them to ensure stability and security.
- Please avoid long-term exposure to humid environment to prevent mildew.
- Regular dusting with a dry cloth will keep your units.
- Clean marks with a damp cloth.
- Do not allow spillages to stay on the surface.
- To remove stubborn stains, wipe with a damp cloth and washing up.
- Do not use abrasive cleaners.
- Product is intended for indoor use only. It must be assembled and used according to the instructions. The seller does not accept any responsibility for damage or injury resulting from improper assembly or use.

Warnings

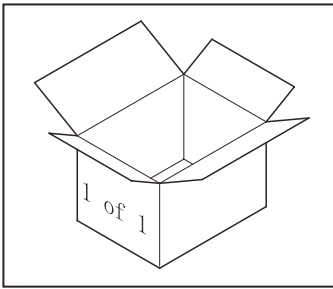
- Avoid sharp objects and corrosive chemicals to prevent damage to the product or bodily injury.
- Keep plastic packing bags out of reach of children to avoid any potential danger, such as suffocation.
- Children are not allowed to assemble the product. During assembly, keep any small part out of reach of children as they may be fatal if swallowed or inhaled.
- Children are not allowed to stand, climb or play on the product to avoid serious bodily injury by the toppling.

MANUFACTURERS: GUANGZHOU HOMY CASA CO, .LTD.
Add.:705-1,BUILDING NO.2,134 XIHUA ROAD,LIWAN DISTRICT,GUANGZHOU,CHINA
Contact: Carl Tel: +1 (838) 910-8241 E-Mail: info@wasagun.com

Components

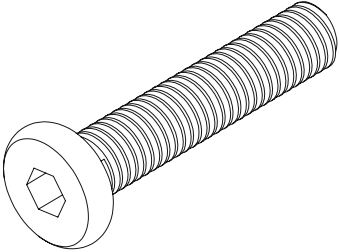
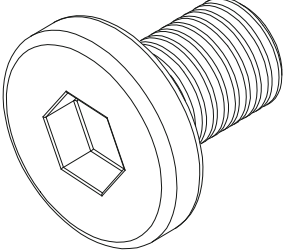
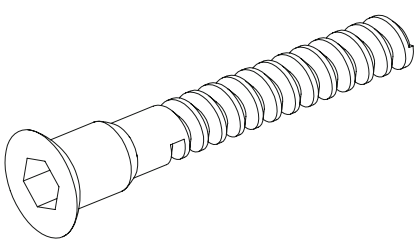
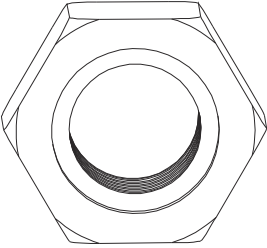
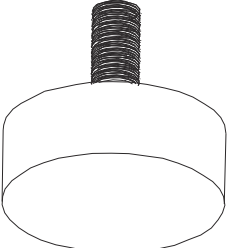
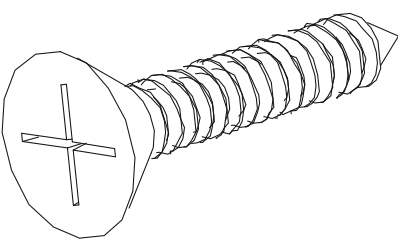
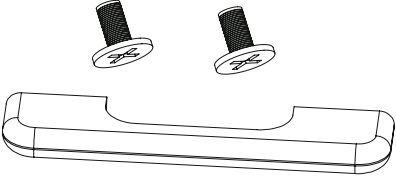
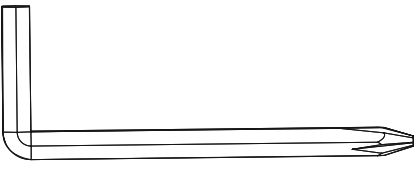
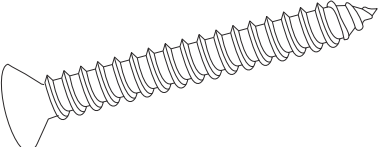
If you need assistance or find missing or damaged parts in the package, contact us by mail: info@wasagun.com

Please check all parts below under a good condition before you install the dresser.



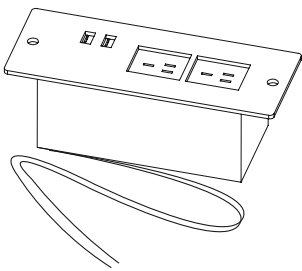
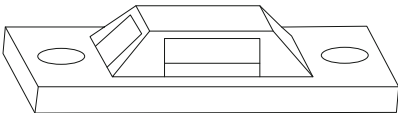

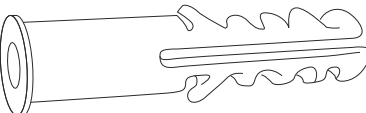
Tips:

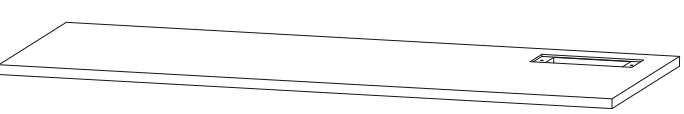

- 1.The number of screws refers to the screws actually needed, but we will add some more screws as reserve.
- 2.Some holes are not predrilled, it is recommended to use electric screwdriver.
- 3.If some hole don't match so that some screws cannot be inserted, you could loosen the other screws also on this board slightly,insert those screws and then you could tighten all screws easily.

<p>A</p>  <p>24 PC</p>	<p>B</p>  <p>9 PC</p>	<p>C</p>  <p>4 PC</p>
<p>D</p>  <p>1 PC</p>	<p>E</p>  <p>4 PC</p>	<p>F</p>  <p>2 PC</p>
<p>G</p>  <p>9 PC</p>	<p>H</p>  <p>1 PC</p>	<p>I</p>  <p>4 PC</p>

Components

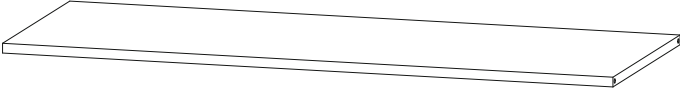
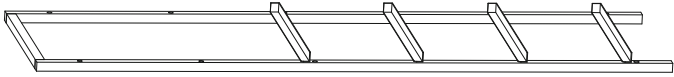
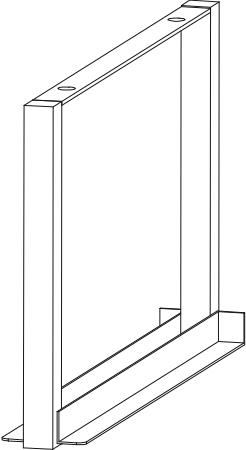
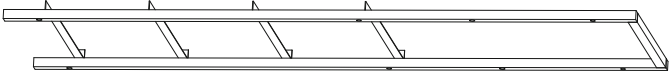
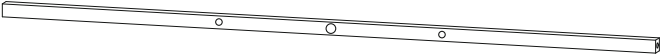
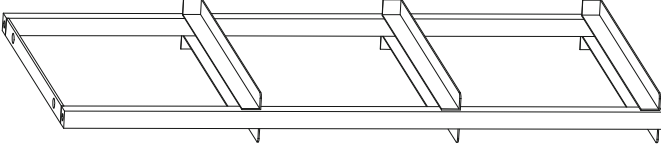
If you need assistance or find missing or damaged parts in the package, contact us by mail: info@wasagun.com

<p>J</p>  <p>1 PC</p>	<p>K</p>  <p>2 PC</p>	<p>L</p>  <p>2 PC</p>
<p>M</p>  <p>4 PC</p>		

<p>1</p>  <p>1 PC</p>	<p>2</p>  <p>2 PC</p>
--	--

Components

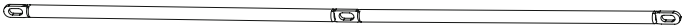
If you need assistance or find missing or damaged parts in the package, contact us by mail: info@wasagun.com

<p>③</p>  <p>1 PC</p>	<p>④</p>  <p>1 PC</p>
<p>⑤</p>  <p>2 PC</p>	<p>⑥</p>  <p>1 PC</p>
<p>⑦</p>  <p>2 PC</p>	<p>⑧</p>  <p>1 PC</p>

Components

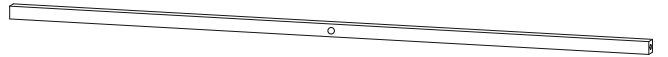
If you need assistance or find missing or damaged parts in the package, contact us by mail: info@wasagun.com

9



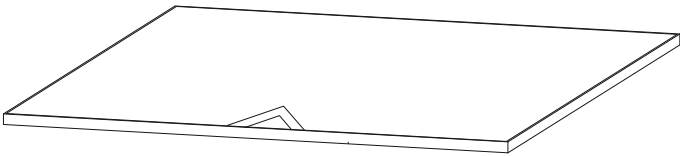
2 PC

10



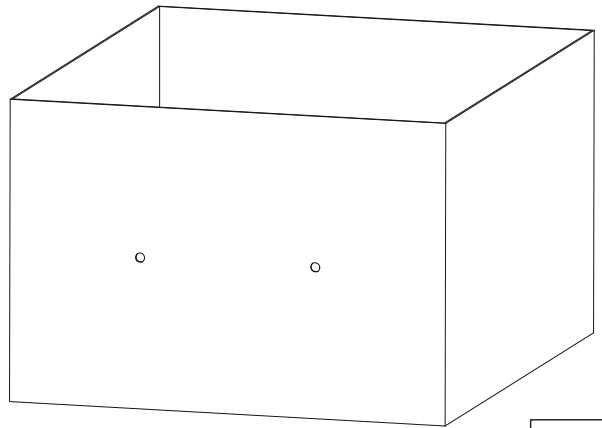
2 PC

11



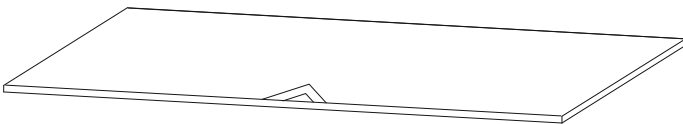
3 PC

12



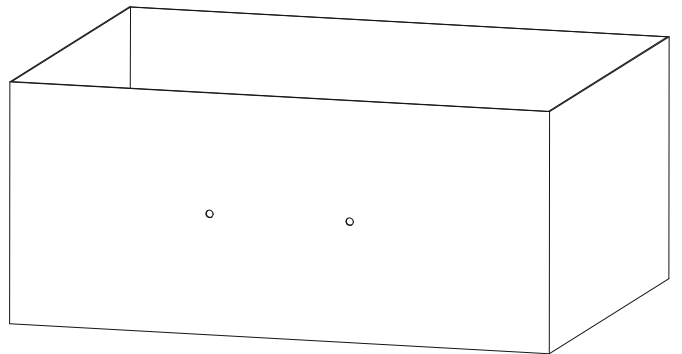
3 PC

13



6 PC

14

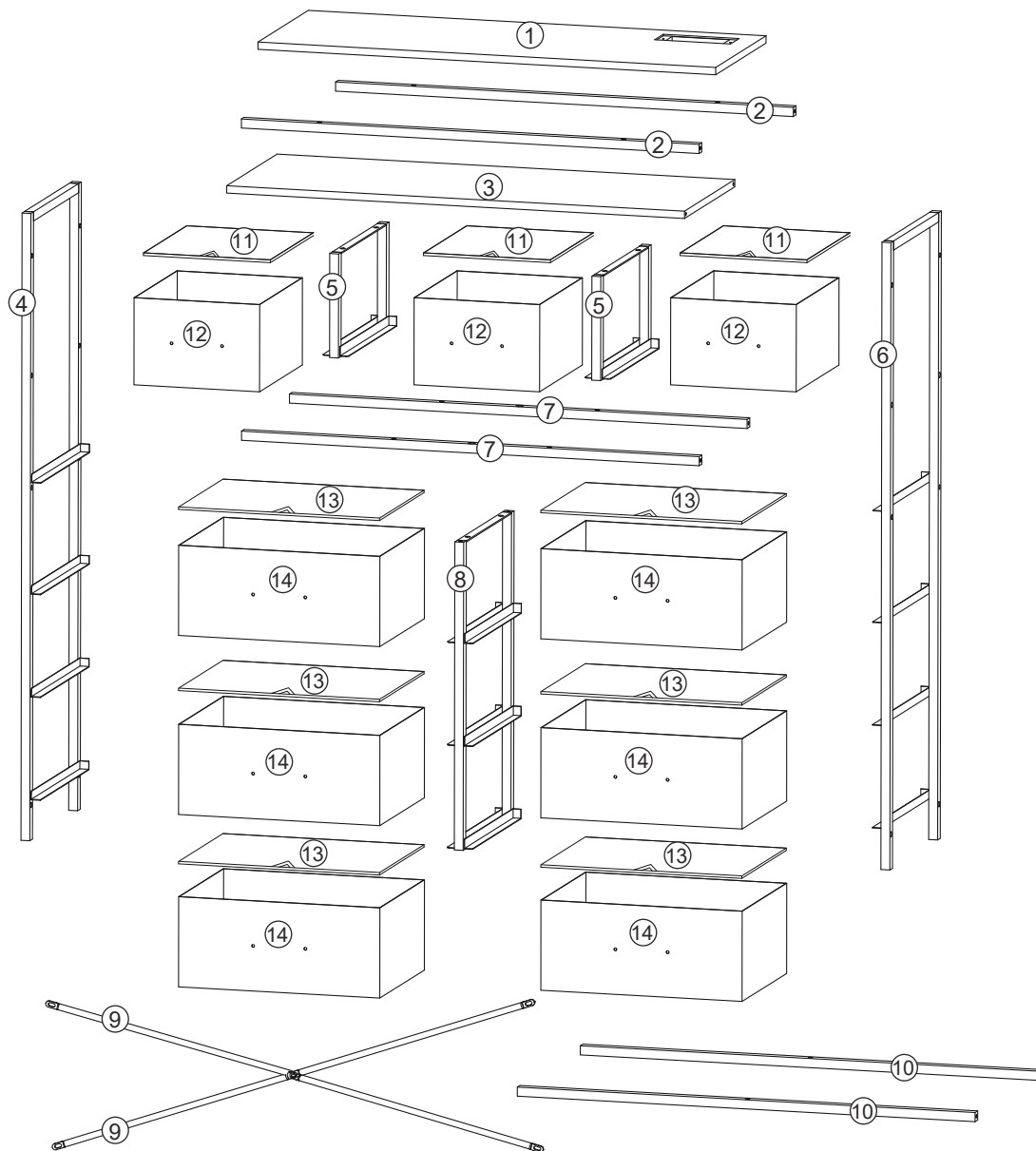


6 PC

EXPLODED

If you need assistance or find missing or damaged parts in the package, contact us by mail: info@wasagun.com

Please check all parts below under a good condition before you install the dresser.

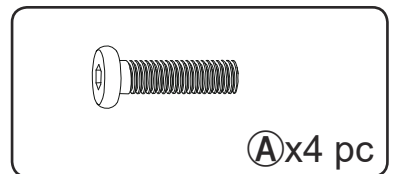
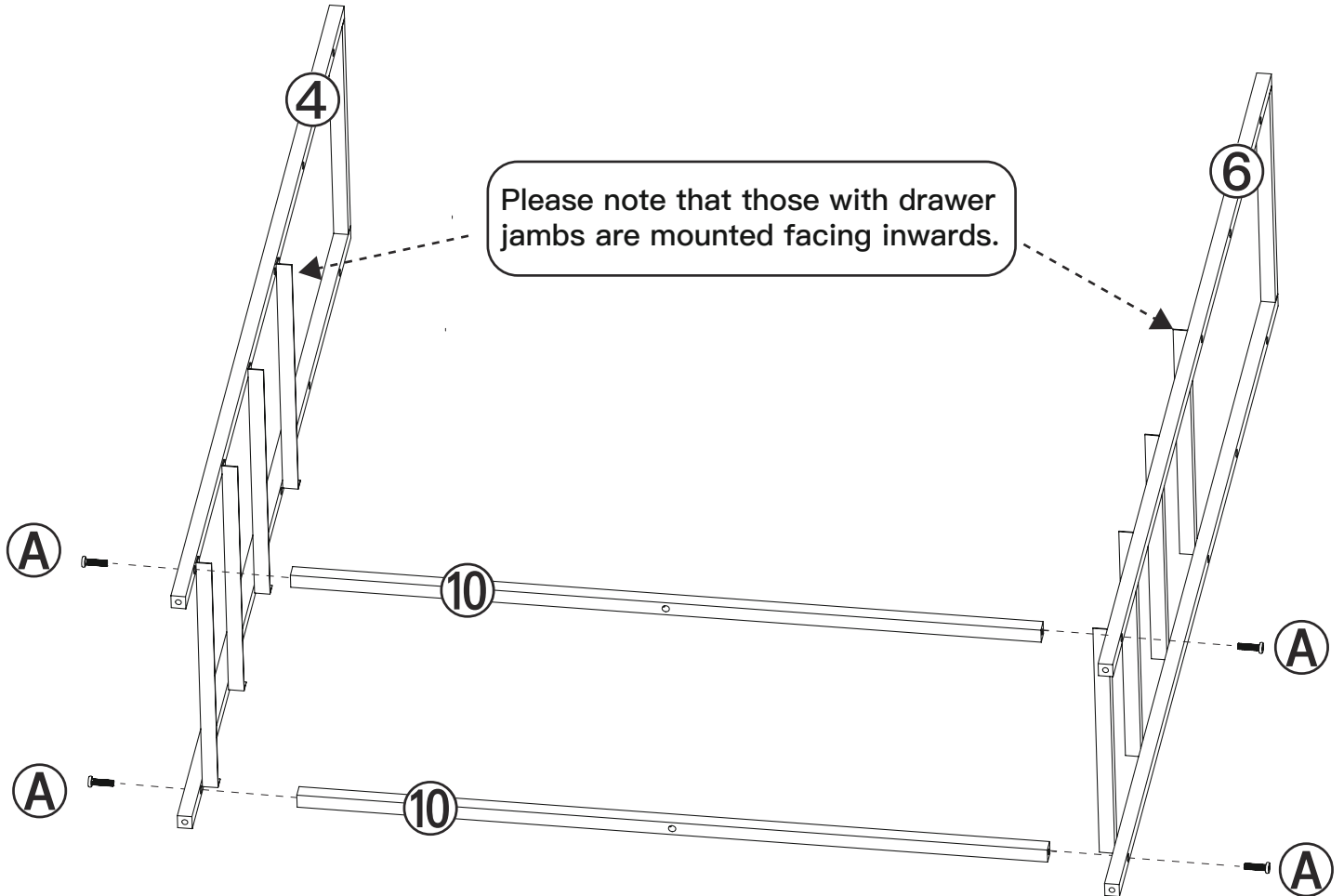


COMPLETE



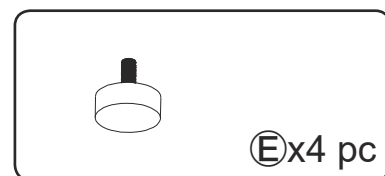
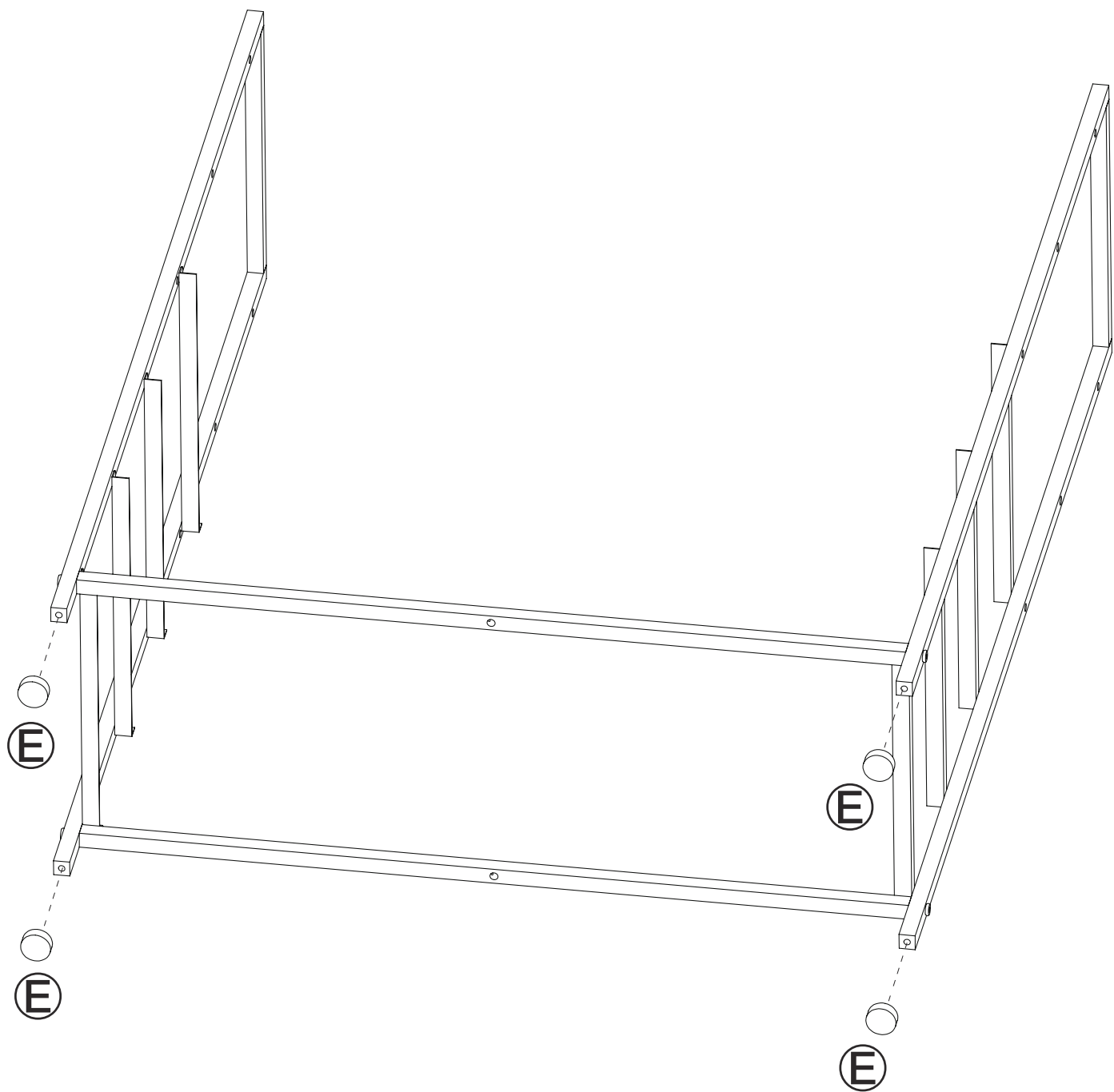
Assembly Instructions

Step 1



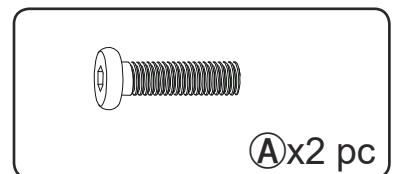
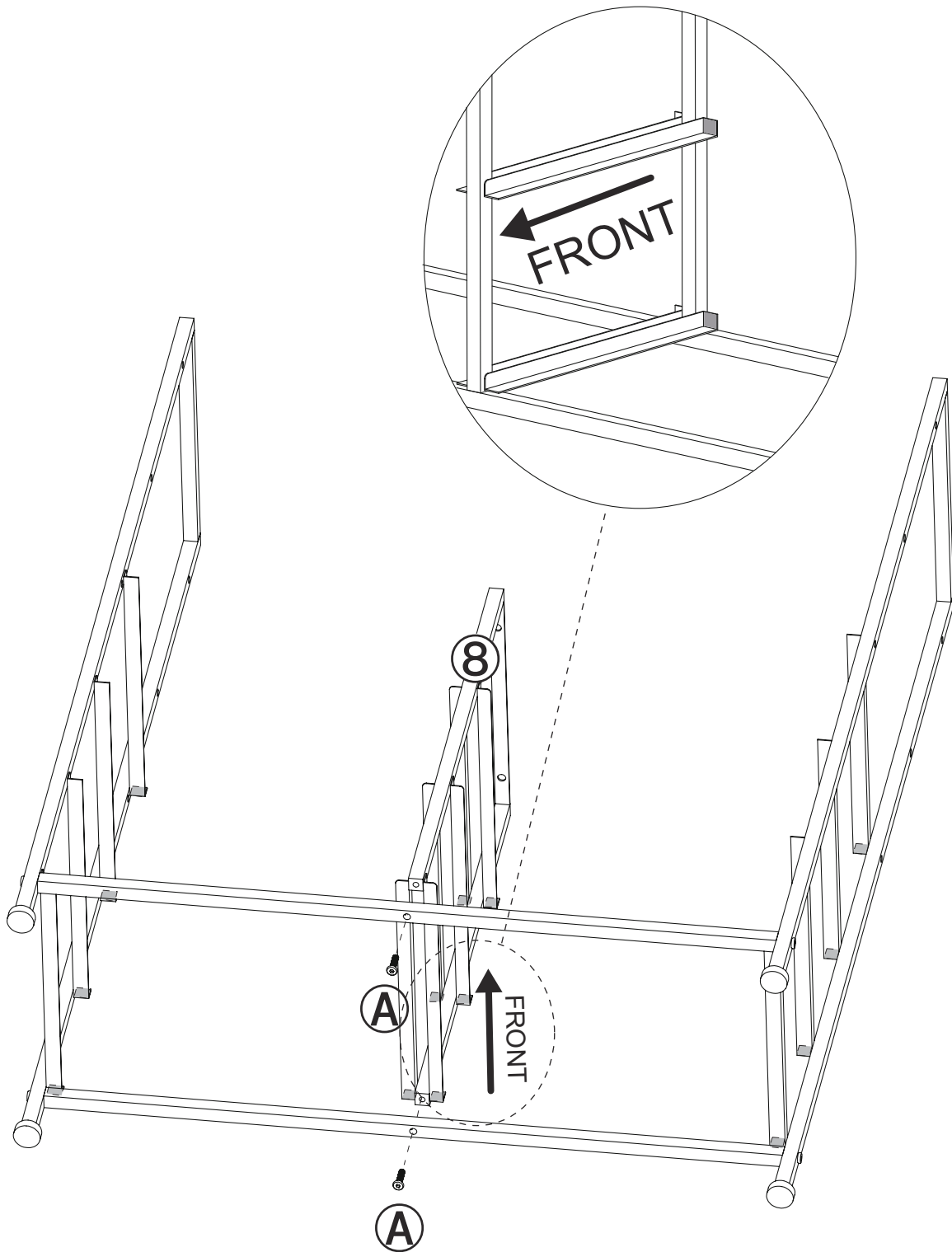
Assembly Instructions

Step 2



Assembly Instructions

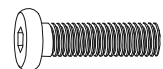
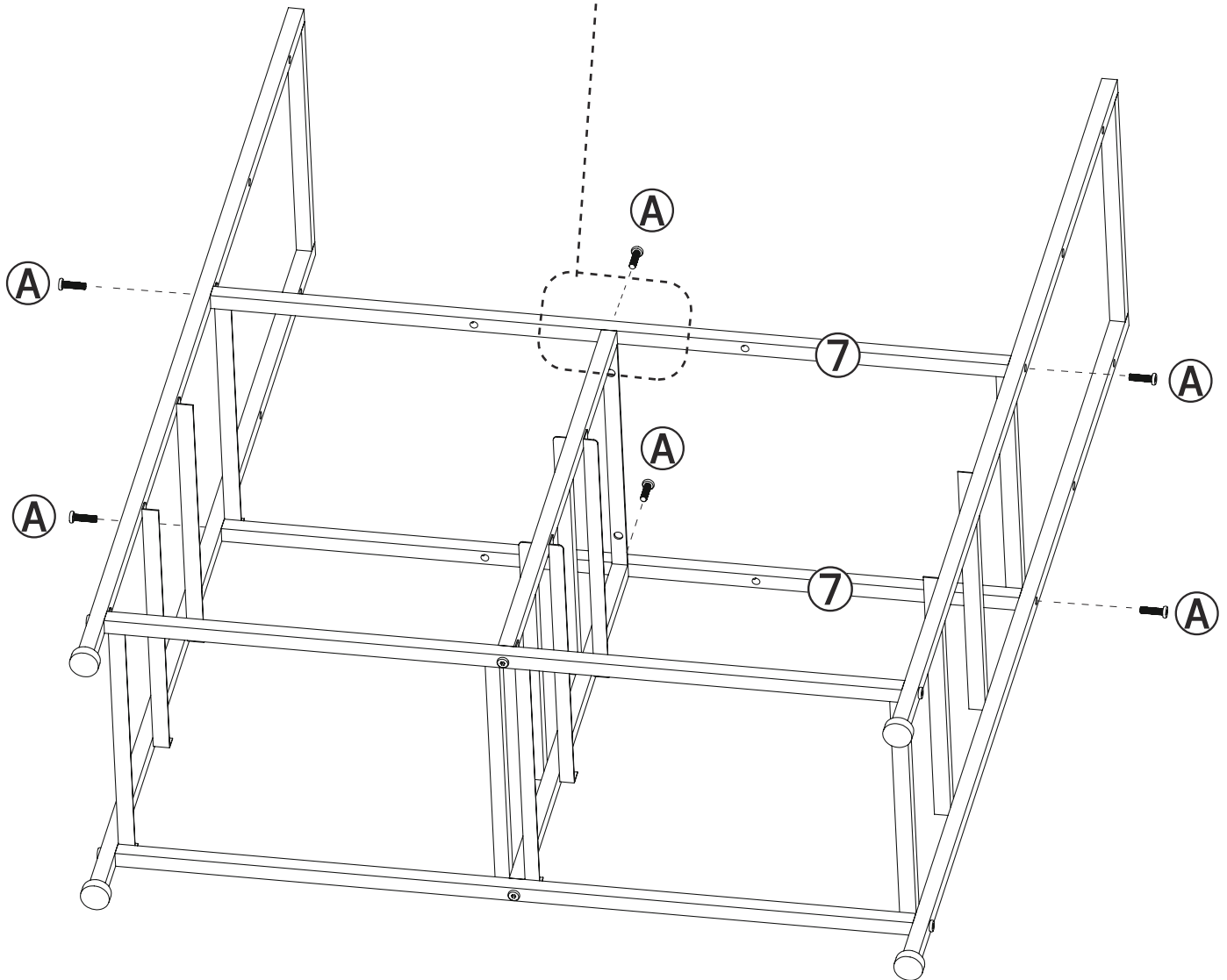
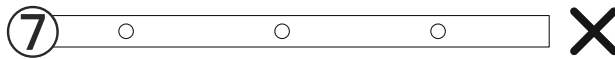
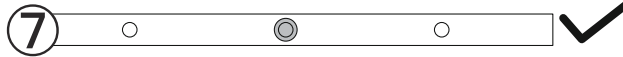
Step 3



Assembly Instructions

Step 4

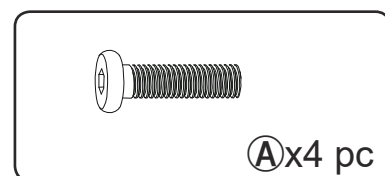
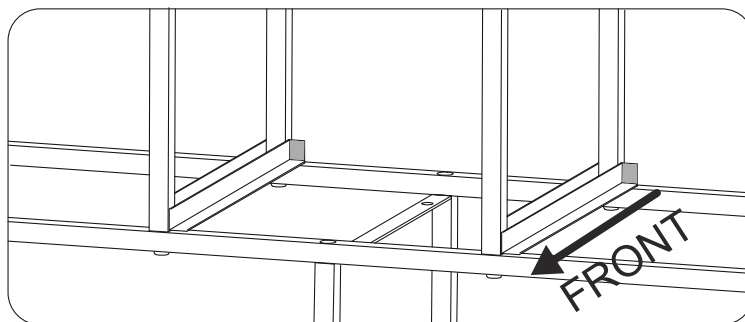
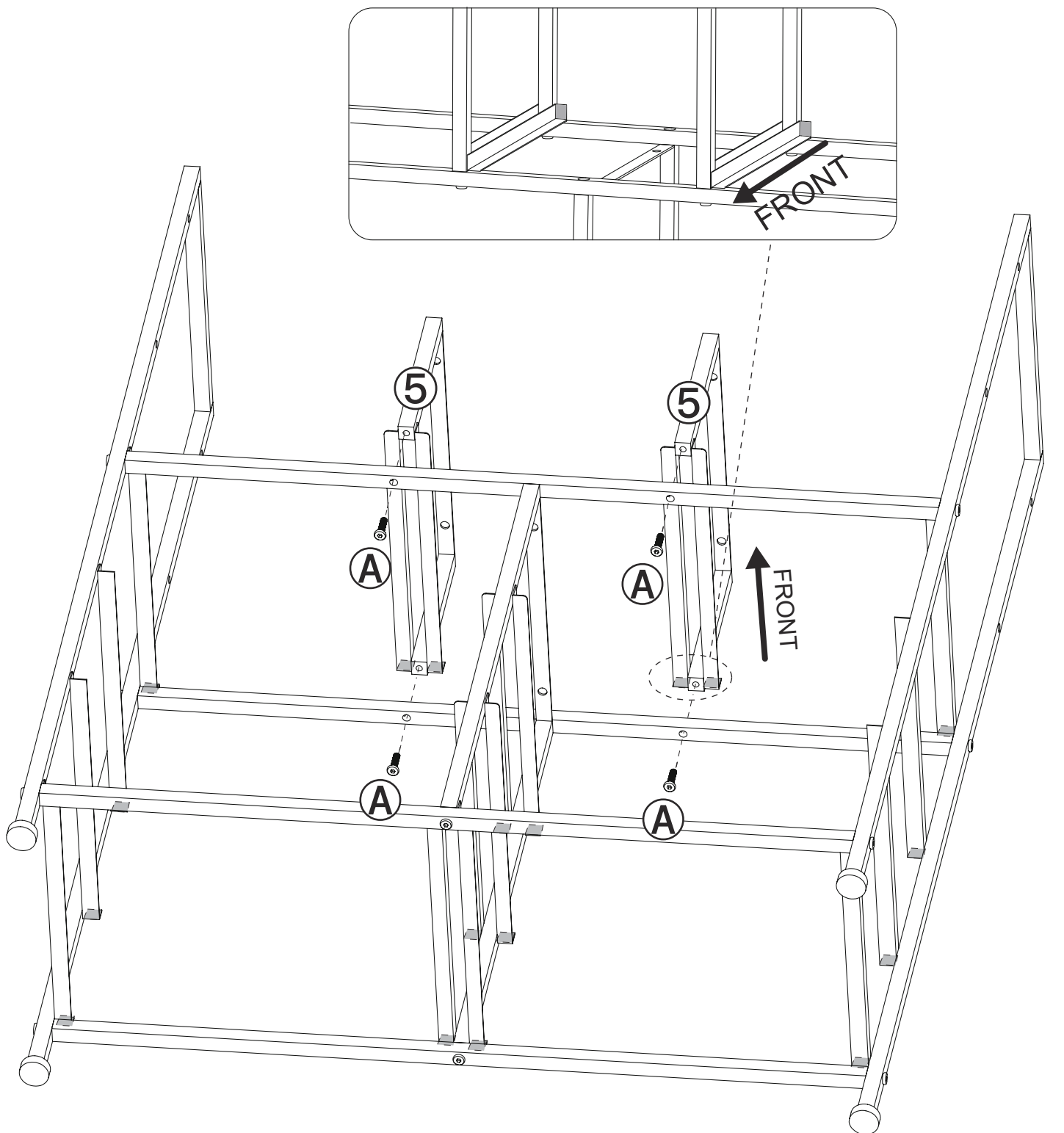
Tip: The larger holes are mounted facing upwards.



Ax6 pc

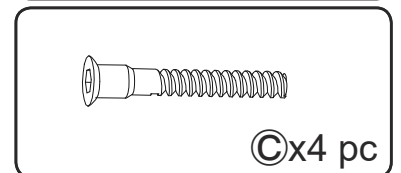
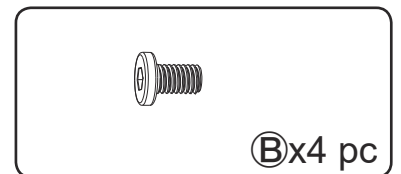
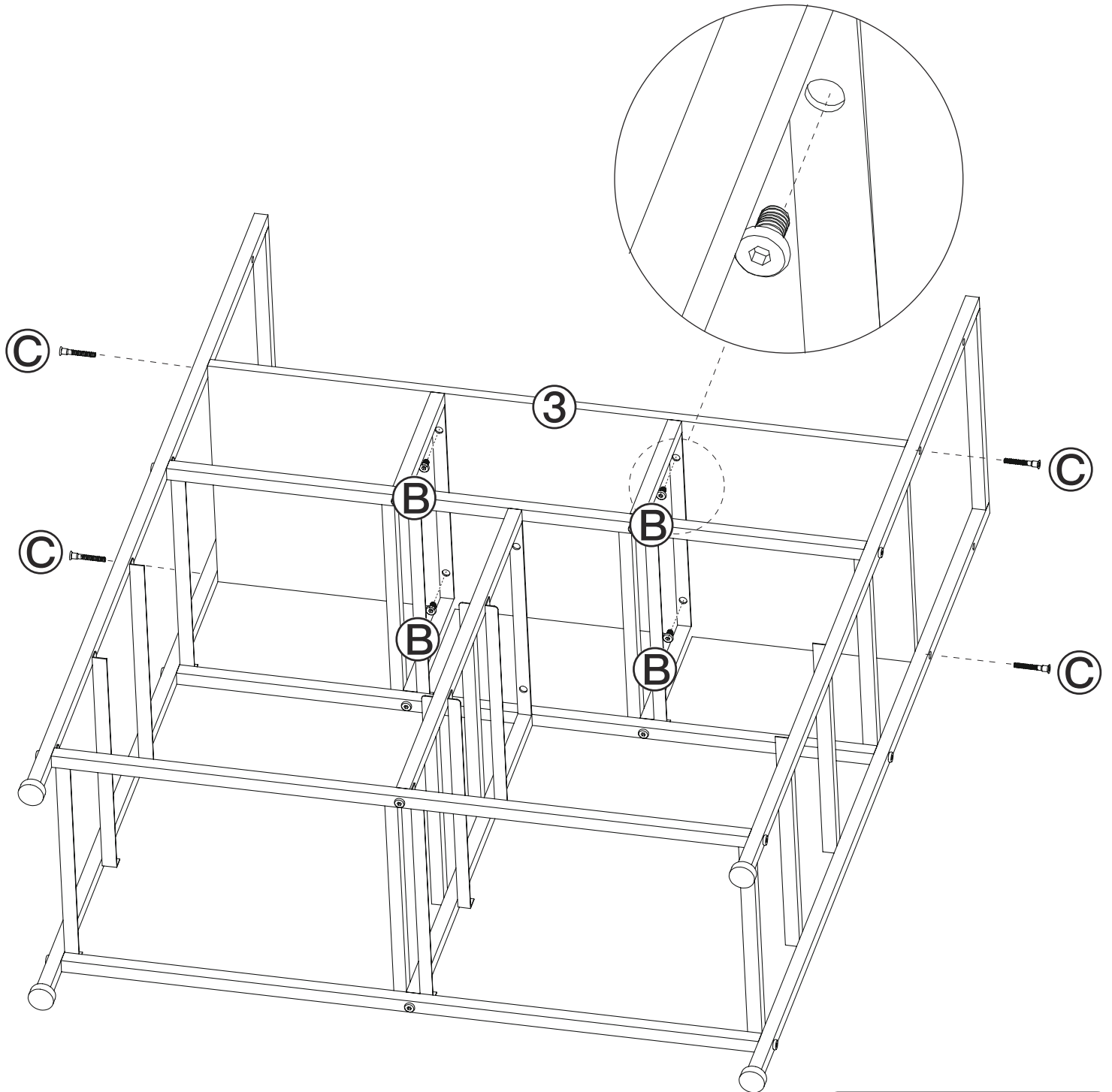
Assembly Instructions

Step 5



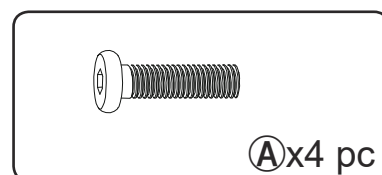
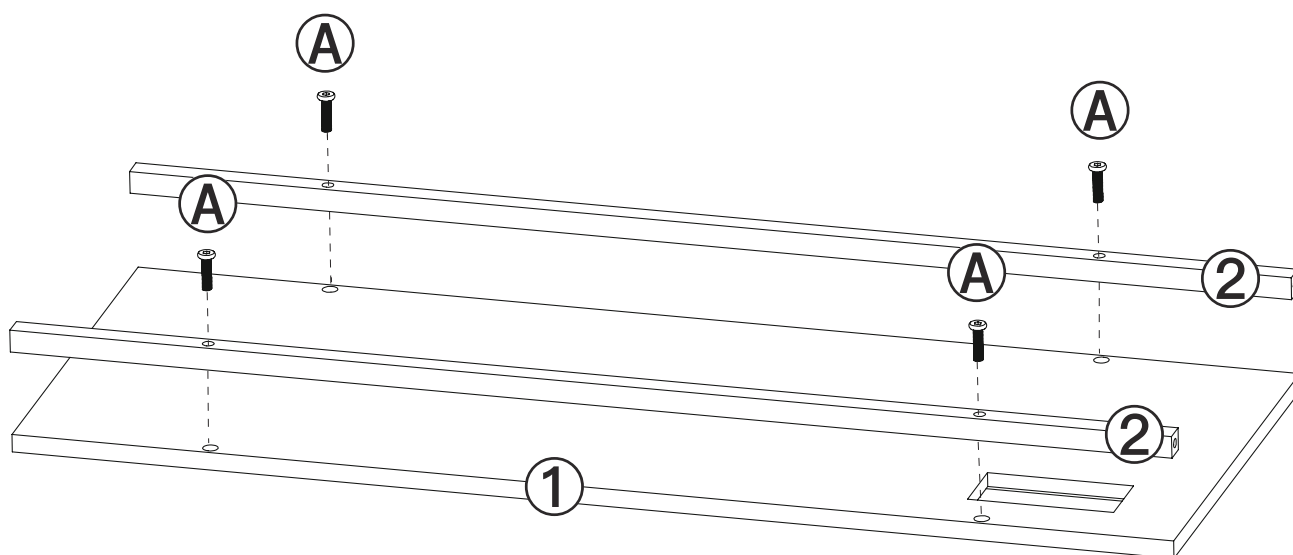
Assembly Instructions

Step 6



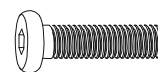
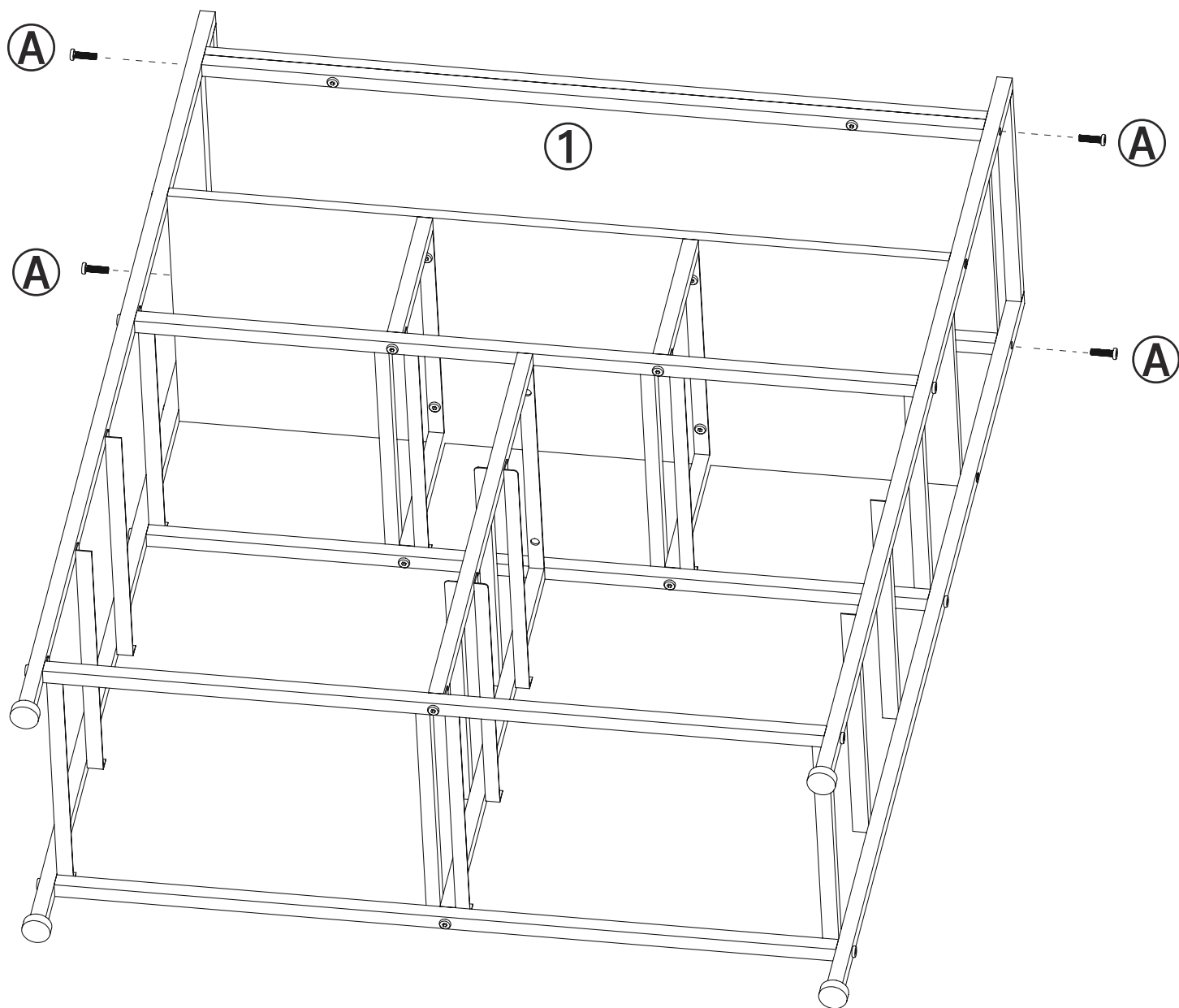
Assembly Instructions

Step 7



Assembly Instructions

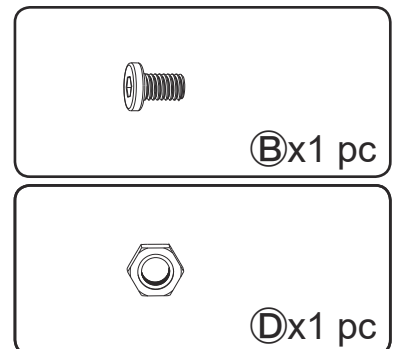
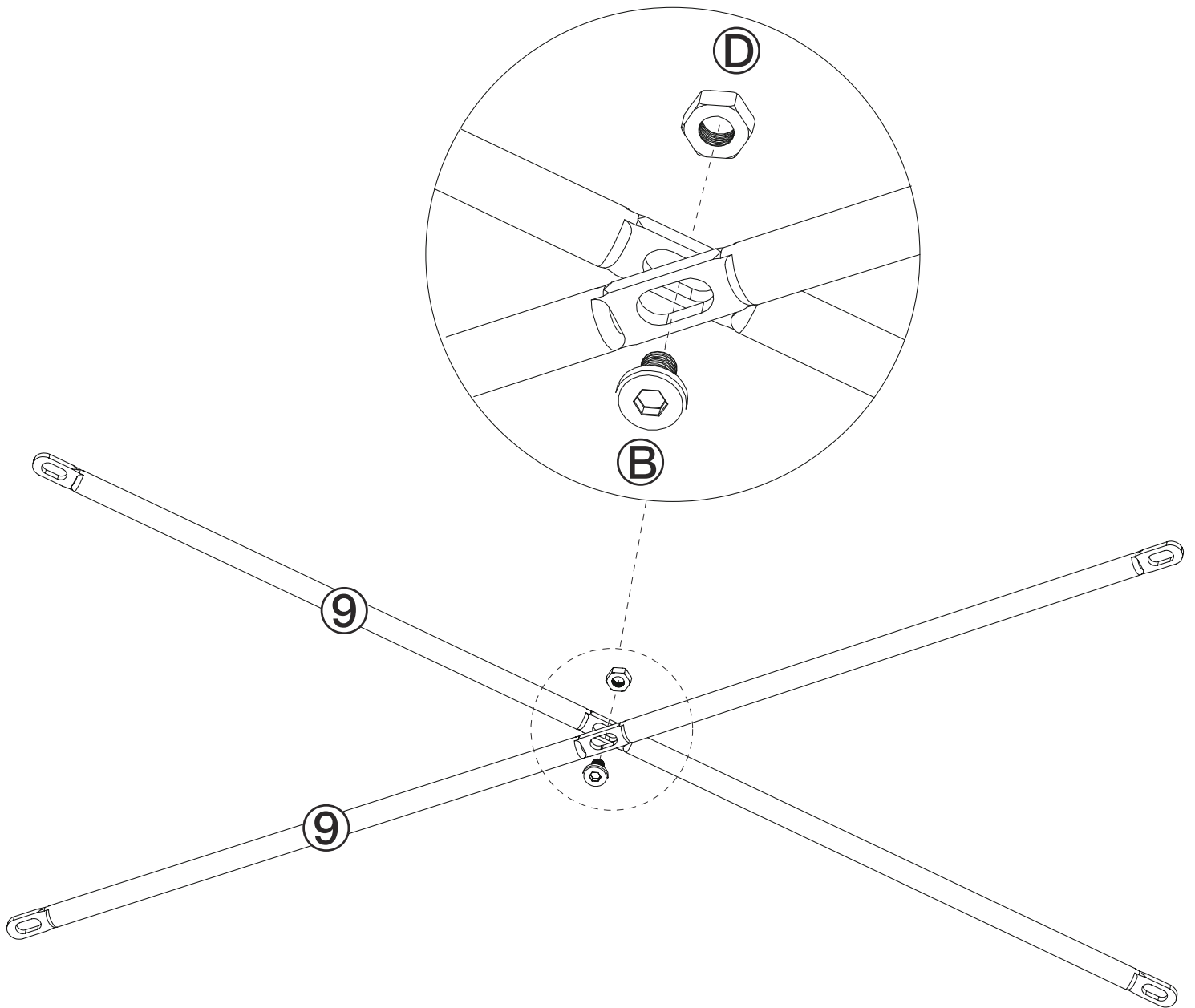
Step 8



Ⓐx4 pc

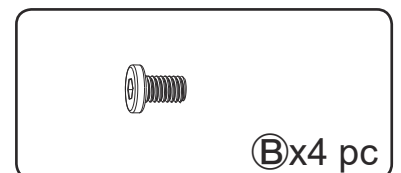
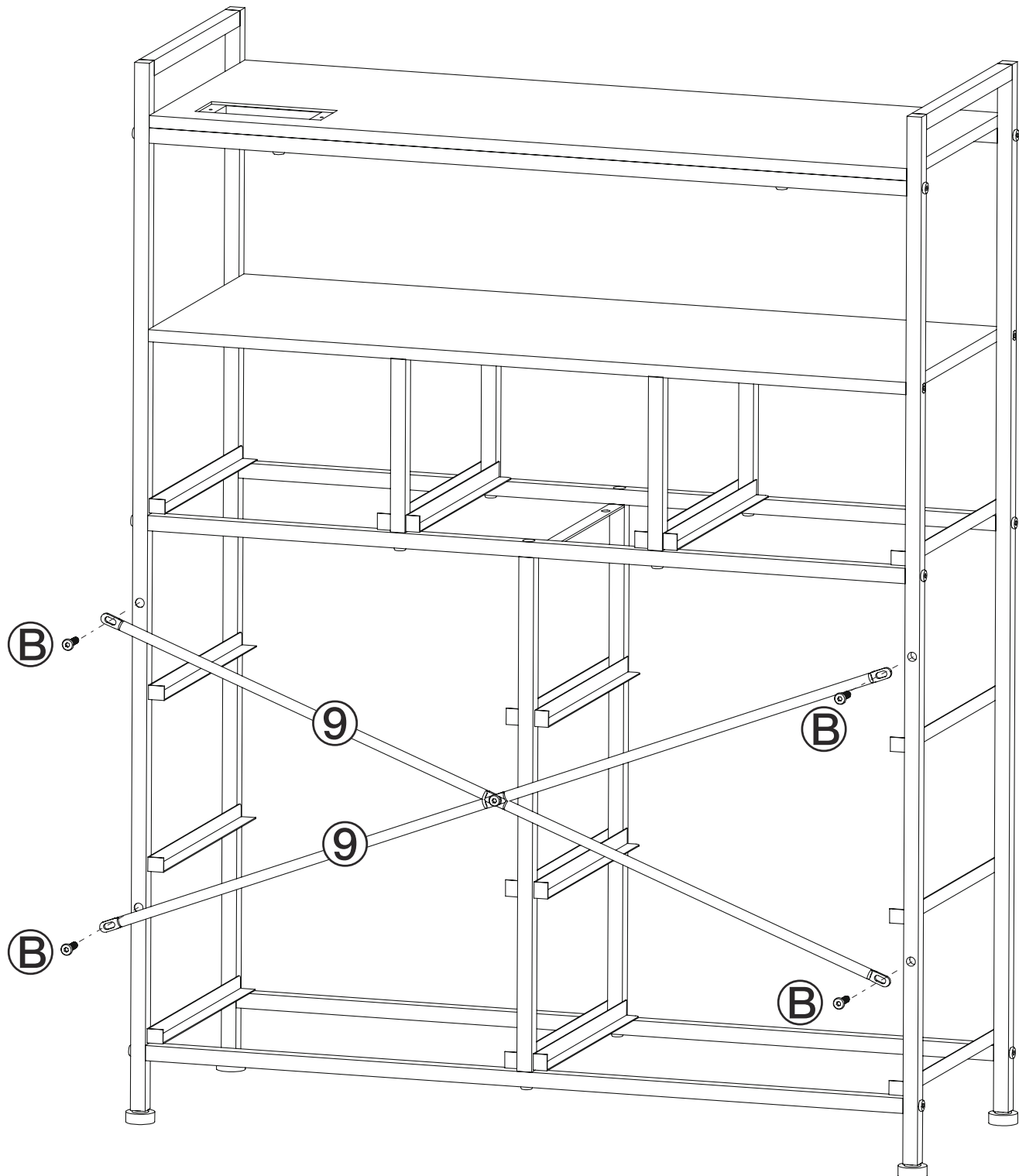
Assembly Instructions

Step 9



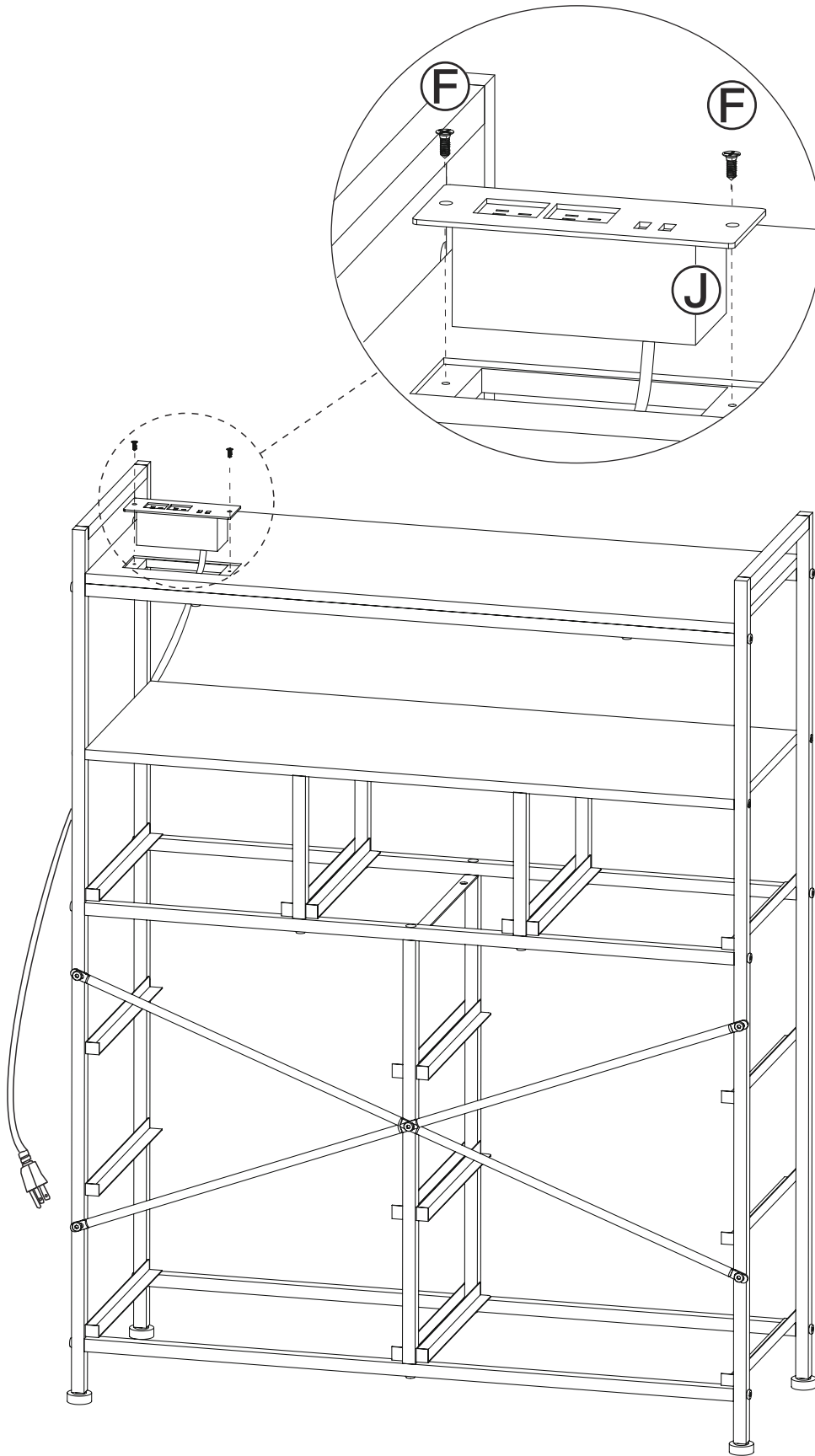
Assembly Instructions

Step 10



Assembly Instructions

Step 11



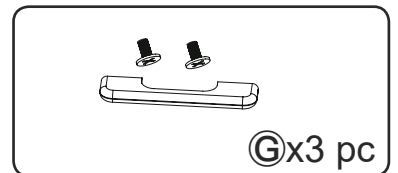
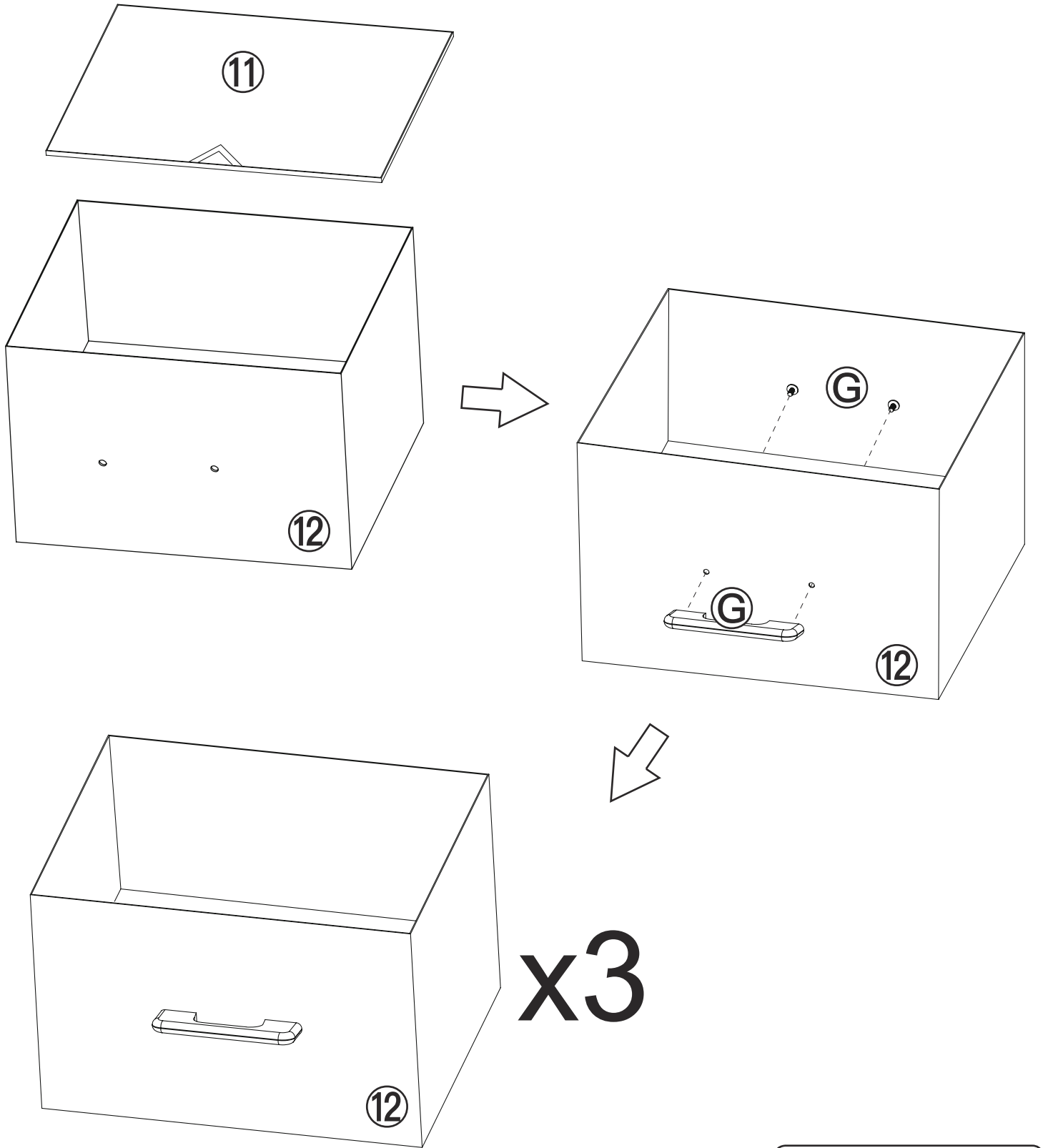
F x2 pc



J x1 pc

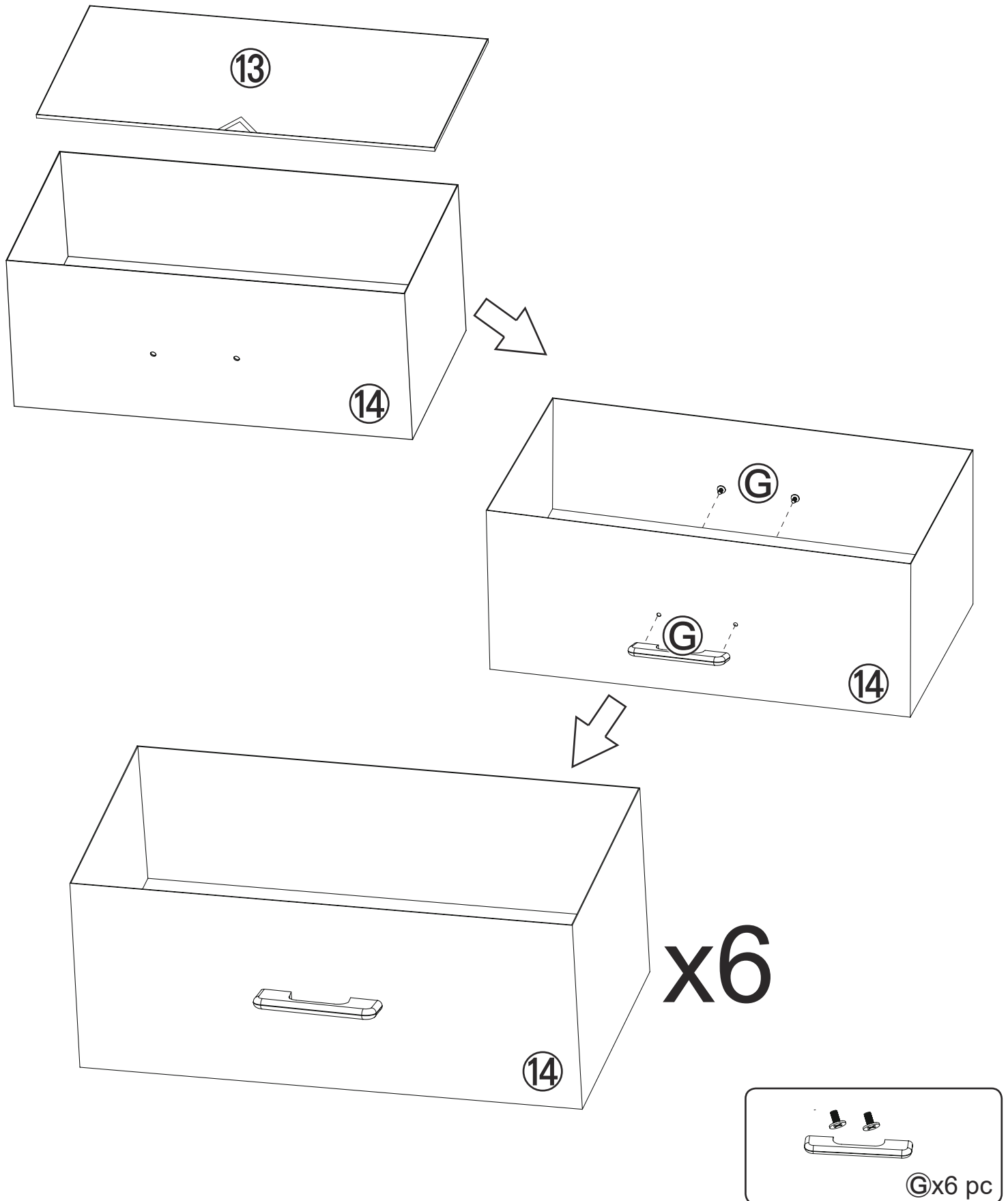
Assembly Instructions

Step 12



Assembly Instructions

Step 13



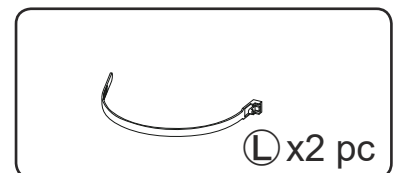
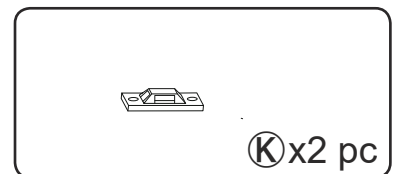
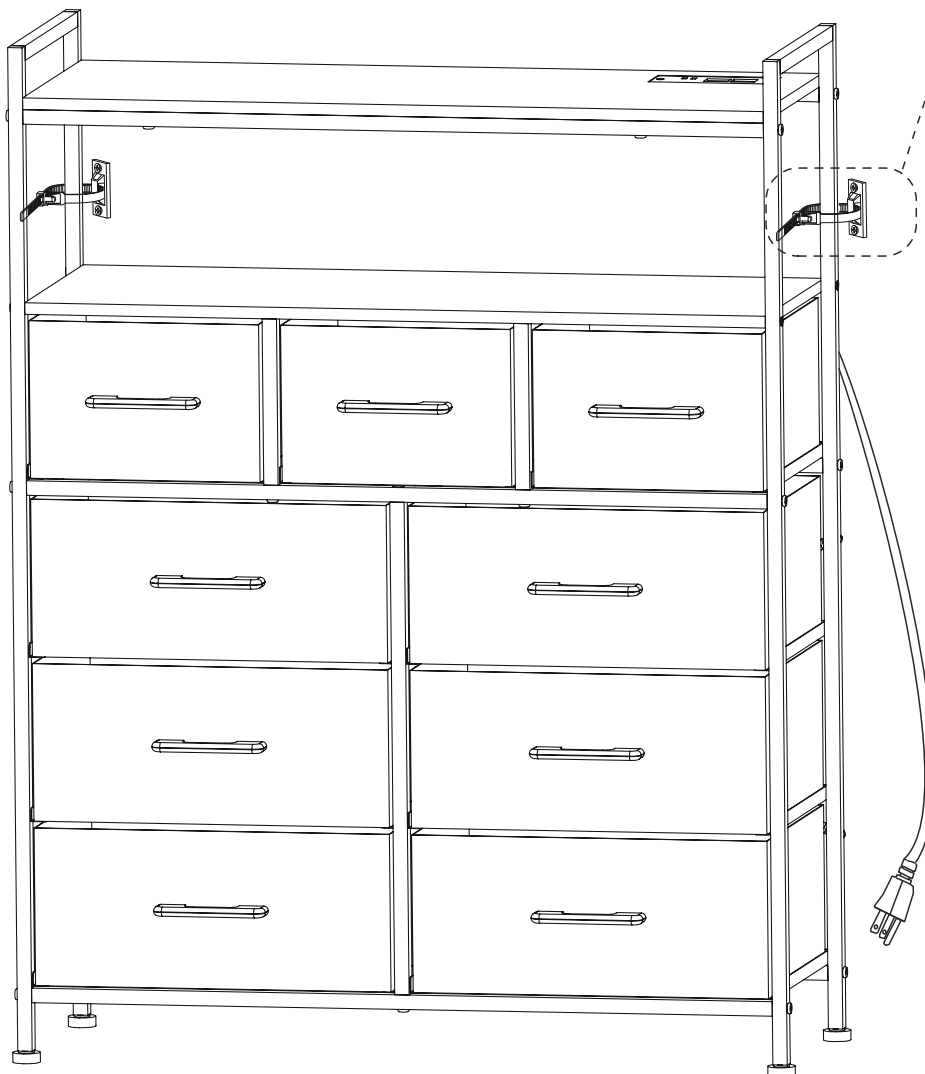
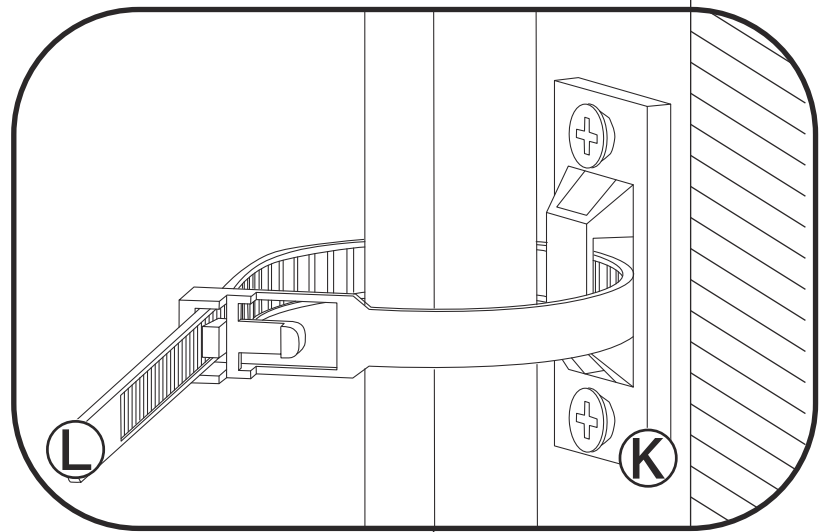
Assembly Instructions

Step 13



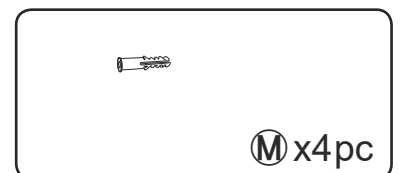
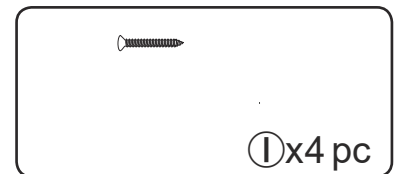
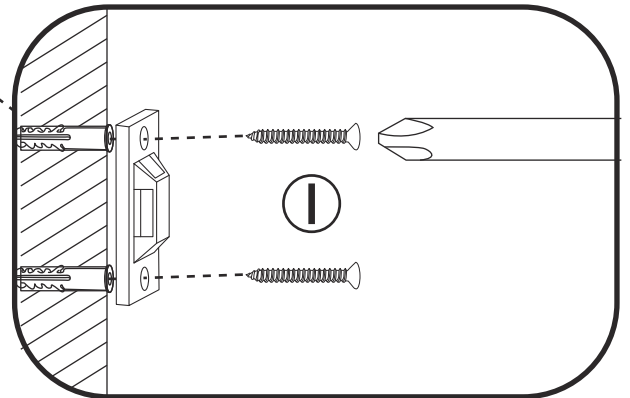
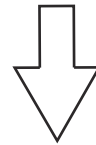
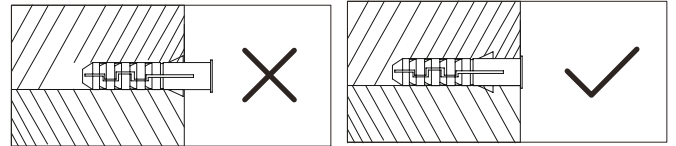
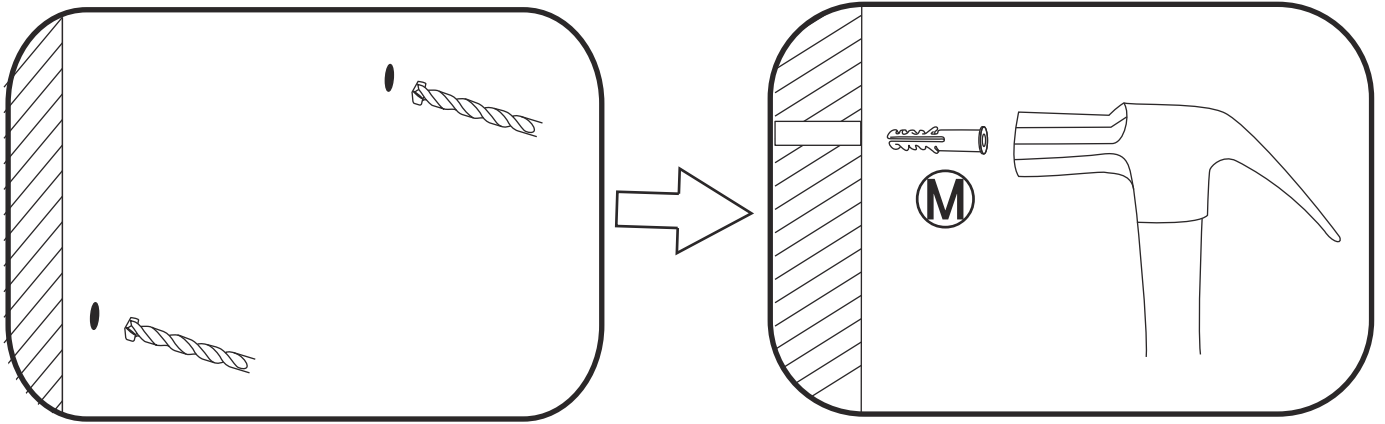
Assembly Instructions

Step 14



Assembly Instructions

Step 15



WARRANTY

Thank you for choosing WASAGUN product. We sincerely hope that you are satisfied with it.

The manufacturer's warranty covers the product for a period of 12 months from the date of purchase against manufacturing faults. All warranties are automatically kept track of in our system, so there is no need to register your product.

Agent/Distributor is welcome to contact us. Email:info@wasagun.com.

Any help or questions during use, please contact us via website www.wasagun.com, send email to info@wasagun.com, we will service you within 24 hours. We suggest to provide a warranty card, a photo or a video if there' s broken spare part or not working machine so that we can be much more clear about your problems and offer you the best solution.



WASAGUN WARRANTY CARD

Name: _____

Model: _____

Product No.: _____

Date of Purchase: _____

Name of Dealer: _____

Name of Buyer: _____

Email: _____

Address: _____

P/N: _____

Please fill in the table and email it within 10 days from the date of purchase.