

Dresser

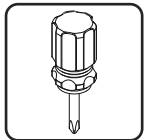
Assembly Instructions - Please keep for future reference

DD003

Dimensions

Width - 31.6inch
Depth - 11.4inch
Height - 32.6inch

Assembly Tool Required



Important- Please read these instructions before assembly

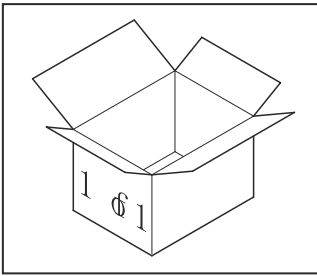
If you need assistance or find missing or damaged parts in the package, contact us by mail: info@wasagun.com

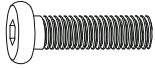

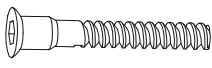









WASAGUN







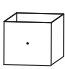



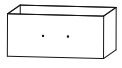

Components

If you need assistance or find missing or damaged parts in the package, contact us by mail: info@wasagun.com

Please check all parts below under a good condition before you install the dresser.

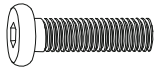


<p>A</p>  <p>6 pcs</p>	<p>B</p>  <p>7 pcs</p>	<p>C</p>  <p>4 pcs</p>	<p>D</p>  <p>1 pcs</p>
<p>E</p>  <p>4 pcs</p>	<p>F</p>  <p>4 pcs</p>	<p>G</p>  <p>6 pcs</p>	<p>H</p>  <p>1 pcs</p>
<p>I</p>  <p>4pc</p>	<p>J</p>  <p>4 pcs</p>	<p>K</p>  <p>2 pcs</p>	<p>L</p>  <p>2 pcs</p>

<p>1</p>  <p>1 pcs</p>	<p>2</p>  <p>1 pcs</p>	<p>3</p>  <p>1 pcs</p>	<p>4</p>  <p>1 pcs</p>
<p>5</p>  <p>2 pcs</p>	<p>6</p>  <p>4 pcs</p>	<p>7</p>  <p>4 pcs</p>	<p>8</p>  <p>1 pcs</p>
<p>9</p>  <p>1 pcs</p>	<p>10</p>  <p>6 pcs</p>	<p>11</p>  <p>6 pcs</p>	<p>12</p>  <p>2 pcs</p>

Assembly Instructions

Step 1

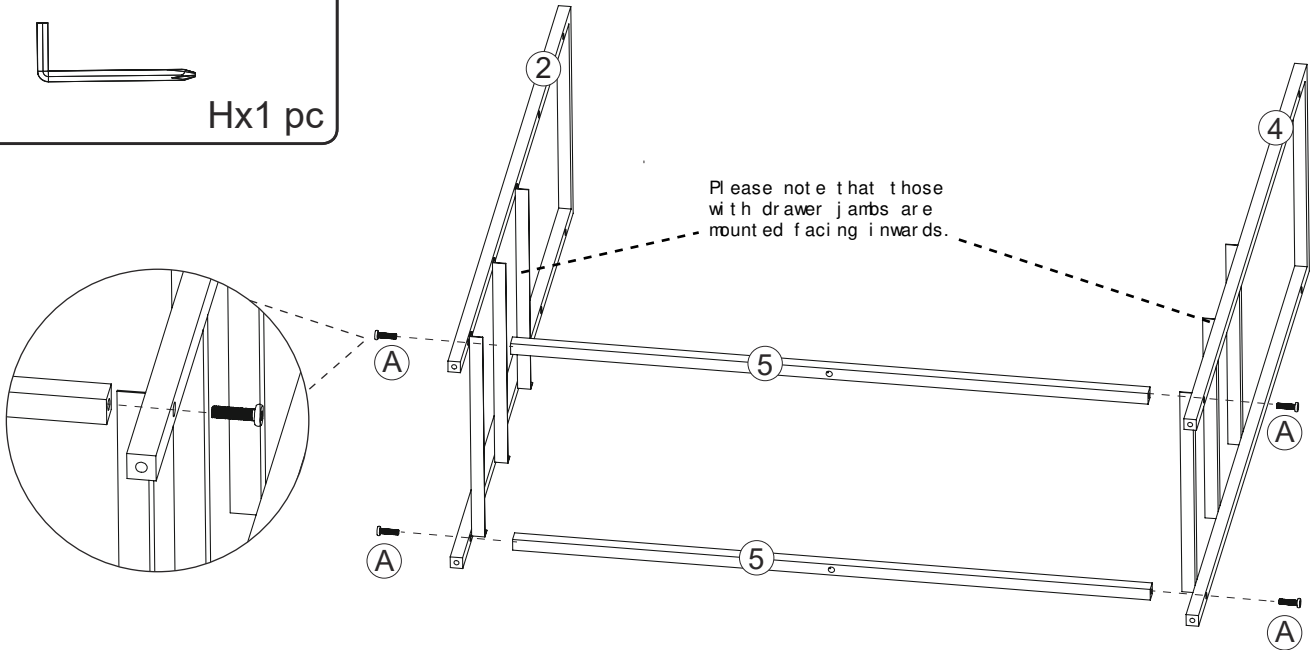


Ax4 pc



Hx1 pc

1. Secure the frame ⑤ between the frame ② and ④ with ① screw.

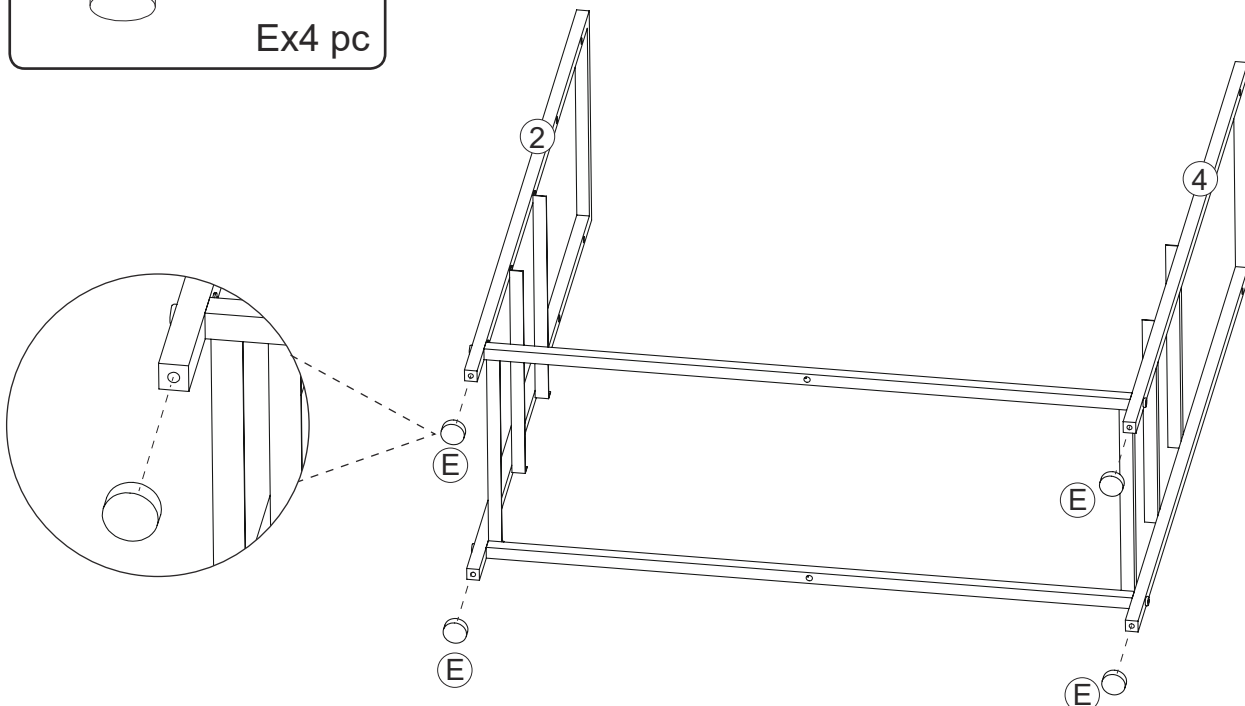


Step 2



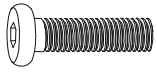
Ex4 pc

2. Install ⑥ adjustment foot on the frame ② and ④ respectively.



Assembly Instructions

Step 3

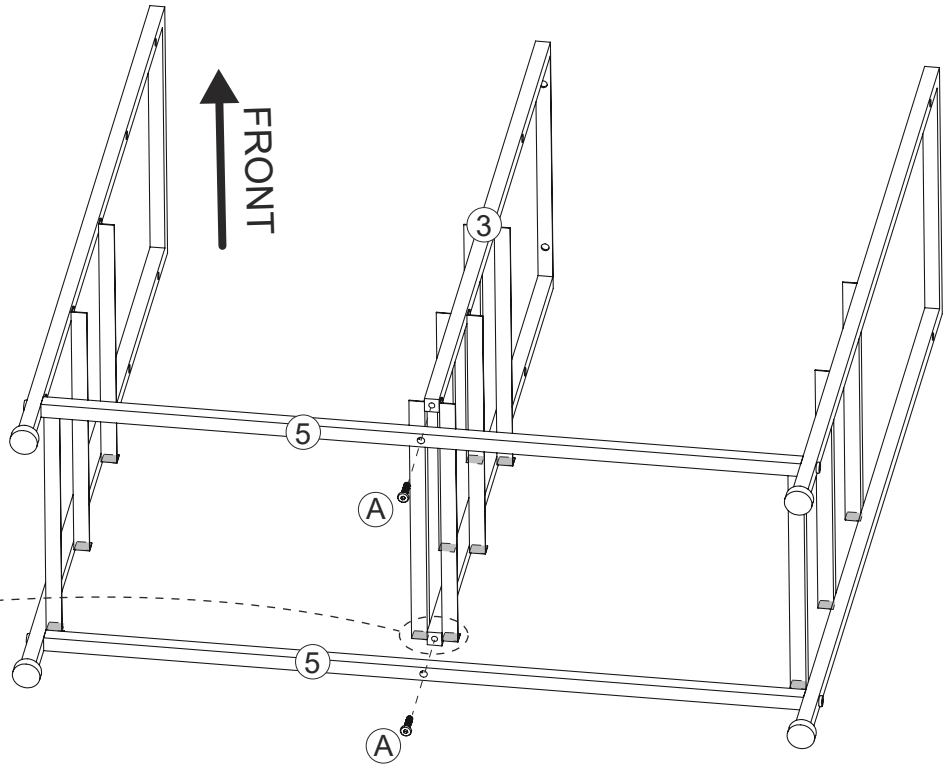
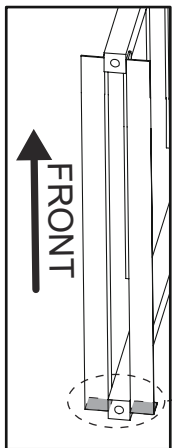


Ax2 pc



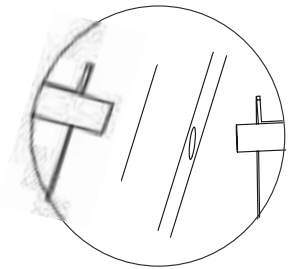
Hx1 pc

3. Fix frame ③ to frame ⑤ with ① screws.

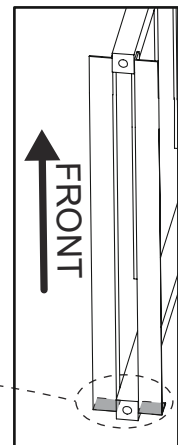
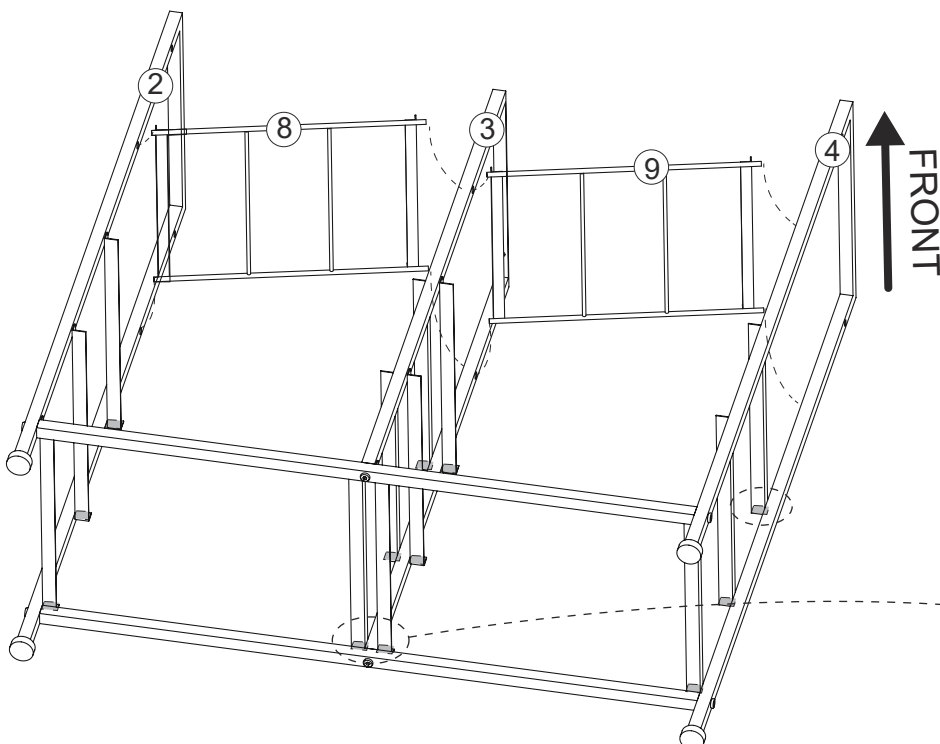


Step 4

4. Insert frame ⑧ into frame ② and frame ③ for quality control. For frame ⑨, proceed as above.

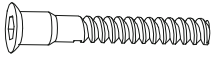


Please note that short end (6.5mm/0.3inch) is mounted facing inwards.



Assembly Instructions

Step 5

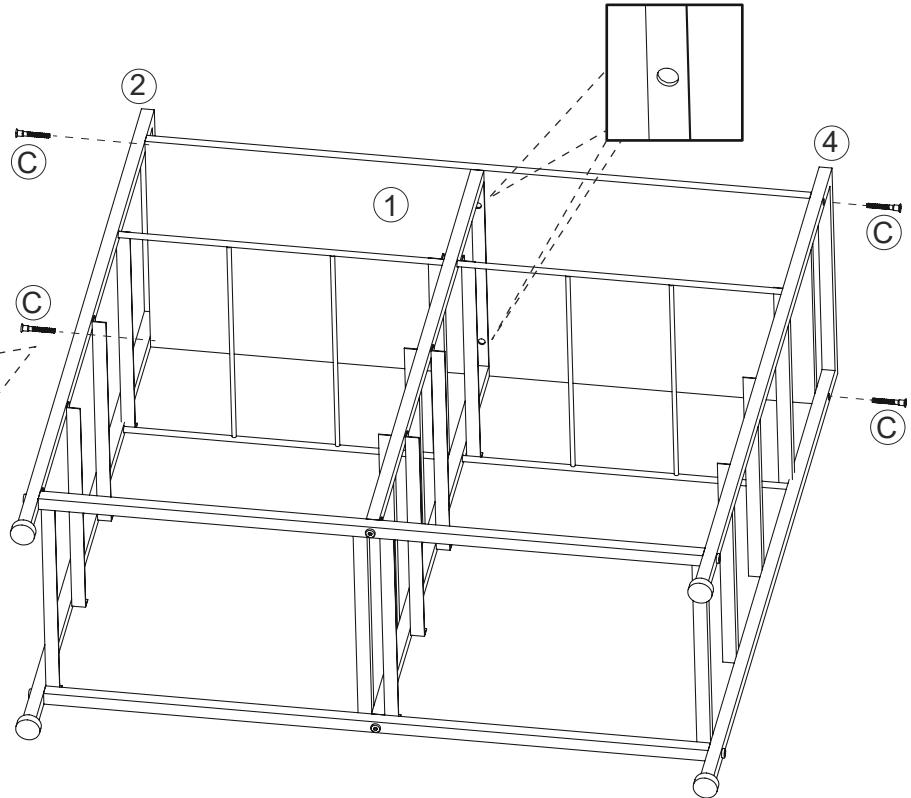
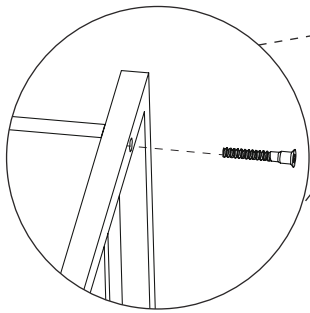


Cx4 pc



Hx1 pc

5. Secure the frame ① between the frame ② and ④ with ③ screw.



Step 6

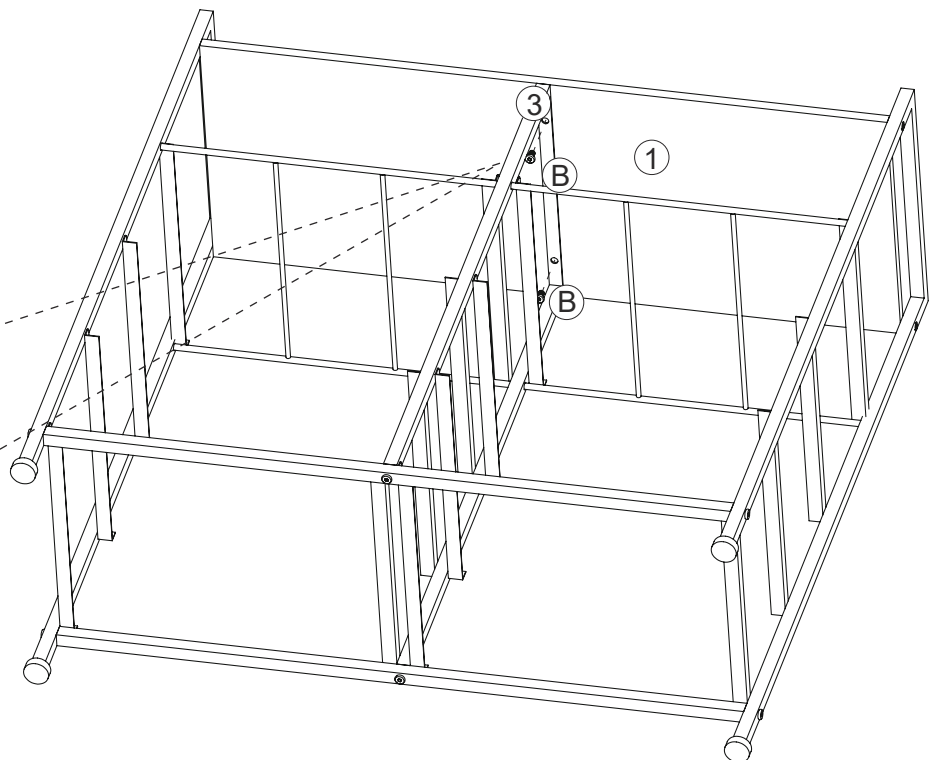
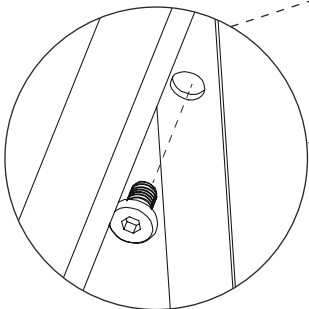


Bx2 pc



Hx1 pc

6. Fix frame ① and frame ③ with ④ screw.



Assembly Instructions

Step 7



Bx1 pc

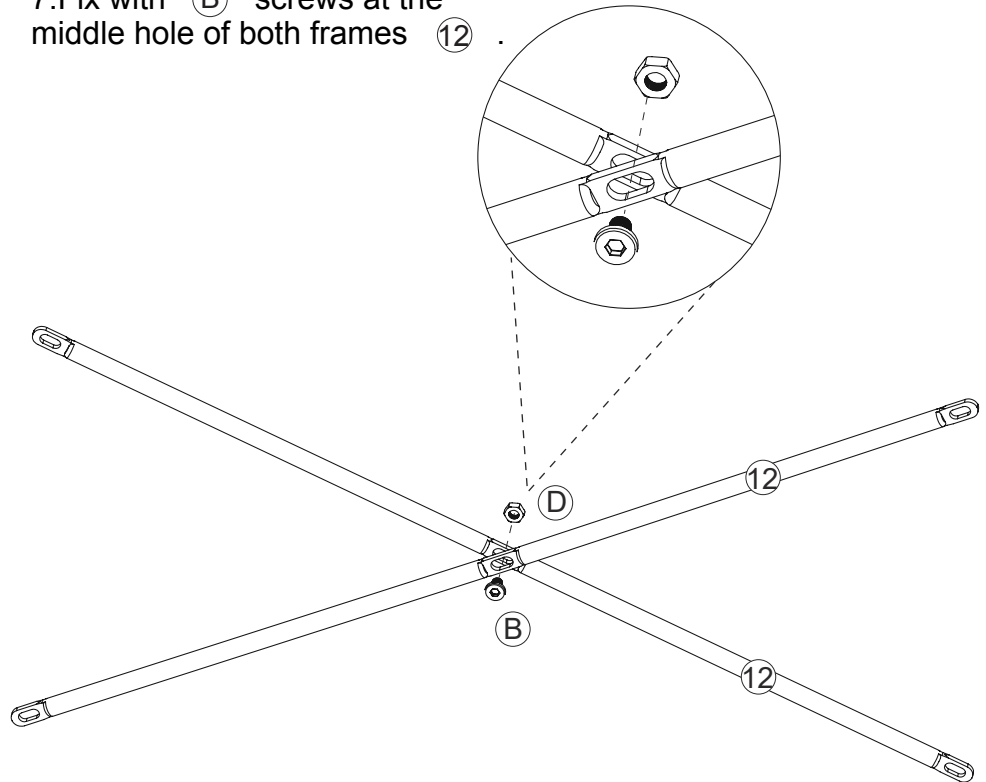


Dx1 pc



Hx1 pc

7. Fix with (B) screws at the middle hole of both frames (12).



Step 8

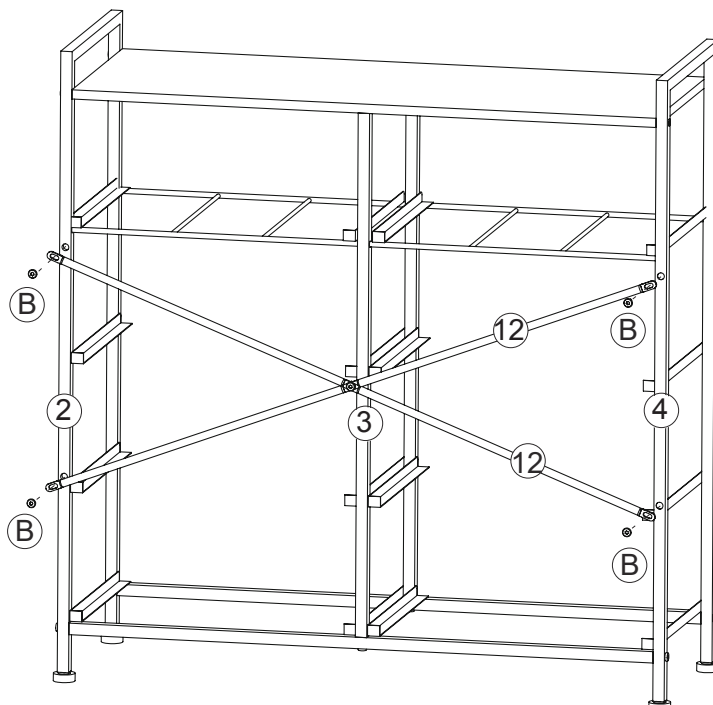


Bx4 pc



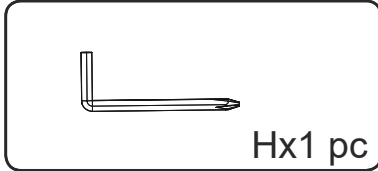
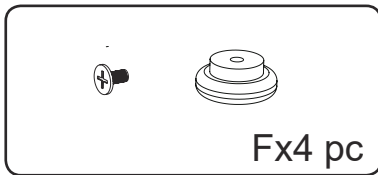
Hx1 pc

8. Fix the assembled frame (12) to the back of the dresser with the (B) screws, according to the hole position.

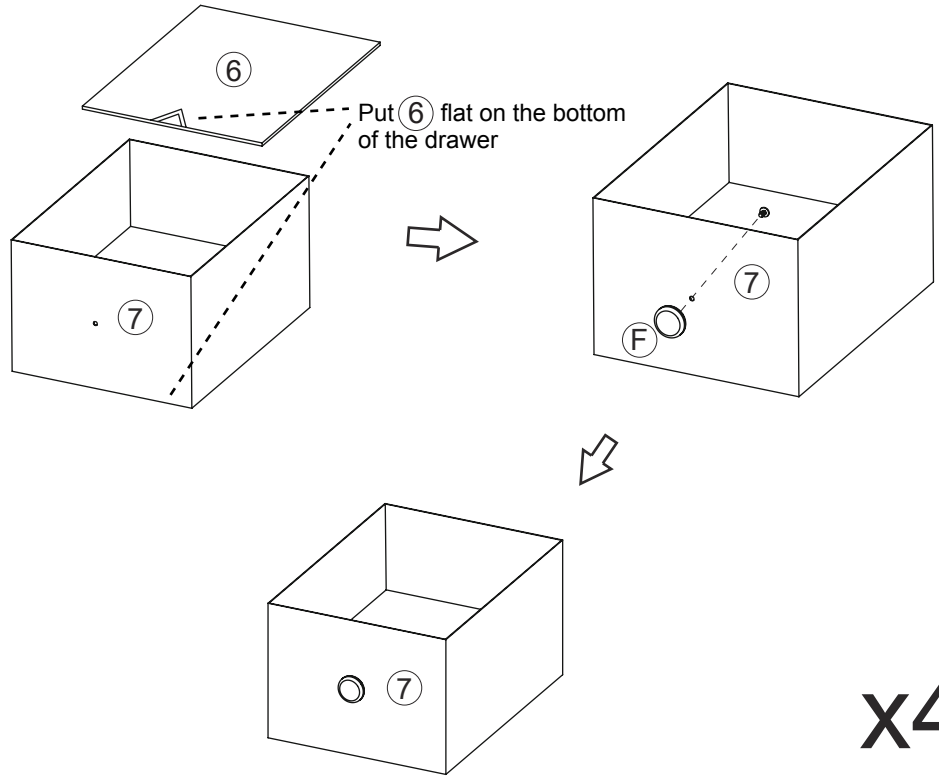


Assembly Instructions

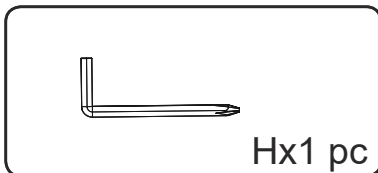
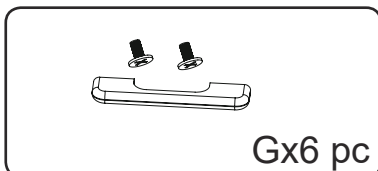
Step 9



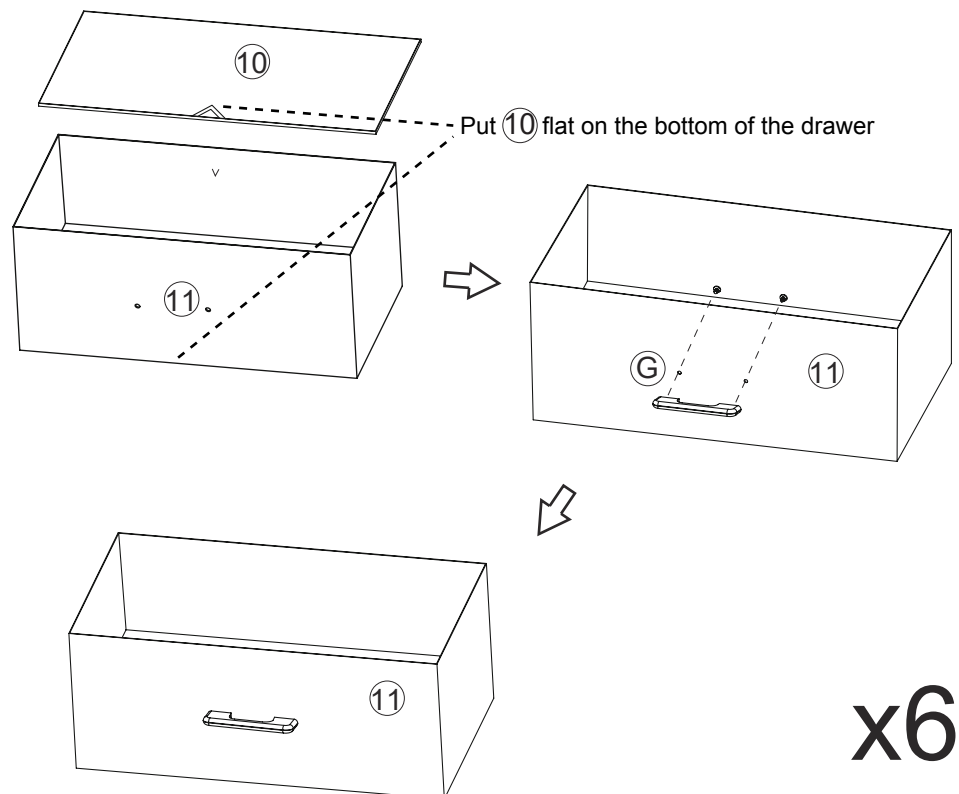
9. Install the handle ⑦ on the drawer with ① screw.



Step 10



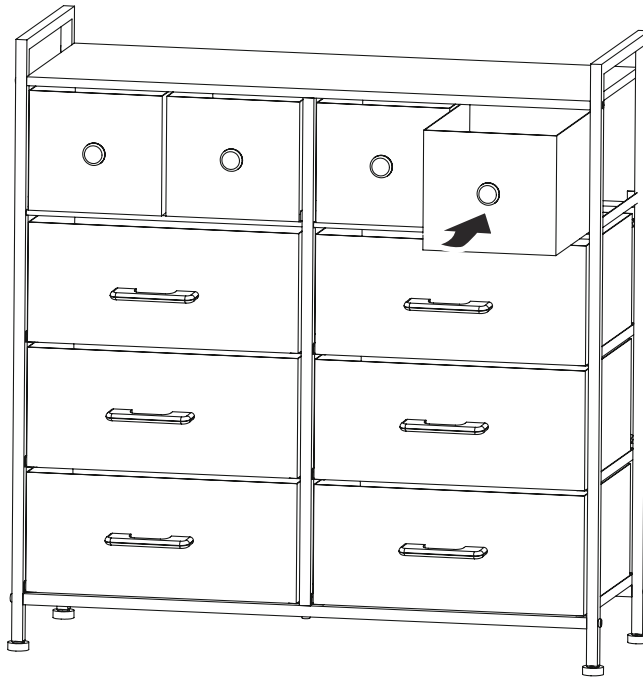
10. Install the handle ⑪ on the drawer with ② screw.



Assembly Instructions

Step 11

11. Put the drawers in the dresser.



Step 12

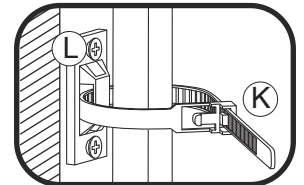


Kx2 pc



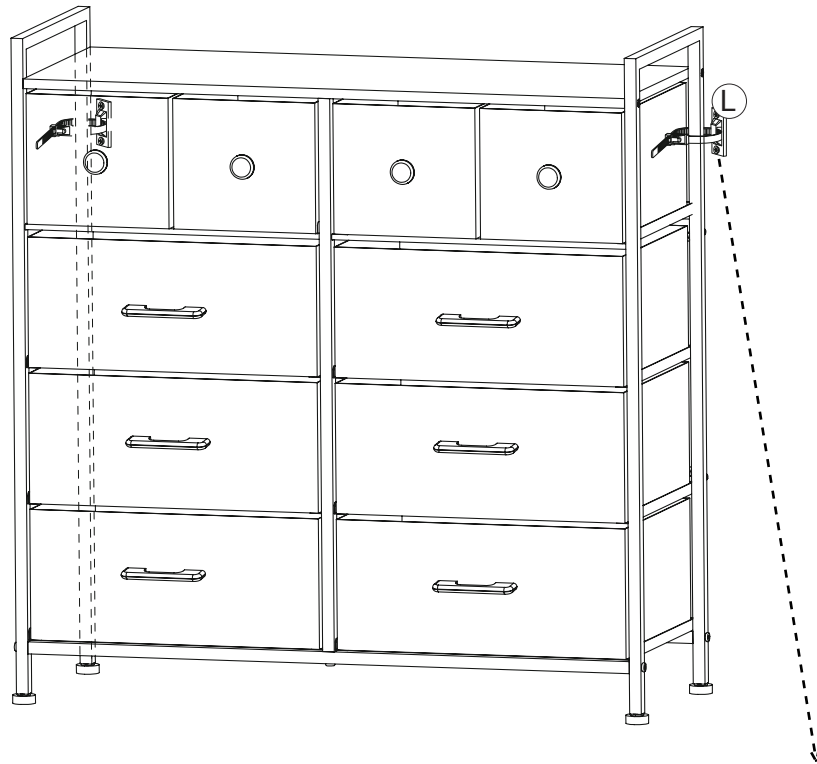
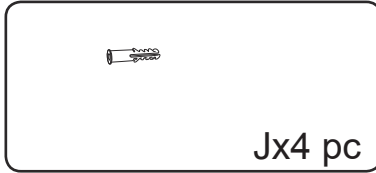
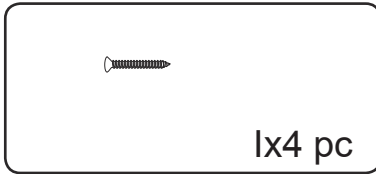
Lx2 pc

12. First pass the accessory (K) through the rear frame (2) of the rear dresser and the accessory (L), and then tie it as shown in the picture. Repeat the above steps for frame (4).

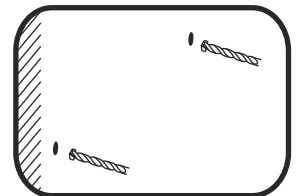


Assembly Instructions

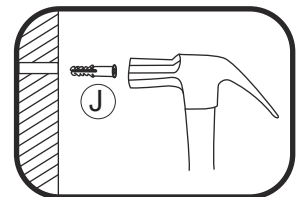
Step 13



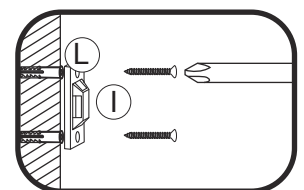
a:First, according to the size of the accessory (L), draw the position that needs to be punched on the wall. Punch holes in the wall according to the mark position.



b:On the holes made, drive in the rubber plug (J). Pay attention to all the parts (J) into the hole, no exposed part.



c:Finally, screw (I) through the fitting (L) and tighten it to the position of the rubber plug (J).





Safety and Care Advice

Important – Please read these instructions fully before starting assembly

Check that if you have all the components and tools listed on the front cover and pages 2.

Remove all fittings from the plastic bags and separate them into their groups.

Keep children and animals away from the work area, small parts could choke if swallowed.

Make sure you have enough space to layout the parts before starting.

Do not allow your children to stand or climb on or in the drawer. It could make it top-heavy and cause the unit to damage or tip over.

Assemble the item as close to its final position (in the same room) as possible.

Do not place furniture directly in front of radiators, fires or any other source of heat.



Parts of the assembly will be easier with 2 people.

Assemble on a soft level surface to avoid damaging the unit or your floor.

Do not overload the drawers.



Do not use a power drill/screwdriver for inserting screws, as it can cause screws to break or strip.

Dispose of all packaging carefully and responsibly.

General care and maintenance

Clean with mild soap on a damp, soft rag. Rinse and dry thoroughly. Do not use abrasive chemicals for cleaning.

Do not scratch or chip the finish.

Please check if there are any loose screws on the unit from time to time.

This product should not be discarded with household waste. Take to your local authority waste disposal centre.

Cleaning and care of high gloss surfaces

Regular dusting with a dry cloth will keep your units clean.

Clean marks with a damp cloth.

Do not allow spillages to stay on the surface for long.

To remove stubborn stains, wipe over with a damp cloth and wash up liquid.

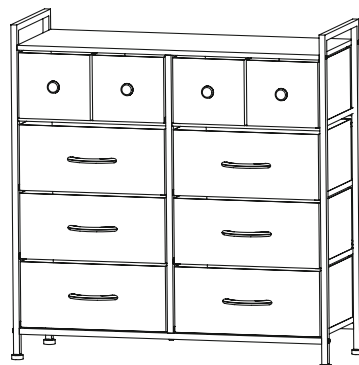
Do not use abrasive cleaners.

Do not clean with products containing the following: Acetone, (e.g. nail varnish remover). Ammonia (e.g. bleach). or Sodium hydroxide (e.g. Caustic soda, drain and oven cleaners).

In the event of accidental contact with aggressive cleaners, rinse thoroughly with water.

To remove stains and small scratches use a car polish or light cutting compound.

Use place mats to protect the surface from moisture and heat.



WARRANTY

Thank you for choosing WASAGUN product. We sincerely hope that you are satisfied with it.

The manufacturer's warranty covers the product for a period of 12 months from the date of purchase against manufacturing faults. All warranties are automatically kept track of in our system, so there is no need to register your product.

Agent/Distributor is welcome to contact us. Email:info@wasagun.com.

Any help or questions during use, please contact us via website www.wasagun.com, send email to info@wasagun.com, we will service you within 24 hours. We suggest to provide a warranty card, a photo or a video if there' s broken spare part or not working machine so that we can be much more clear about your problems and offer you the best solution.



WASAGUN Warranty Card

Item name: _____
Model: _____
Serial No.: _____
Store name: _____
Purchase date: _____
Buyer's name: _____
Email: _____
Address: _____
Tel.: _____

Please fill in the table and email it within 10 days from the date of purchase.