

Dresser

Assembly Instructions - Please keep for future reference

DD 002

Brand: WASAGUN

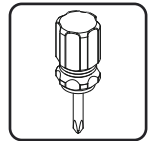
Dimensions

Width - 31.6inch

Depth - 11.4inch

Height - 41.1inch

Assembly Tool Required



Screwdriver



Read all instructions before assembly and use.
KEEP INSTRUCTIONS FOR FUTURE USE.

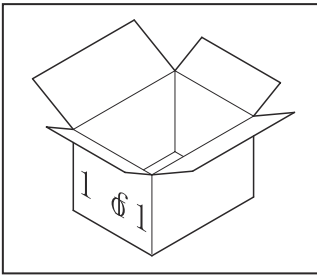
If you need assistance or find missing or damaged parts in the package, contact us by mail: info@wasagun.com

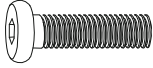





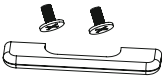






WASAGUN

Components




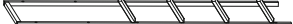

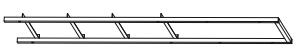

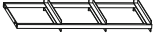



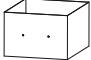

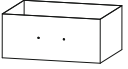
If you need assistance or find missing or damaged parts in the package, contact us by mail: info@wasagun.com

Please check all parts below under a good condition before you install the dresser.



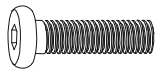
A  24 pcs	B  9 pcs	C  4 pcs	D  1 pcs
E  4 pcs	F  2 pcs	G  9 pcs	H  1 pcs
I  4 pcs	J  1 pcs	K  2 pcs	L  2 pcs
M  4 pcs			

*The number of screws refers to the screws actually needed, but we will add some more screws as reserve.

1  1 pcs	2  2 pcs	3  1 pcs	4  1 pcs
5  2 pcs	6  1 pcs	7  2 pcs	8  1 pcs
9  2 pcs	10  2 pcs	11  3 pcs	12  3 pcs
13  6 pcs	14  6 pcs		

Assembly Instructions

Step 1

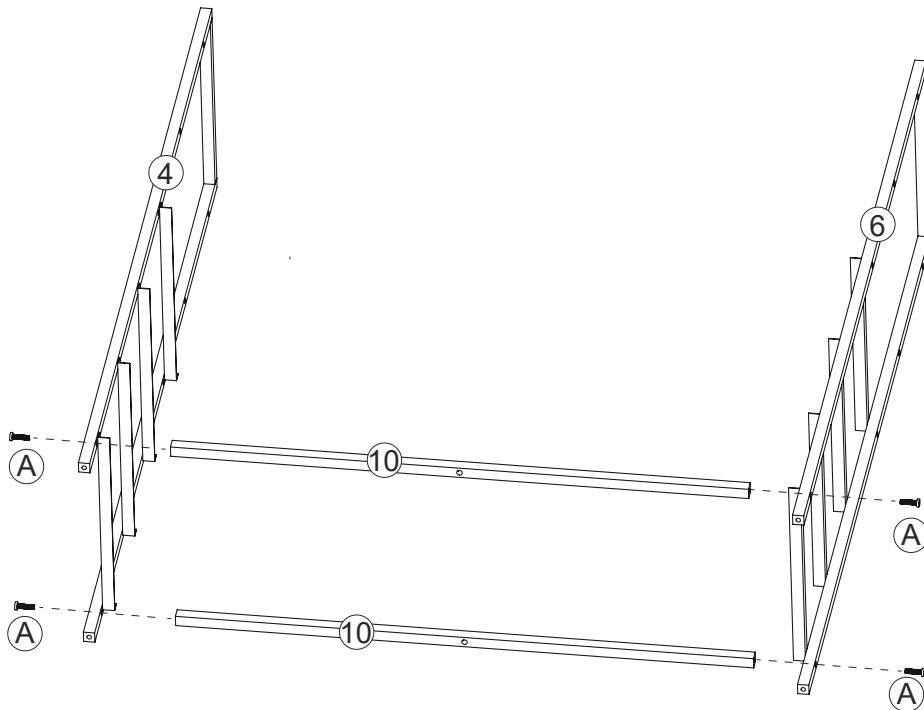
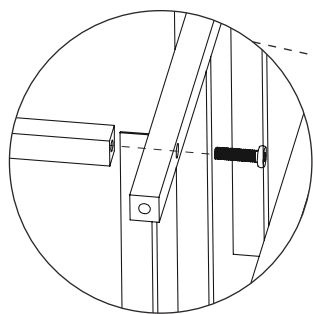


Ax4 pc



Hx1 pc

1. Secure the frame ⑩ between the frame ④ and ⑥ with ① screw.

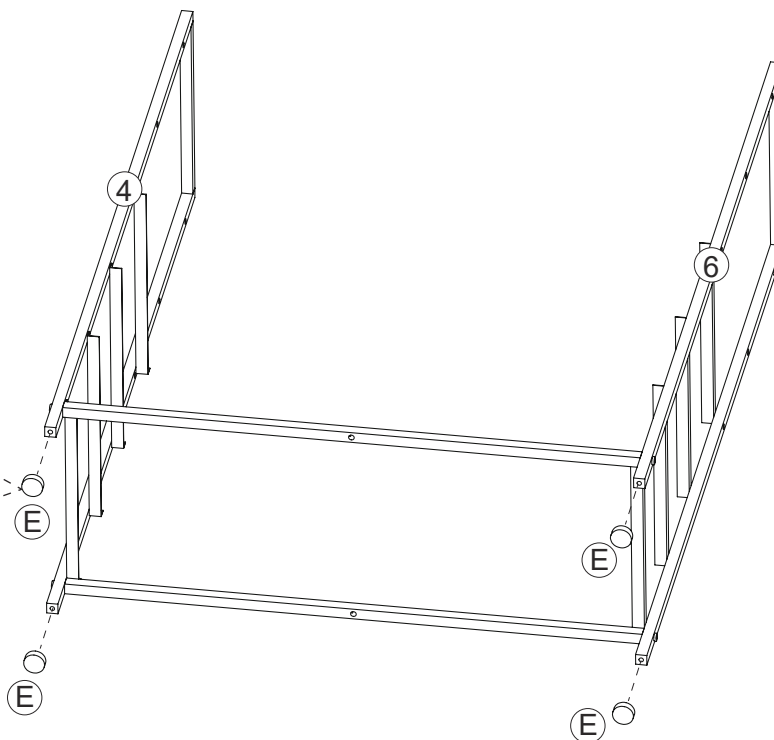
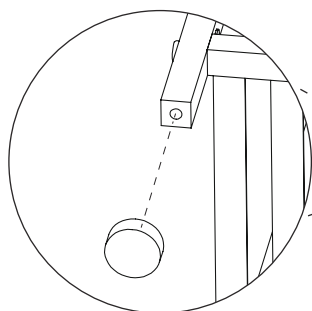


Step 2



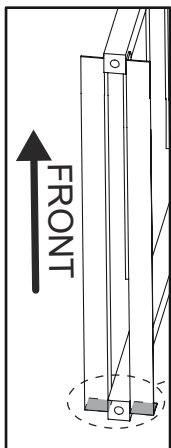
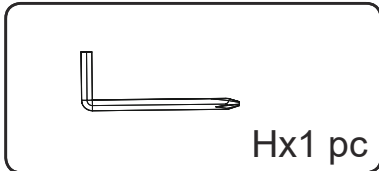
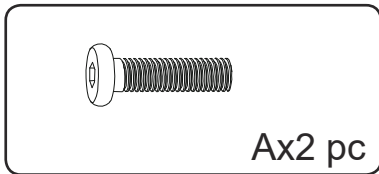
Ex4 pc

2. Install ⑤ adjustment foot on the frame ④ and ⑥ respectively.

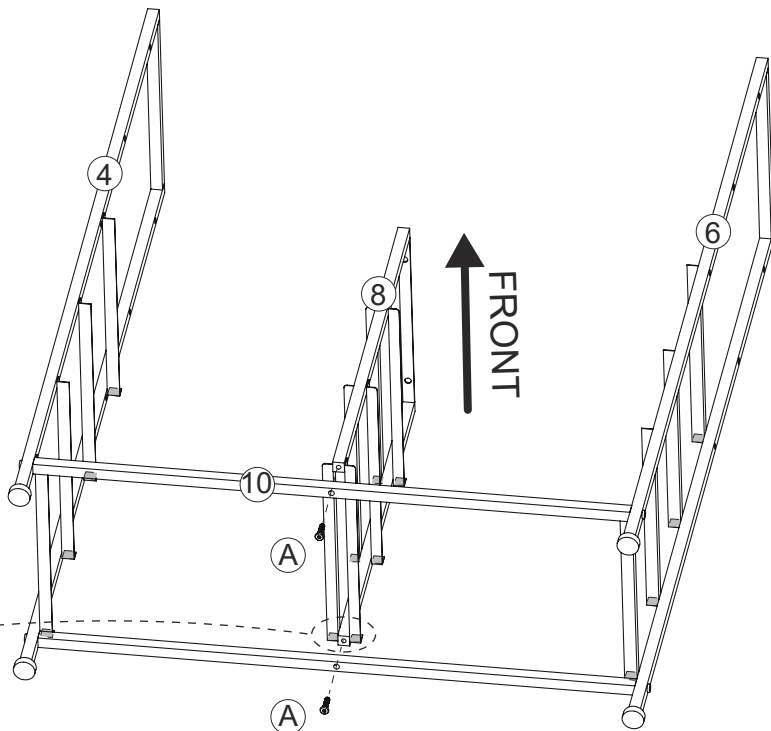


Assembly Instructions

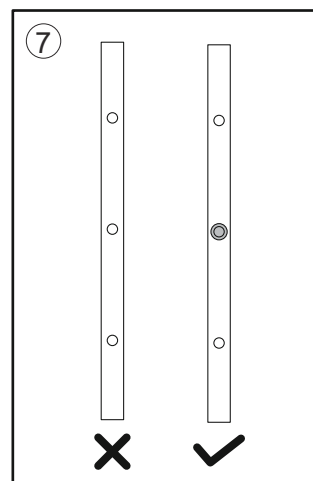
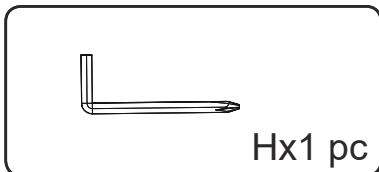
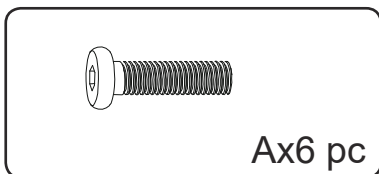
Step 3



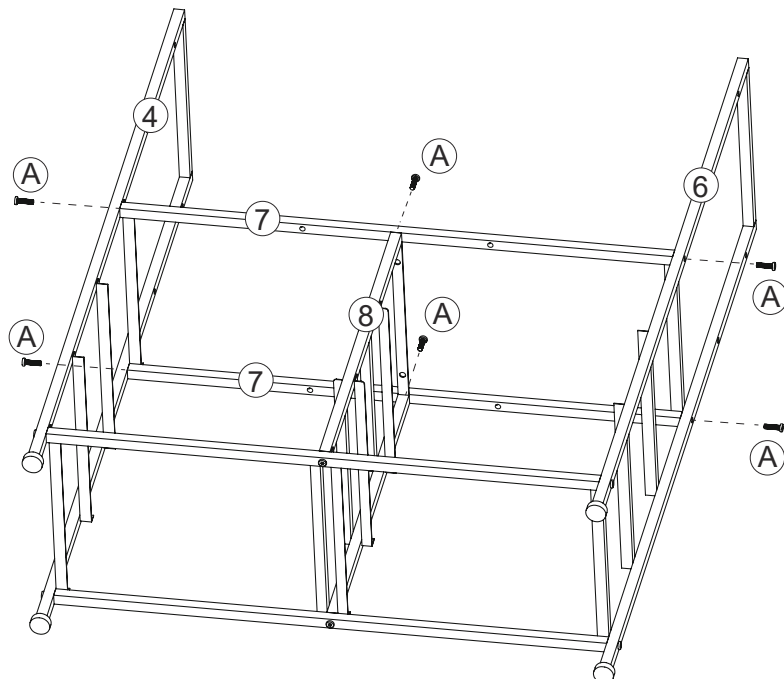
3. Fix frame ⑧ to frame ⑩ with ① screws.



Step 4

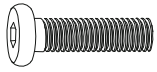


4. Fix frame ⑦ to the top of frame ⑧ with the ① screw. At the ends of frame ⑦, secure frame ④ and frame ⑥ with screws ①.



Assembly Instructions

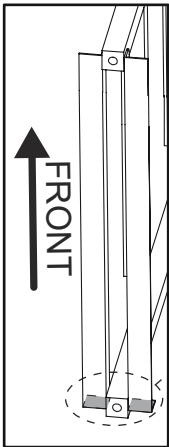
Step 5



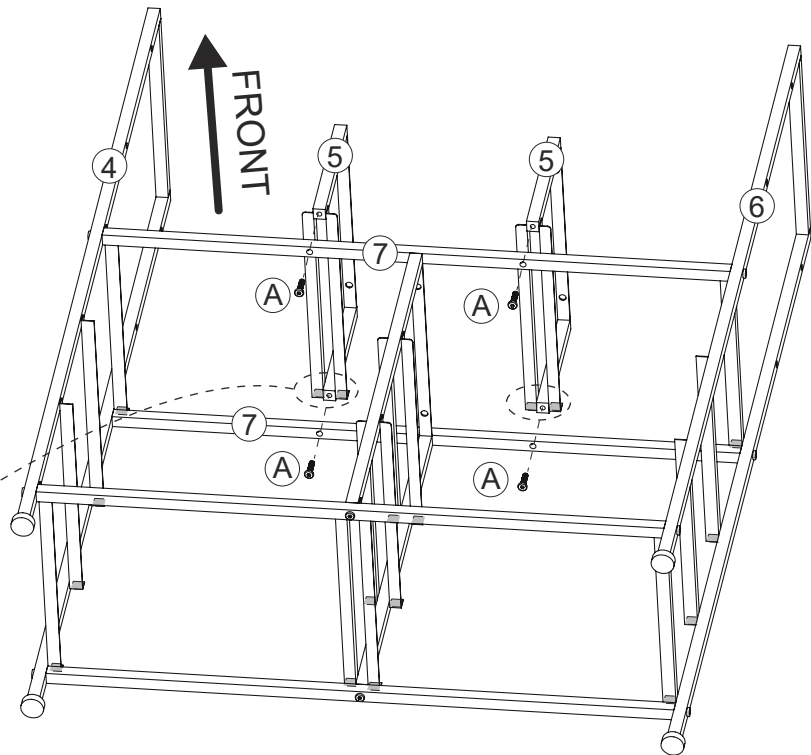
Ax4 pc



Hx1 pc



5. Attach frame ⑤ to the corresponding holes in frame ⑦ with screws ①.



Step 6



Bx4 pc

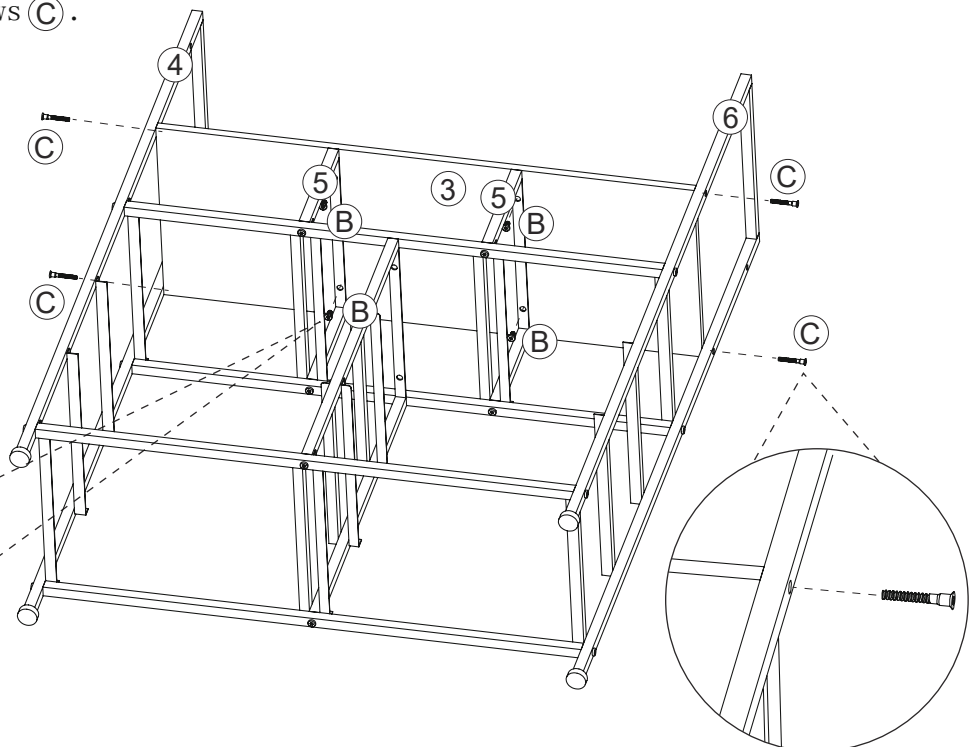
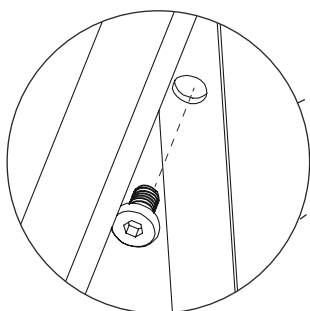


Cx4 pc



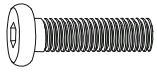
Hx1 pc

6. Attach frame ③ to the top of the two frames ⑤ with screws ②. The ends of frame ③ are fixed to frame ④ and frame ⑥ with screws ③.



Assembly Instructions

Step 7

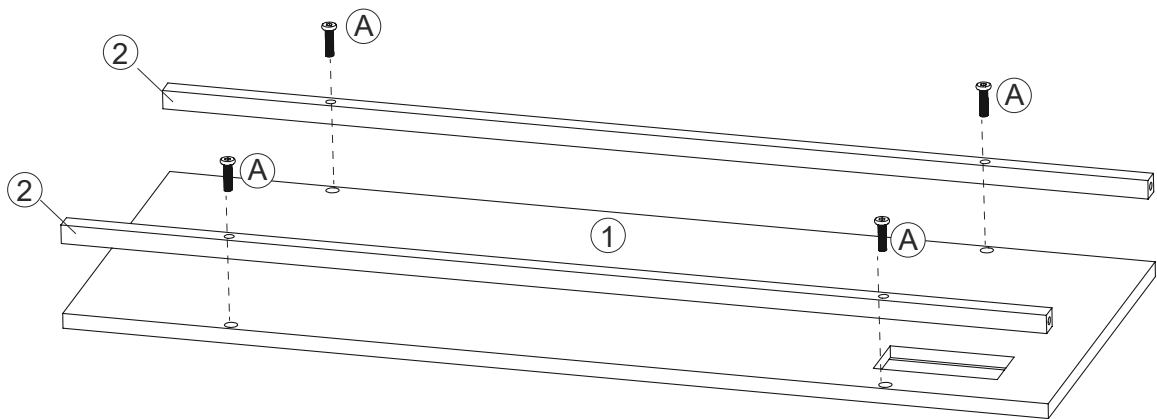


Ax4 pc

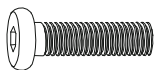


Hx1 pc

7. Attach the two frames ② to the frame ① with screws ①A.



Step 8

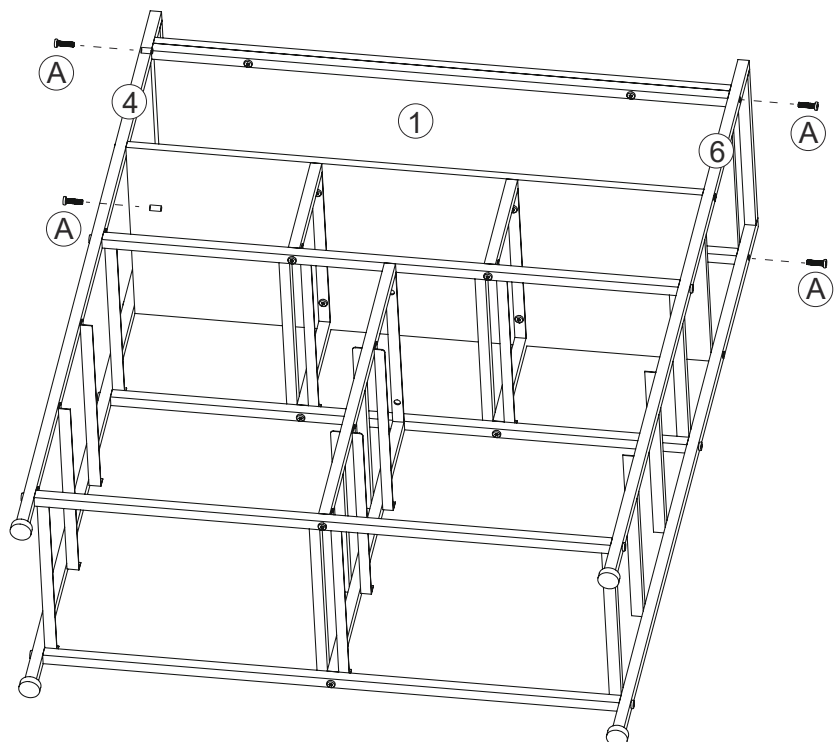


Ax4 pc



Hx1 pc

8. Attach the assembled frame ① to the uppermost holes of frame ④ and frame ⑥ with screws ①A.



Assembly Instructions

Step 9



Bx1 pc

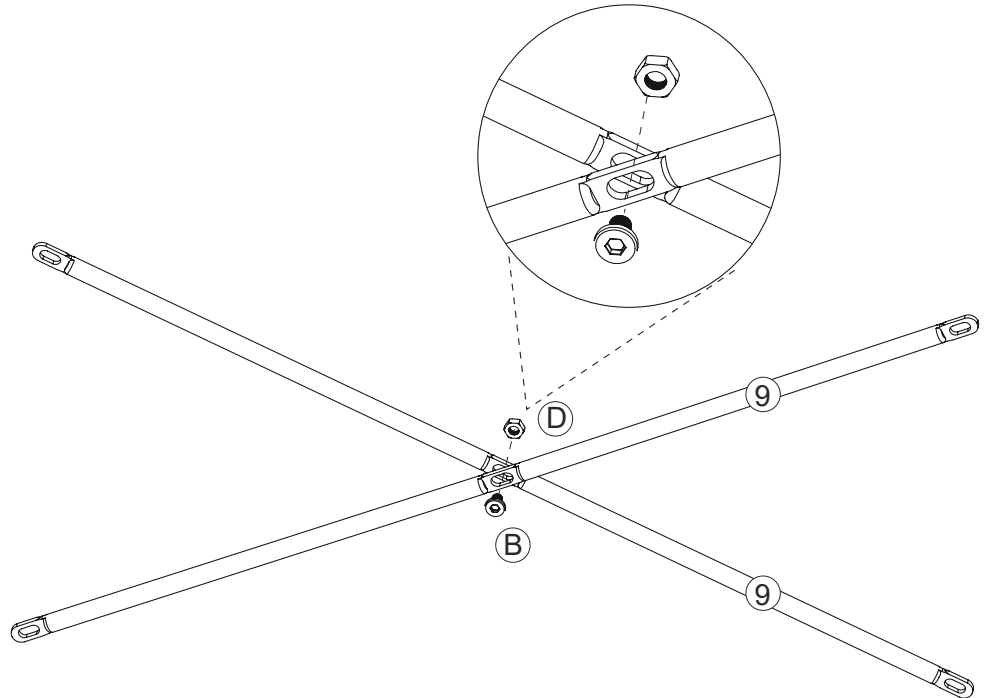


Dx1 pc



Hx1 pc

9. Connect the two frames ⑨ from the middle hole with screws ① and nuts ②.



Step 10

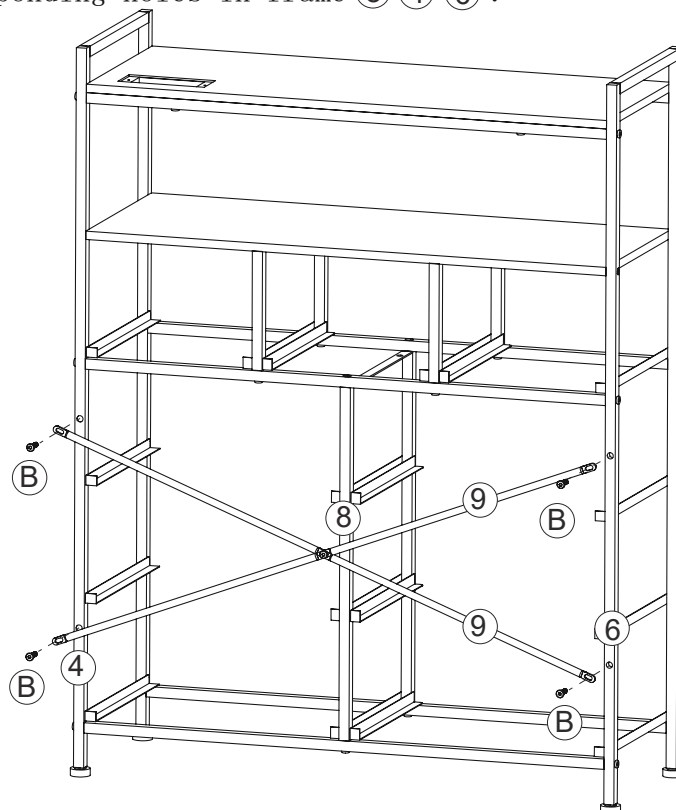


Bx4 pc



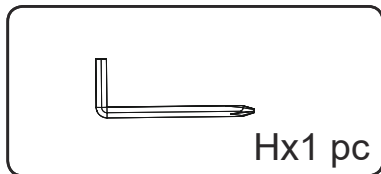
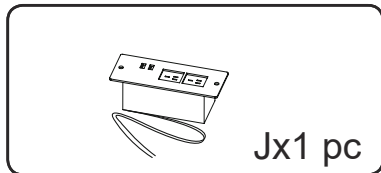
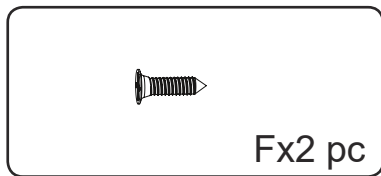
Hx1 pc

10. Using screw ①, fix the assembled frame ⑨ to the corresponding holes in frame ⑧ ④ ⑥.

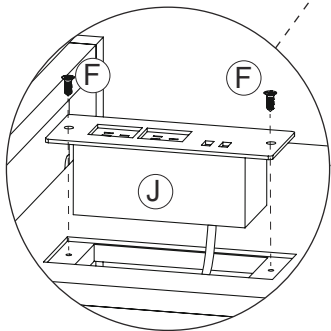
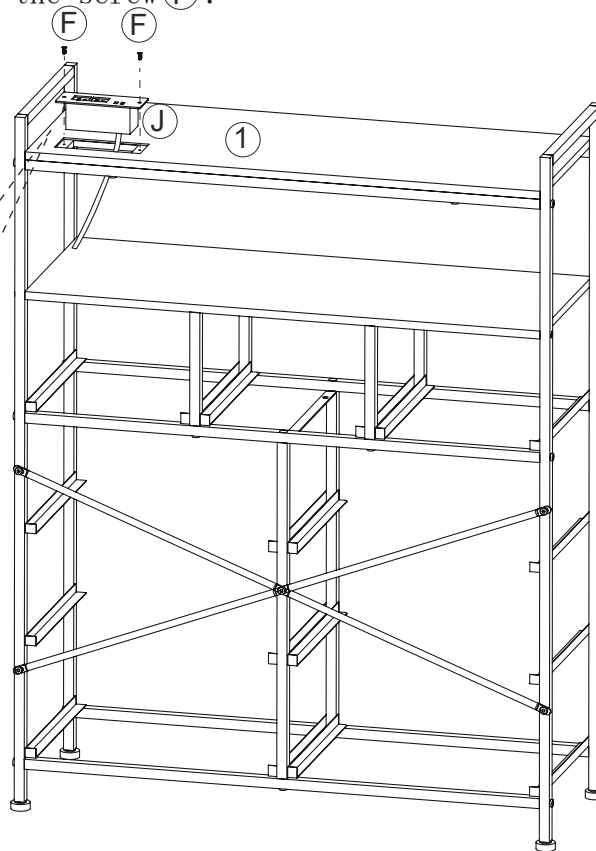


Assembly Instructions

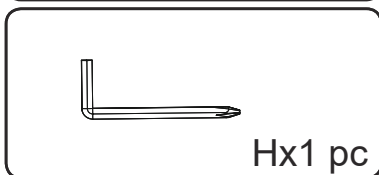
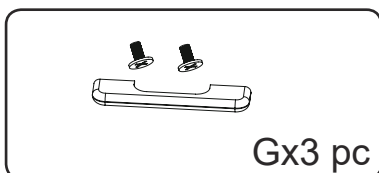
Step 11 Install the part of charging station



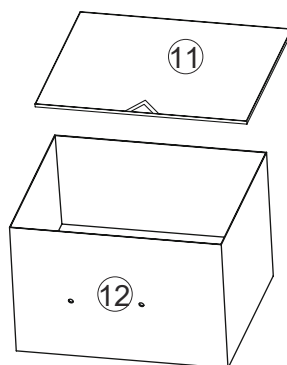
11. Fix the fitting **J** to the corresponding hole in the frame **1** with the screw **F**.



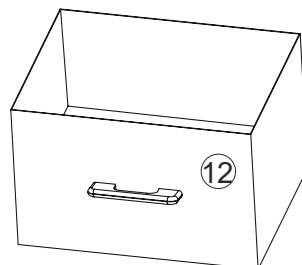
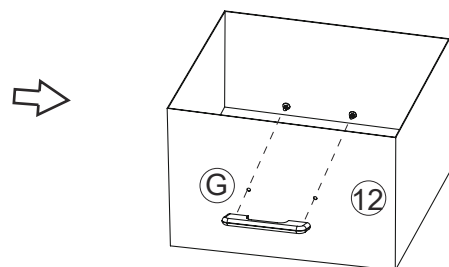
Step 12



12. Install the handle **12** on the drawer with **G** screw.



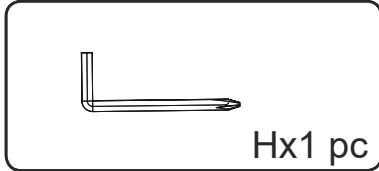
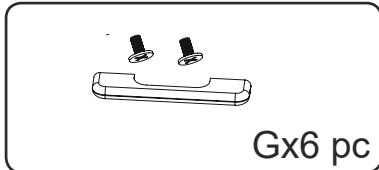
Put **11** flat on the bottom of the drawer.



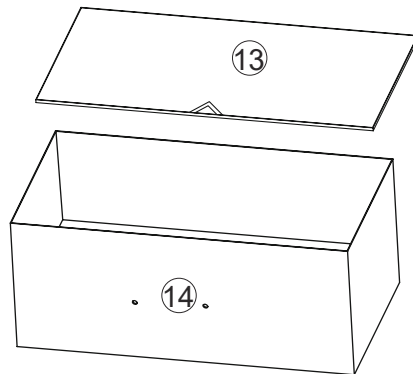
x3

Assembly Instructions

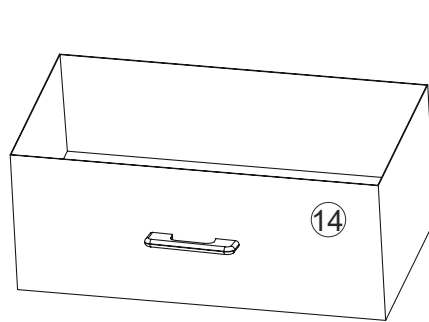
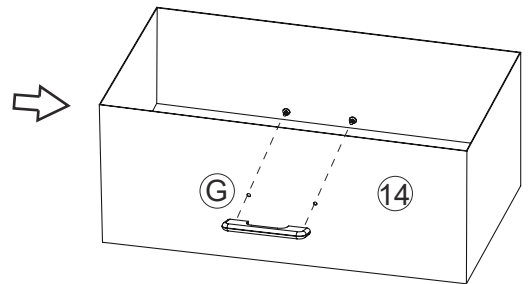
Step 13



13. Install the handle (14) on the drawer with (G) screw.



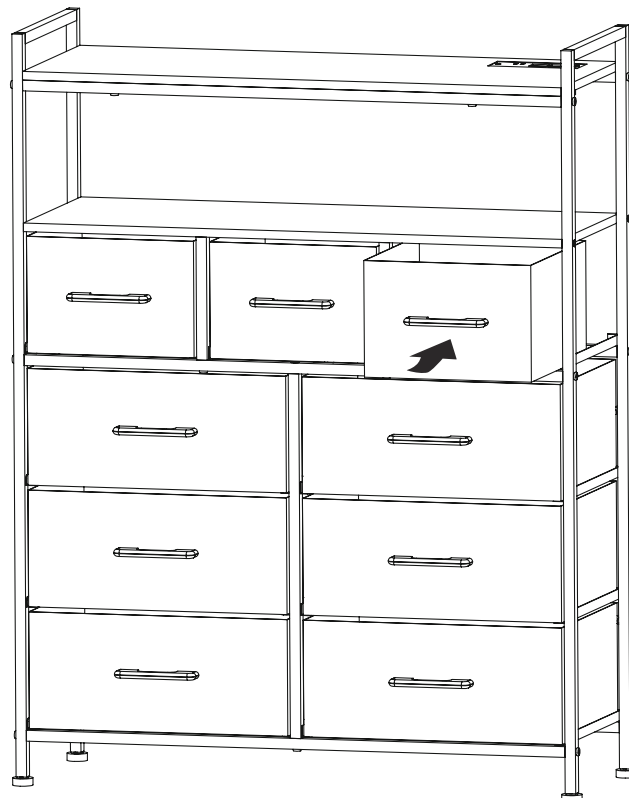
Put (13) flat on the bottom of the drawer.



x6

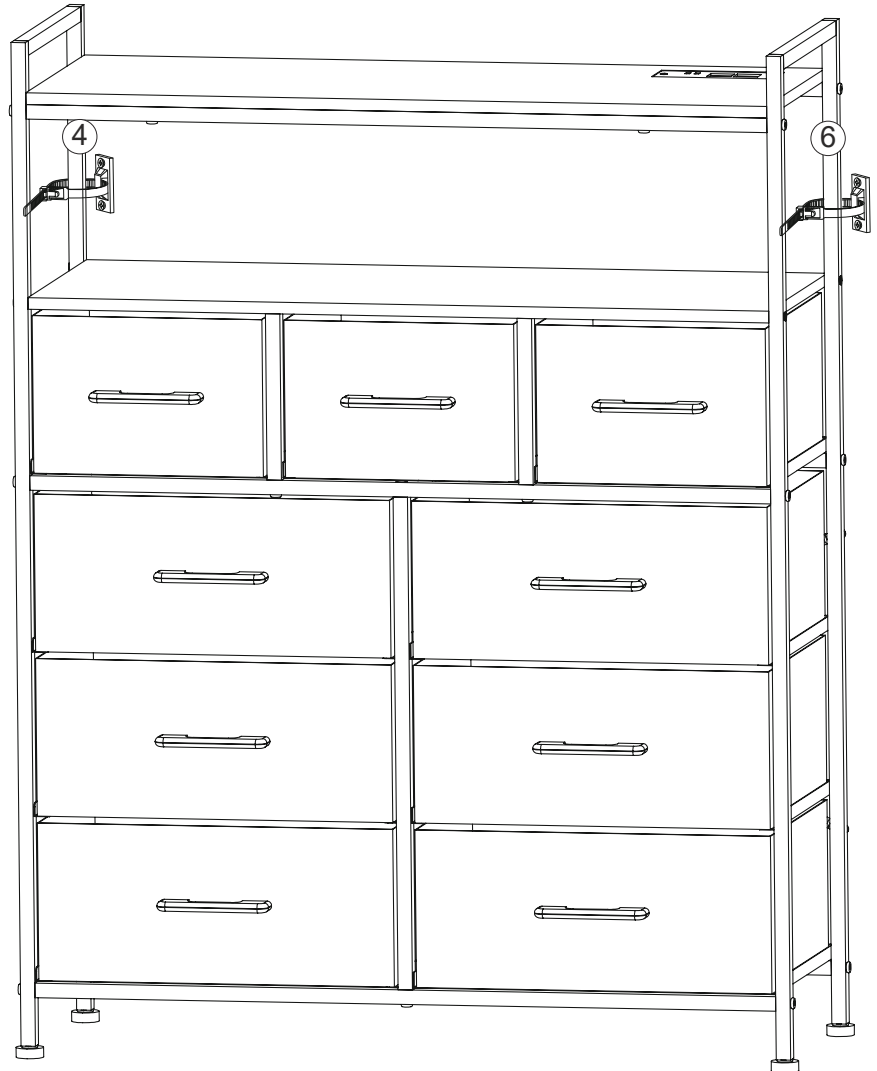
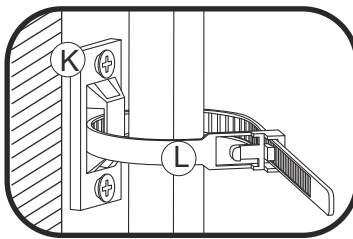
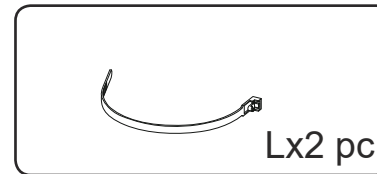
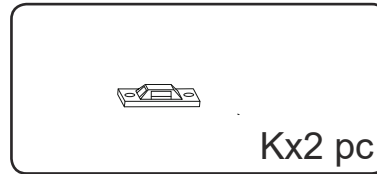
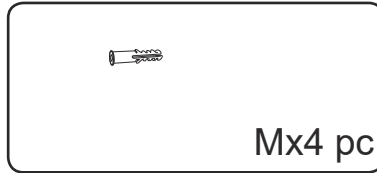
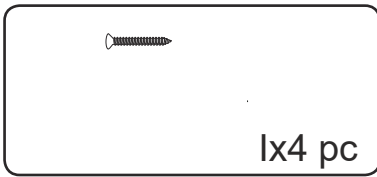
Step 14

14. Put the drawers in the dresser.

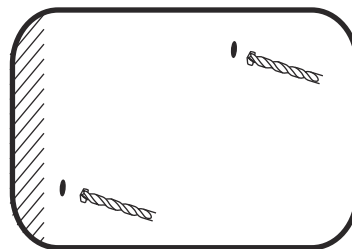


Assembly Instructions

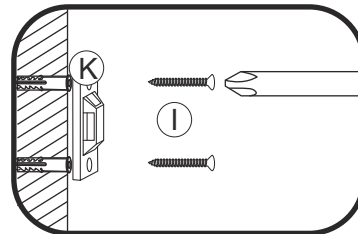
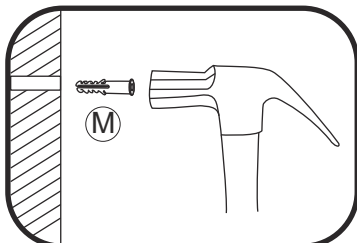
Step 15 Install the anti-tipping kits.



a: First pass the accessory (L) through the rear frame (4) of the rear dresser and the accessory (K), 14. Put the drawers in the dresser. Repeat the above steps for frame (6).



b: First, according to the size of the accessory (K), draw the position that needs to be punched on the wall. Punch holes in the wall according to the mark position.



d: Finally, screw (I) through the fitting (K) and tighten it to the position of the rubber plug (M).



c: On the holes made, drive in the rubber plug (M). Pay attention to all the parts (M) into the hole, no exposed part.



Safety Notes and Care Advice

Important - Please read these instructions fully before starting assembly

Check that if you have all the components and tools listed on the front cover and pages 2.

Remove all fittings from the plastic bags and separate them into their groups.

Keep children and animals away from the work area, small parts could choke if swallowed.

Make sure you have enough space to layout the parts before starting.

Do not allow your children to stand or climb on or in the drawer. It could make it top-heavy and cause the unit to damage or tip over.

Assemble the item as close to its final position (in the same room) as possible.

Do not place furniture directly in front of radiators, fires or any other source of heat.



Parts of the assembly will be easier with 2 people.

Assemble on a soft level surface to avoid damaging the unit or your floor.

Do not overload the drawers.



Do not use a power drill/screwdriver for inserting screws, as it can cause screws to break or strip.

Dispose of all packaging carefully and responsibly.

General care and maintenance

Clean with mild soap on a damp, soft rag. Rinse and dry thoroughly. Do not use abrasive chemicals for cleaning.

Please check if there any loose screws on the unit from time to time.

This product should not be discarded with household waste. Take to your local authority waste disposal centre.

Cleaning and care of high gloss surfaces

Regular dusting with a dry cloth will keep your units clean. Do not use abrasive cleaners.

Clean marks with a damp cloth.

Do not allow spillages to stay on the surface for long.

To remove stubborn stains, wipe over with a damp cloth and washing up liquid.

Do not clean with products containing the following: Acetone, (e.g. nail varnish remover). Ammonia (e.g. bleach). or Sodium hydroxide (e.g. Caustic soda, drain and oven cleaners).

In the event of accidental contact with aggressive cleaners, rinse thoroughly with water.

To remove stains and small scratches use a car polish or light cutting compound.

Use place mats to protect the surface from moisture and heat.



WARRANTY

Thank you for choosing WASAGUN product. We sincerely hope that you are satisfied with it.

The manufacturer's warranty covers the product for a period of 12 months from the date of purchase against manufacturing faults. All warranties are automatically kept track of in our system, so there is no need to register your product.

Agent/Distributor is welcome to contact us. Email:info@wasagun.com.

Any help or questions during use, please contact us via website www.wasagun.com, send email to info@wasagun.com, we will service you within 24 hours. We suggest to provide a warranty card, a photo or a video if there' s broken spare part or not working machine so that we can be much more clear about your problems and offer you the best solution.



WASAGUN Warranty Card

Item name: _____
Model: _____
Serial No.: _____
Store name: _____
Purchase date: _____
Buyer's name: _____
Email: _____
Address: _____
Tel: _____

Please fill in the table and email it within 10 days from the date of purchase.