

Dog Cage

Assembly Instructions – Please keep for future reference

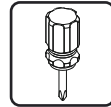
CWG001

Brand:WASAGUN

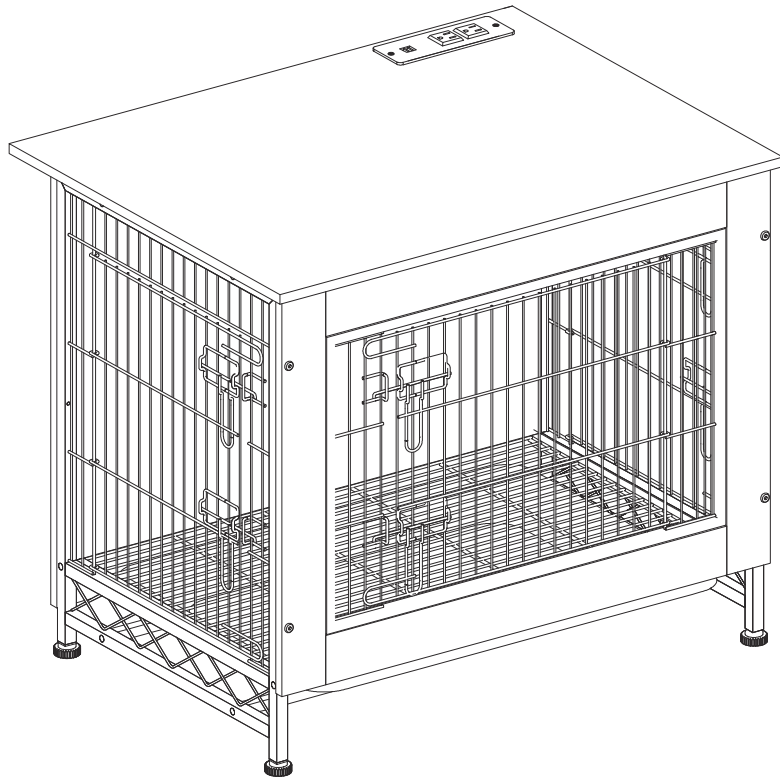
Dimensions

Width – 27.17inch
Depth –20.87inch
Height – 23.62inch

Assembly Tool Required



Screwdriver



Read all instructions before assembly and use.
KEEP INSTRUCTIONS FOR FUTURE USE.



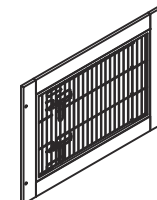
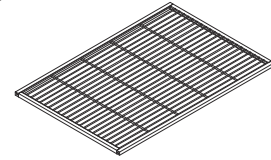
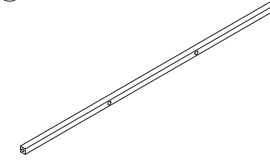

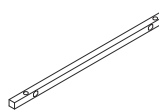
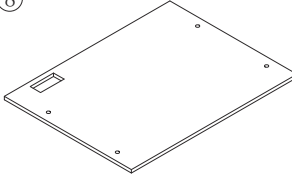
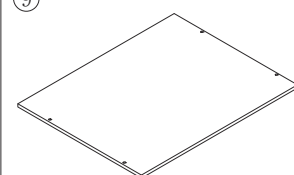
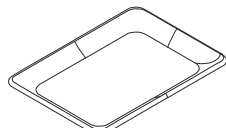
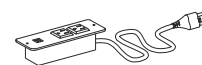
If you need assistance or find missing or damaged parts in the package, contact us by mail: info@wasagun.com

WASAGUN






Components

If you need assistance or find missing or damaged parts in the package, contact us by mail: info@wasagun.com

Please check all parts below under a good condition before you install the dog cage.

①  1PCS	②  1PCS	③  1PCS
④  1PCS	⑤  2PCS	⑥  2PCS
⑦  2PCS	⑧  1PCS	⑨  1PCS
⑩  1PCS	⑪  1PCS	

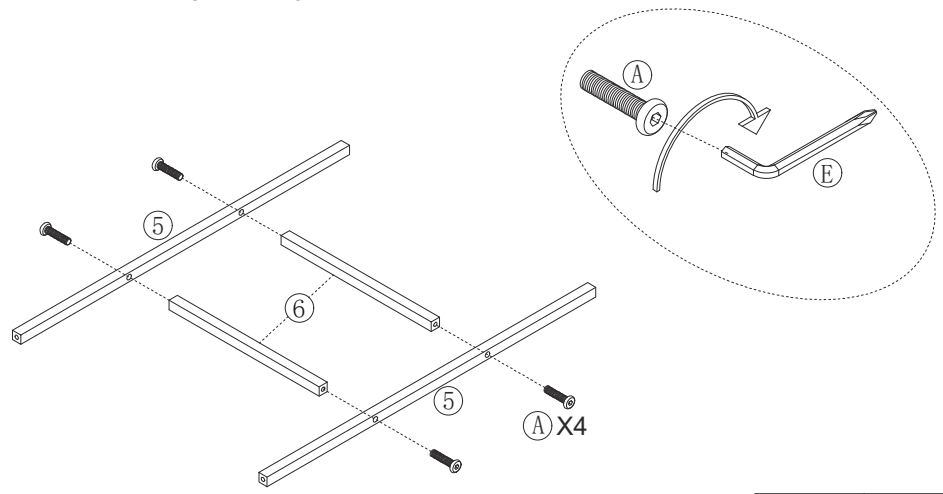
*The number of screws refers to the screws actually needed, but we will add some more screws as reserve.

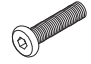

Ⓐ  24PCS	Ⓑ  4PCS	Ⓒ  2PCS
Ⓓ  4PCS	Ⓔ  1PCS	

Assembly Instructions

Step 1

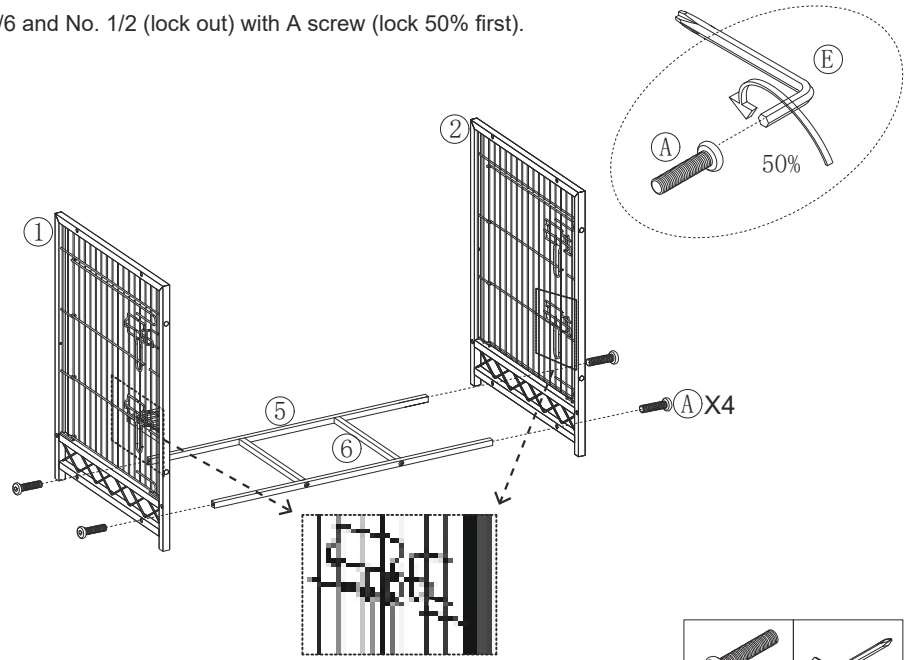
Assemble and secure No. 5 and No. 6 with screw A.





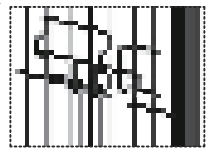
	
AX4	EX1

Step 2

Assemble No. 5/6 and No. 1/2 (lock out) with A screw (lock 50% first).



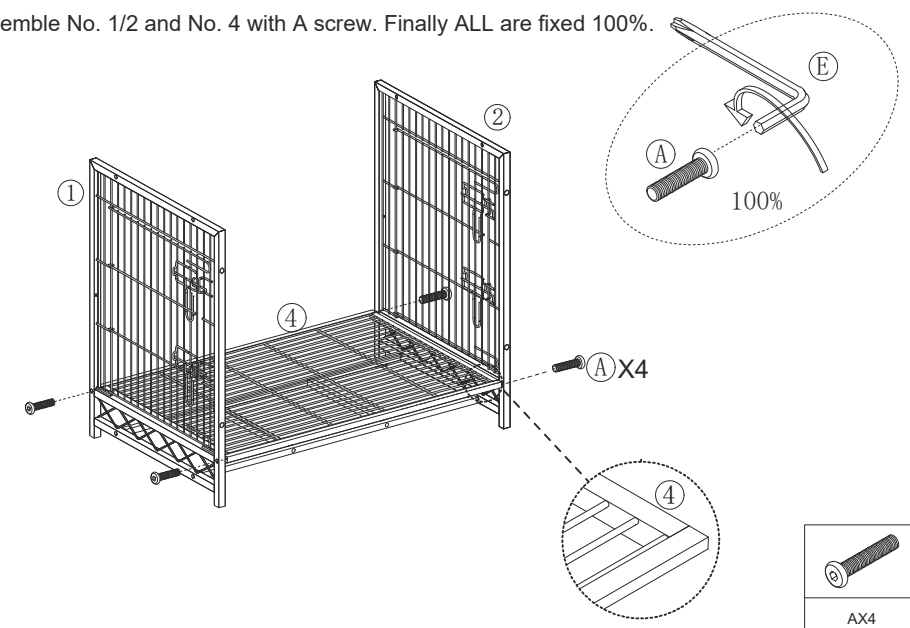
	
AX4	EX1





Assembly Instructions

Step 3

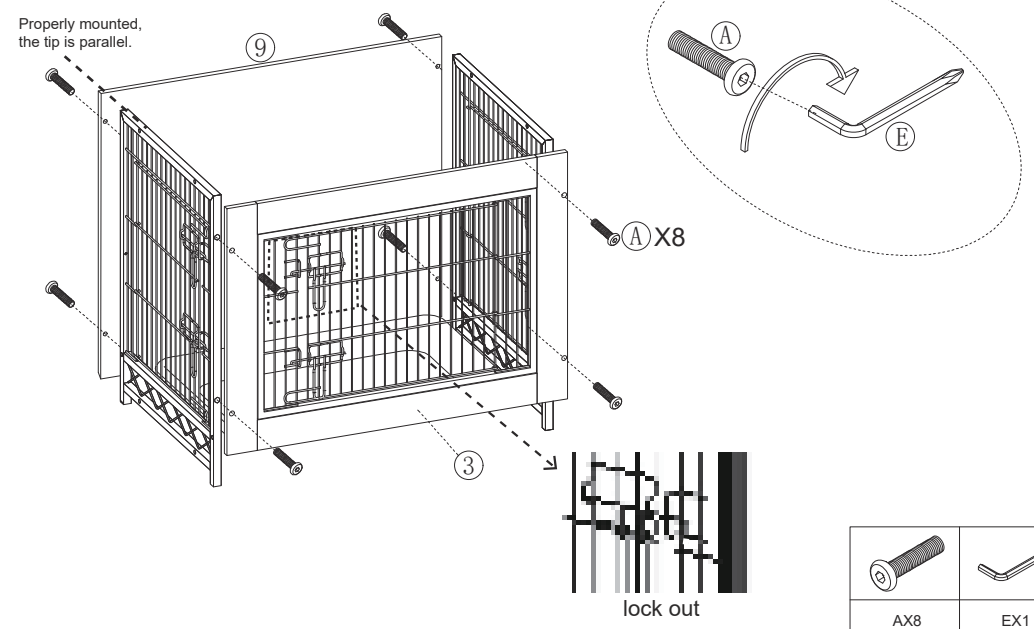
Assemble No. 1/2 and No. 4 with A screw. Finally ALL are fixed 100%.

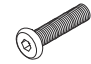



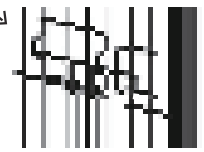
	
AX4	EX1

Step 4

Attach No.3 and No.9 to the assembled assembly using screw A. Please note No.9 needs to distinguish the direction, the hole far away from the edge is installed downward.



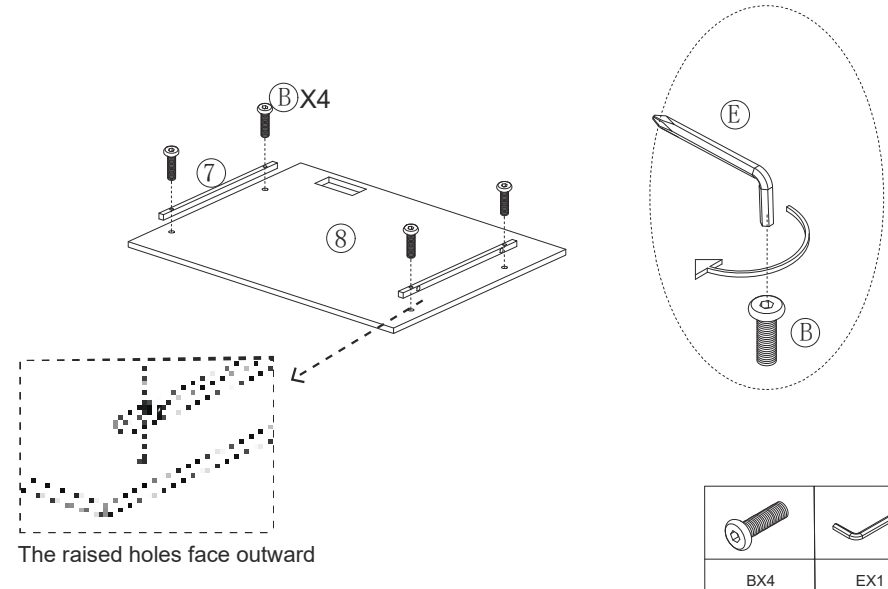
	
AX8	EX1



Assembly Instructions

Step 5

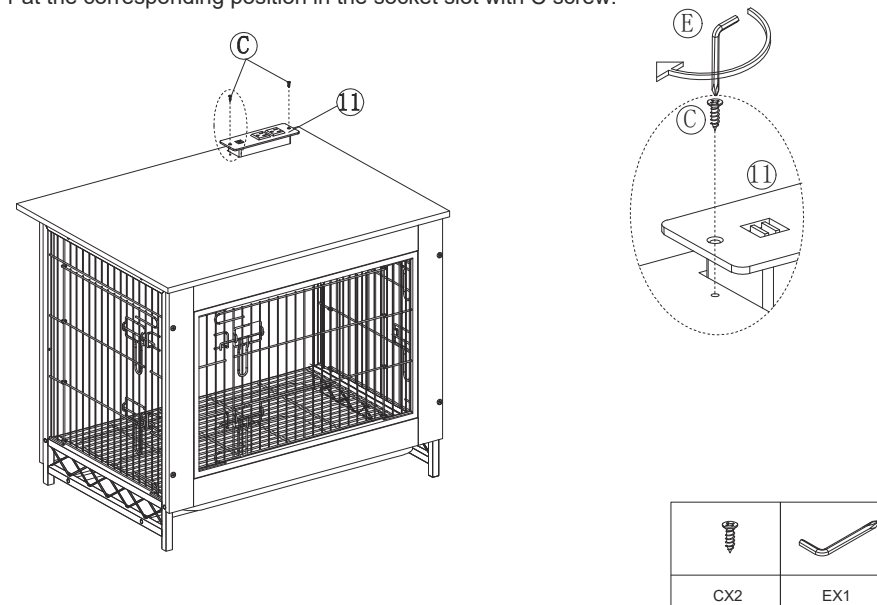
Assemble and secure No. 7 and No. 8 with screw B.



Assembly Instructions

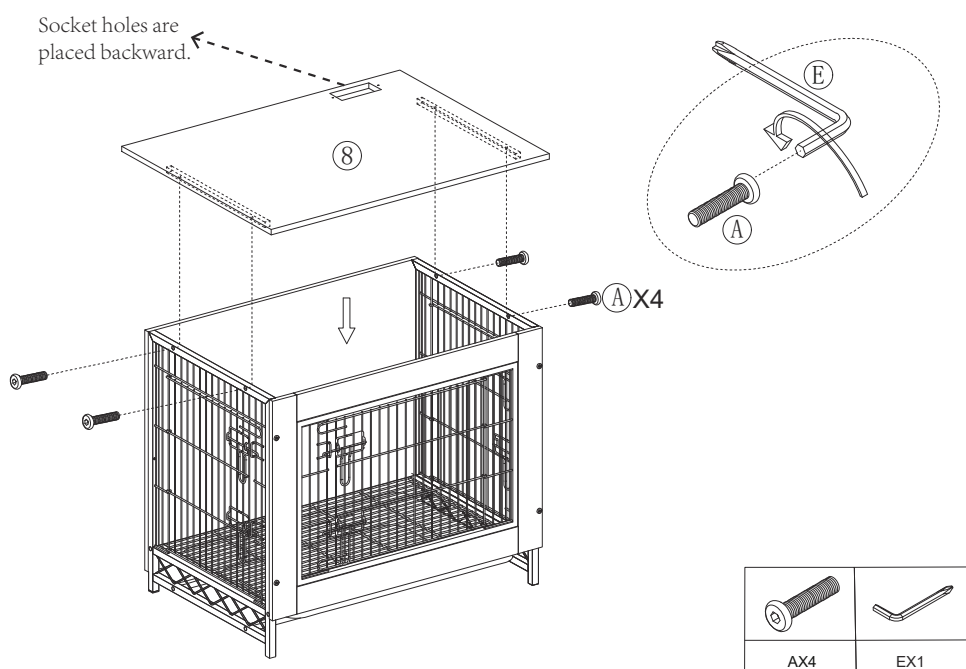
Step 7

Assemble No. 11 at the corresponding position in the socket slot with C screw.



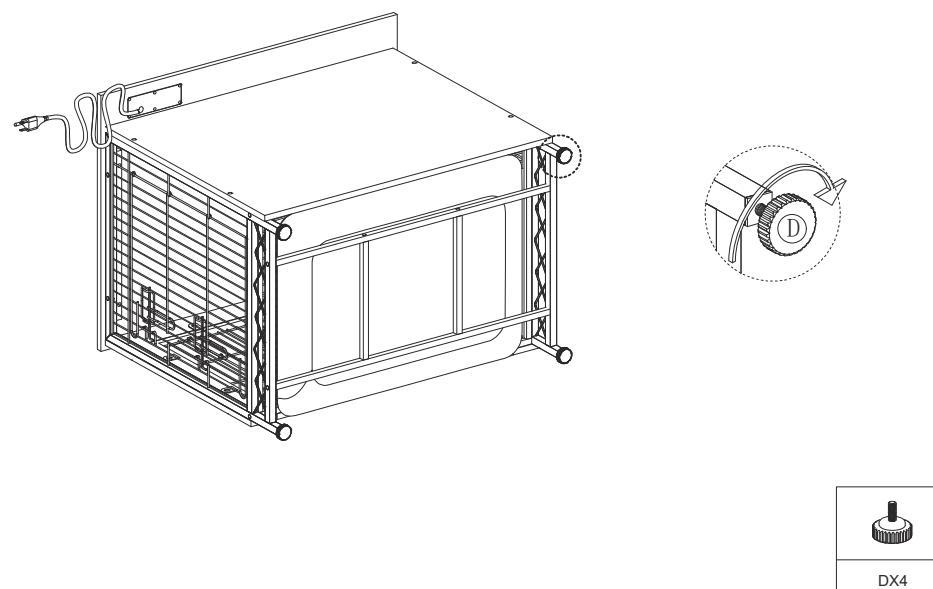
Step 6

Assemble the No. 8 assembly on the assembled assembly using screw A.



Step 8

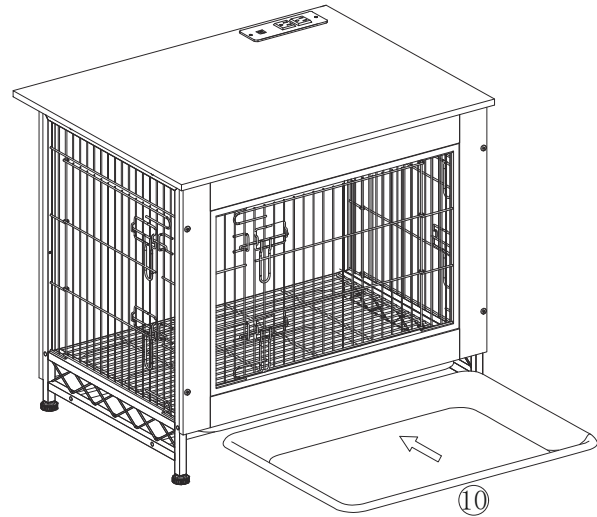
Assemble the adjusting feet on the four feet, the foot can be adjusted to the height of 15mm, the four feet need to be adjusted to use, to prevent shaking!



Assembly Instructions

Step 9

Place No.10 under the bottom frame card slot and the assembly is complete.



Safety Notes and Care Advice

Important — Please read these instructions fully before starting assembly

Check that if you have all the components and tools listed on the front cover and pages 2.

Remove all fittings from the plastic bags and separate them into their groups.

Keep children and animals away from the work area, small parts could choke if swallowed.

Make sure you have enough space to layout the parts before starting.

Do not allow your child to stand or climb on the dog cage, this may make it top-heavy and cause the device to break or topple over.

Assemble the item as close to its final position (in the same room) as possible.

Do not place furniture directly in front of radiators, fires or any other source of heat.



Parts of the assemble will be easier with 2 people.

Assemble on a soft level surface to avoid damaging the unit or your floor.

Don't overload the dog cage.



Do not use a power drill/screwdriver for inserting screws, as it can cause screws to break or strip.

Dispose of all packaging carefully and responsibly.

Manufacturers: DongGuan HangXing Houseware co.,Ltd
 Add.: Building 5, No. 6 Heshi Road, Qiaotou, Dongguan City, Guangdong
 Contact: Carl Tel: +1 (838) 910-8241 E-Mail: info@wasagun.com.

Safety Notes and Care Advice

Important — Please read these instructions fully before starting assembly

General care and maintenance

Clean with mild soap on a damp , soft rag. Rinse and dry thoroughly. Do not use abrasive chemicals for cleaning.

Please check if there any loose screws on the unit from time to time.

This product should not be discarded with household waste. Take to your local authority waste disposal centre.

Cleaning and care of high gloss surfaces

Regular dusting with a dry cloth will keep your units
 Clean marks with a damp cloth.
 Do not allow spillages to stay on the surface
 To remove stubborn stains, wipe with a damp cloth and washing up

Do not use abrasive cleaners. Do not clean with products containing the following: Acetone, (e. g nail varnish remover). Ammonia (e. g. bleach). orSodium hydroxide (e. g. Caustic soda, drain and oven cleaners).

In the event of accidental contact with aggressive cleaners, rinse thoroughly with water.
 To remove stains and small scratches use a car polish or light cutting compound.
 Use place mats to protect the surface from moisture and heat.

WARRANTY

Thank you for choosing WASAGUN product. We sincerely hope that you are satisfied with it. The manufacturer's warranty covers the product for a period of 24 months from the date of purchase against manufacturing faults. All warranties are automatically kept track of in our system, so there is no need to register your product.

Agent/Distributor is welcome to contact us. Email: info@wasagun.com.

Any help or questions during use, please contact us via website www.wasagun.com, send email to info@wasagun.com, we will service you within 24 hours. We suggest to provide a warranty card, a photo or a video if there's broken spare part or not working machine so that we can be much more clear about your problems and offer you the best solution.



WASAGUN WASAGUN.COM

Product No. _____

Serial No. _____

Customer Name _____

Address _____

City _____

State _____

Zip _____

Phone _____

E-mail _____

Please fill in the table and email it within 10 days from the date of purchase.