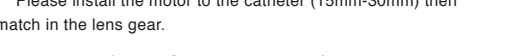


PDMOVIE

LIVE PRO Product Manual

1. Installation Of Controller

Please install the controller (PDL-TC-PF or PDL-TC-PFZ) to the (15mm-30mm) catheter with the adaptor.



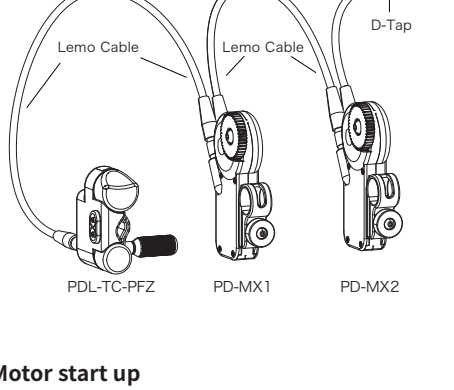
PDL-TC-PF single-channel handle PDL-TC-PFZ dual-channel handle

2. Installation Of Motor

Please install the motor to the catheter (15mm-30mm) then match in the lens gear.

3. Connection Of Controller With Motor

- For using the controller (PDL-TC-PF) : Please let the motor and handle control connect with Lemo cable .Then let the D-TAP cable connect the motor with the D-tap output on the V-Mount Battery .
- For using the controller (PDL-TC-PFZ) ,please follow the steps below : FIRST let Lemo cable connect the motor(PD-MX1&2) , SECOND let the other lemo cable connect the handle control and the motor(PD-MX1). THEN let the D-tap cable to connect the motor (PD-MX2)and the socket (REMOTE 7-20V). LAST let the D-Tap cable connect the motor with the D-tap output on the V-Mount Battery.



PDL-TC-PFZ PD-MX1 PD-MX2

4. Motor start up

The motor do not need to turn on and off, cause it will turn on automatically when it have power supply and it will turn it off when power outage.(To know more detail please check with the instruction No.7 & 8.)

5. Calibrate Lens Stroke

The controller PDL-TC-PF and PDL-TC-PFZ do not have ON/OFF button and it will turn on automatically when power supply.

- For the controller PDL-TC-PF : Press the CHANNEL button for 3 seconds for calibrate.
- For the controller PDL-TC-PFZ : Press and hold the ZOOM button or ^{FOCUS}IRIS button for 3 seconds for calibrate. Then two of the motors' will work at the same time when it calibrating.

6. Operation For Controller

Switch the controller hand wheel or Rocker to control the FOCUS/ZOOM/IRIS

- When using the PDL-TC-PF please be sure the indicator light on the controller and motor are in please same color. (Recommend both on red.)
- When using the PDL-TC-PFZ please be sure that the indicator light (Left side) on the controller and motor (PD-MX1) are in the same color. (Recommend both on red.); please be sure that the indicator light (Right side) on the controller and motor (PD-MX2) are in the same color. (Recommend both on green.)

- When using the PDL-TC-PF and PDL-TC-PFZ please be sure that the indicator lights on the PDL-TC-PF and motor (PD-MX1) are in the same color. (Recommend both on red.); the indicator light (Left side) on the PDL-TC-PFZ and motor (PD-MX2) are in the same color. (Recommend both on blue.); And the indicator light (Right side) on the PDL-TC-PFZ and motor (PD-MX3) are in the same color. (Recommend both on green.)

7. Instruction of controller

Button & Socket	Functions	Instruction	
	Automatically Calibrate Stroke	● Press and hold the button for 3 second	
CHANNEL	Manual Setting (AB Point)	Set	● Setting: Please turn the lens to the A point and press the button (FOCUE/ZOOM/IRIS) on the controller for setting A point. Then turn the lens to the B point and press the button again for setting B point.
		Cancel	● Cancel : After "setting", press the button (FOCUE/ZOOM/IRIS) on the controller for cancel the AB point.
ZOOM	Switch Channel	●●	Double click the button (FOCUS/ZOOM/IRIS) for changing channels which mean switch the indicator light color.
FOCUS IRIS	Switch Rotation Speed of Motor	●●●●●	Press the button(ZOOM) on the controller (PDL-TC-PFZ) five times for adjust the speed of motor. Press the button on the motor for adjust the speed. (Instruction 8.2 to see more details)
	Switching the rotation direction of the motor	●●●●●●●	Press 7 times, will turn opposite. (Also change the direction of the lens)
REMOTE 7-20V	The socket on the controller and motor support signal transmission, power supply and 7-20 voltage.		

8. Instruction Of The Motors

①. Motor Button Instruction

The Button Interface / Motor Button	Functions
CHANNEL SPEED	Motor rotation speed and channel switching (refer to channel switching and motor speed switching table)
REMOTE 7-20V	Control signal transmission, universal 6-Pin socket for power supply, support 7-20 voltage supply. The 7-20V controller and the motor have the socket.

②. Switching Motor Rotation Speed

Quickly press the SPEED button on the motor	The rotation speed of motors	The flashing frequency of the corresponding indicator lights
●●●●●	Fast (Hard torsion)	Fast Flash
	Normal (Normal torsion)	Normal Flash
	Slow (Light torsion)	Slow Flash

9. Controller And Motor Switching Channel Table

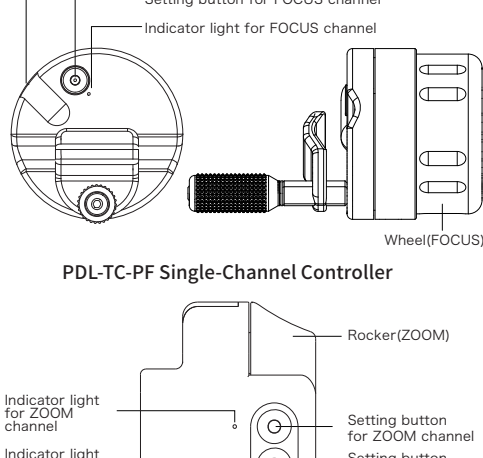
The SPEED Button On The Controller And Motor	Controller/ Motor Channels	The Color of Motors' Indicator Lights	Corresponding Channels
●●	R1	RED	FOCUS
	G2	GREEN	ZOOM
	B3	BLUE	IRIS
●●●	Y4	YELLOW	Not enabled
	C5	CYAN	Not enabled
	P6	PRUPLE	Not enabled



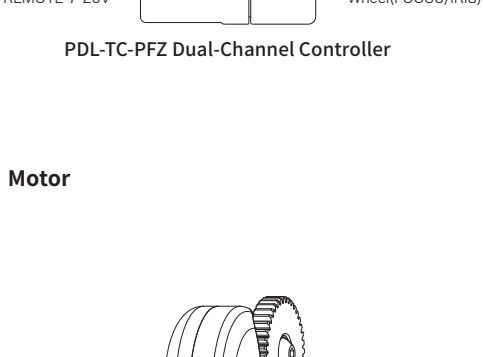
Facebook: PDMOVIE

LIVE PRO Quick Start Guide

Controller

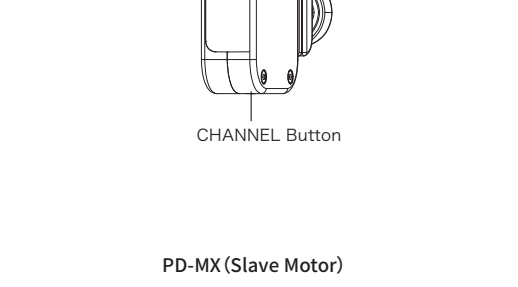


PDL-TC-PF Single-Channel Controller



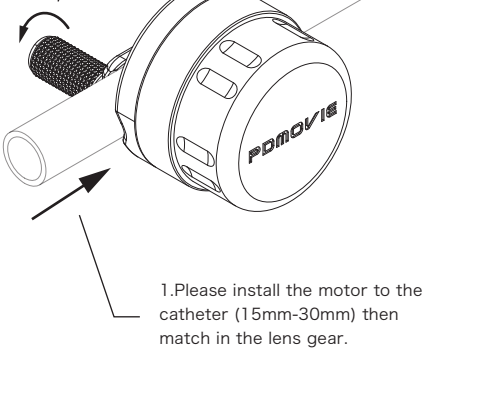
PDL-TC-PFZ Dual-Channel Controller

Motor

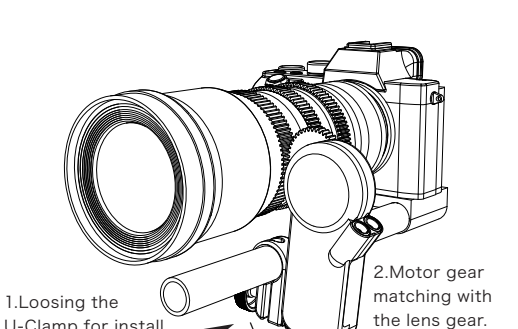


PD-MX (Slave Motor)

1. Installation Of Controller



2. Installation

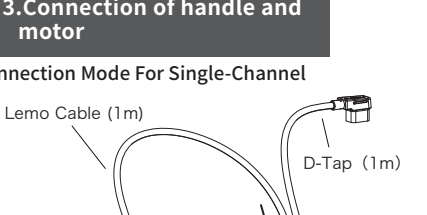


Attention

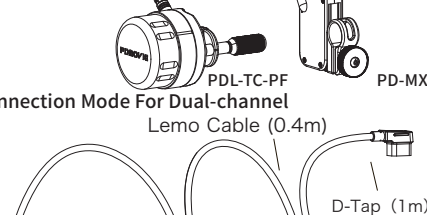
- ① The motor is used in lenses for a wide range of application ; But need the follow focus gear-ring when using the SLR camera.
- ② Motor can be install on the catheters with the diameter(15mm or 19mm) with the adapter ring.

3. Connection of handle and motor

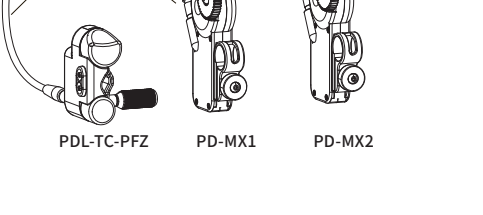
Connection Mode For Single-Channel



Connection Mode For Dual-channel



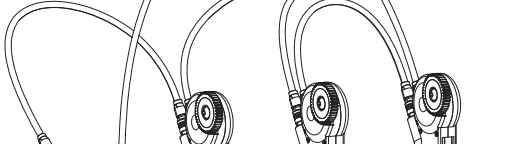
Connection Mode For Three-Channel



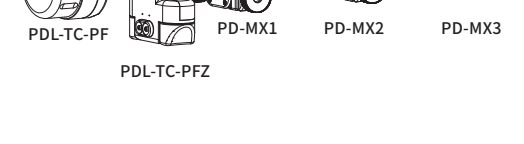
4. Start Up The Power And Set Up Channels

The motor do not need to turn on and off, cause it will turn on automatically when it have power supply and it will turn it off when power outage.

Controller PDL-TC-PF



Controller PDL-TC-PFZ



Attention: the color of the handles' indicator lights must be the same as those of motors.

5. Calibration

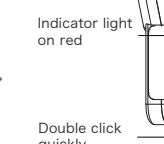
Long press the button on the controller for 3 seconds to calibrate the lens stroke.

Long press for 3 seconds.



PDL-TC-PF

Long press for 3 seconds.



PDL-TC-PFZ

LIVE PRO

PDMOVIE Technology Co., Ltd.

Web: www.pdmovie.com

E-mail: pd@pdmovie.com

Facebook: www.facebook.com/pdmovie.com.cn

©2019 PDMOVIE All rights reserved.