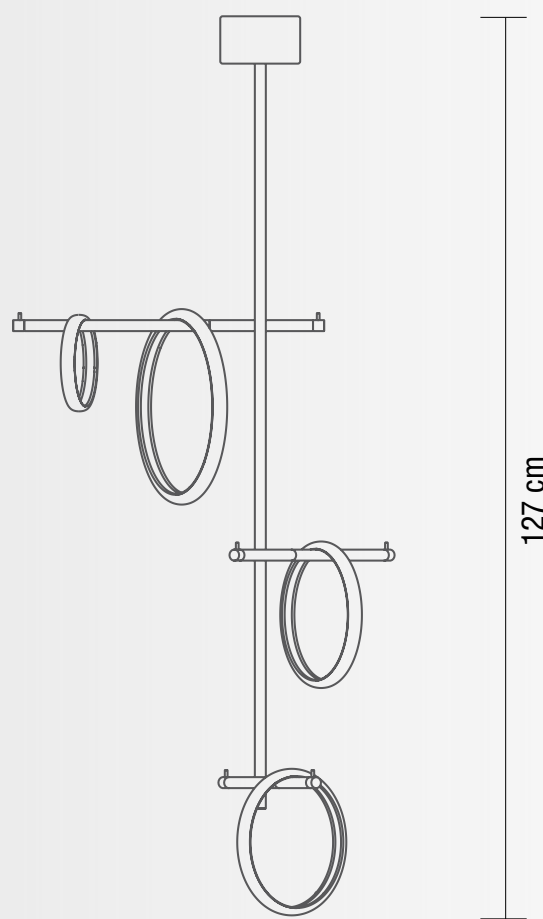


ULAOP SUSPENSION LAMP

SL-01



Composition SL-01



HOW TO ORDER:

Ex: SL-01 055.057.11.2427/D

ULAOP Suspension Lamp/ white-gold paint/ dimmable remote power supply

ART./CODE:	NOTE:	FINISHES:	DIMENSIONS:	BULB:
Composition SL-01 055.057.11.	Integrated Power Supply	.2427 white-gold paint	Ø 80cm(31,49") H tot 127cm(50") rings	33W 2840 lm
Composition SL-01 055.057.11./D	Dimmable Integrated Power Supply	.3527 black-gold paint	1 pz. Ø32cm(12,59") 2 pz. Ø24cm(9,44") 1 pz. Ø16cm(6,29") frame 100W max	3.000 °K 110V



WE WELCOME ALL CUSTOM ORDERS!

IES files upon Request

g@gordonbullard.com
www.cerchiolighting.com
269-569-6700



991 South Gull Lake Dr
Richland, MI 49083, USA
1 877-964-4646