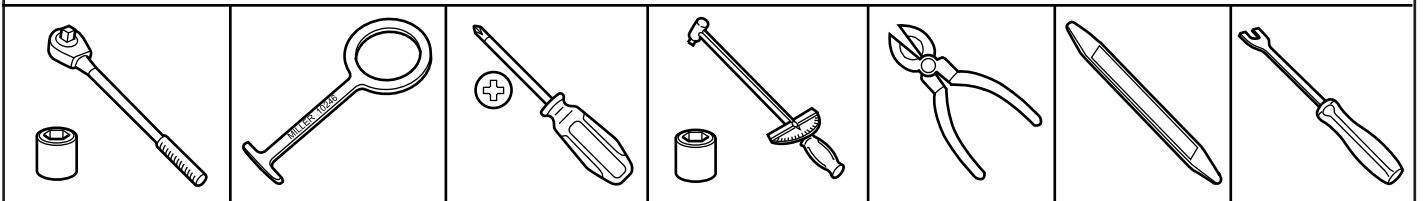
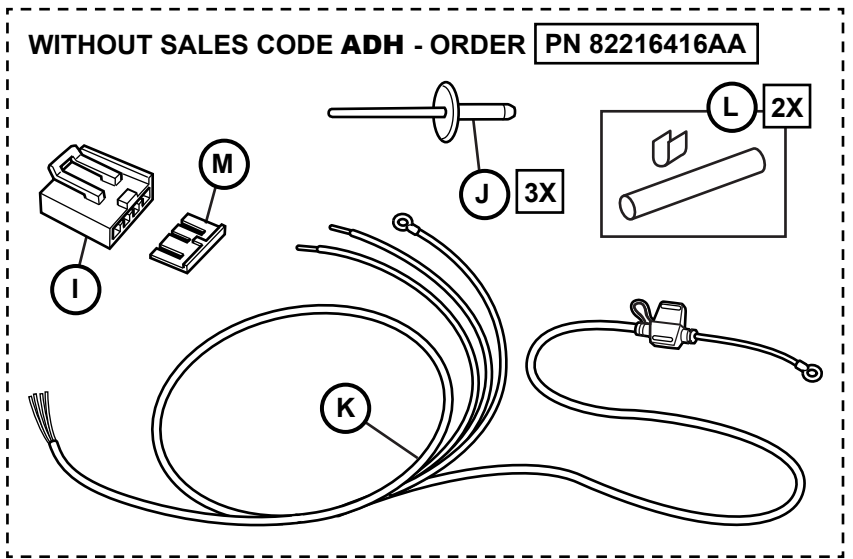
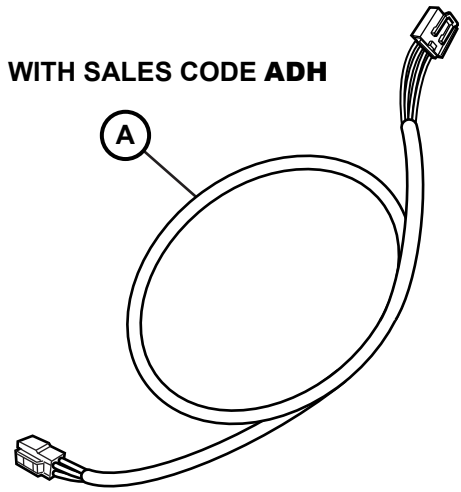
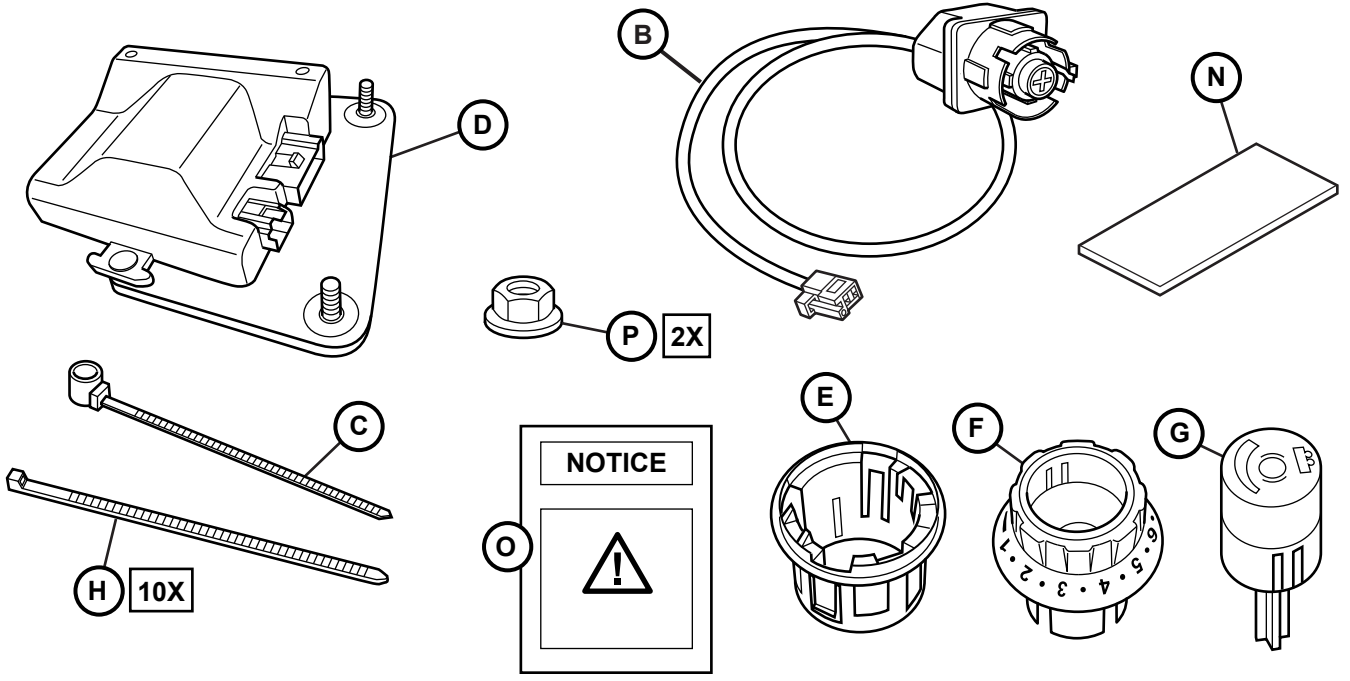
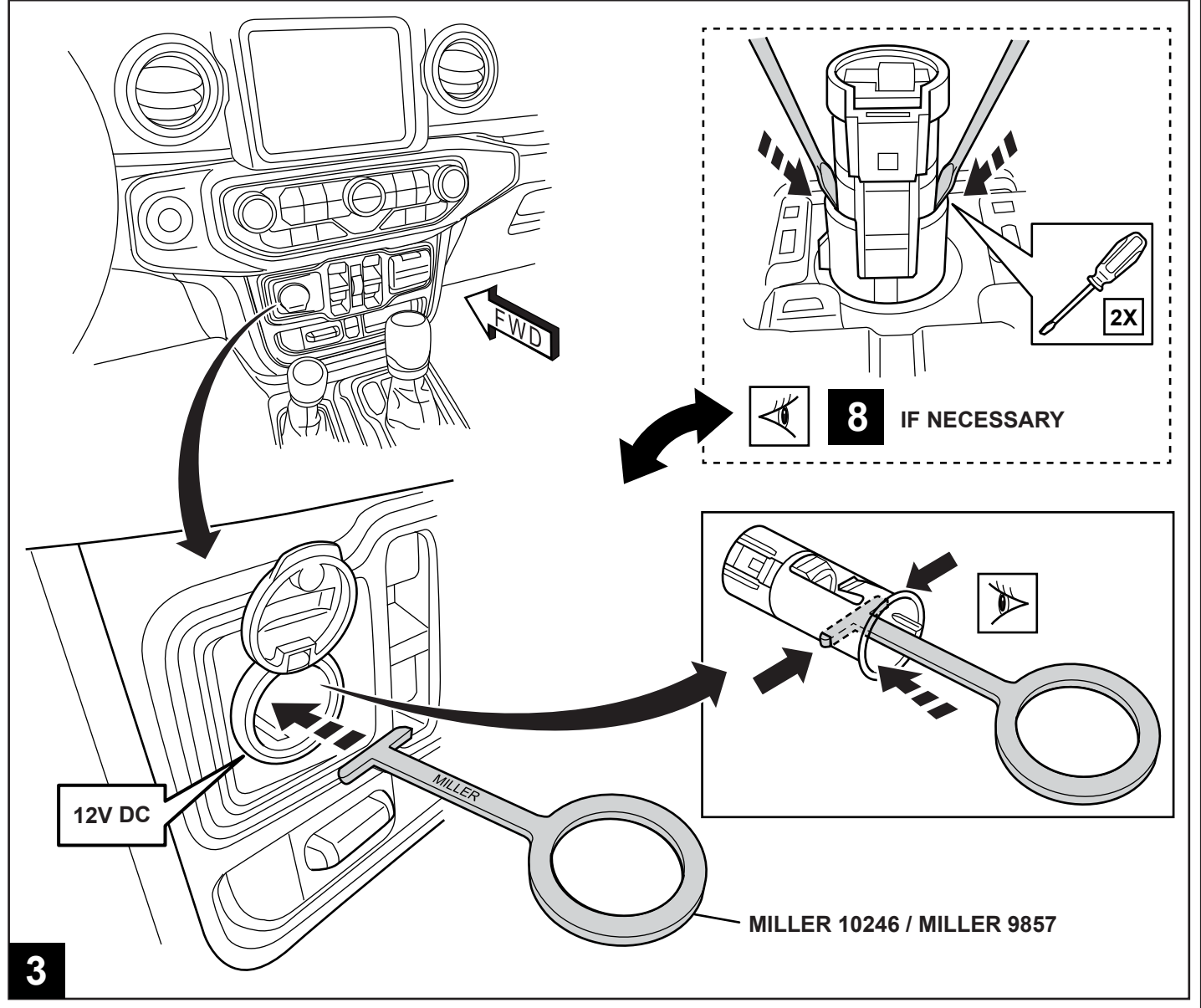
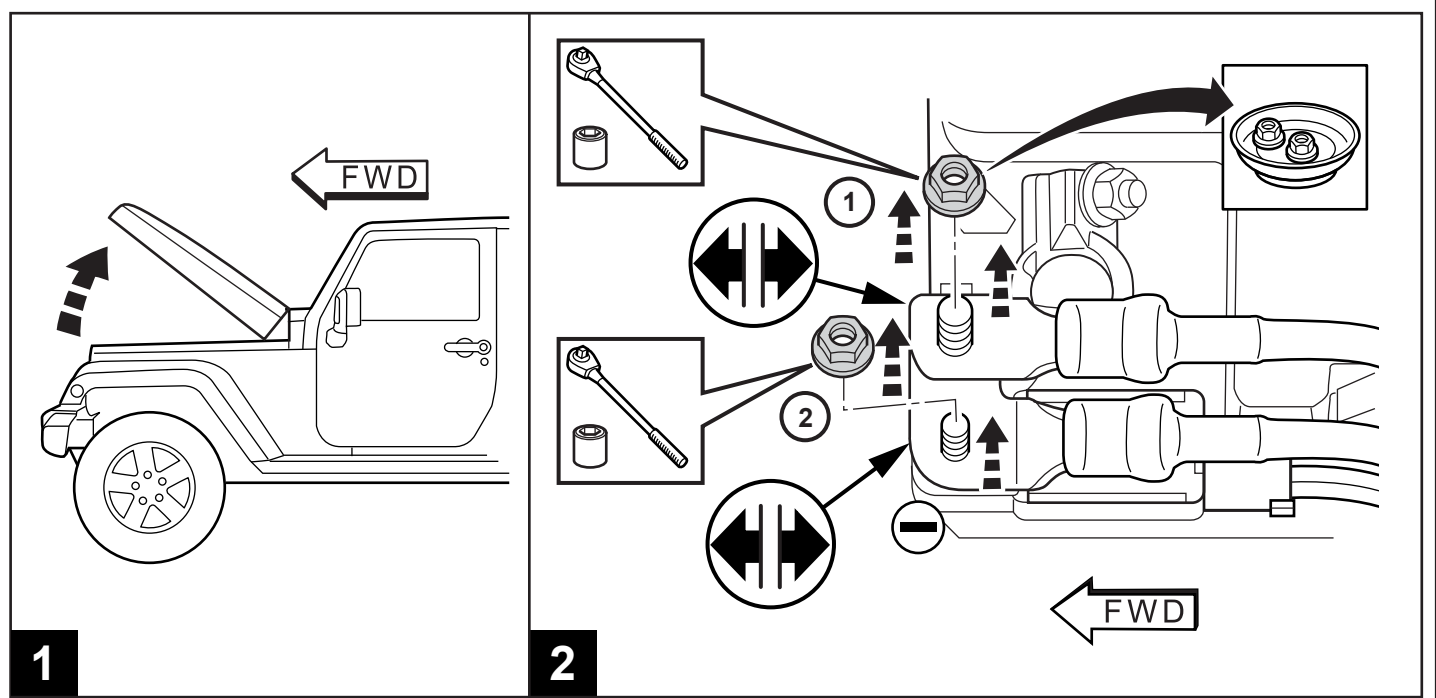


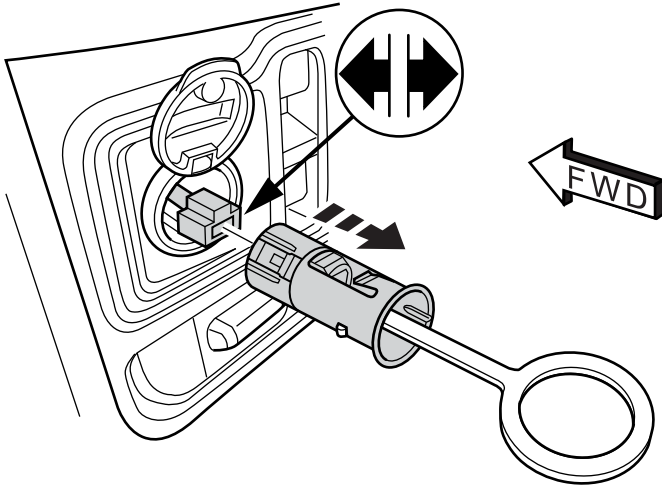


TRAILER BRAKE JEEP WRANGLER/GLADIATOR

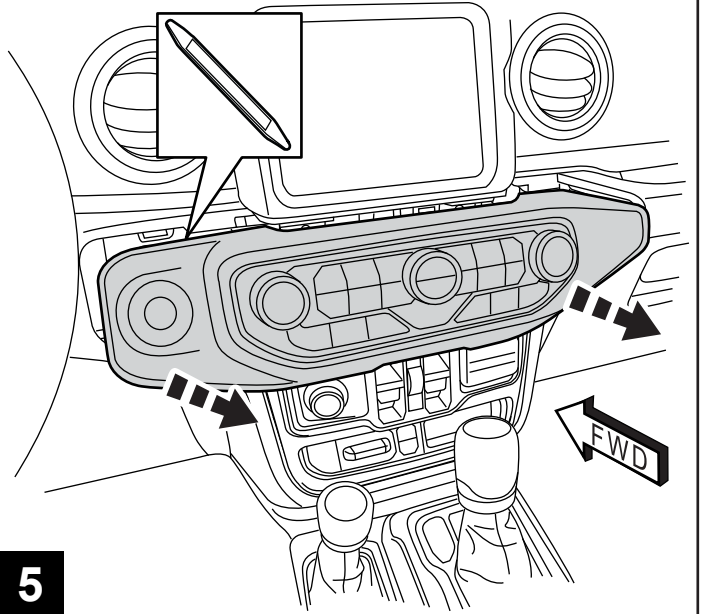
www.mopar.com



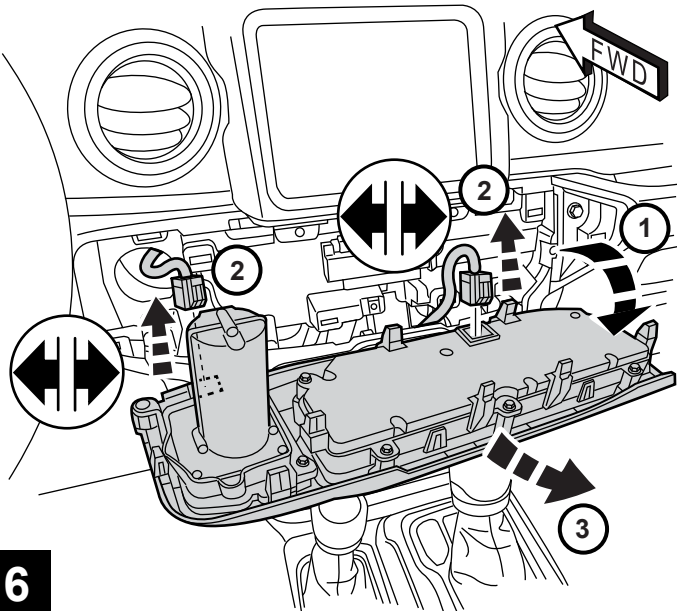




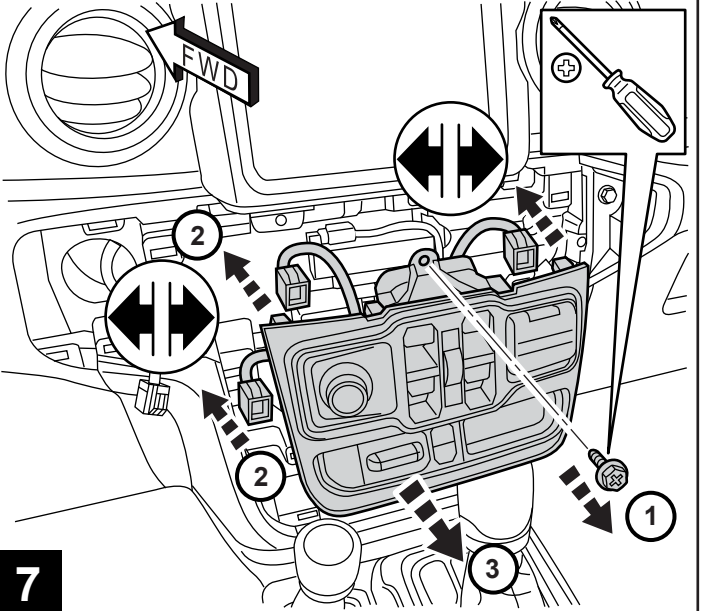
4



5

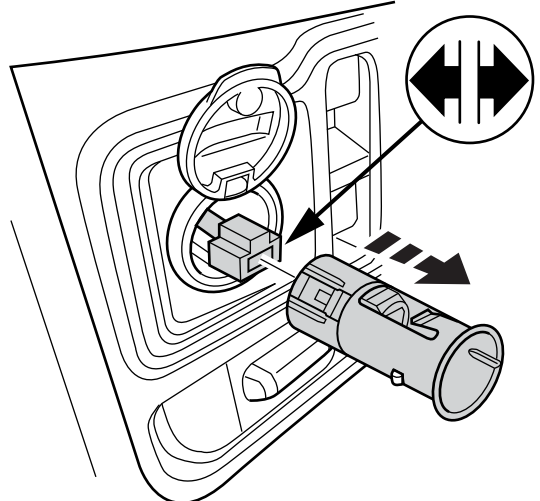
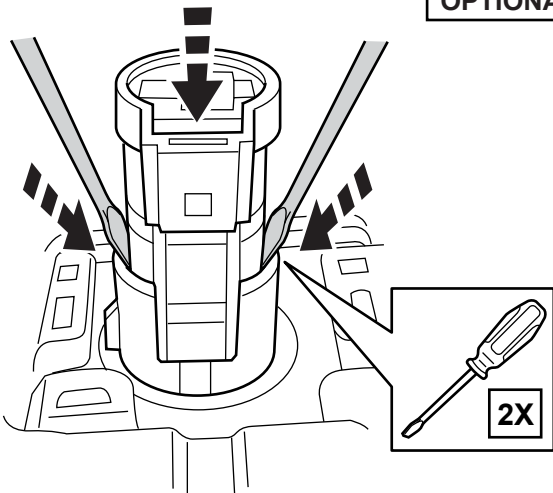


6



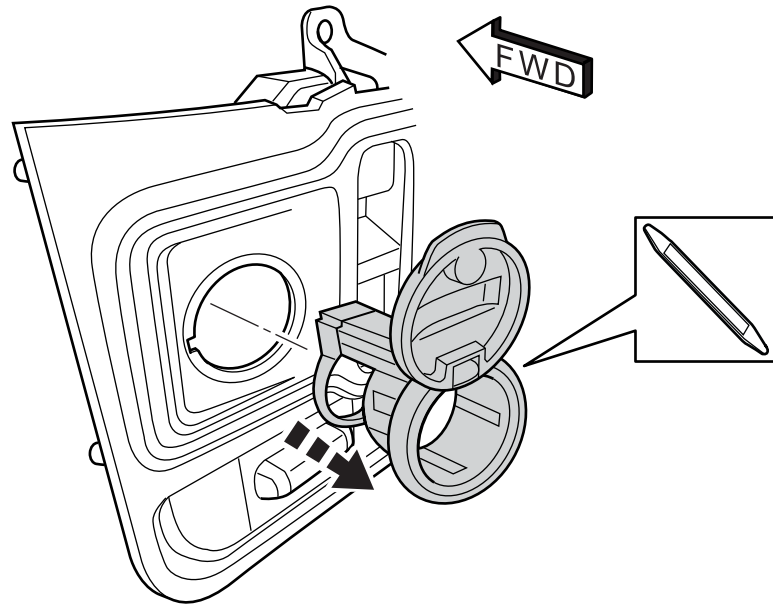
7

OPTIONAL

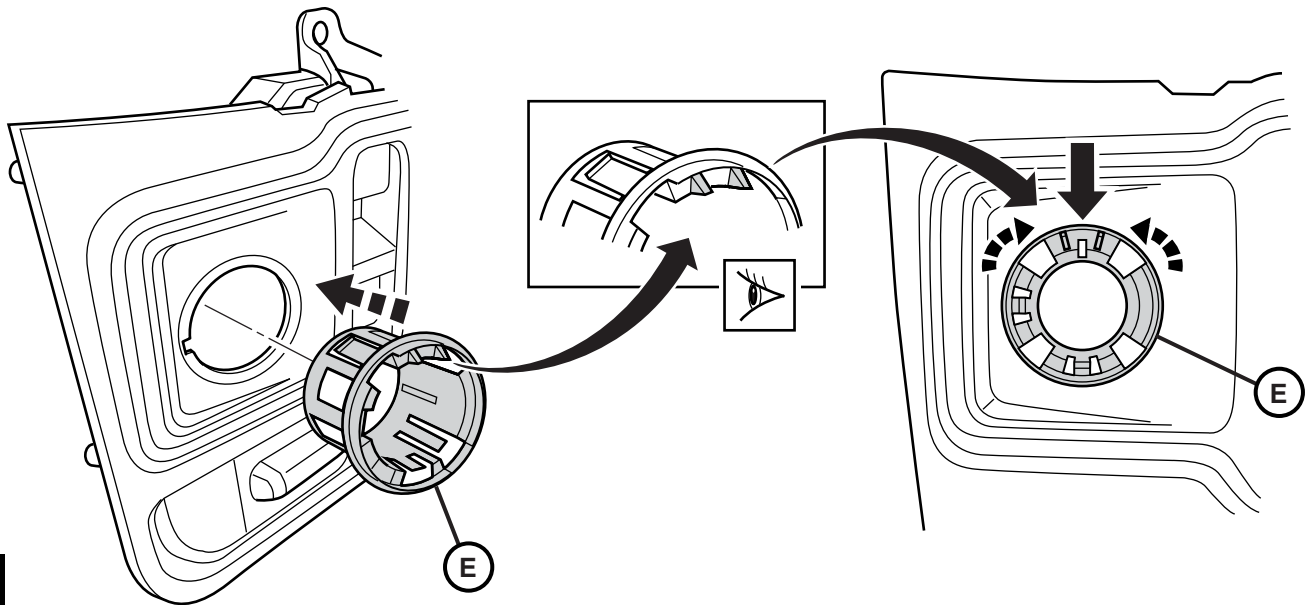


8

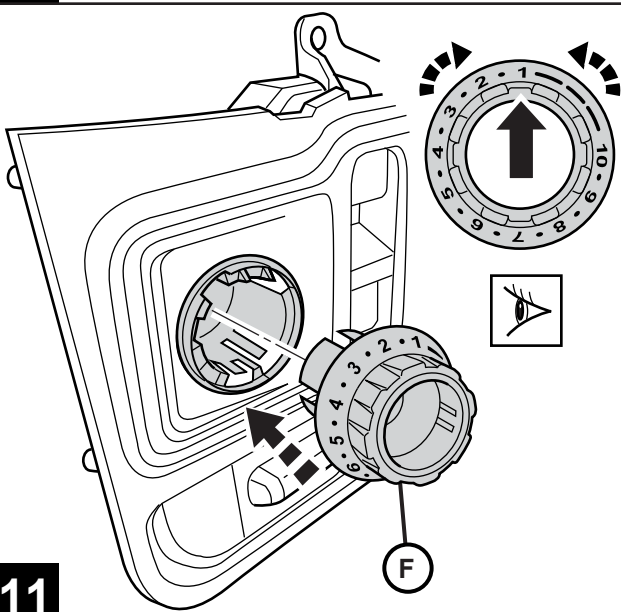
9



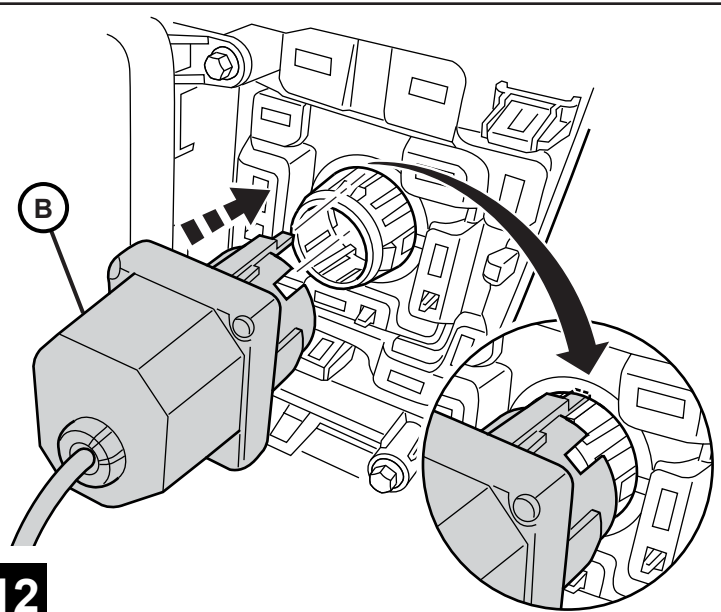
10

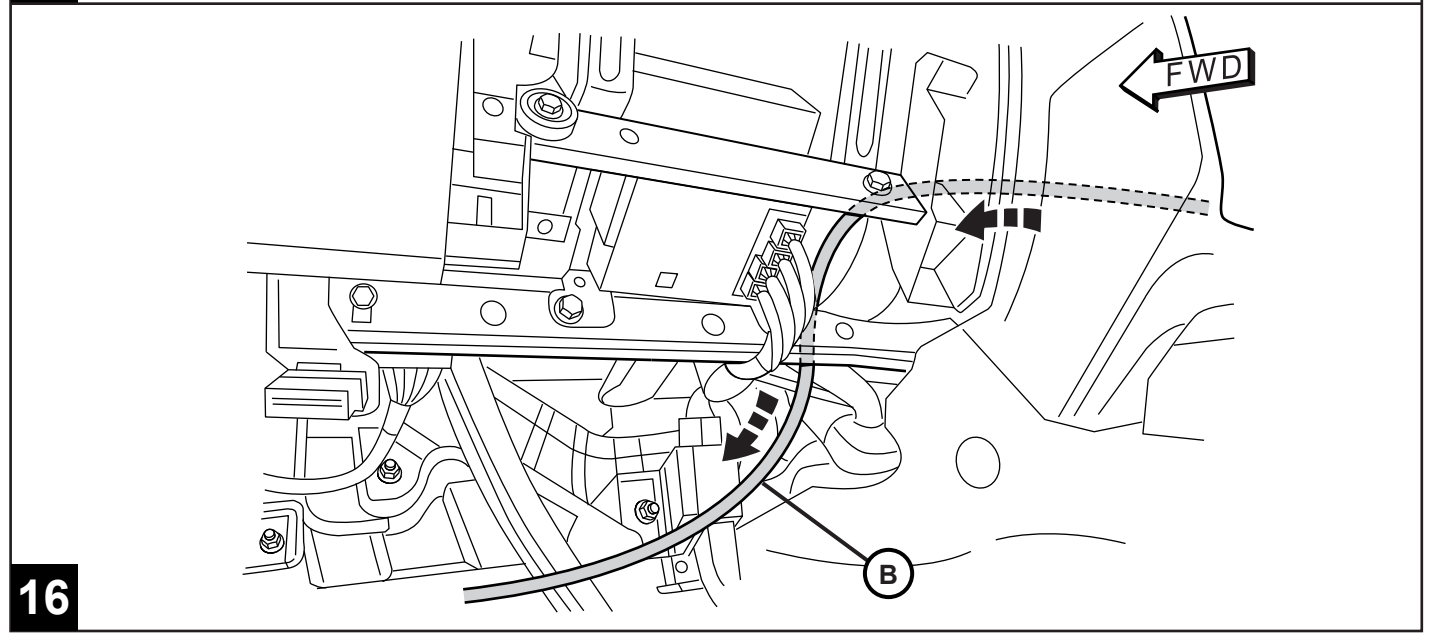
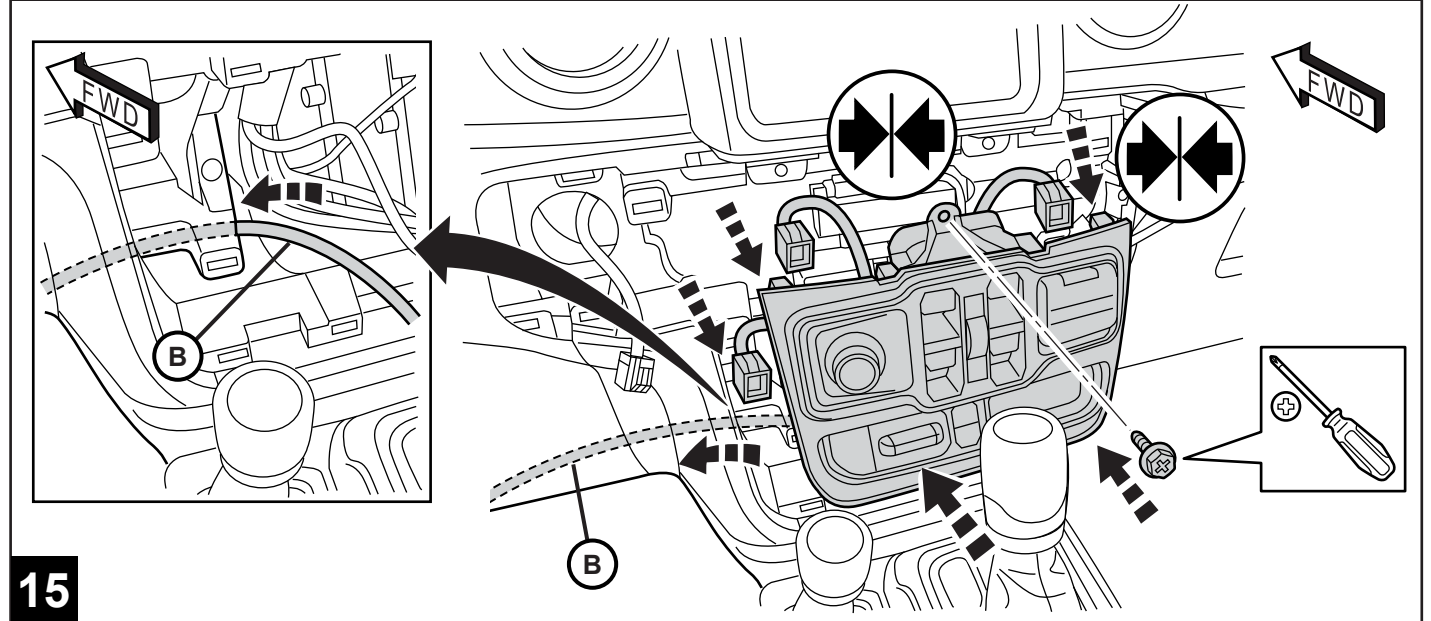
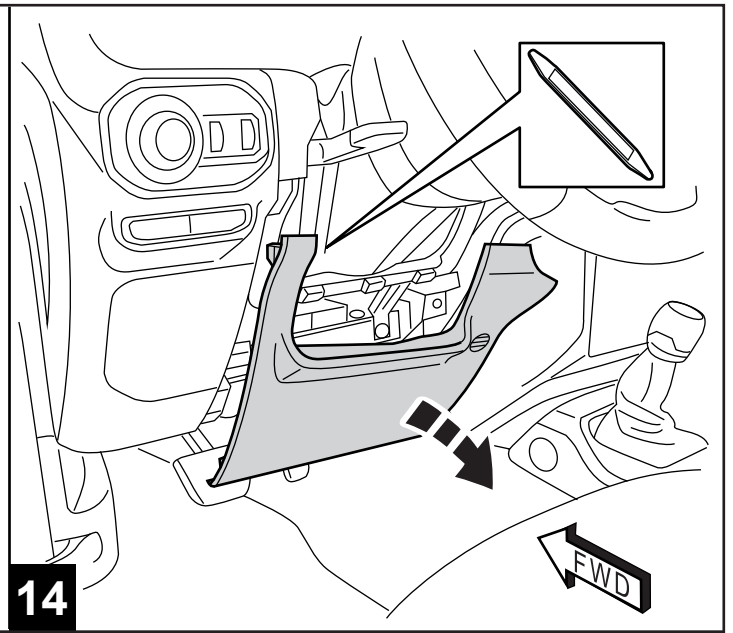
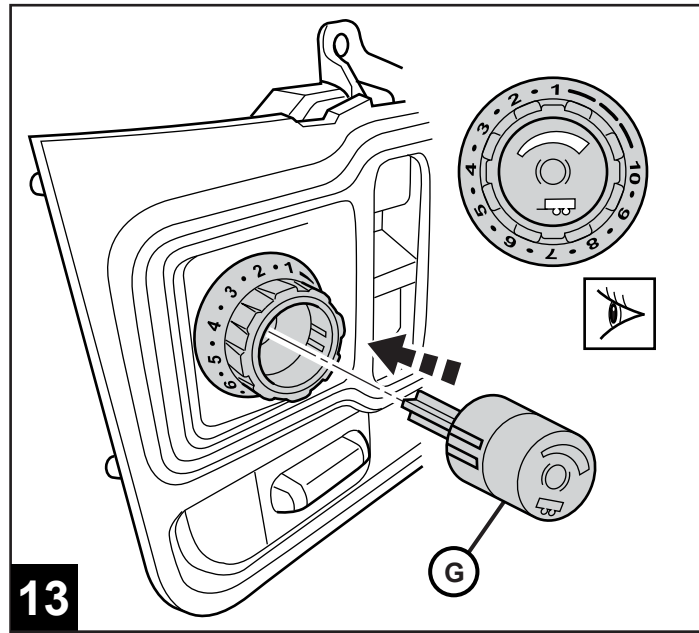


11

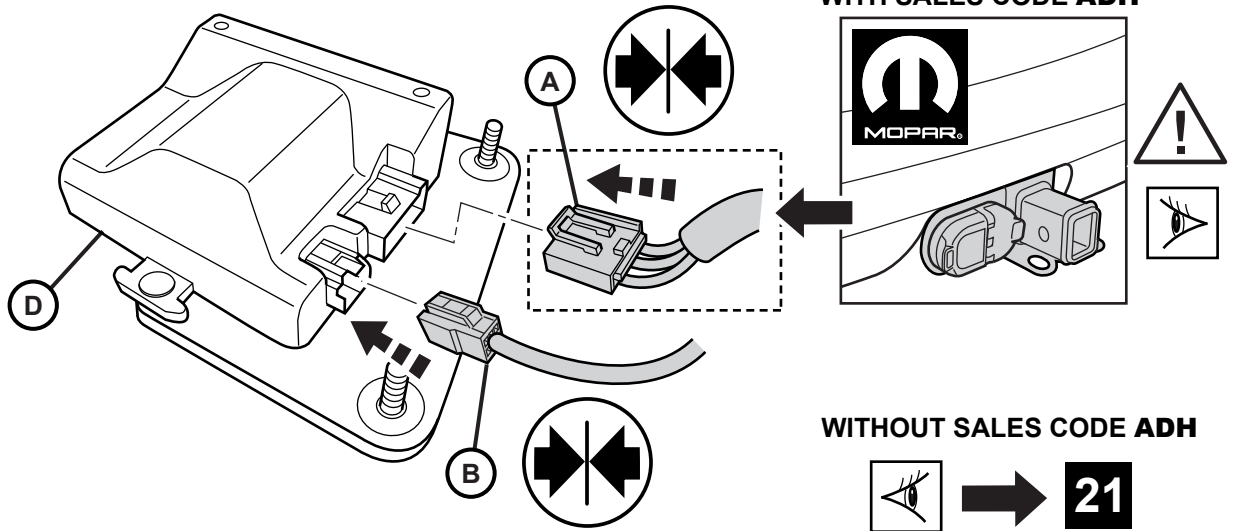


12

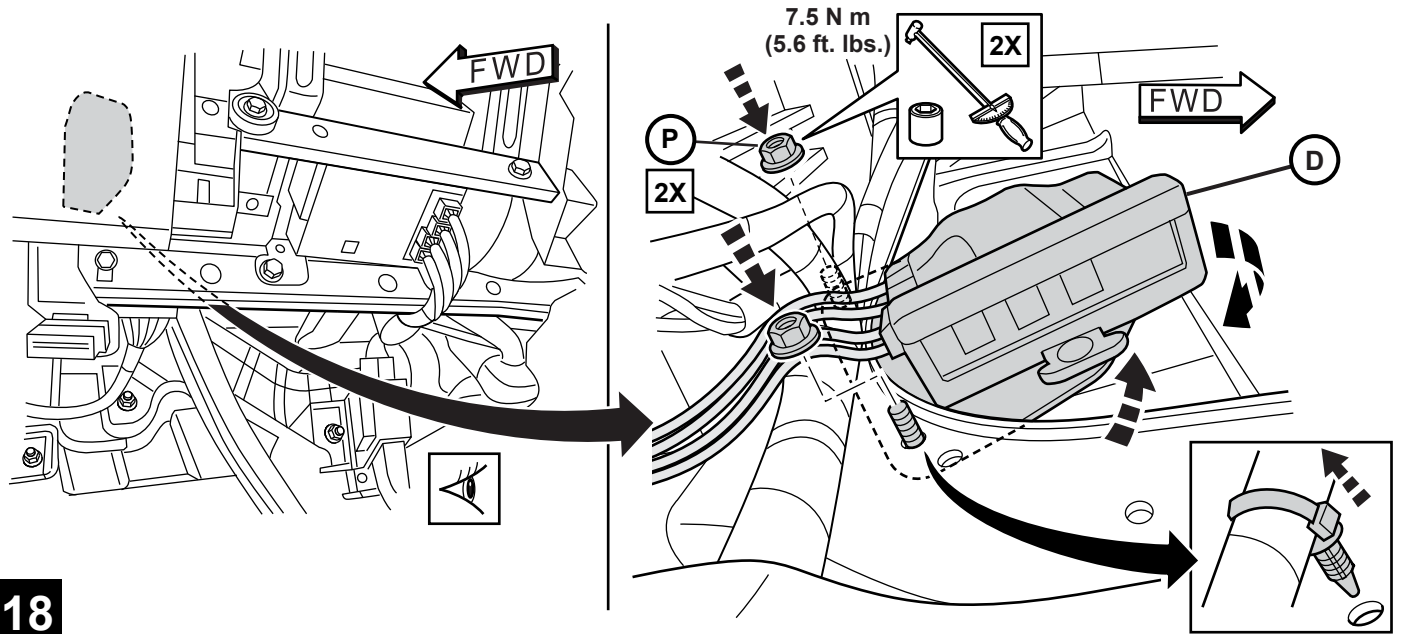




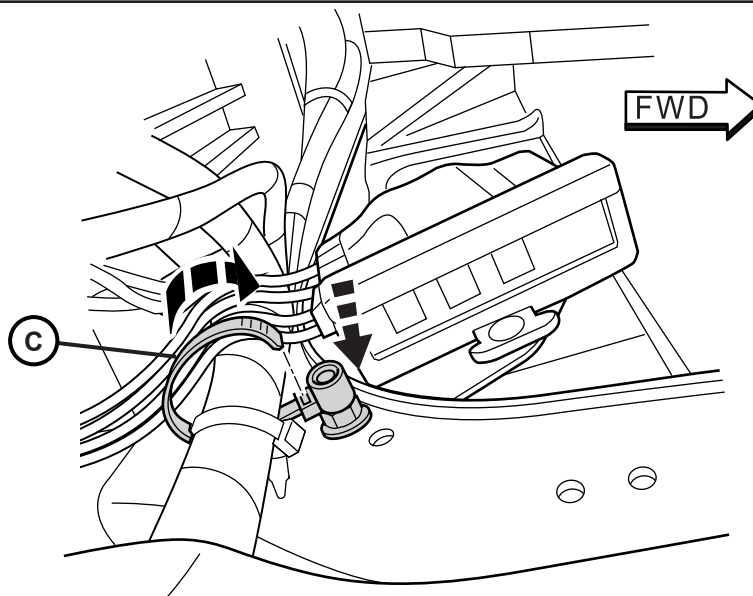
WITH SALES CODE ADH



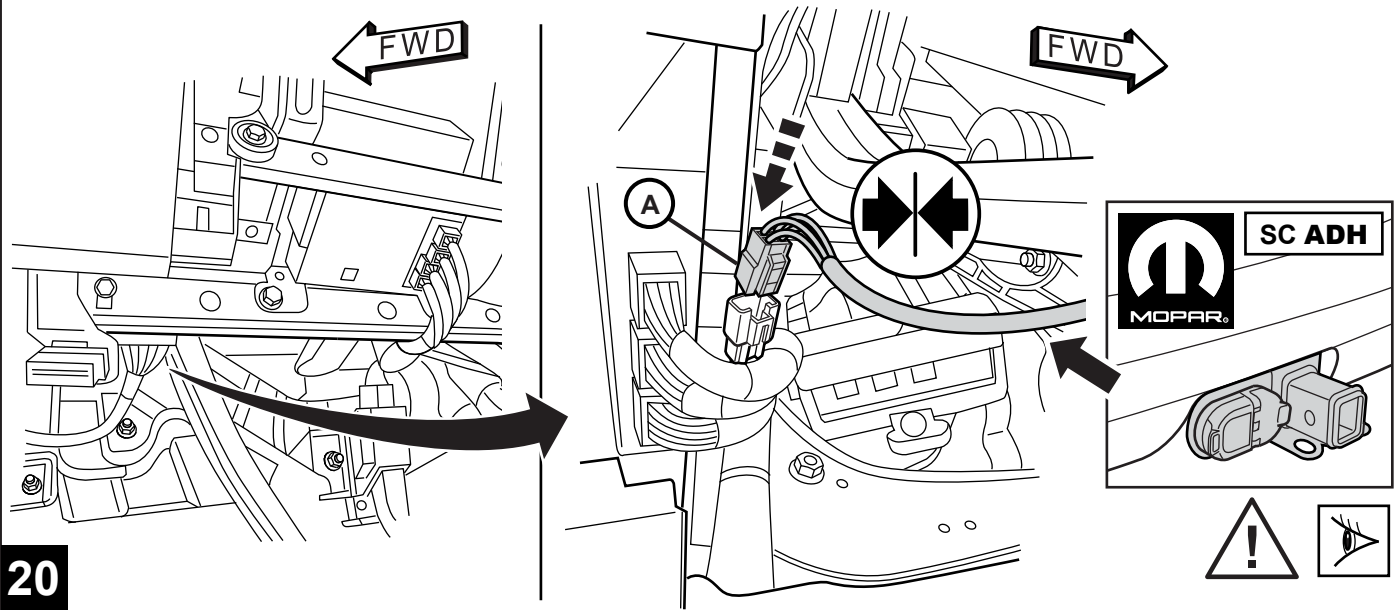
17



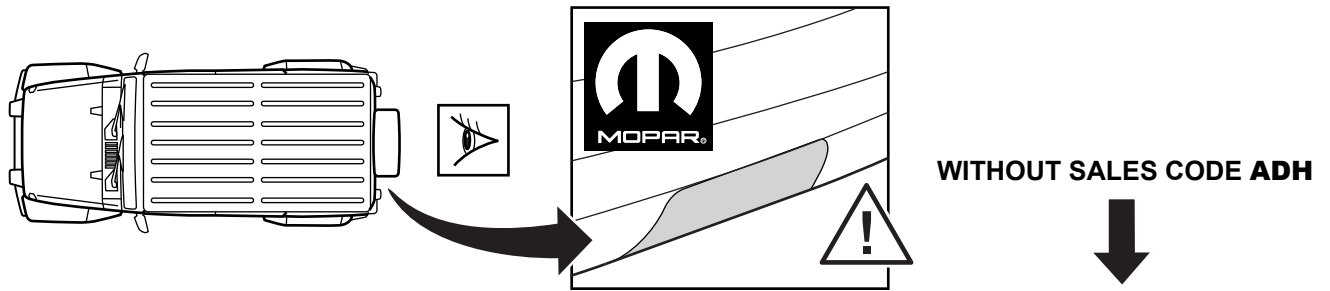
18



19



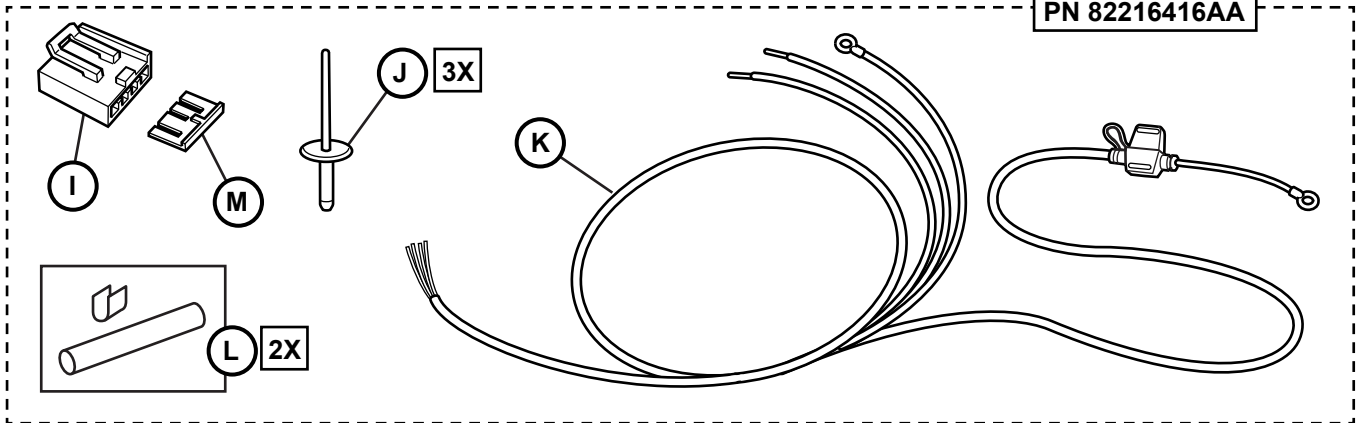
20



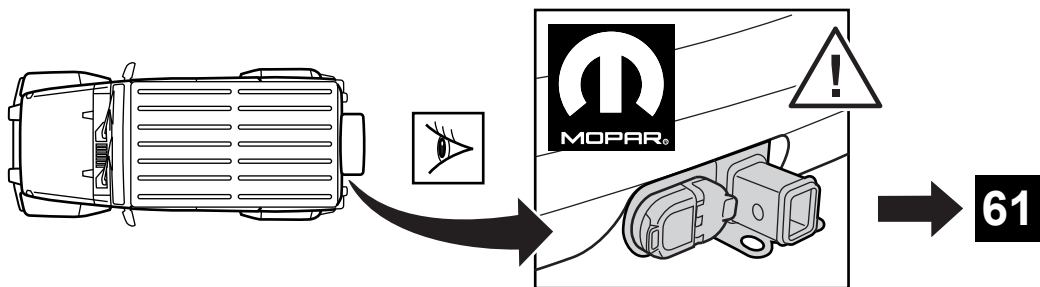
WITHOUT SALES CODE ADH



PN 82216416AA

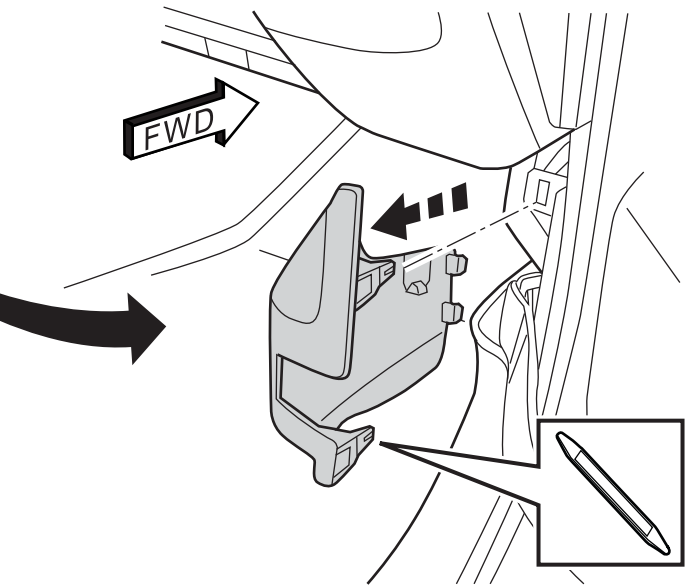
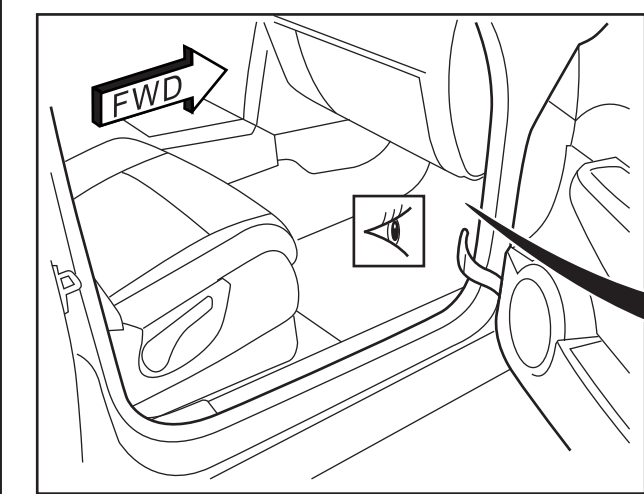
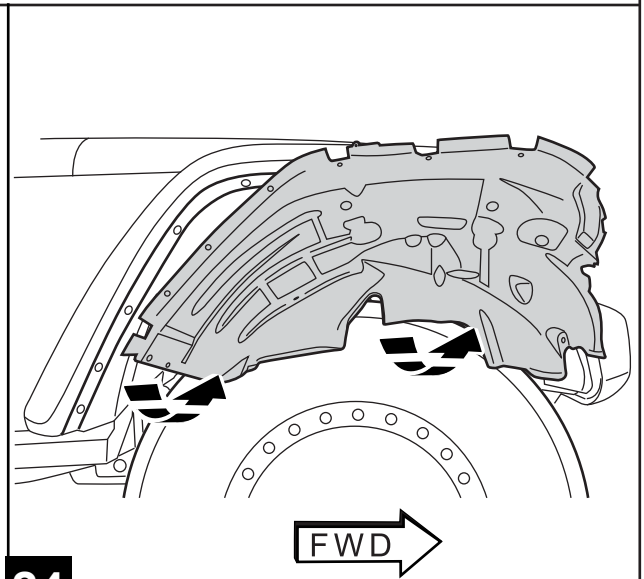
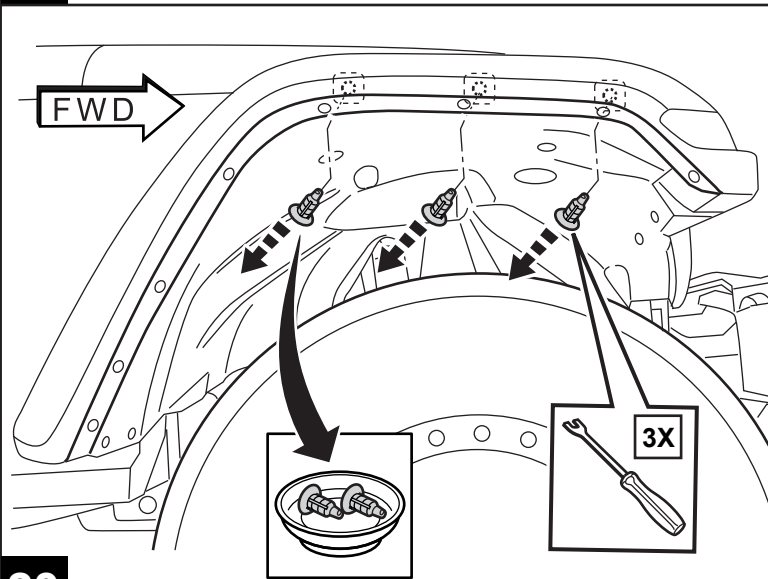
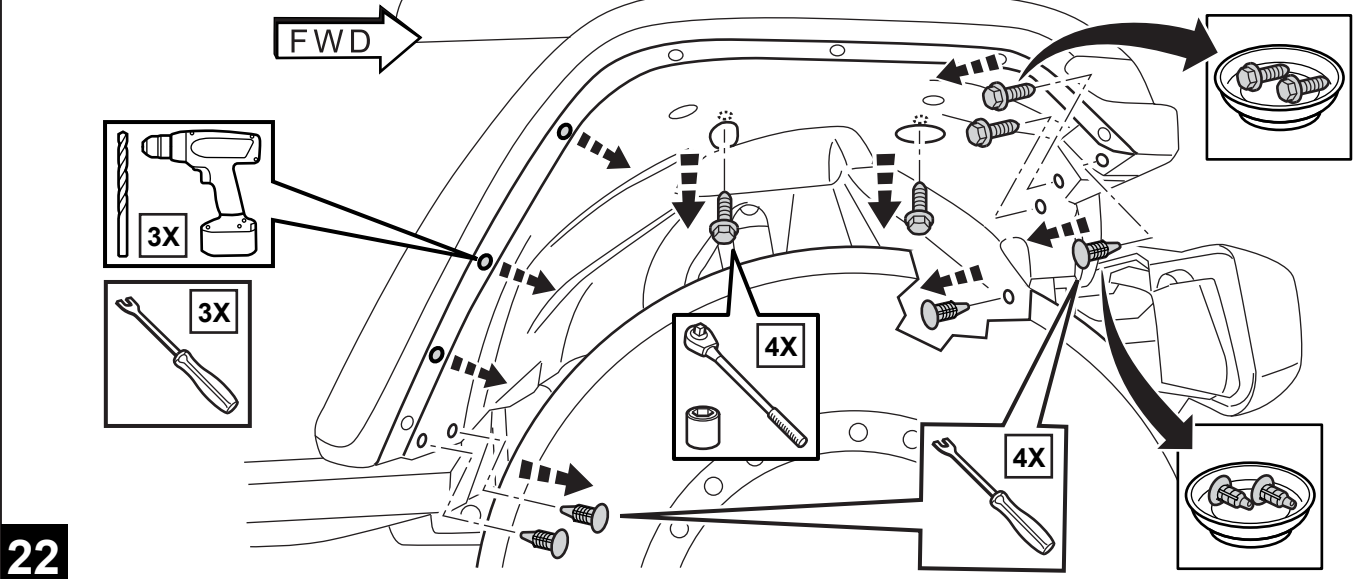


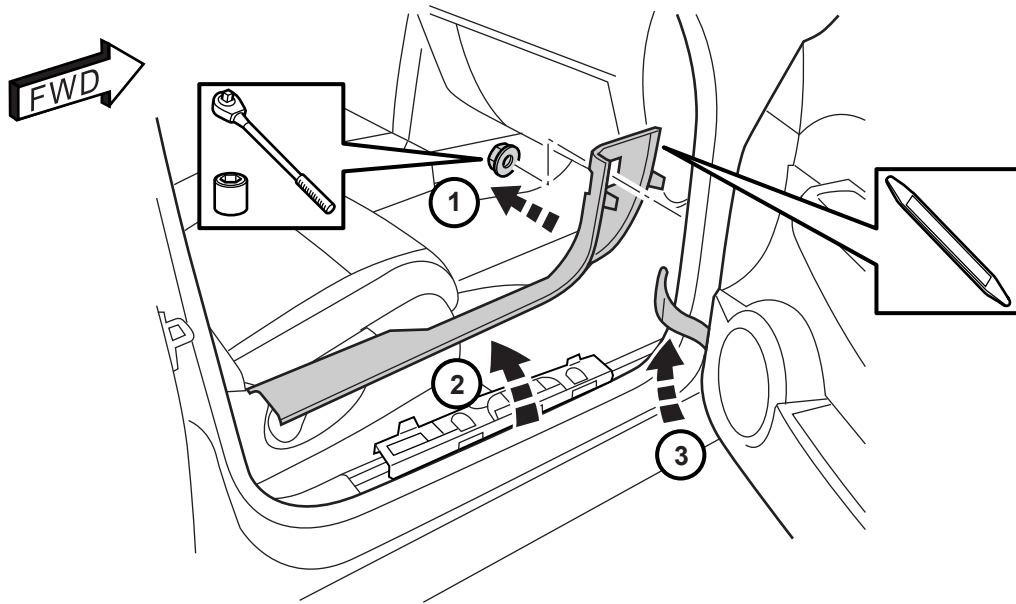
21 → 60



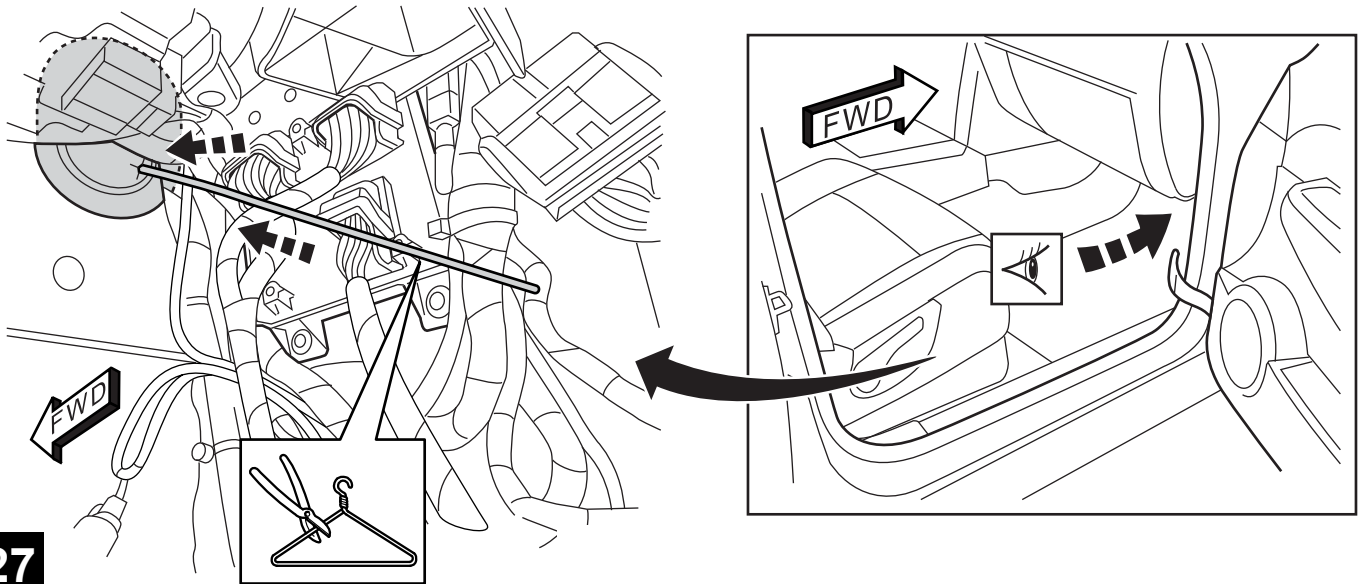
21

61

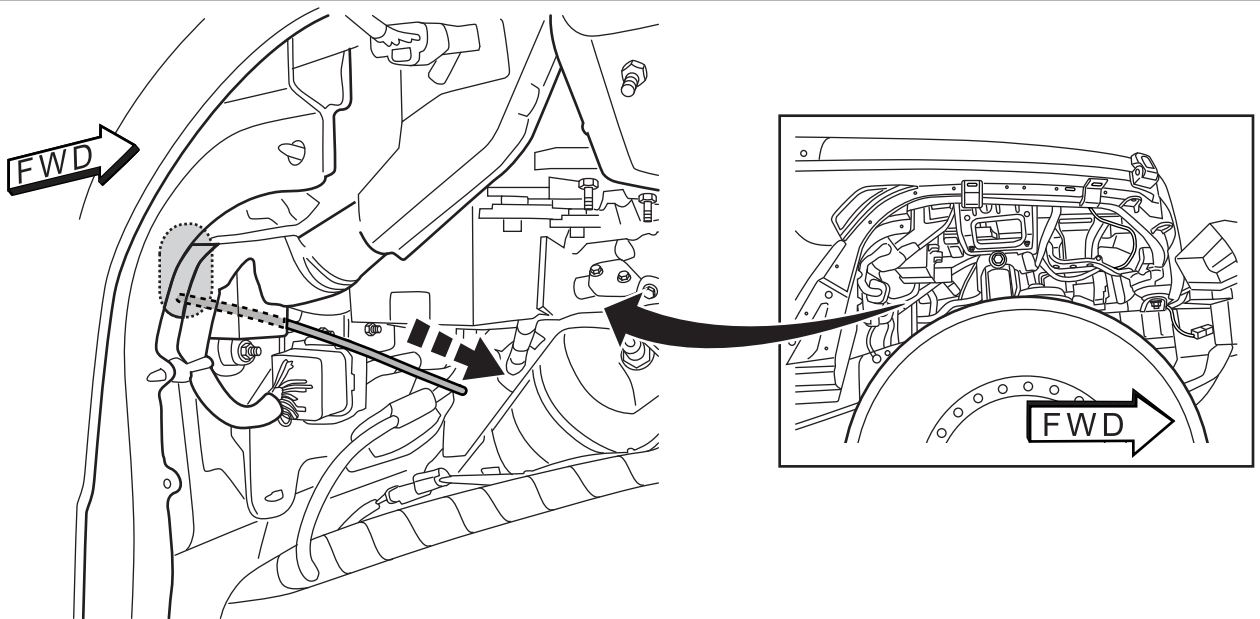




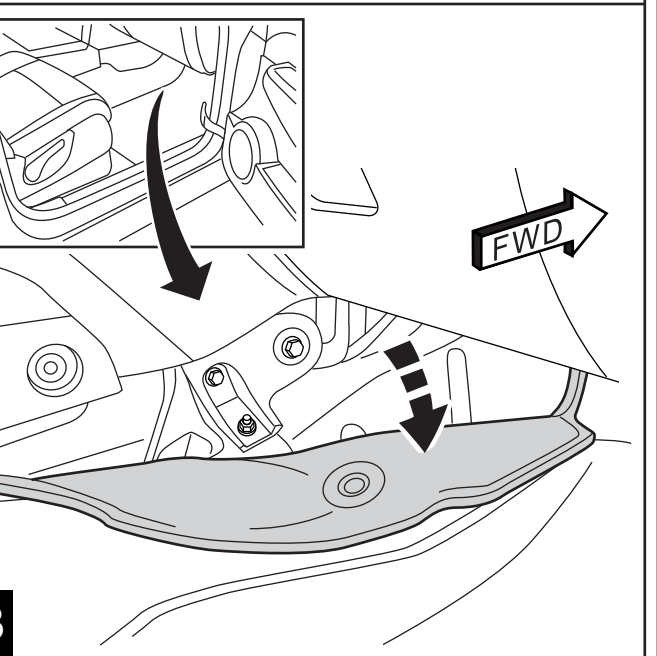
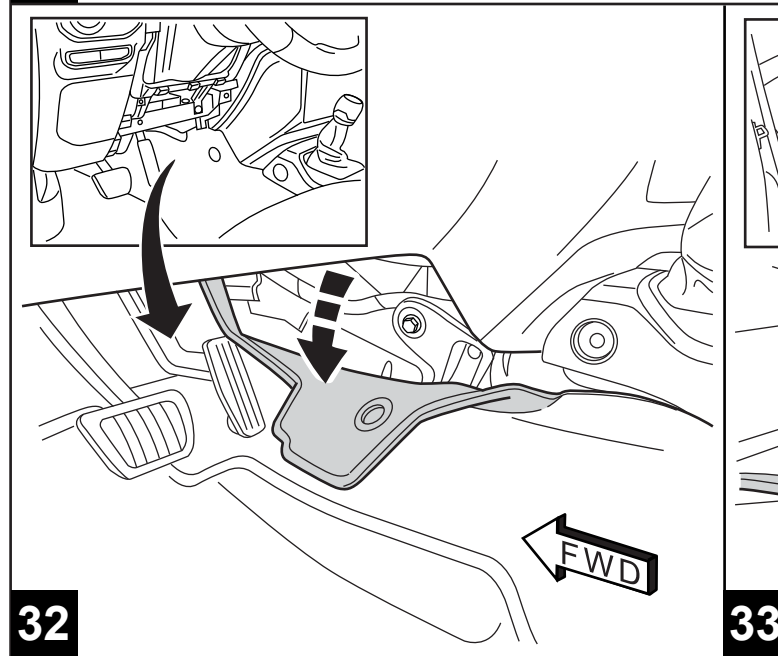
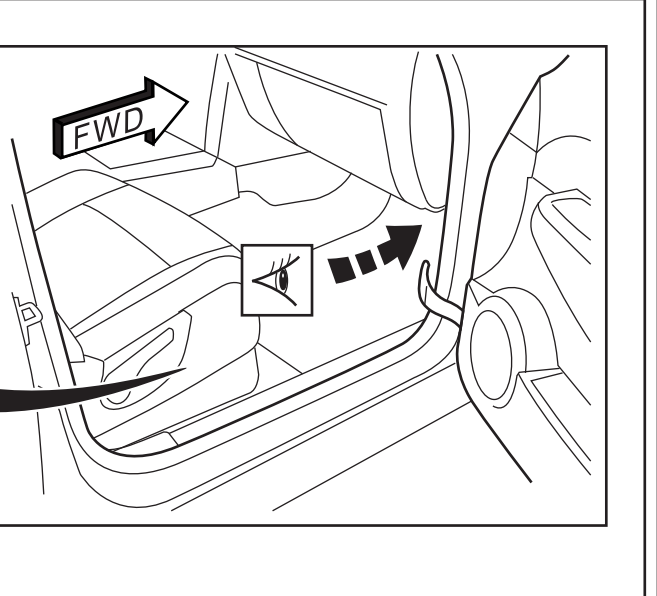
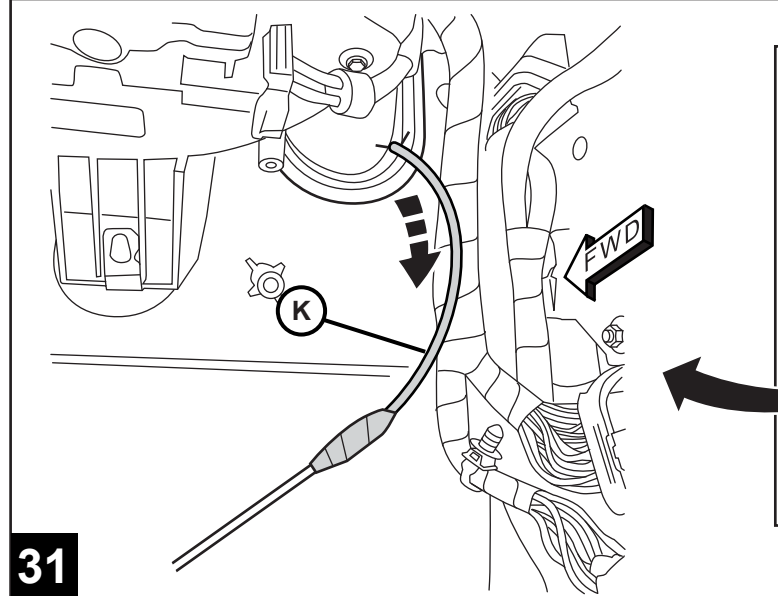
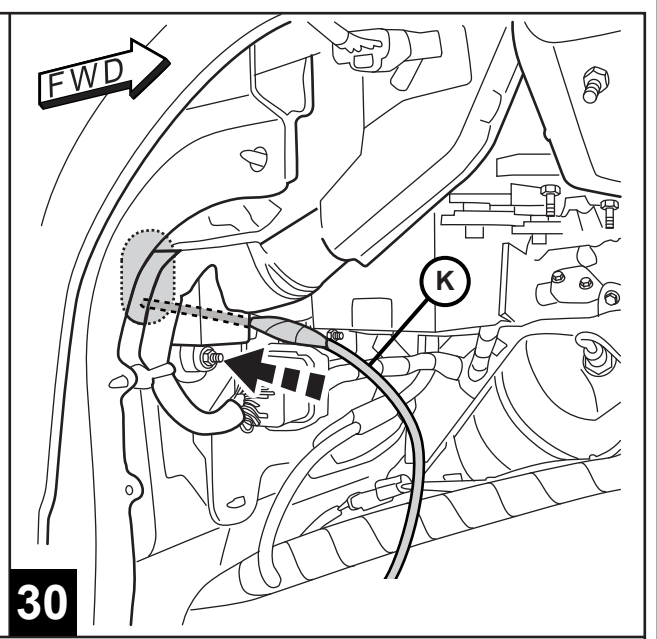
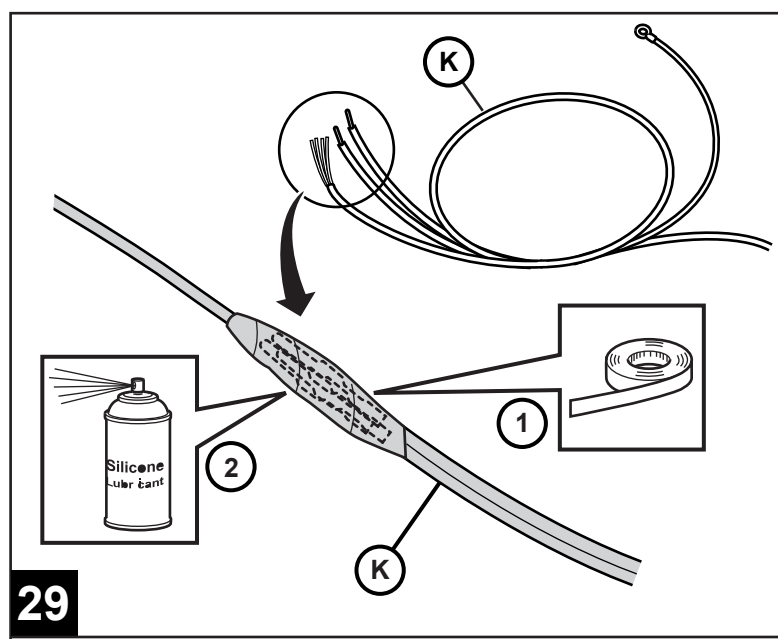
26

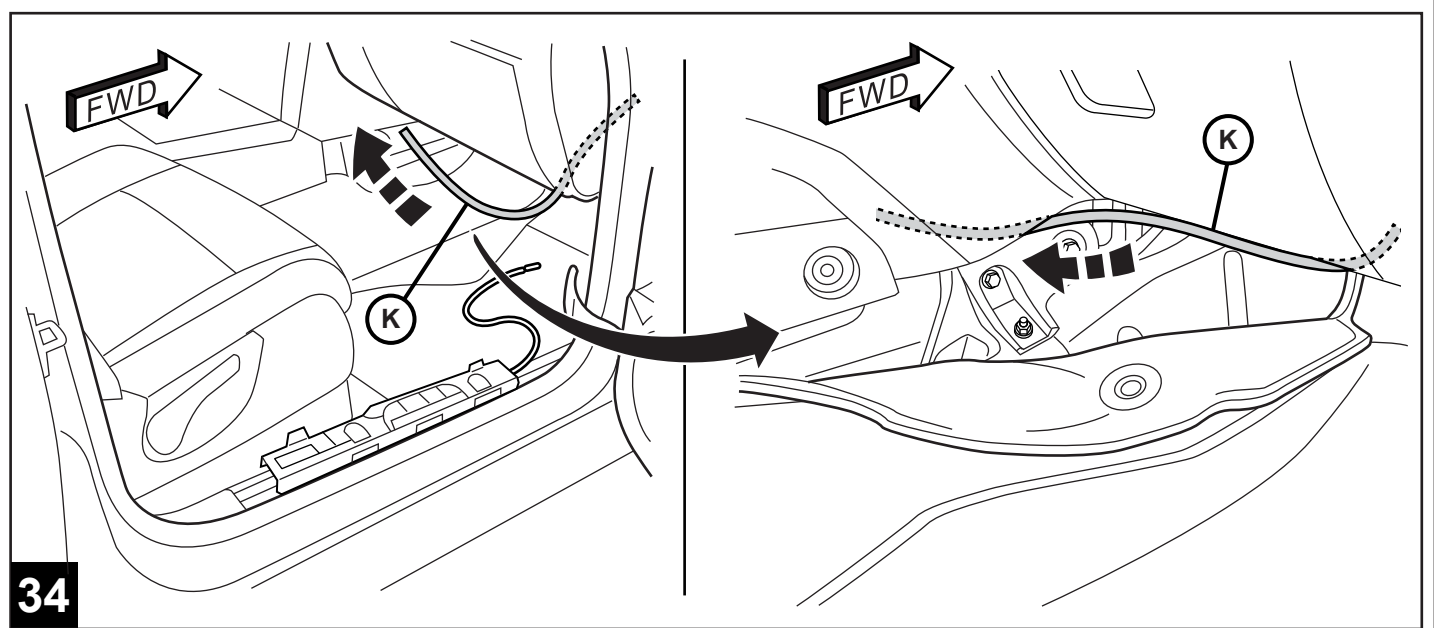


27

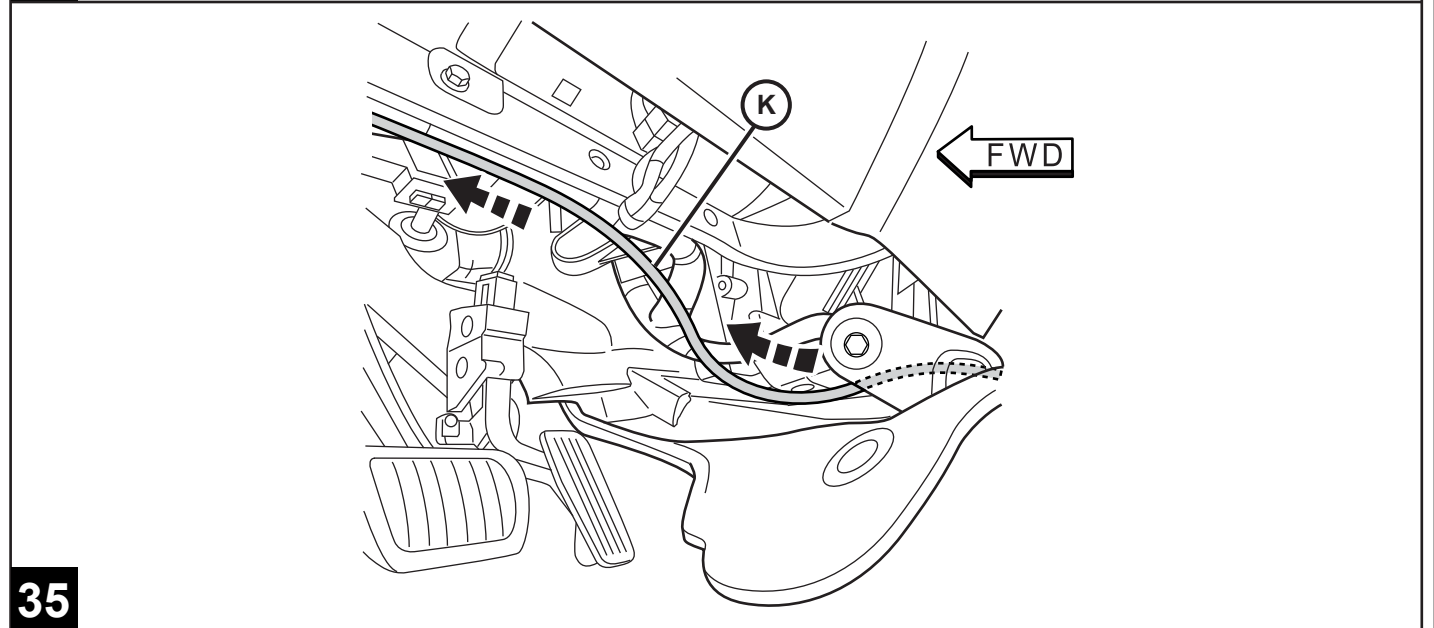


28

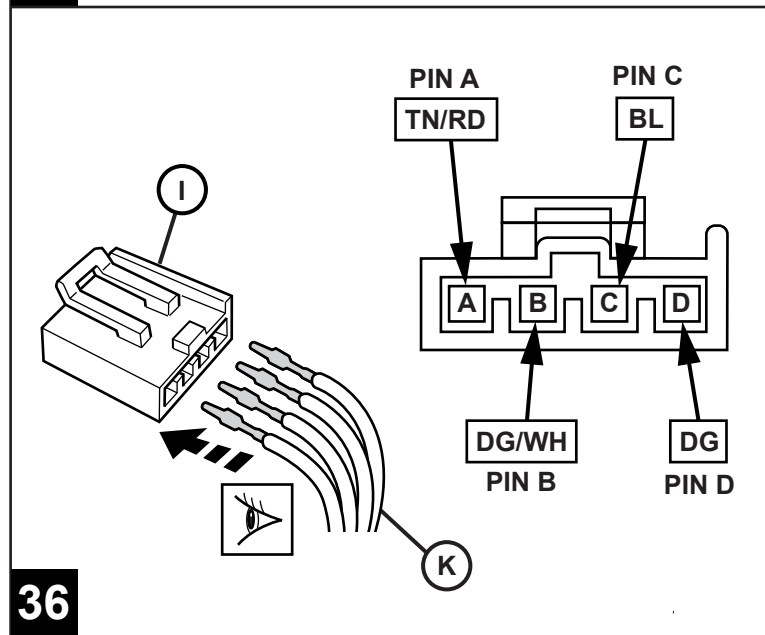




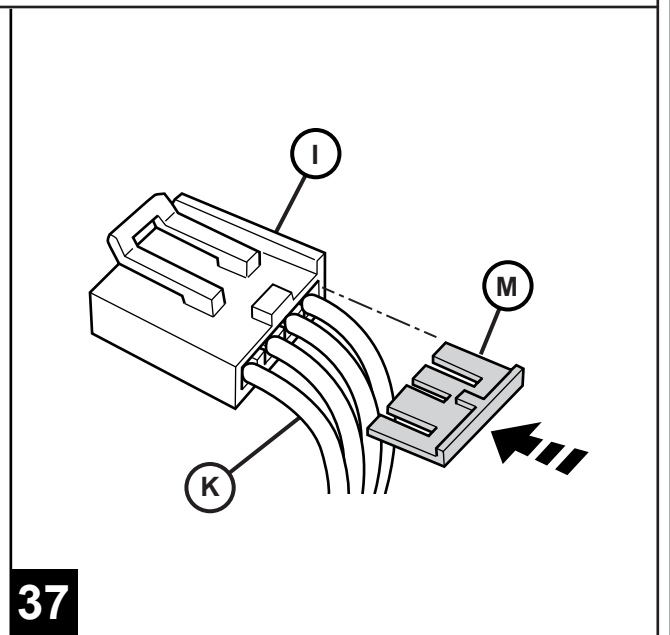
34



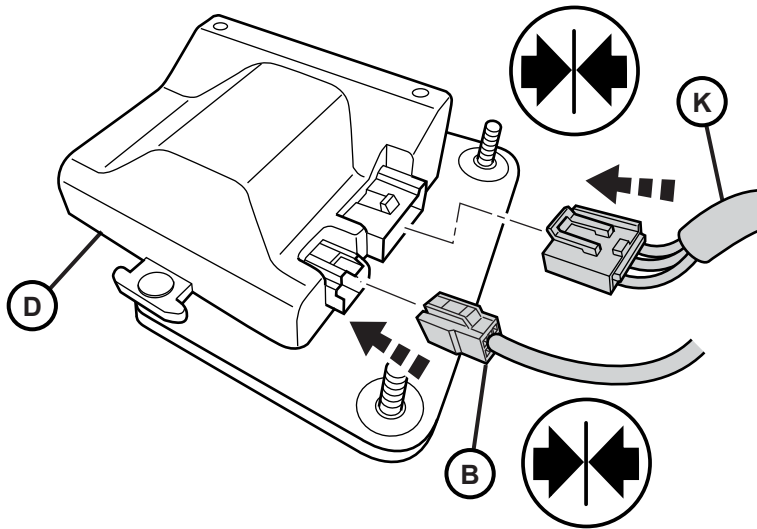
35



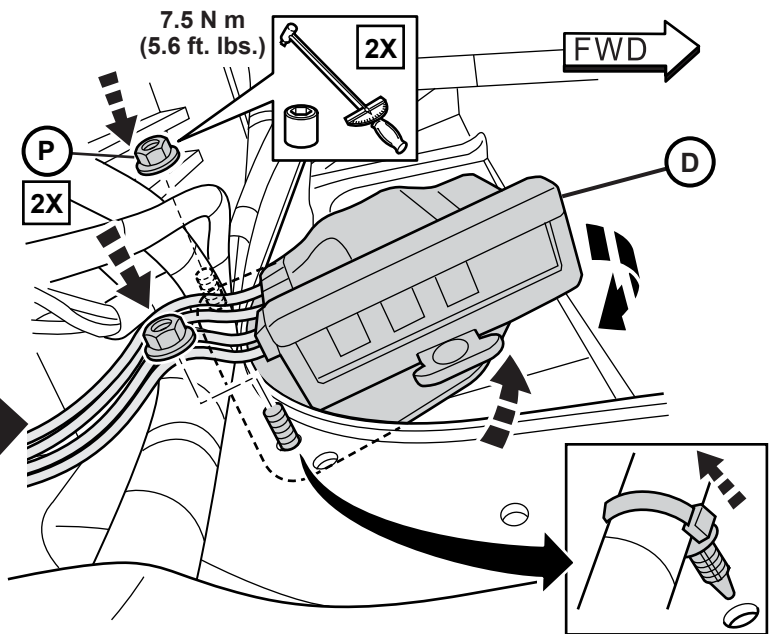
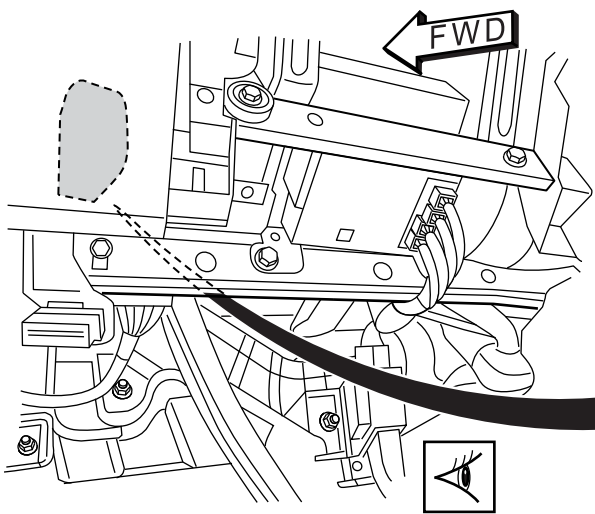
36



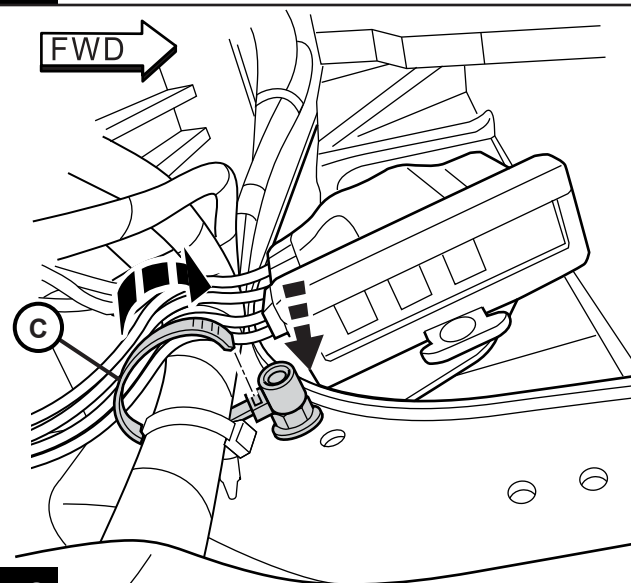
37



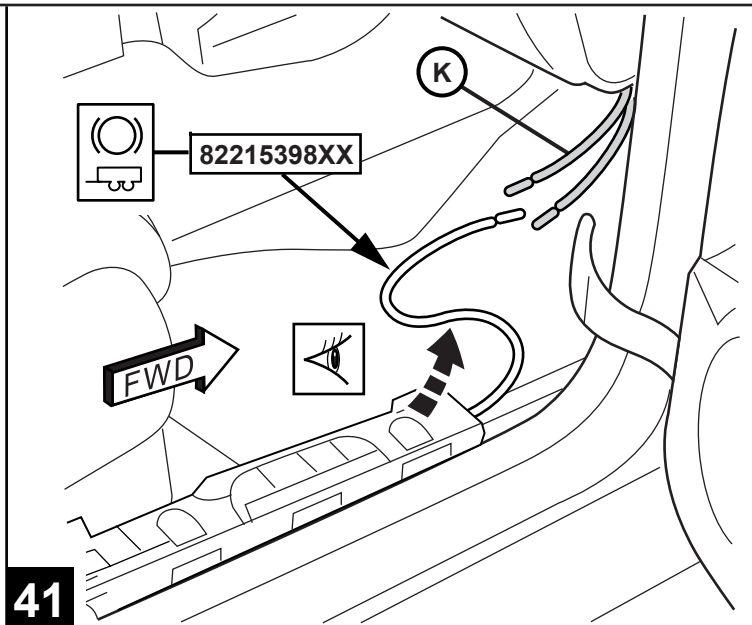
38



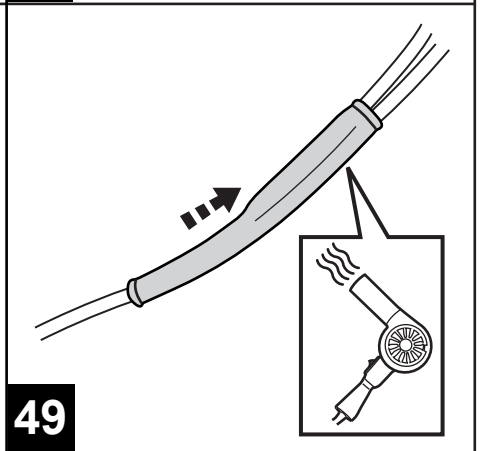
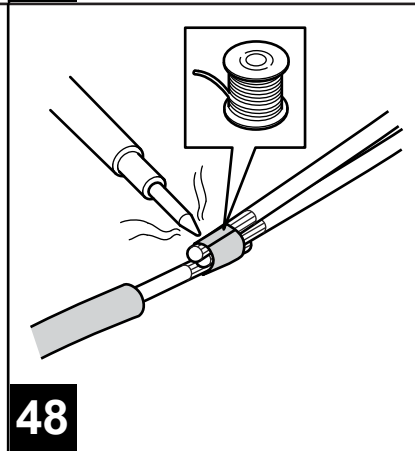
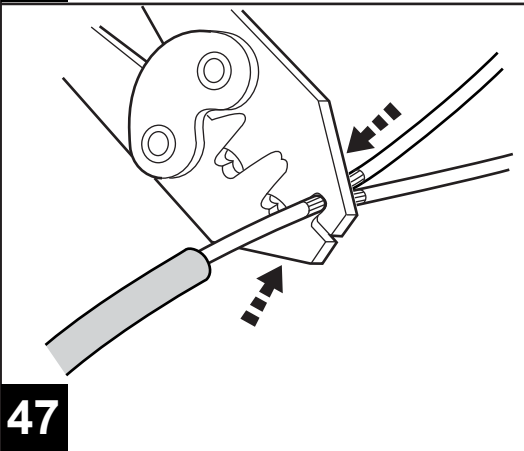
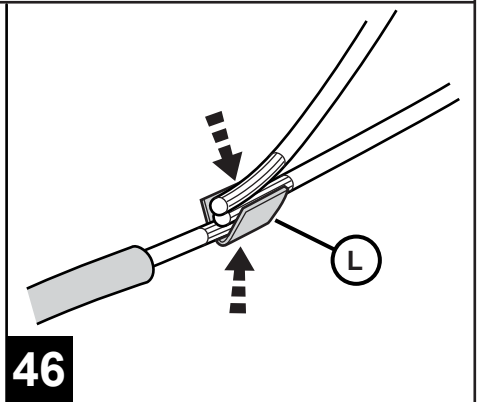
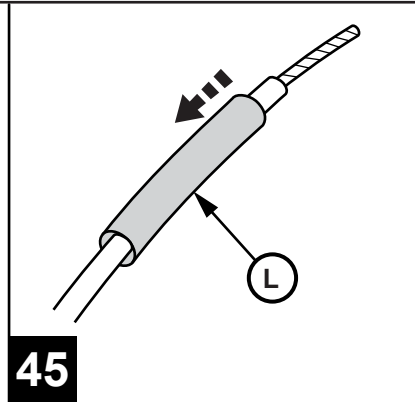
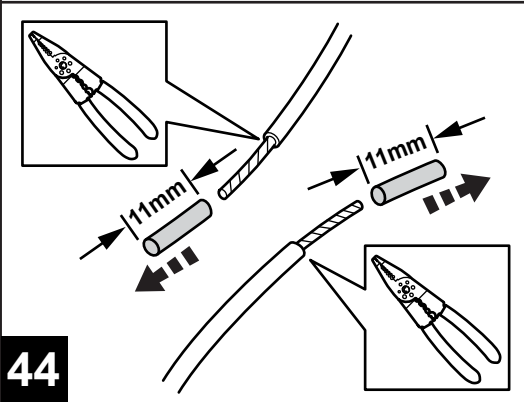
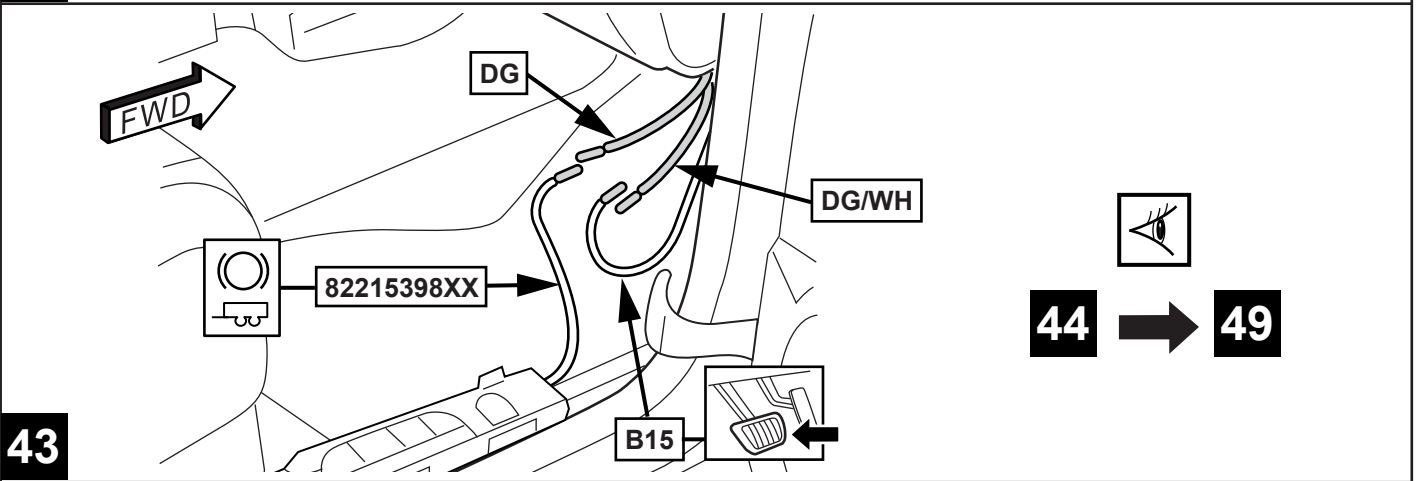
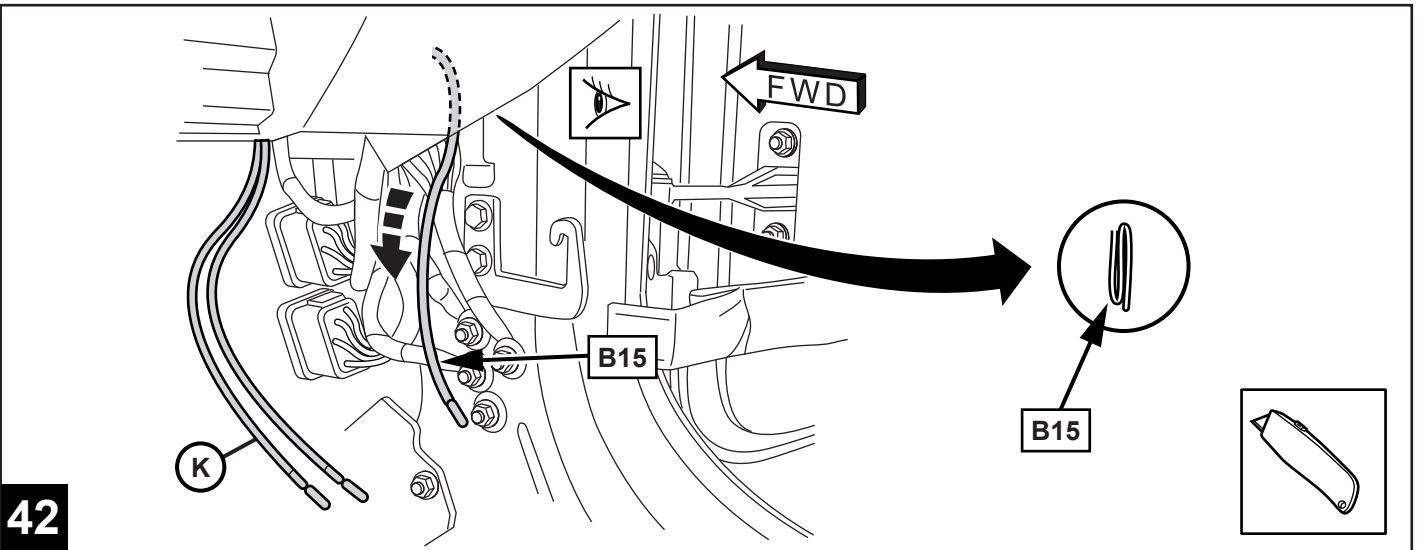
39

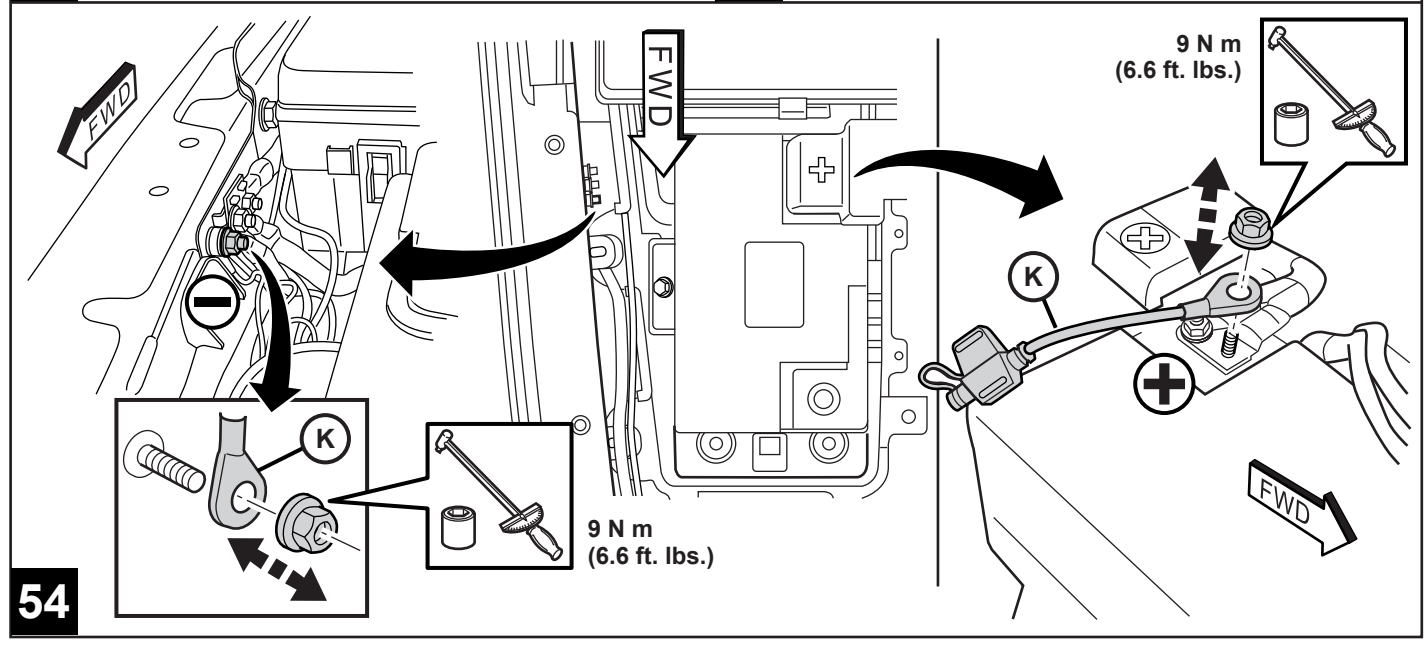
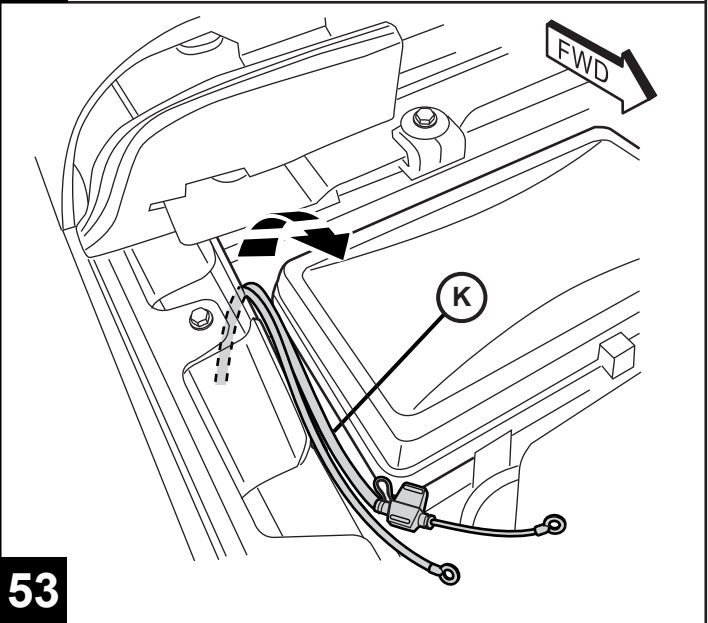
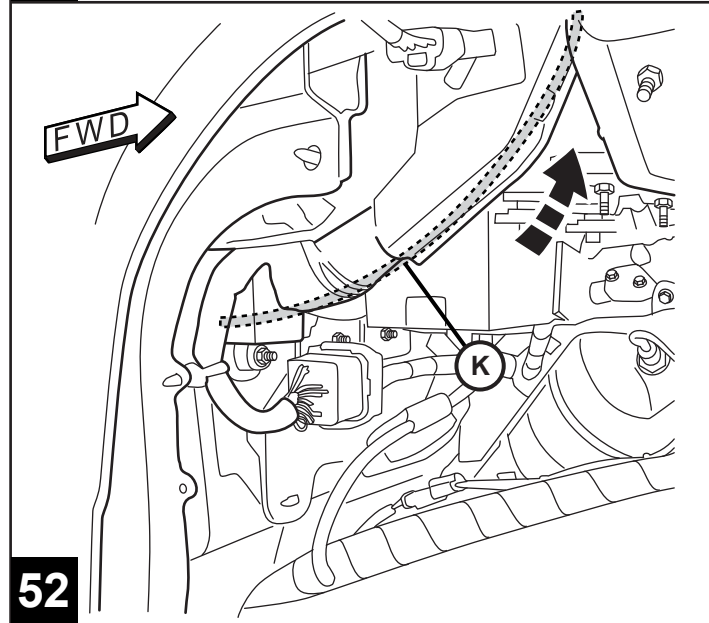
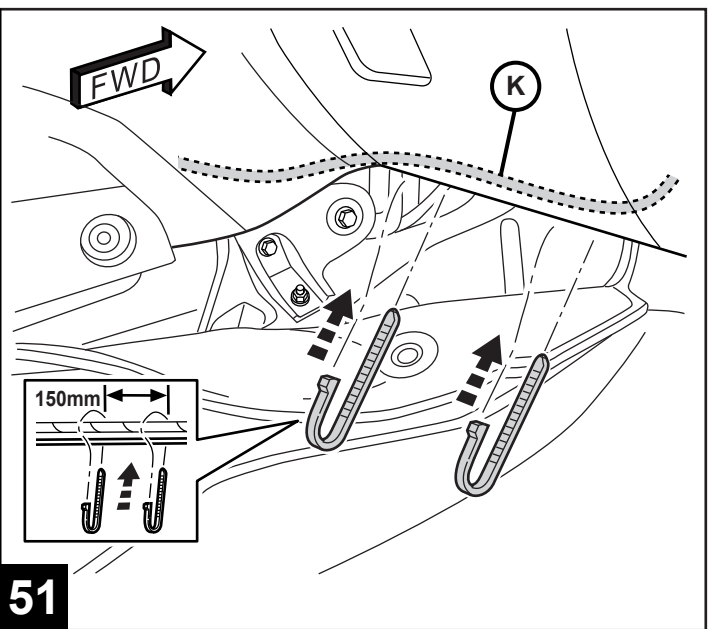
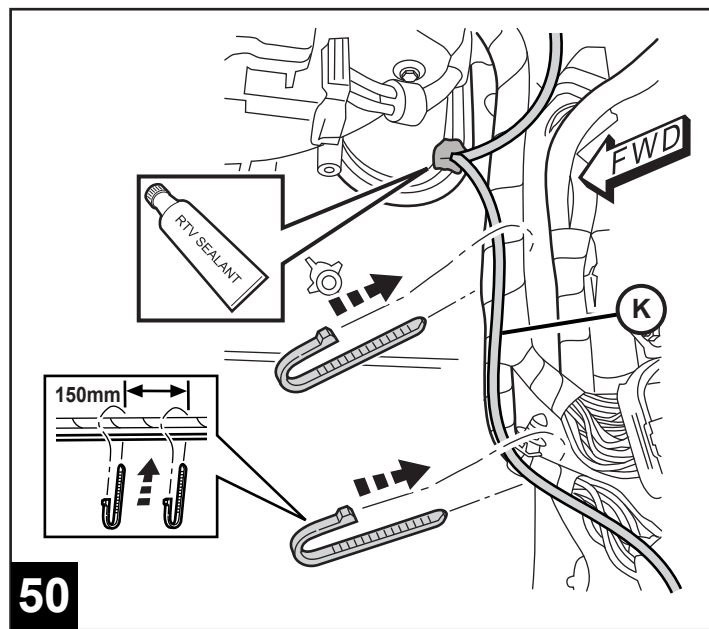


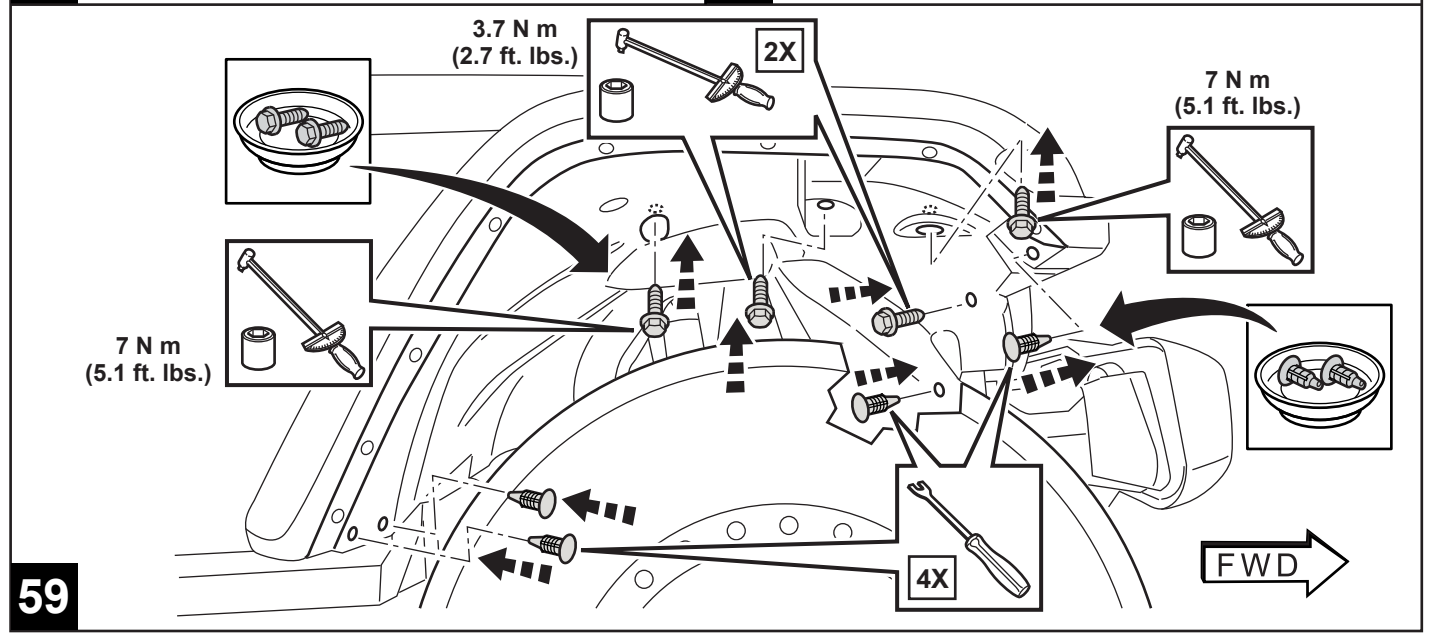
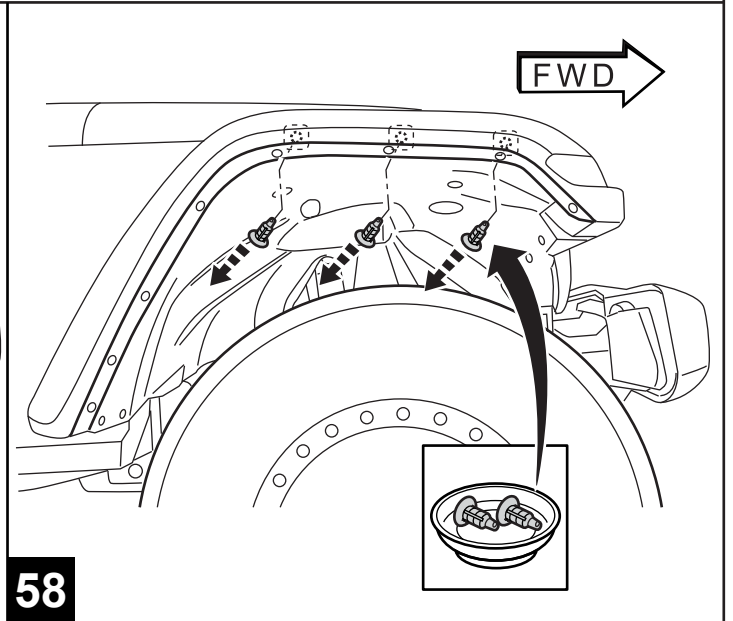
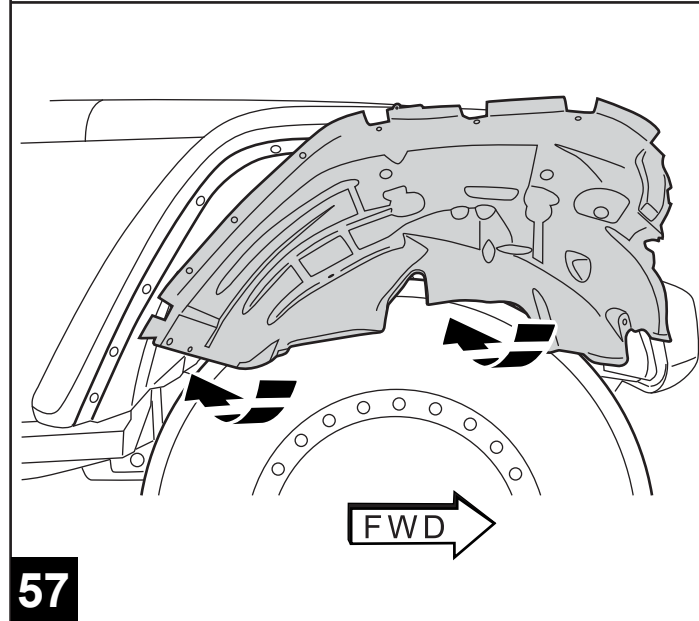
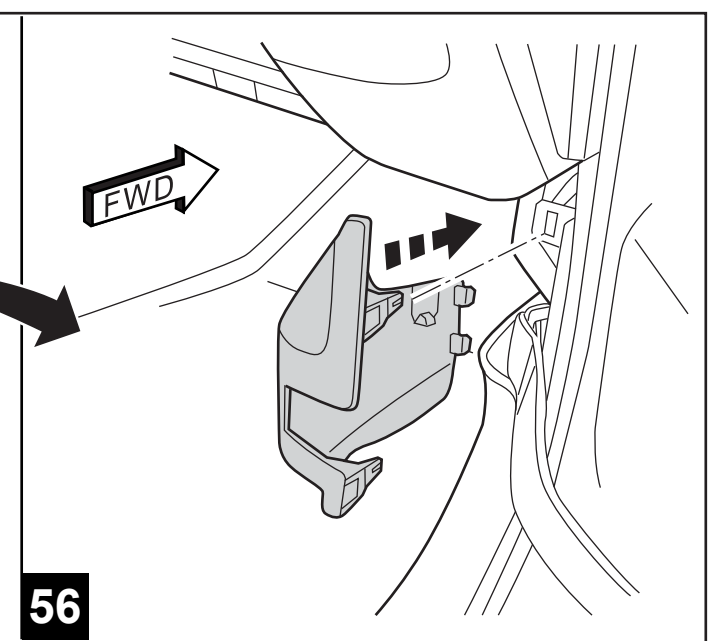
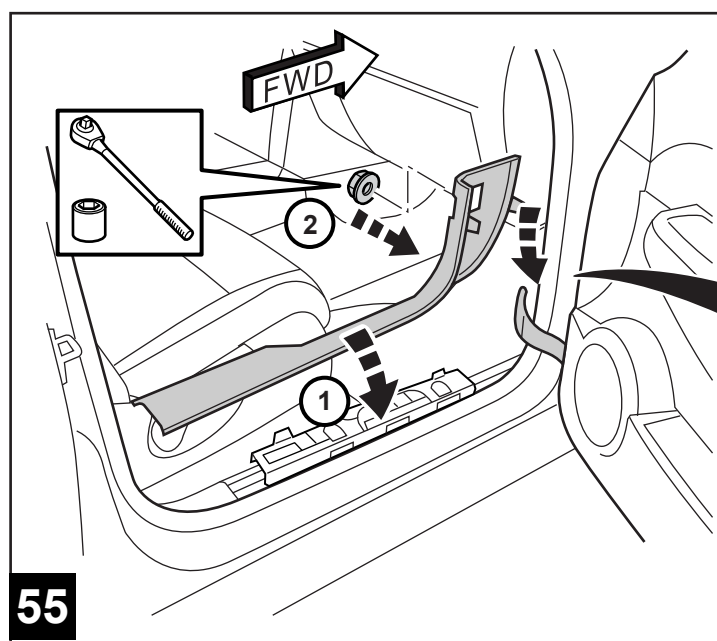
40



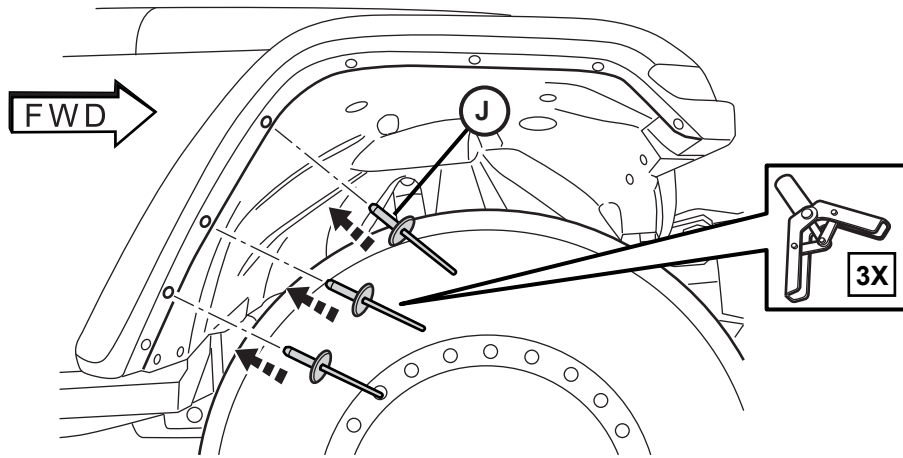
41



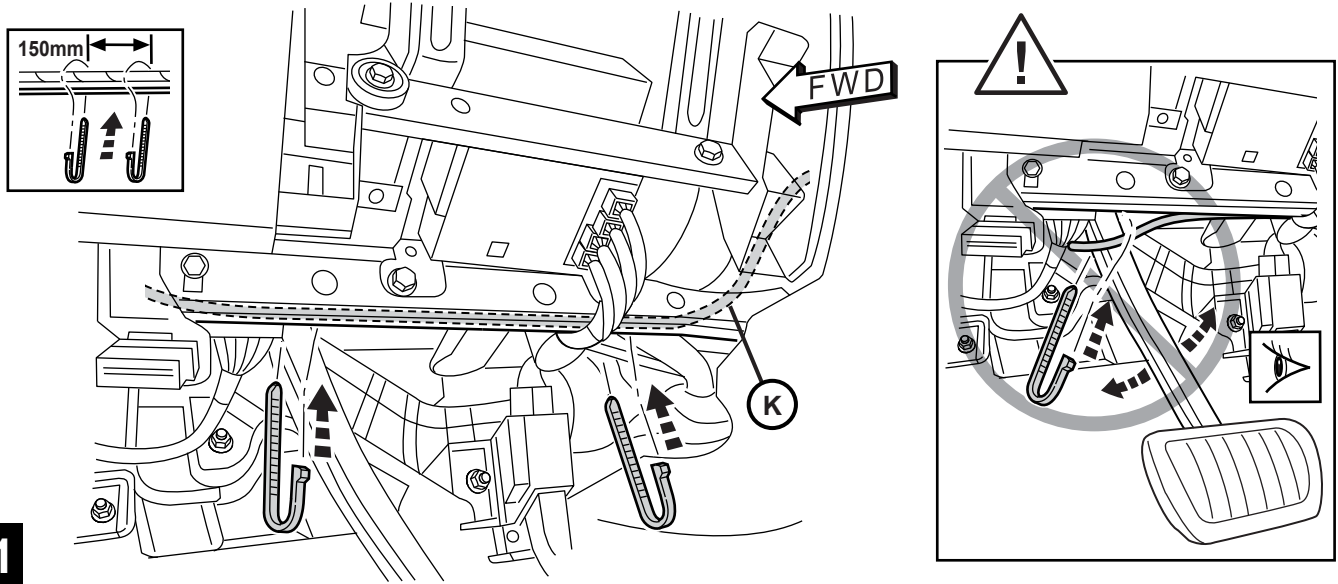




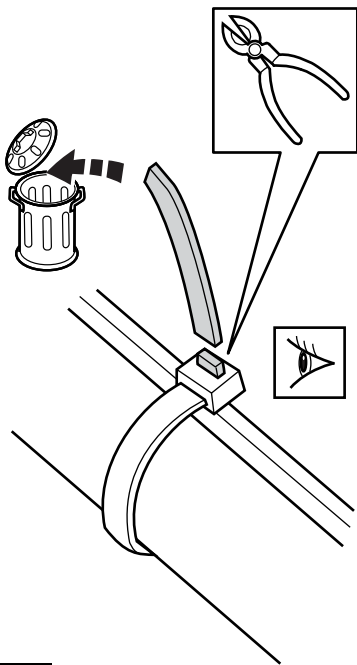
60



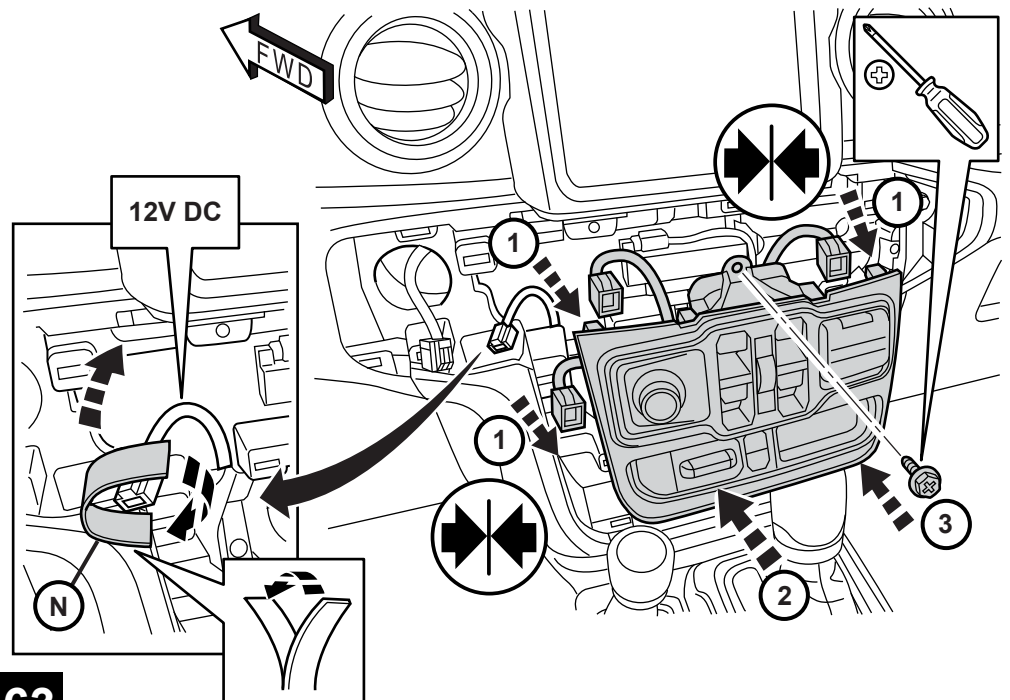
61

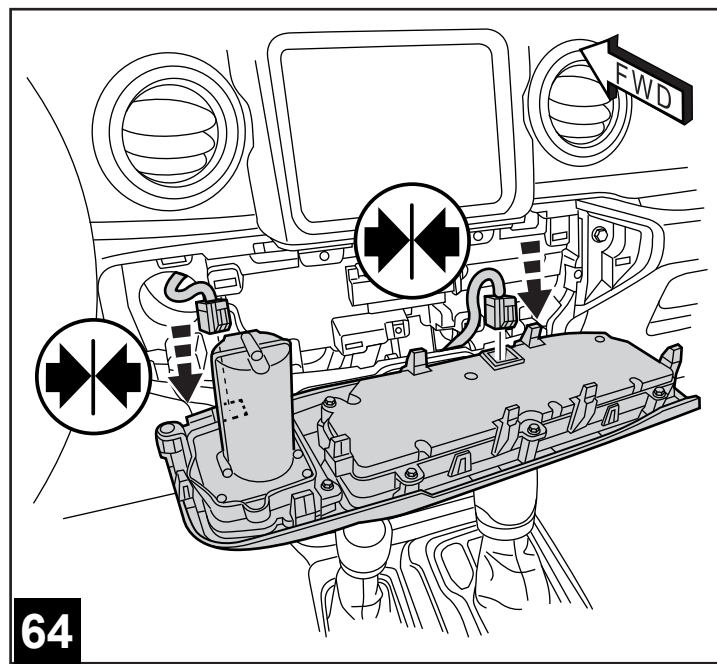


62

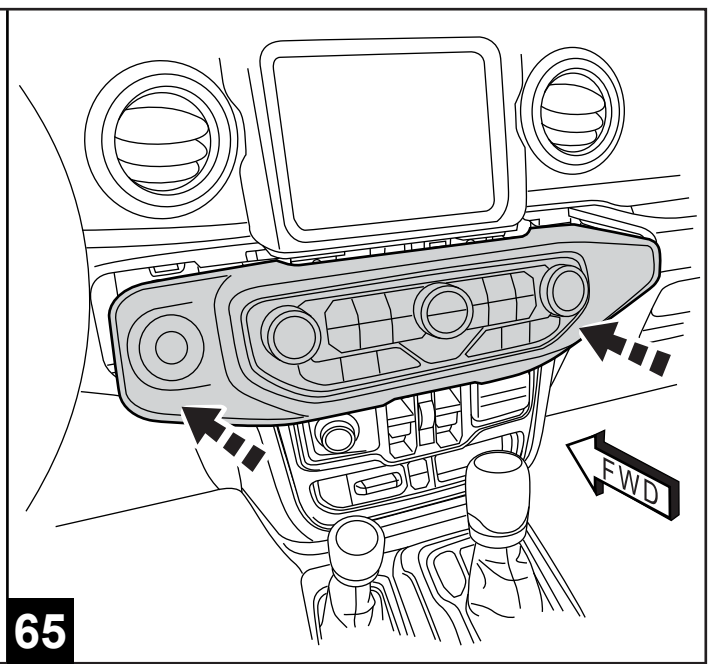


63

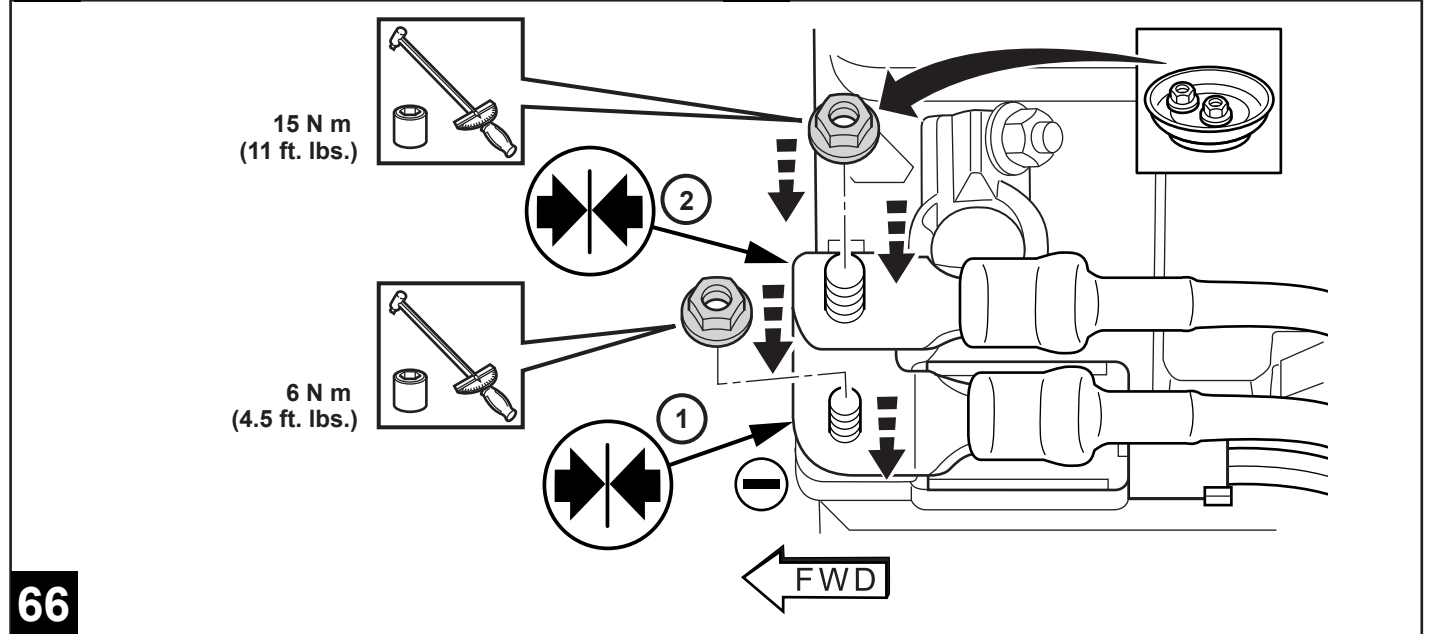




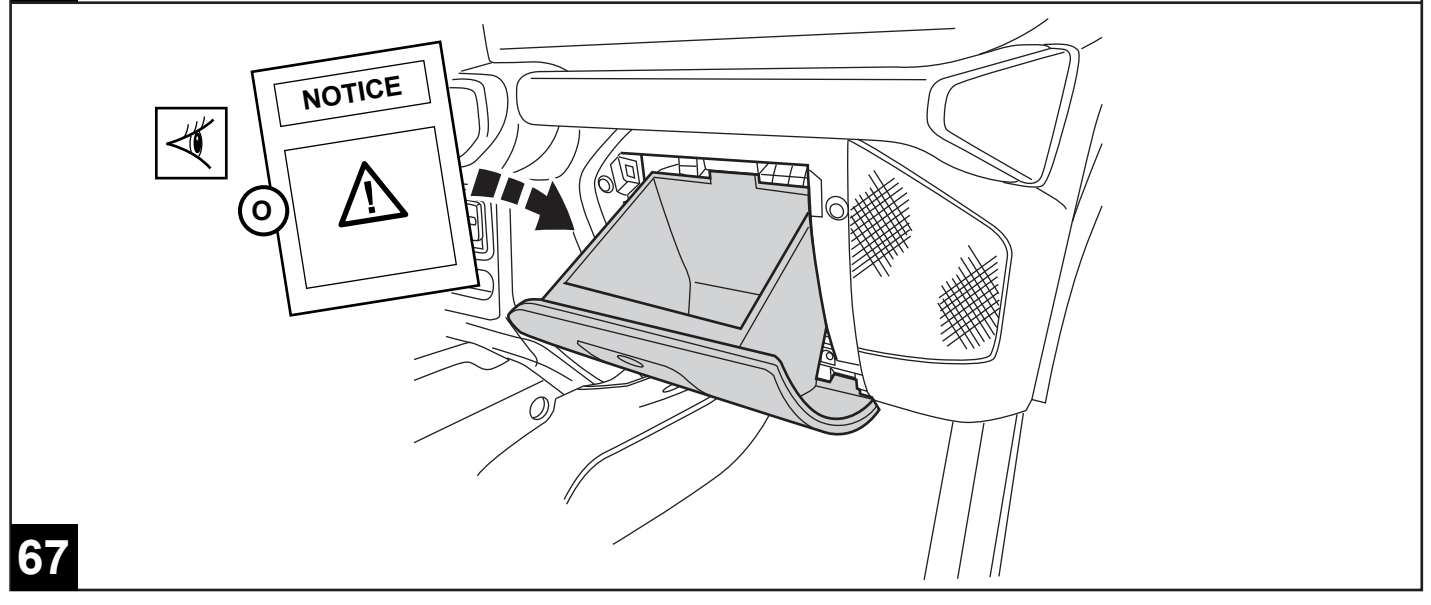
64



65



66



67