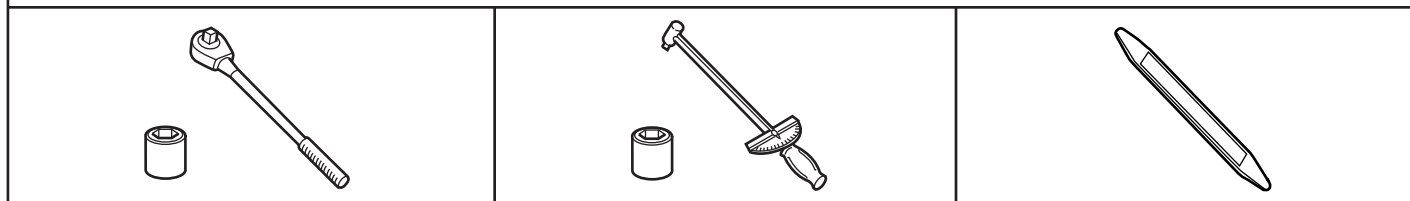
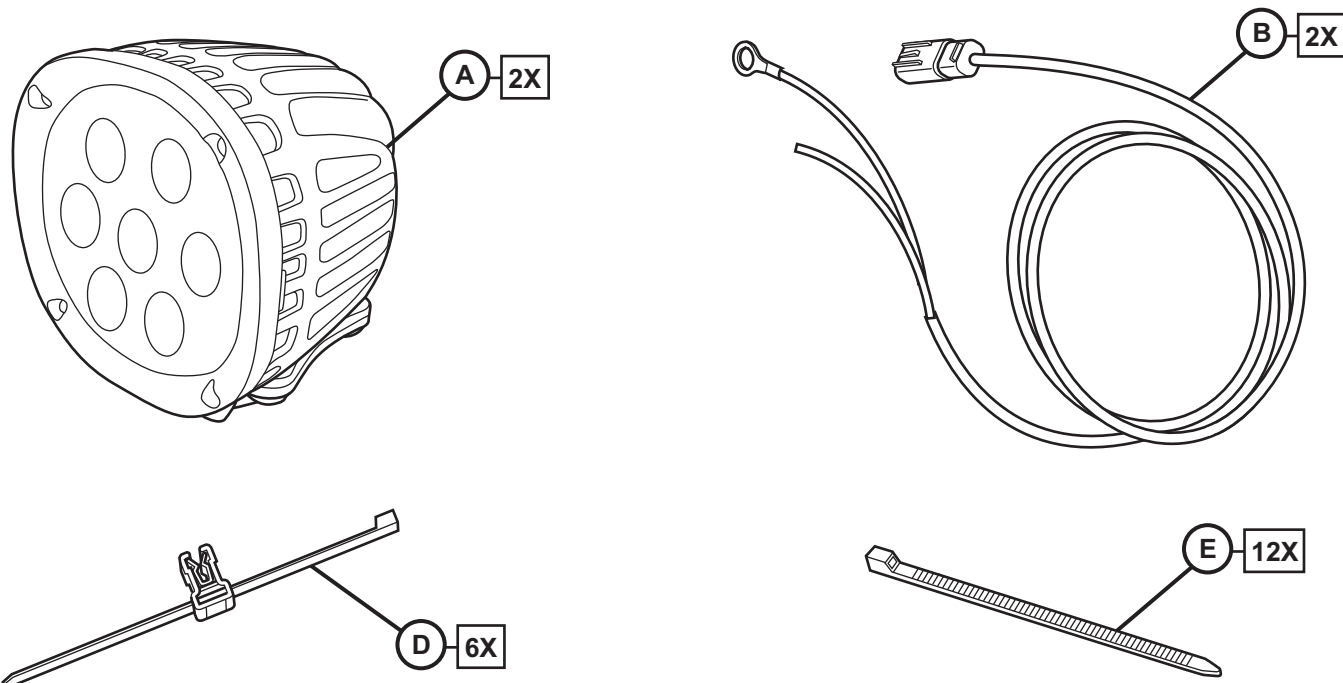




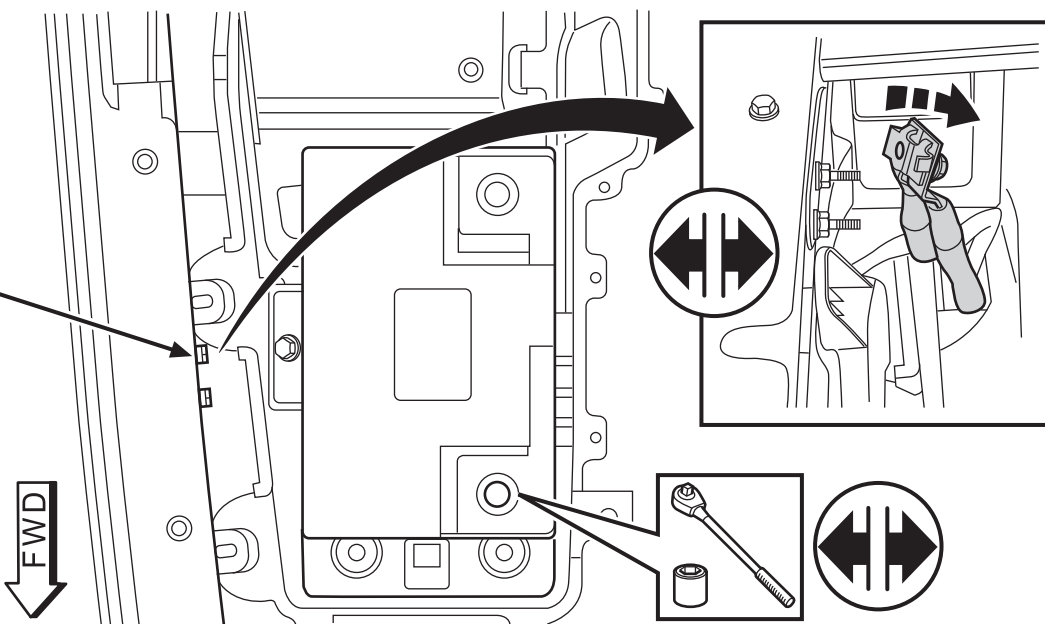
FRONT BUMPER OFF ROAD LAMPS JEEP WRANGLER

www.mopar.com

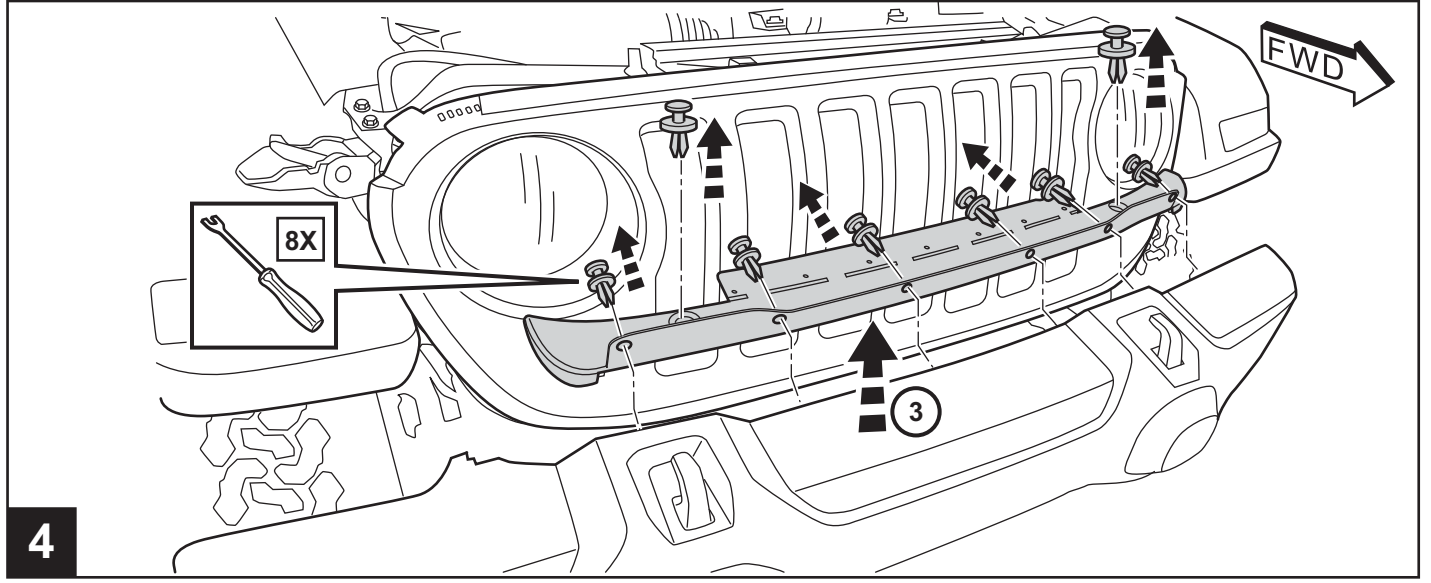
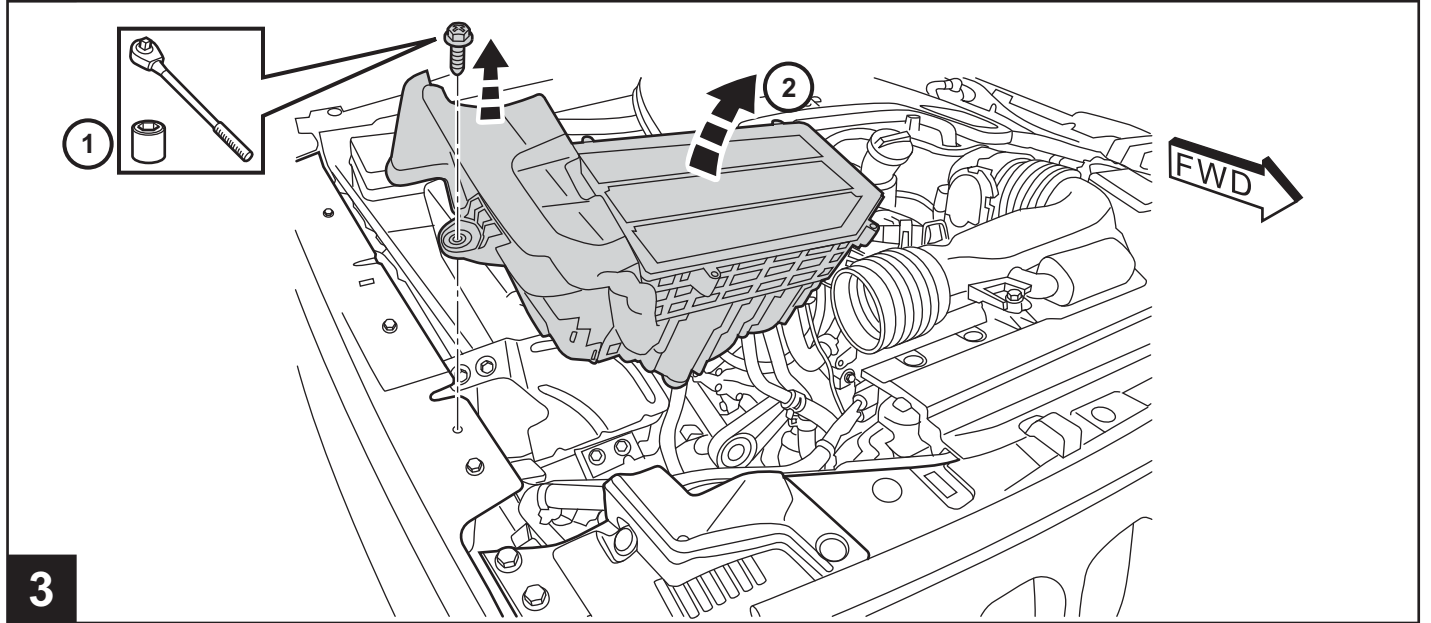
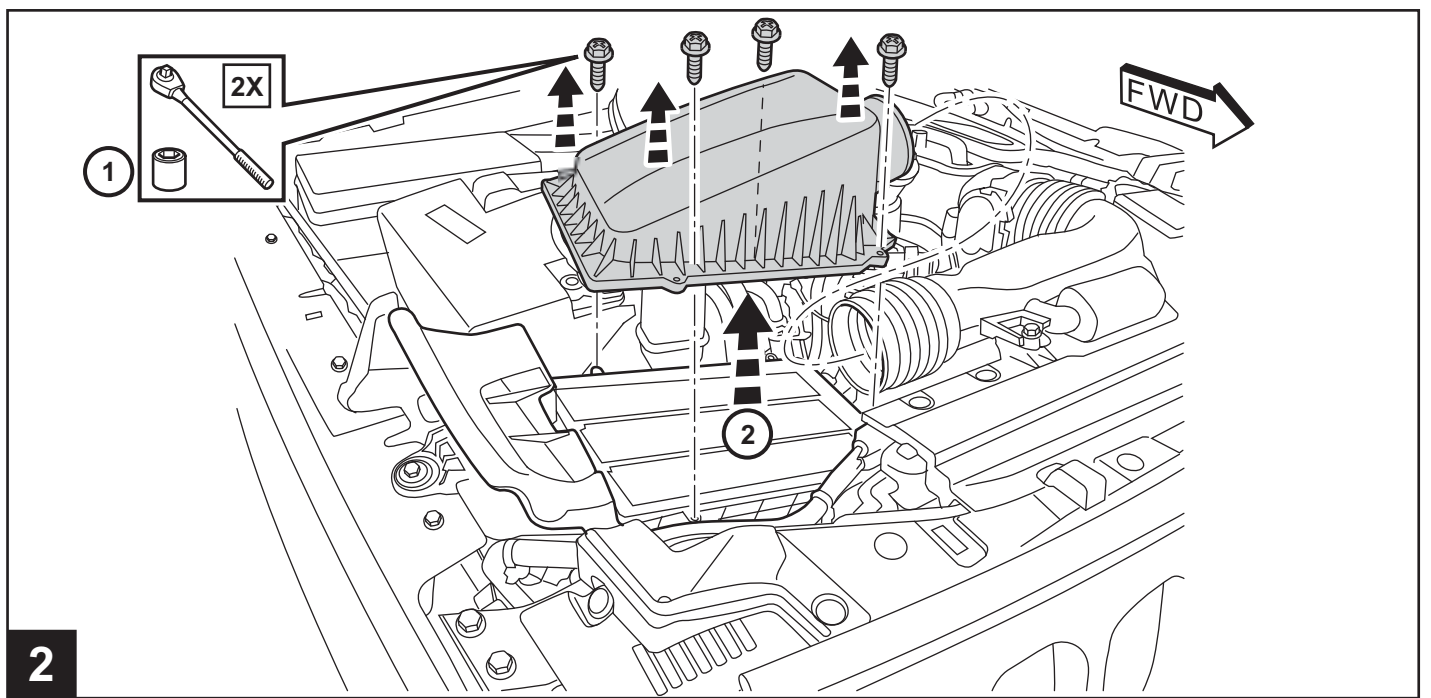


OPEN HOOD

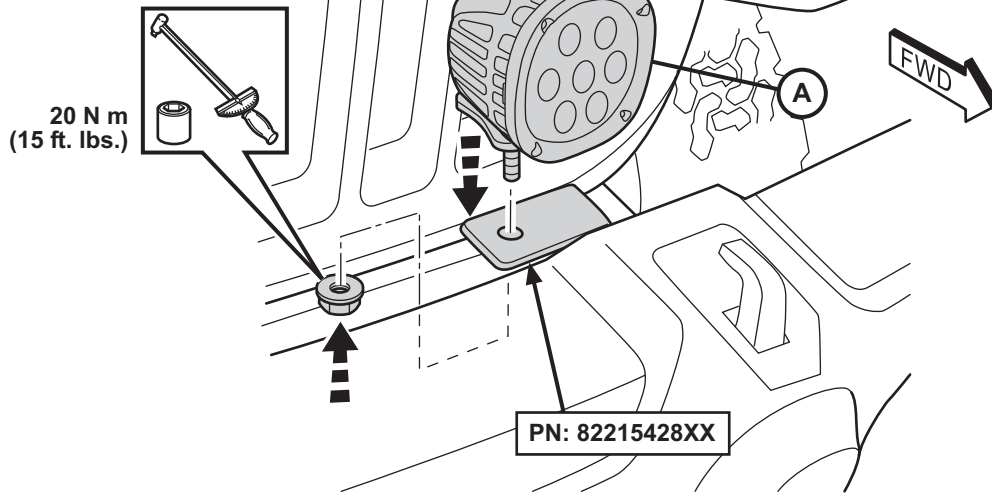
**NOTE: DISCONNECT
AUXILIARY BATTERY
IF PRESENT**



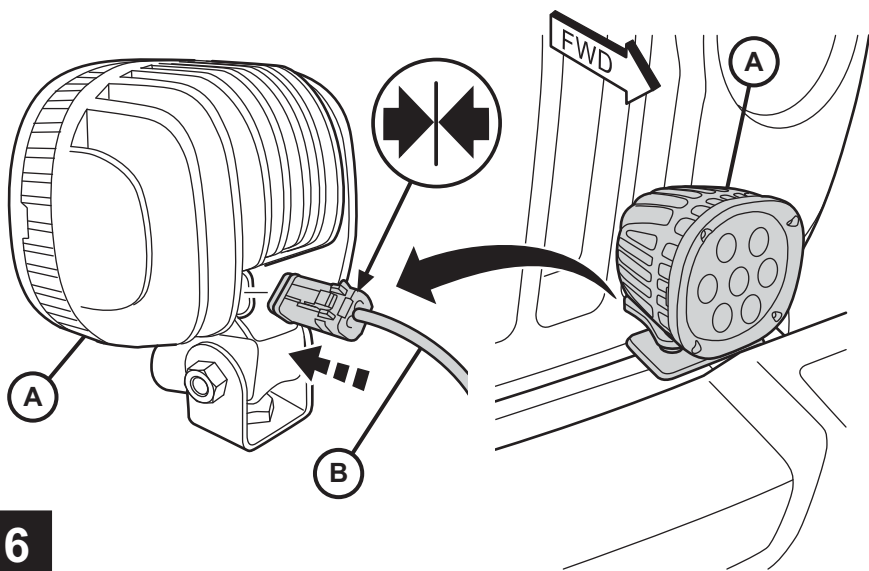
1



OPTION 1



5

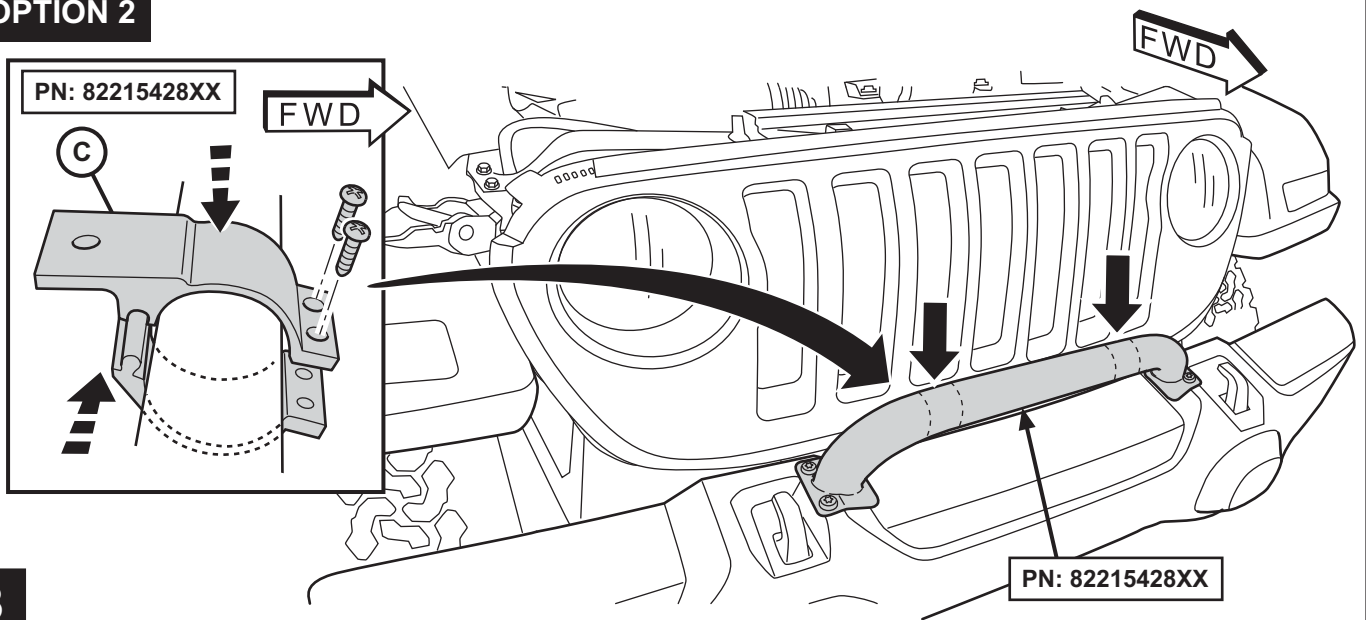


6

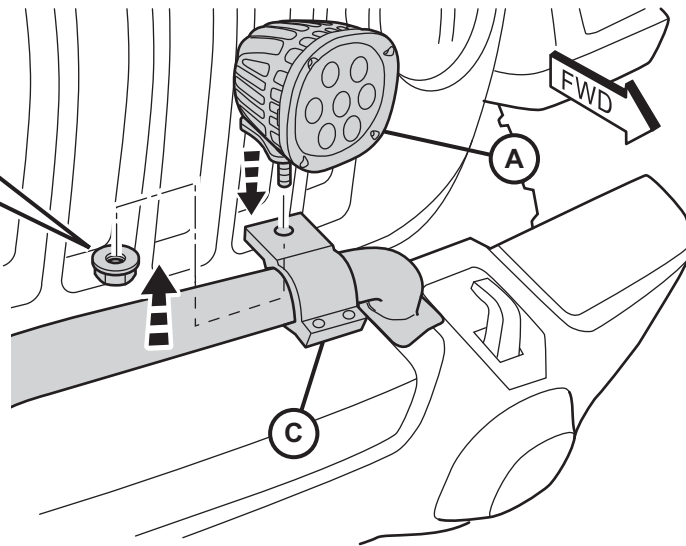
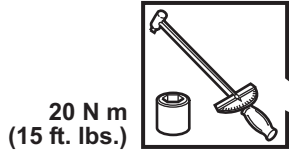
**REPEAT STEPS 18 THROUGH 20
ON OPPOSITE SIDE OF VEHICLE**

7

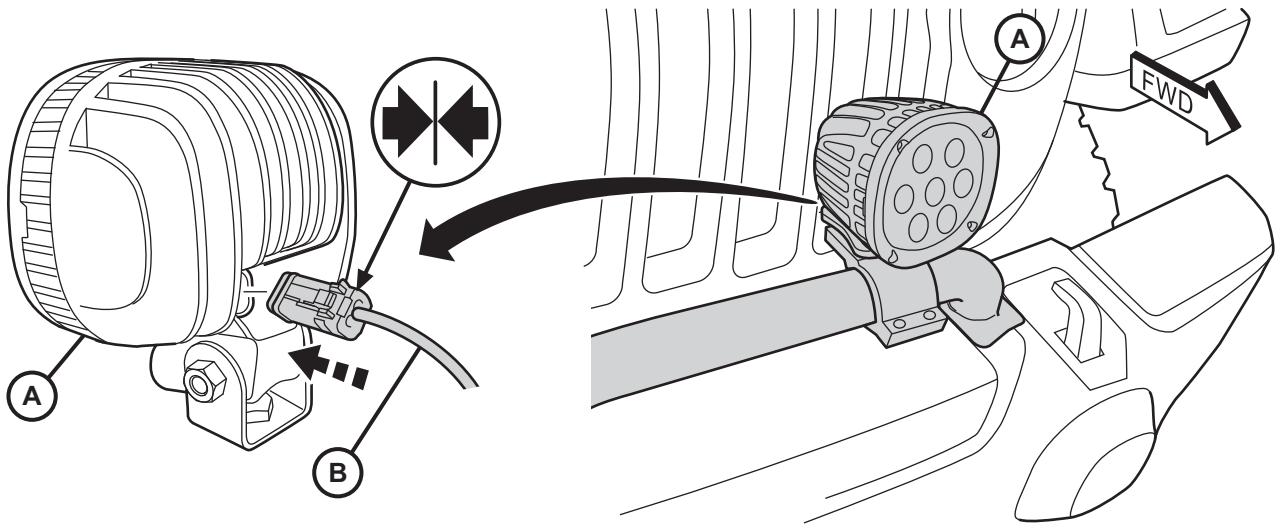
OPTION 2



8



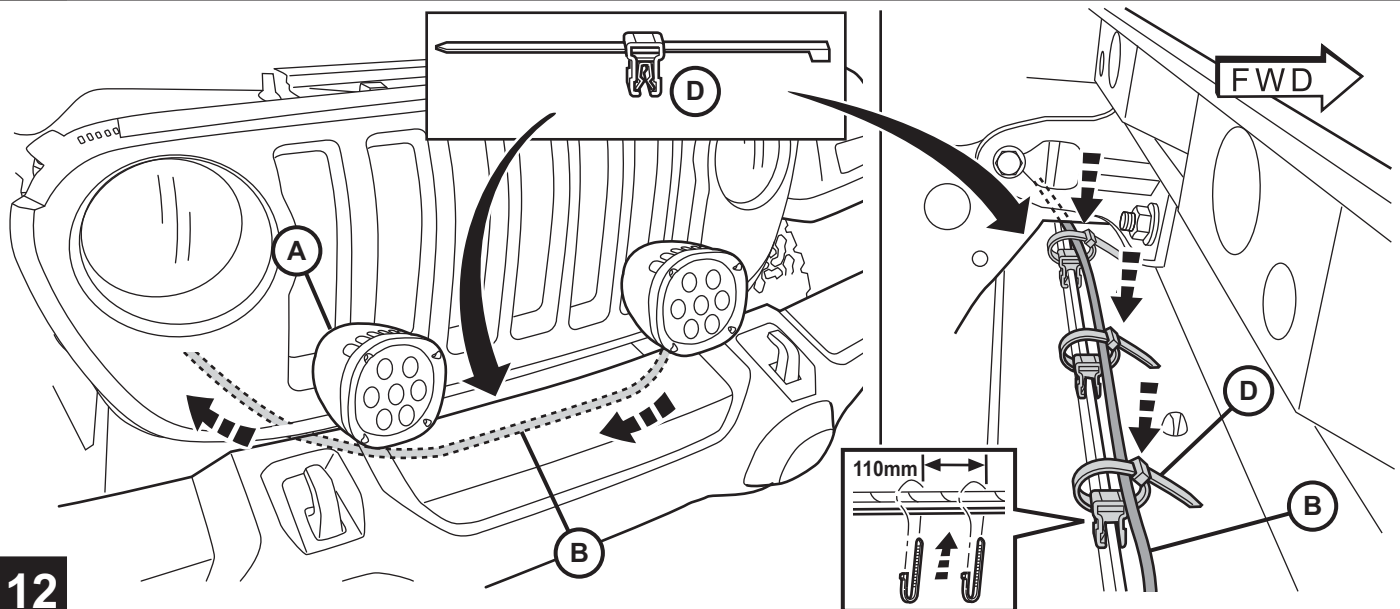
9 2X



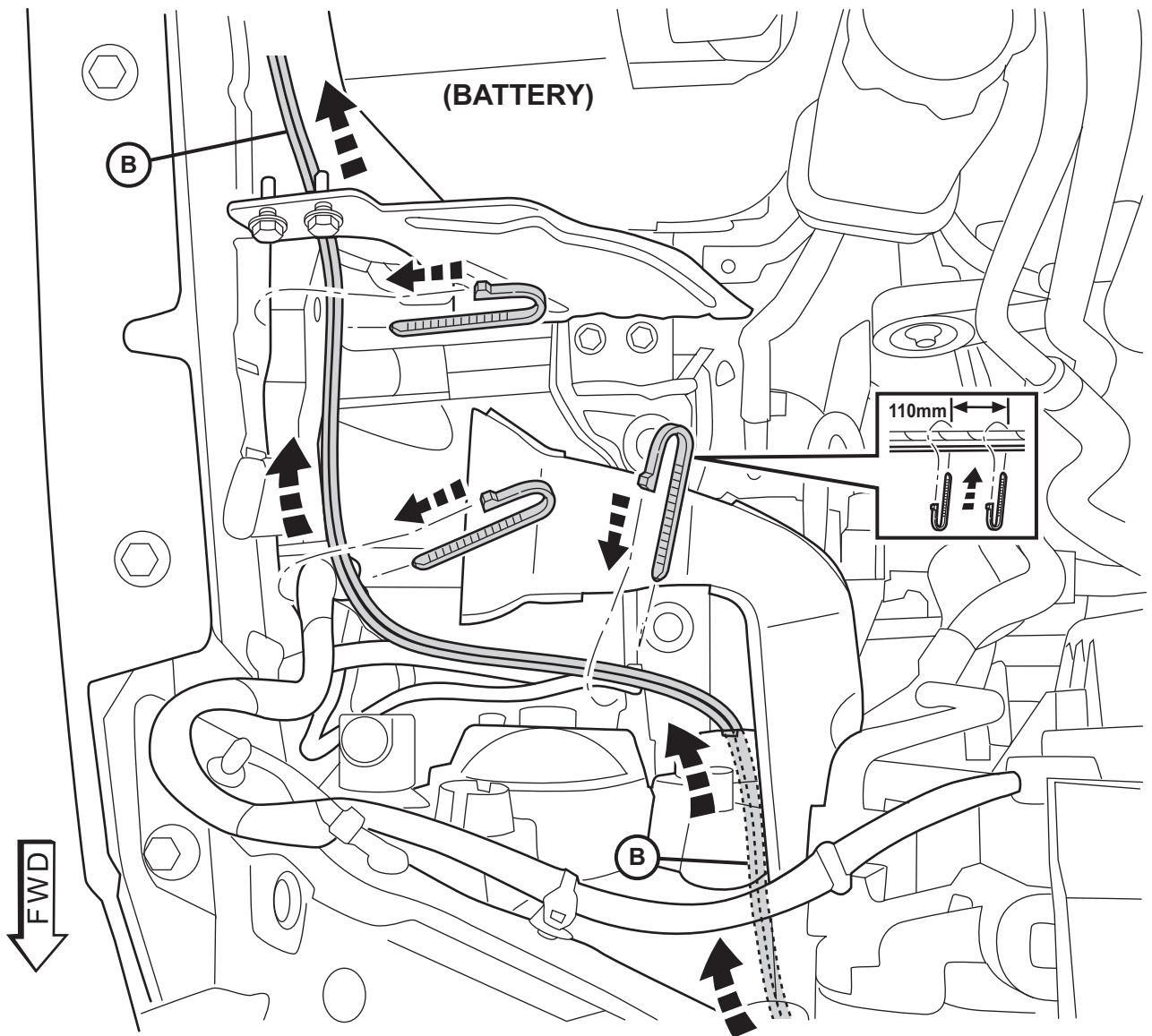
10

REPEAT STEPS 9 THROUGH 11 ON PASSENGER SIDE OF VEHICLE

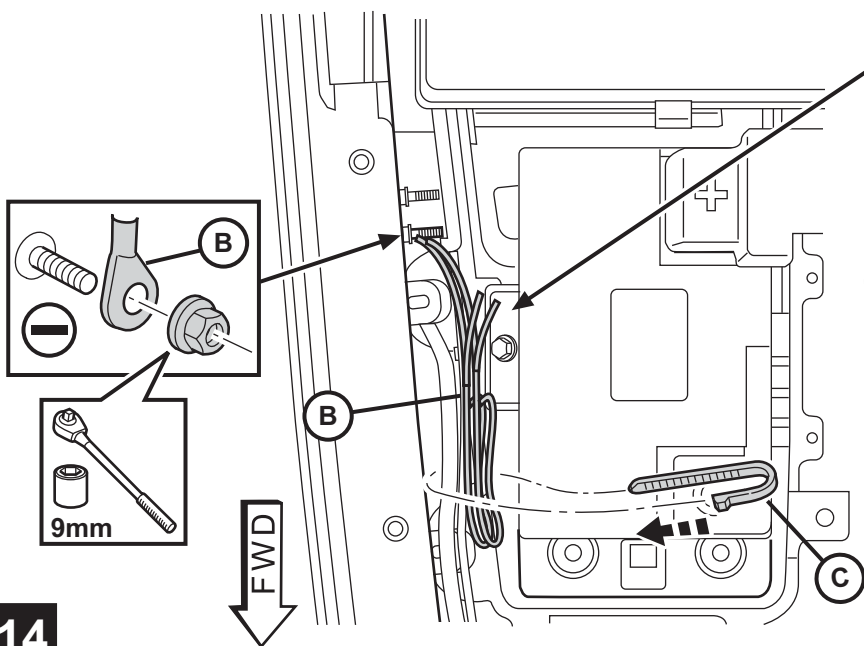
11



12

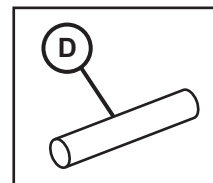


13



14

SPLICE NEW LAMP HARNESSSES (B) INTO EXISTING VEHICLE HARNESS. REFER TO OWNERS MANUAL FOR AUX SWITCH LOCATION AND SPLICE PROCEDURE. SPLICE LIGHTS INTO AUX SWITCH 3 OR 4 ONLY. IF AUX SWITCHES ARE NOT PRESENT, MOPAR KIT 82215190XX (SPORT/SAHARA) OR 82215798XX (RUBICON) CAN BE ADDED. IF MOPAR AUX SWITCH IS NOT AVAILABLE A 15A FAST BLOW MAX FUSED SWITCHED CIRCUIT IS REQUIRED



**REVERSE STEPS 2 THROUGH 4 TO REINSTALL
ALL BODY PANELS AND COMPONENTS**

REVERSE STEP 1 TO RECONNECT BATTERY

15