



EST. 2016

LLC COMPANY

QUALITY DECOR PRODUCTS

Library Ladders

Dimensions & Clearances

GUIDE CONTENTS

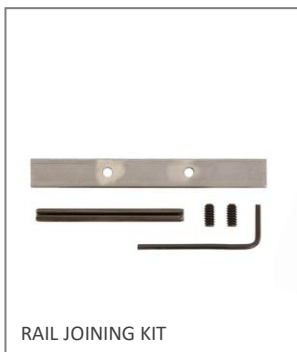
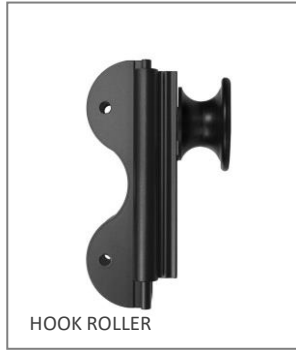
Information & Dimensions

3. List of hardware components
4. Top Hardware dimensions
 - Full Roller
 - Hook Roller
 - Hook Over
5. Bottom Hardware dimensions
 - Wheeled Foot
 - Non-Slip Foot
6. Dimensions continued;
 - Rail dimensions
 - Curved rail dimensions
 - Handrail dimensions and information
7. Rail Bracket dimensions
8. Ladder dimensions
 - Ladder heights
 - Make your own ladder information
9. Allowances & Safety
 - Clearance above ladder
 - Make your own ladder information
 - Ladder Safety

General Installation Guide

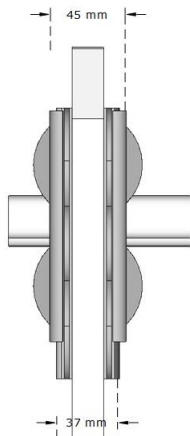
10. Step 1: Rail Installation
11. Step 2: Ladder Assembly (if applicable)
12. -Step 3 Ladder Hardware Installation

COMPONENTS LISTED

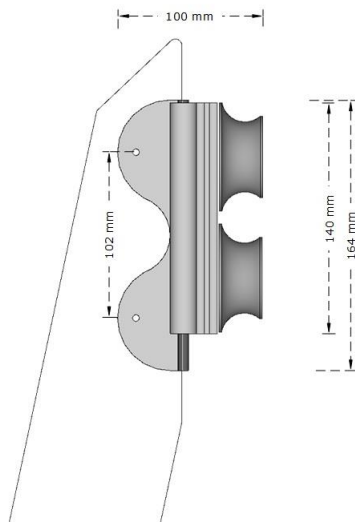


HARDWARE DIMENSIONS

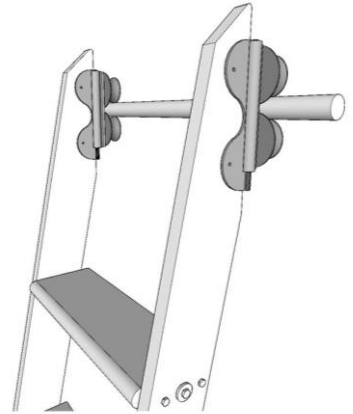
FULL ROLLER



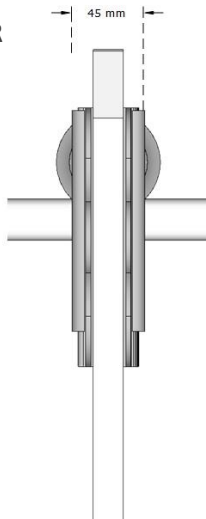
FRONT VIEW



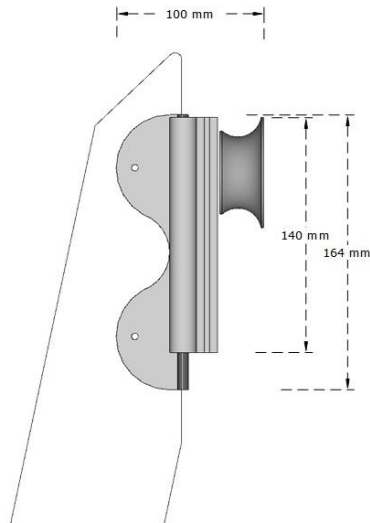
SIDE VIEW



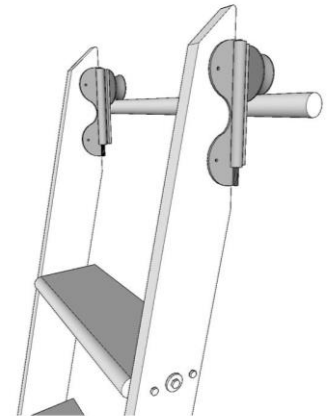
HOOK ROLLER



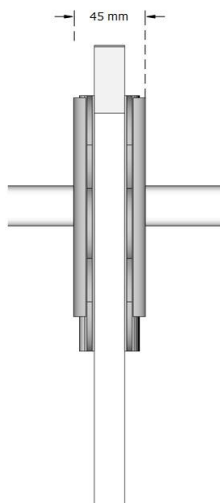
FRONT VIEW



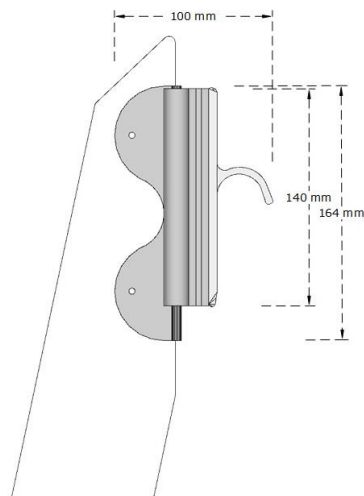
SIDE VIEW



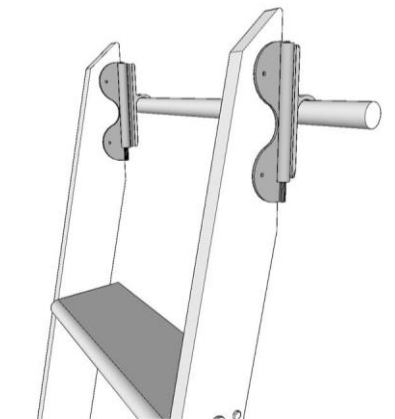
HOOK OVER



FRONT VIEW

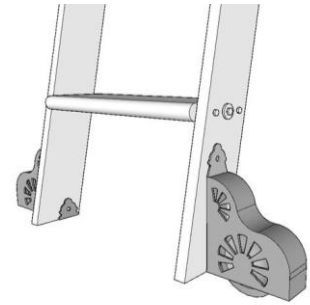
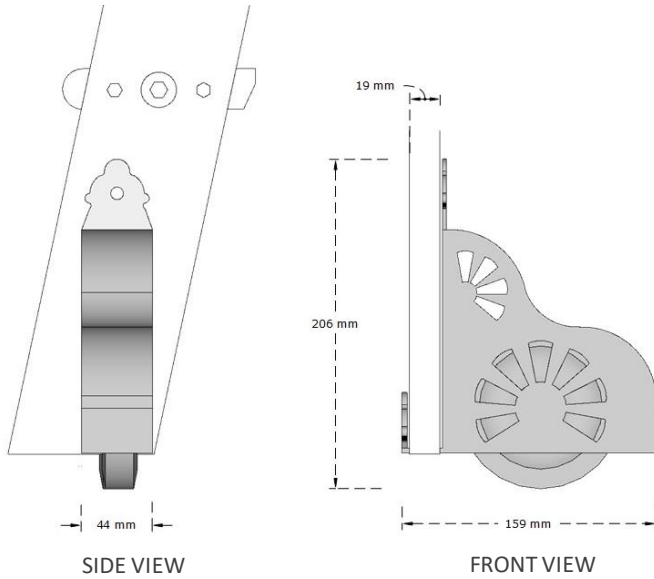


SIDE VIEW



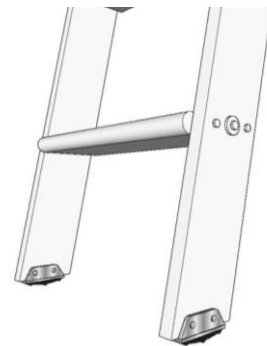
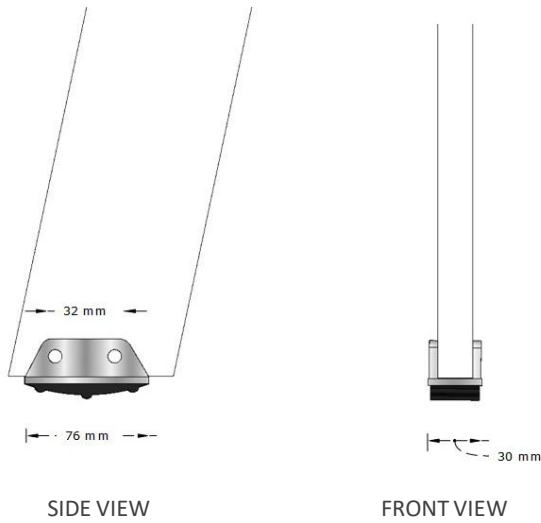
HARDWARE DIMENSIONS

WHEELED FOOT



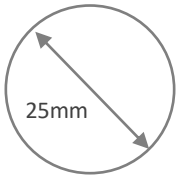
Braking bottom wheels limit ladder movement while standing on ladder, the brakes will engage when as little as 75 lbs. is applied

NON SLIP FOOT



RAIL & BRACKET DIMENSIONS

RAIL DIAMETER



Solid Aluminium

RAIL LENGTHS

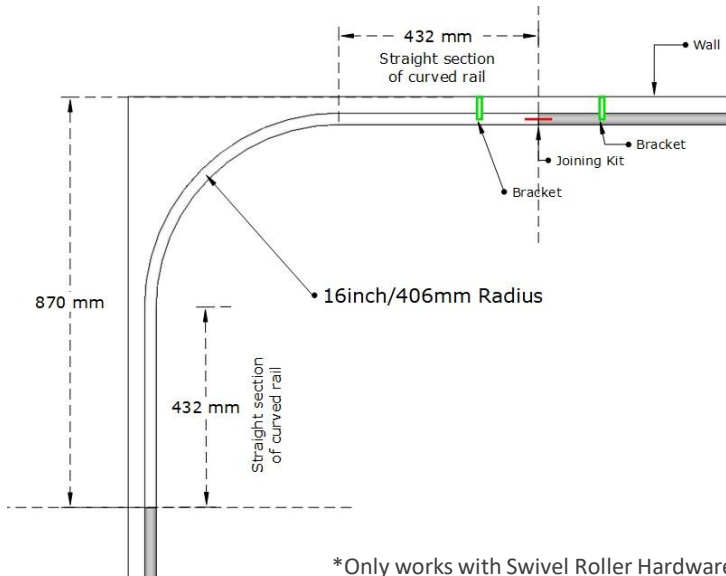


6FT RAIL LENGTH
(1828.8mm)



8FT RAIL LENGTH
(2438.4mm)

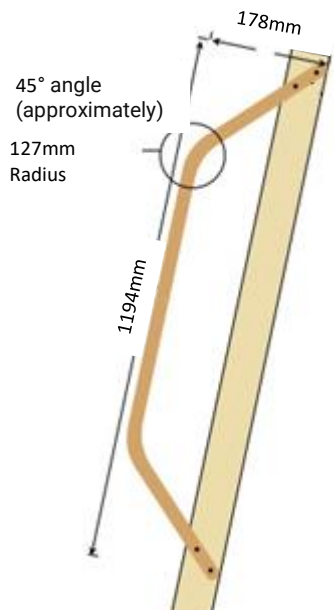
16 INCH CURVED CORNER RAIL



HANDRAIL DIMENSIONS

Adding a pair of handrails to your ladder is optional extra.

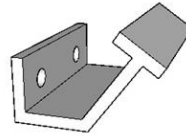
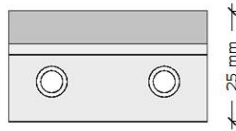
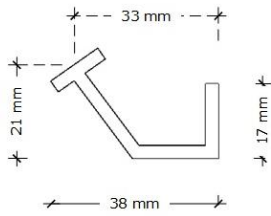
- 19mm timber thickness
- 16mm radius ends
- Predrilled holes at each end
- In the climbing position, the ladder's rolling wheels are approximately 790mm from the wall



BRACKET DIMENSIONS

HORIZONTAL HOOK BRACKET

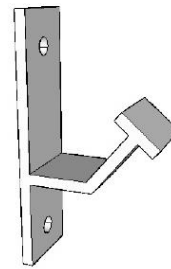
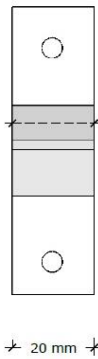
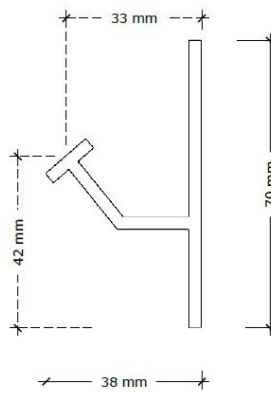
*for **hook rolling & hook-over** hardware



*Brackets should be spaced no more than 3ft (914mm) apart.

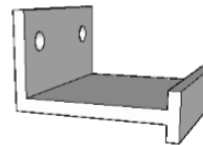
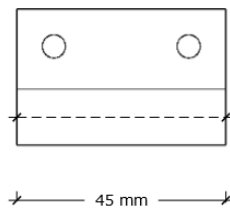
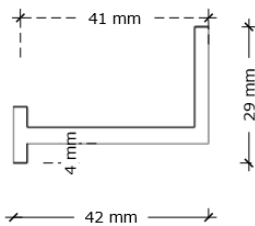
VERTICAL HOOK BRACKET

*for **hook rolling & hook-over** hardware



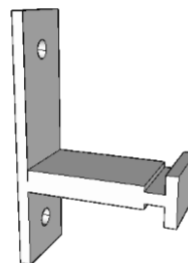
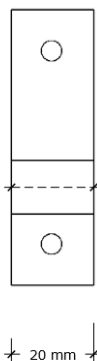
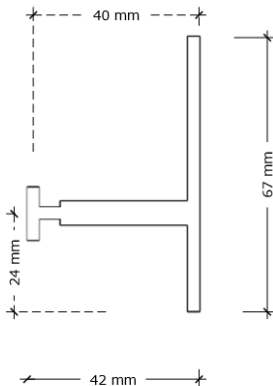
HORIZONTAL ROLLER BRACKET

*for full rolling & swivel rolling hardware



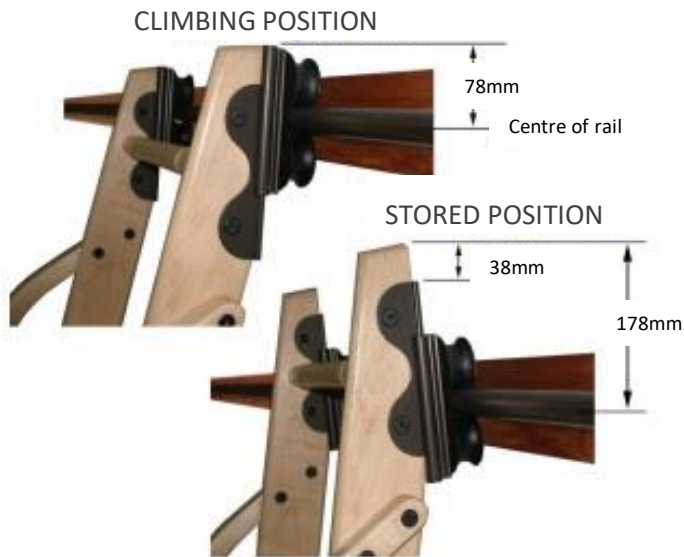
VERTICAL ROLLER BRACKET

*for full rolling & swivel rolling hardware



PLANNING

CLEARANCES & ALLOWANCES



LADDER CLEARANCES

- In the stored position, there is 178mm from the centre of the rail to the top of the ladder
- In the climbing position, there is 78mm from the centre of the rail to the top of the ladder
- In the climbing position, the ladder's rolling wheels are approximately 790mm from the wall

LADDER SAFETY

DO's

- Always inspect the ladder prior to using it and check it is in good condition
- Make sure there is enough room to safely step off the ladder and keep the area clear.
- Always maintain a 3-point (two hands and a foot, or two feet and a hand) contact on the ladder when climbing. Keep your body near the middle of the step and always face the ladder while climbing.
- Make sure the ladder is in a safe environment on a stable and level surface.
- Make sure the ladder is in the correct climbing angle prior to climbing.
- Make sure the ladder treads are flat before you climb the ladder.
- Make sure you do not lean away from the ladder and that you keep your weight between the ladder uprights.

DONT's

- Never overload the ladder or carry loads on ladders.
- Do not overreach from the ladder or lean your weight outside of the ladder sides.
- Never have more than one person on the ladder at one time.
- Never stand ladders on moveable objects or on uneven ground.
- Never climb the ladder when it is in vertical or stowed position.
- Do not use the top step/rung of the ladder.
- Do not spend more than 20minutes on the ladder

If you need any further assistance, please contact the team
on info@llcompany.co.uk

EST. 2016

LLCOMPANY

www.llcompany.co.uk