

0516

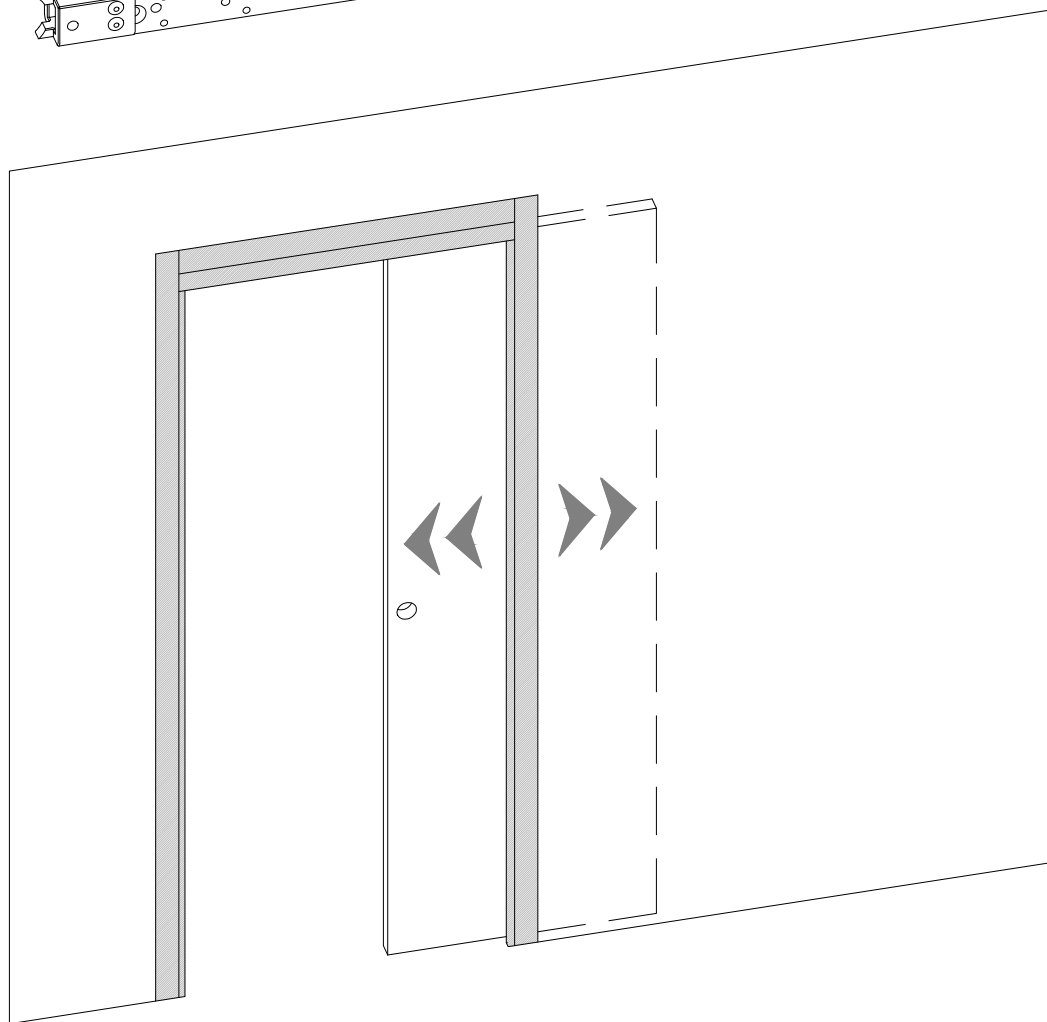
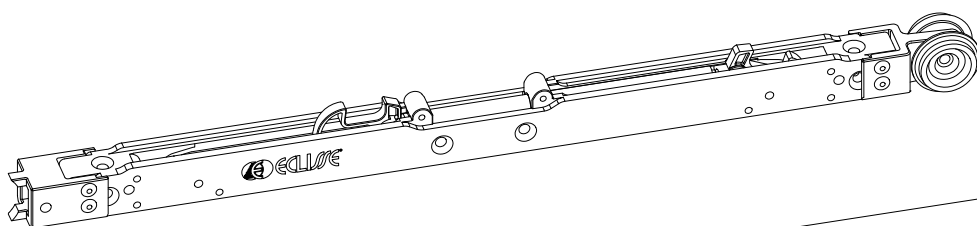
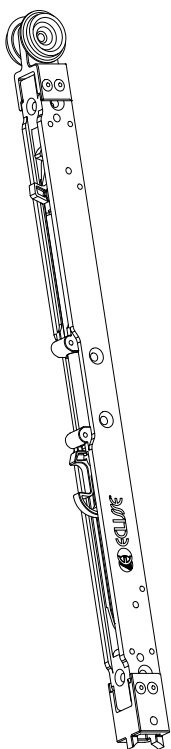
00

ECLISSE BIAS® DS

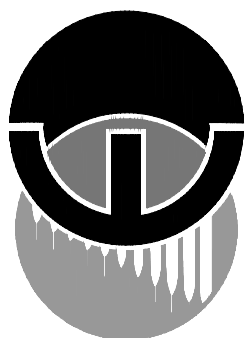
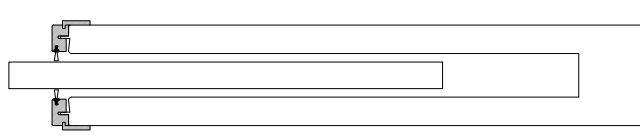
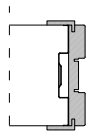
Built In Anti Slam

DOUBLE SIDE

ECLISSE BIAS® DS

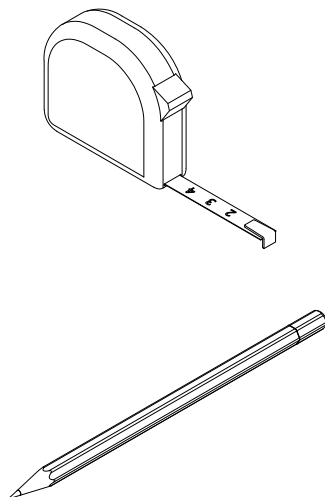
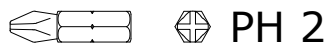
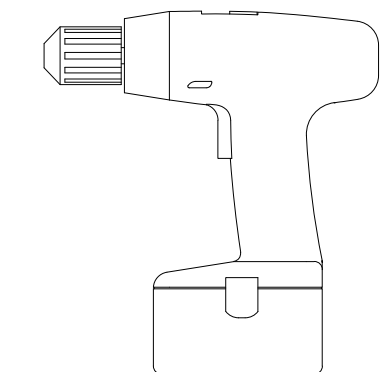


Classic

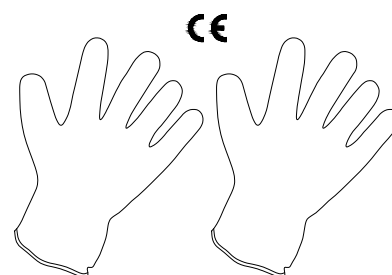
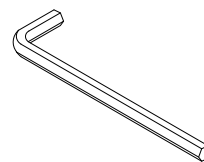


ECLISSE

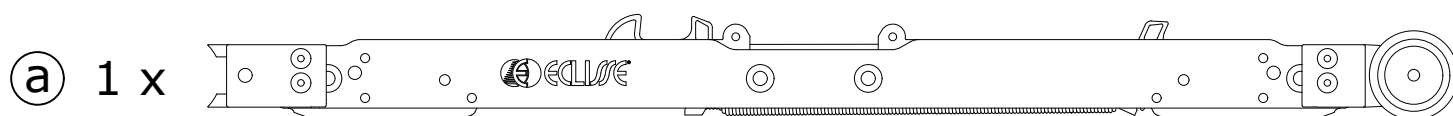
TOOLS REQUIRED



CH. 2.5



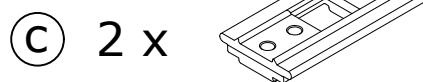
COMPONENTS



BIAS-DS MECHANISM

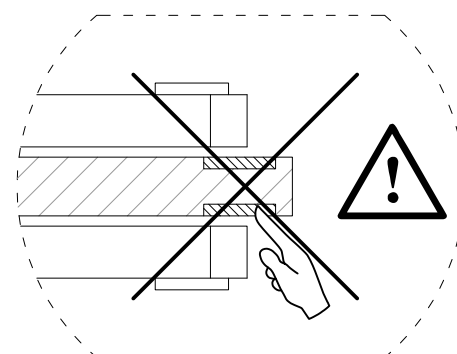
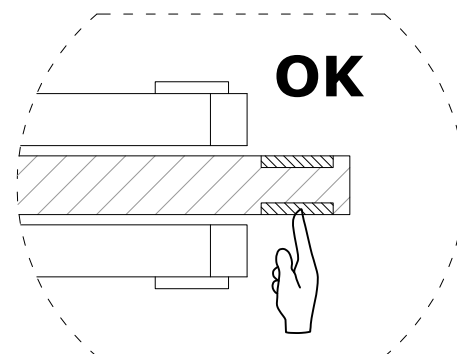


CONNECTION SCREW

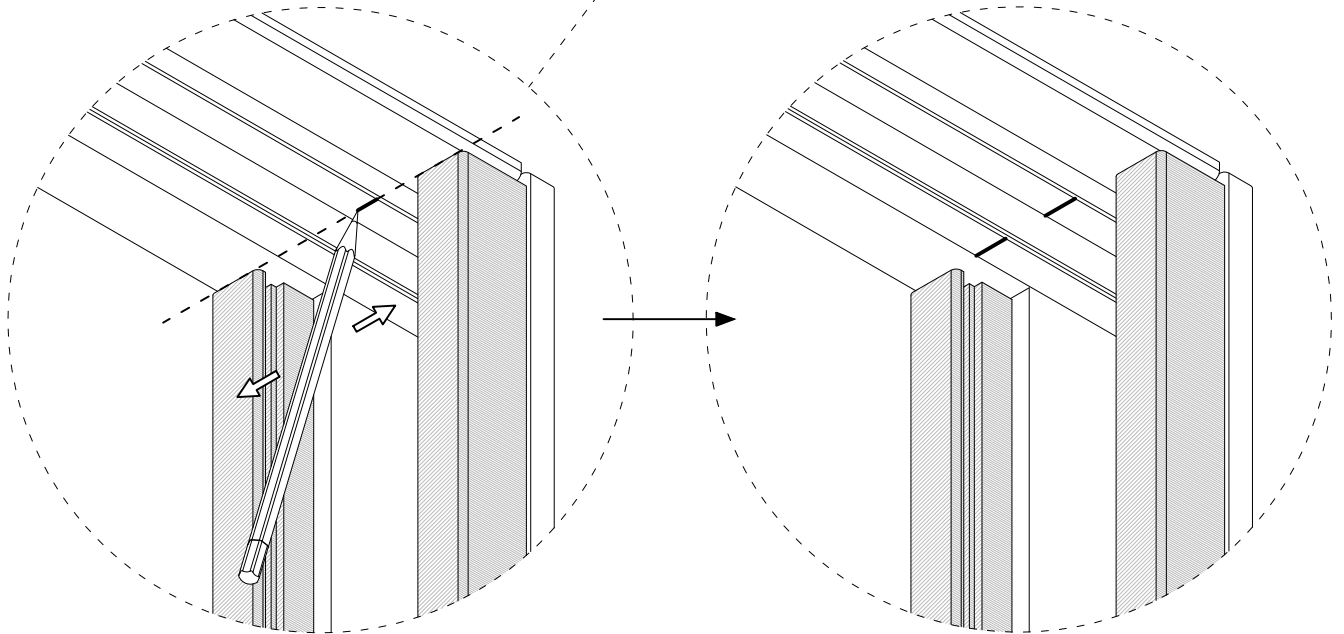
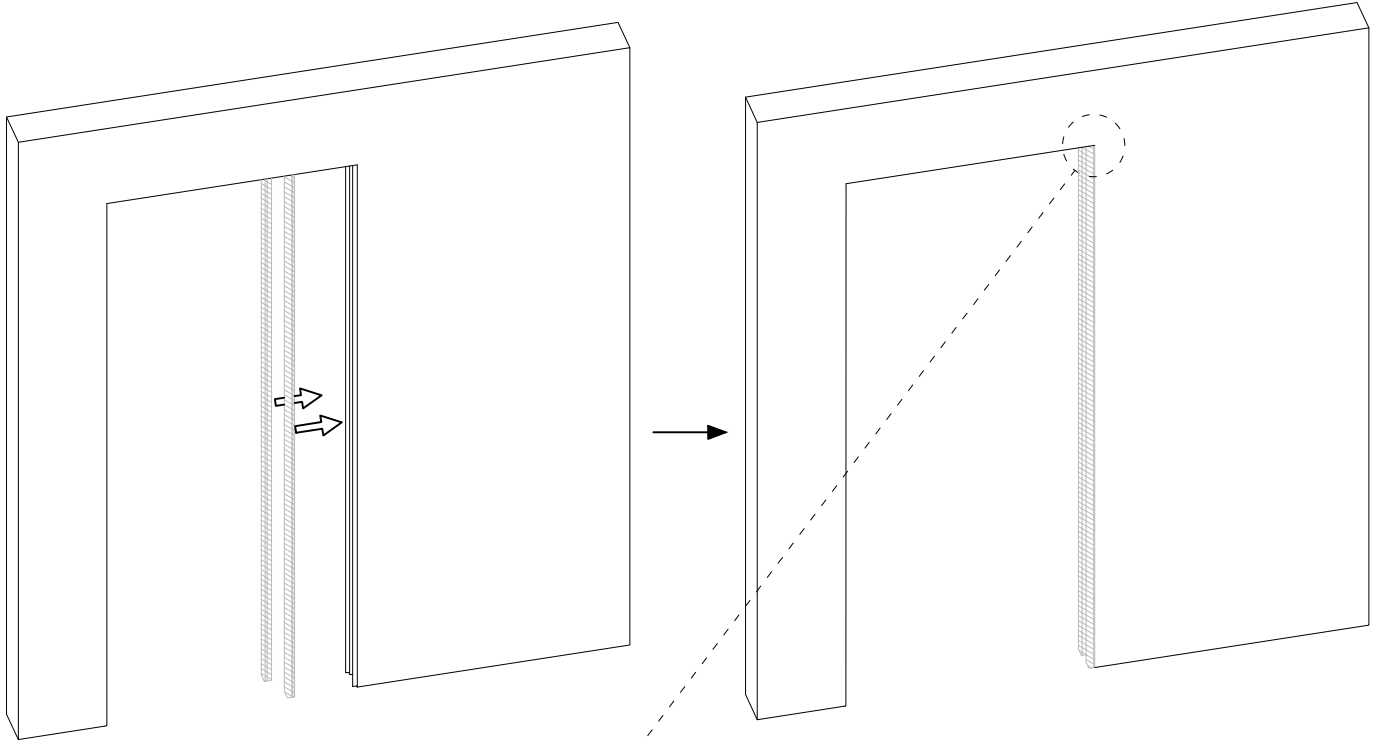
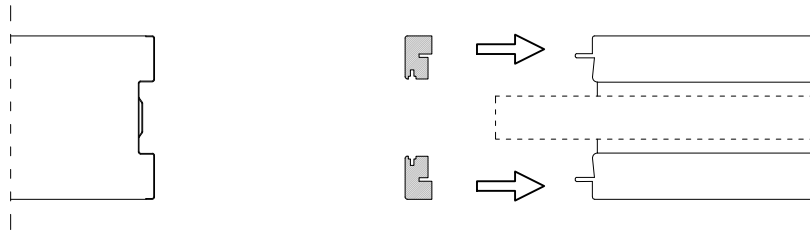


ACTIVATION BRACKET

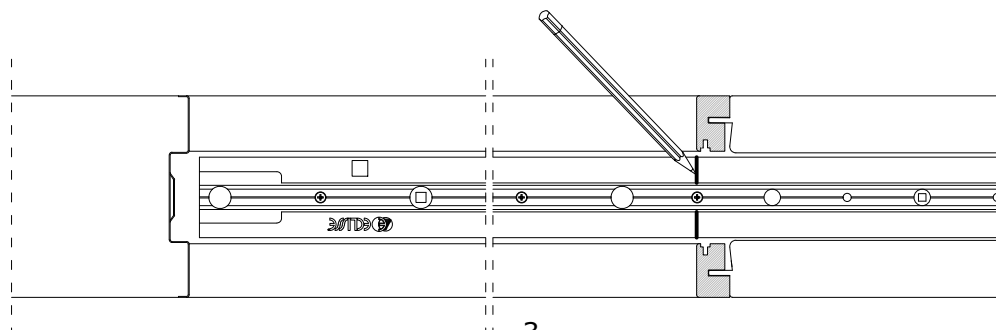
(GB) WARNING: All sliding doors, if nonprofessionally and recklessly handled, can be dangerous also depending on the size and characteristics of the panel and of the material of which is made. For safety reasons, our counterframes are equipped with adjustable door catch. In order to avoid the risk of injury it is absolutely necessary to install it, taking care to stop the door, so that the handle stays completely on sight and the hand, while holding and using the handle, and based on the sizes and characteristics of the latter, can never come into contact with the edge of the counterframe or with projecting and/or reentering accessories, decorations or other characteristics of the door panel. In the event of non-observance of these warnings, which must be communicated by the installer and/or vendor to the end user, Eclipse Srl disclaims all liability for any injuries.



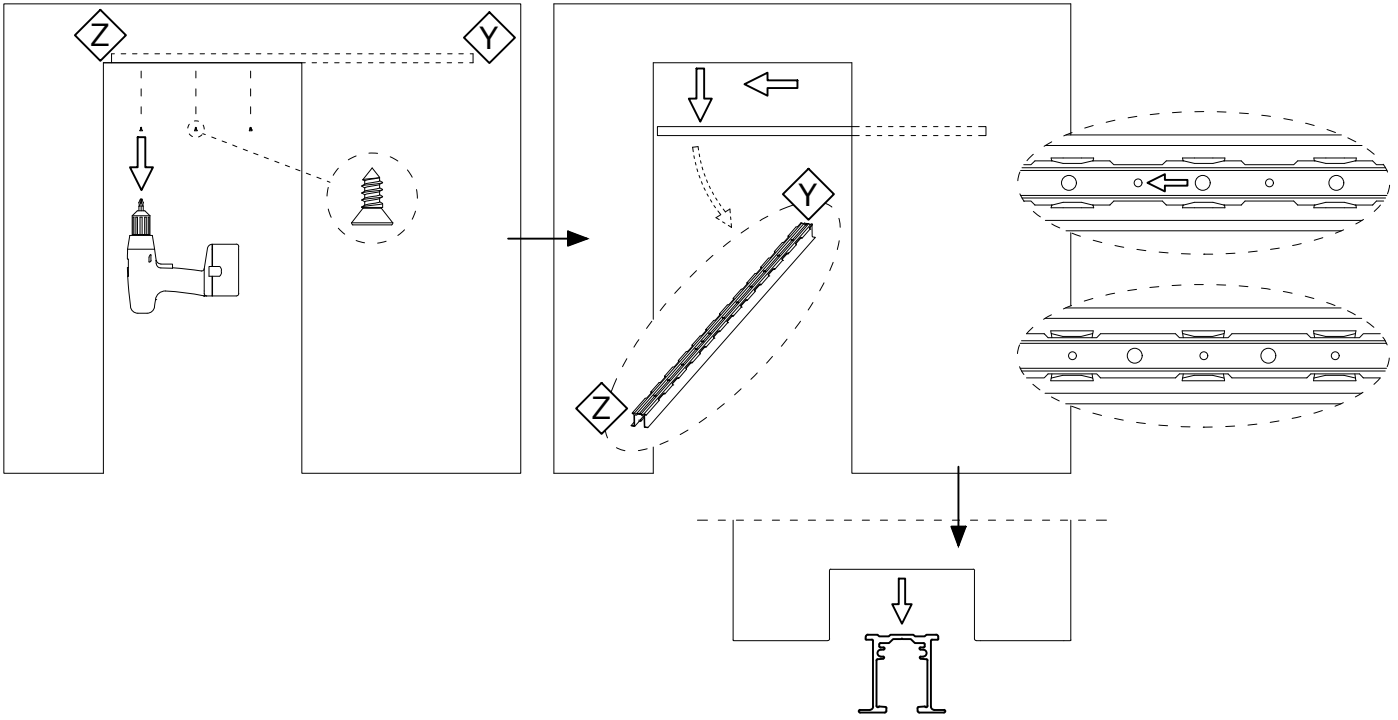
1 Fit the pocket entrance verticle jambs as frame instructions (B).



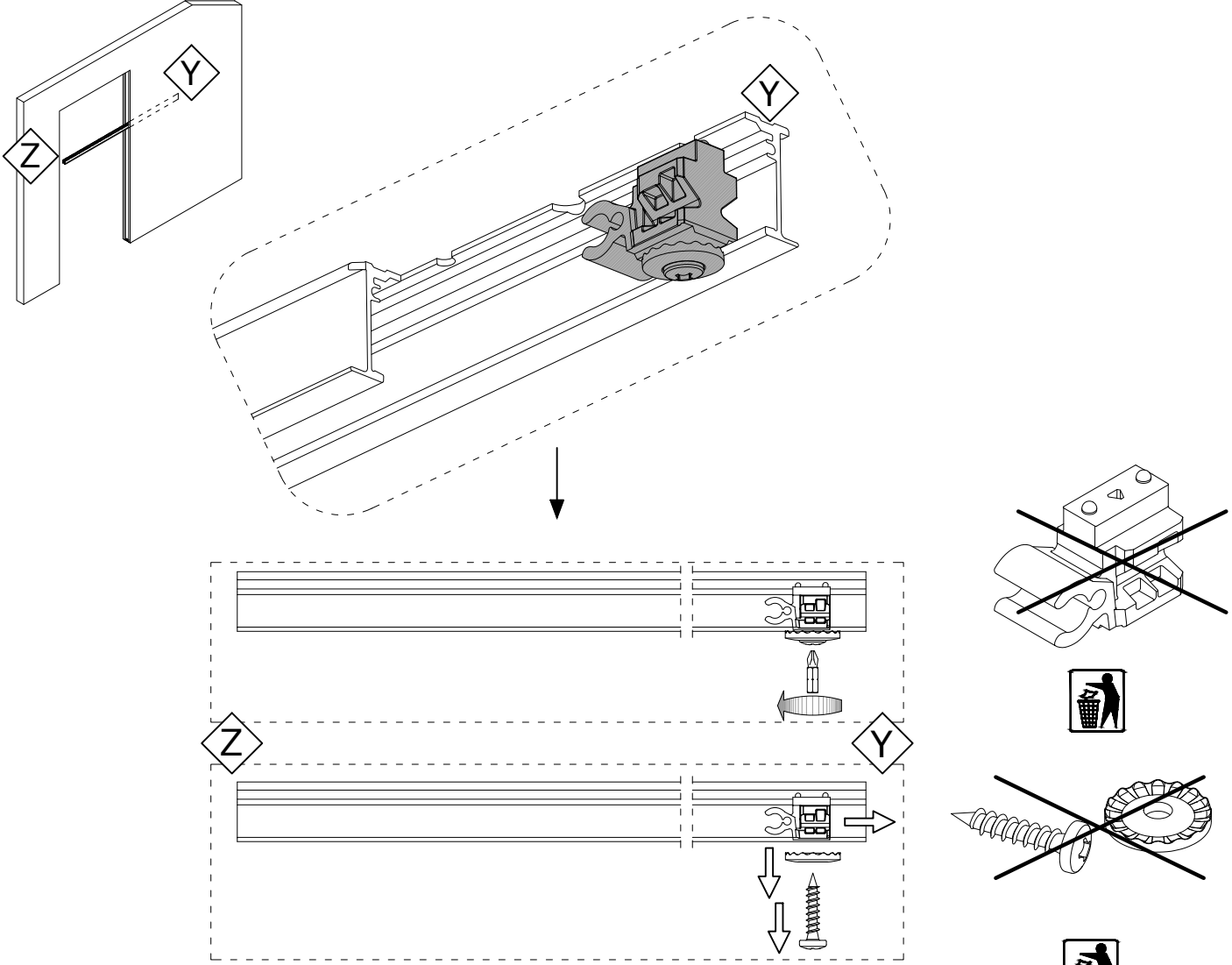
Draw a line across the track at the pocket entrance



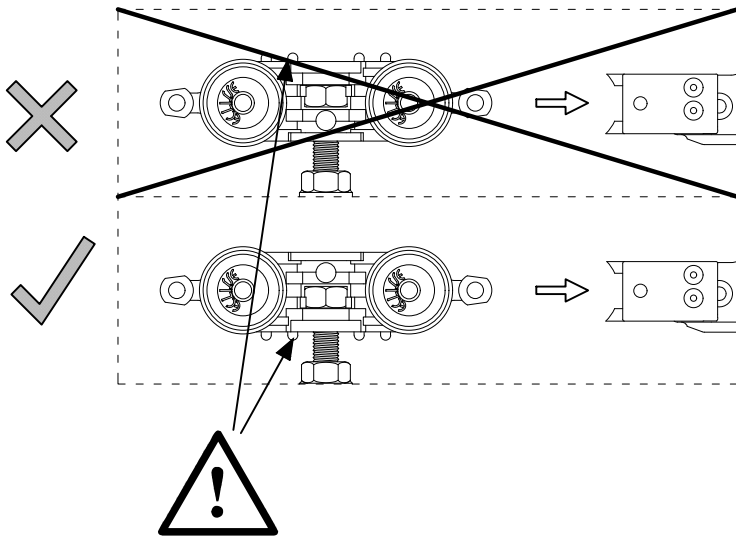
- 2** Remove track from the pocket unit by removing the small screws holding the track to the header across the opening. Slide the track to one side and it will drop out.
NOTE: Please store these screws safely.



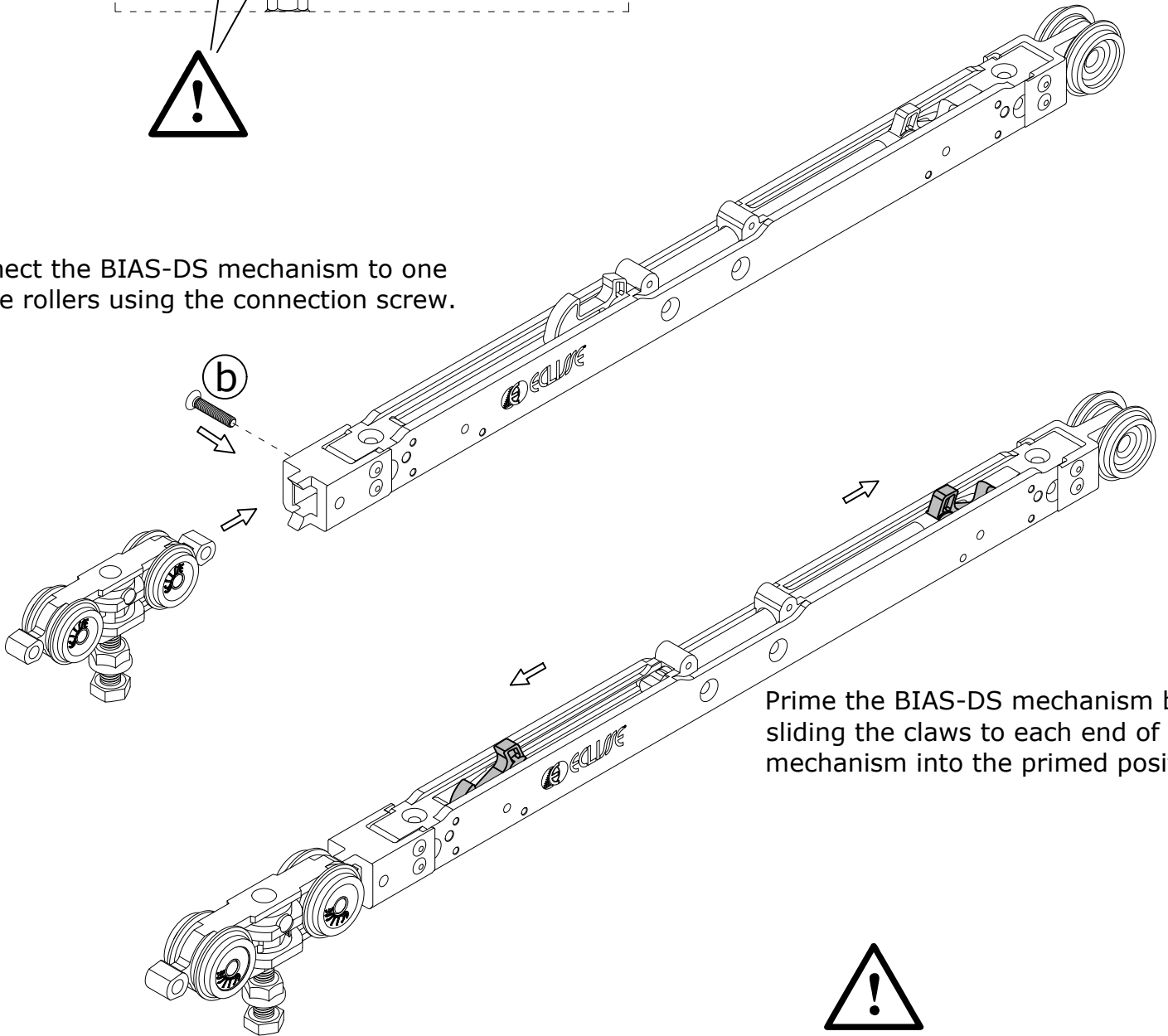
- 3** Remove both adjustable stops from the track and dispose of them.



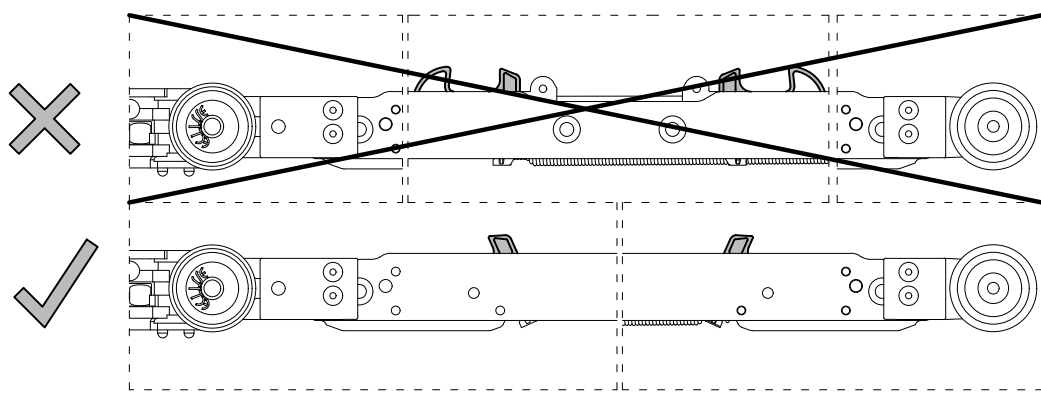
4 Take careful note of the nibs on the roller these are to face downwards.



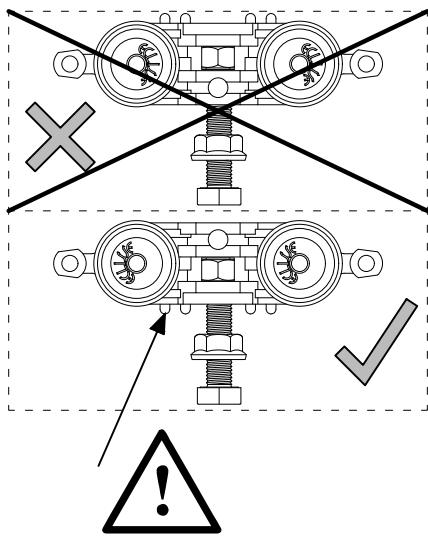
Connect the BIAS-DS mechanism to one of the rollers using the connection screw.



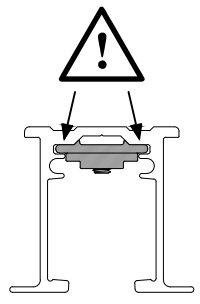
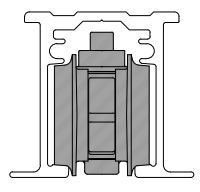
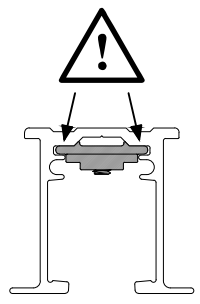
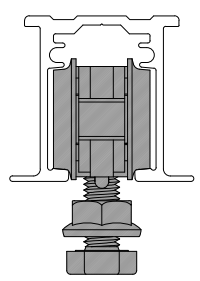
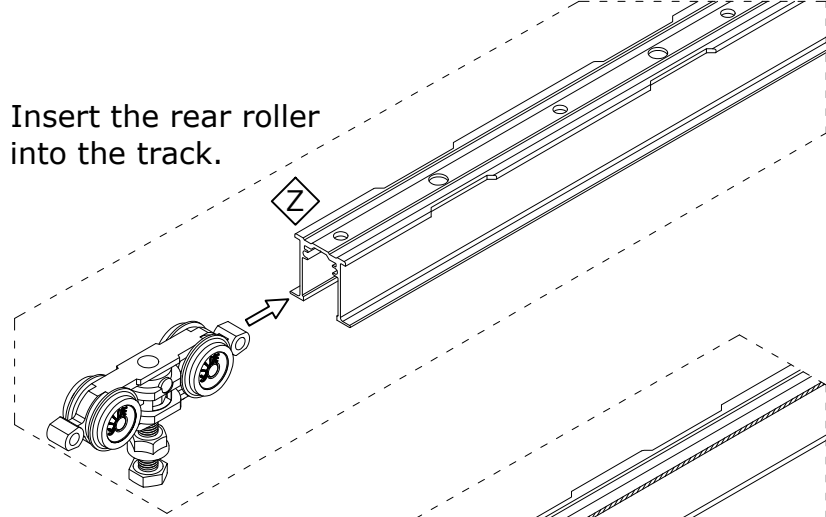
Prime the BIAS-DS mechanism by sliding the claws to each end of the mechanism into the primed position.



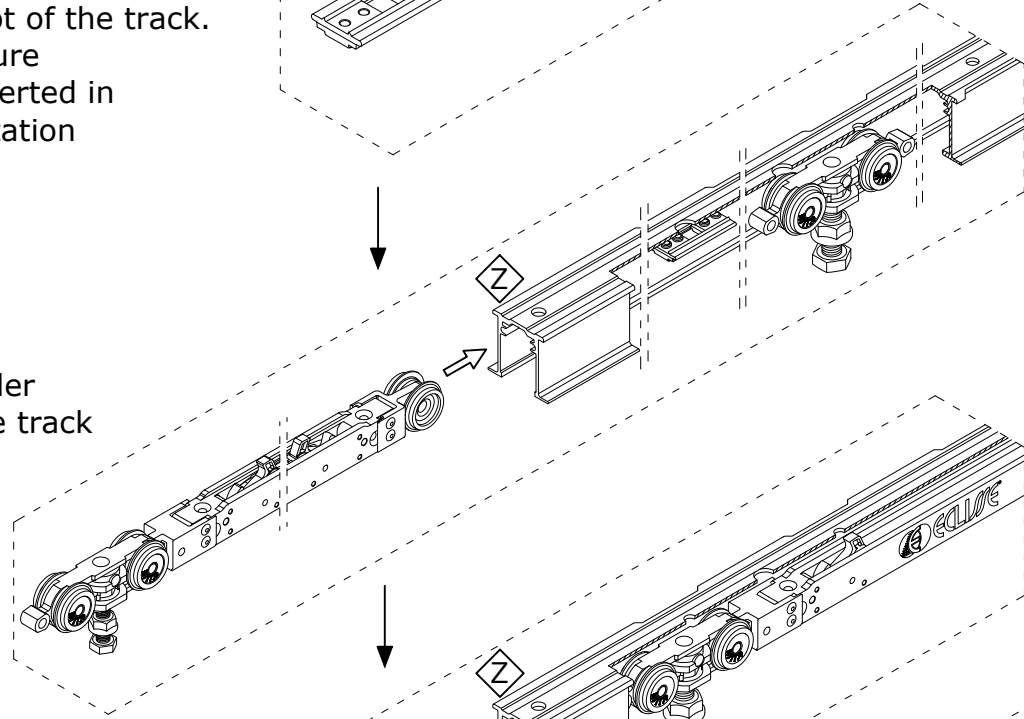
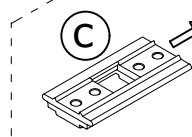
5



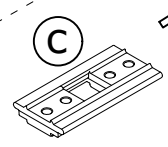
Insert the rear roller into the track.



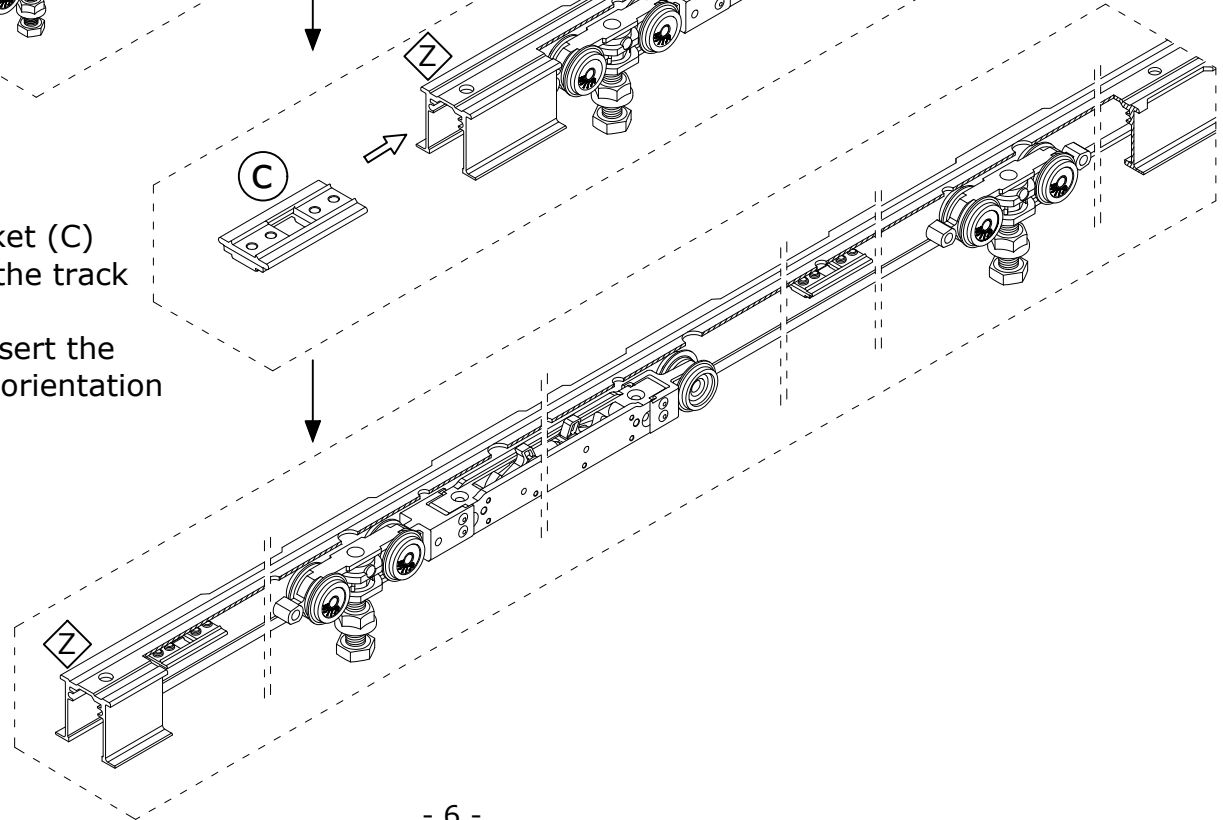
Insert activation bracket (C) into the upper slot of the track. Take care to ensure the bracket is inserted in the correct orientation as shown.



Next insert the anti-slam and roller assembly into the track (anti-slam first).

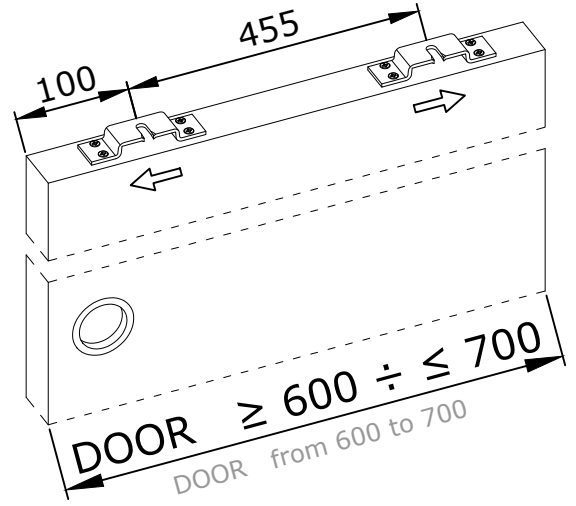
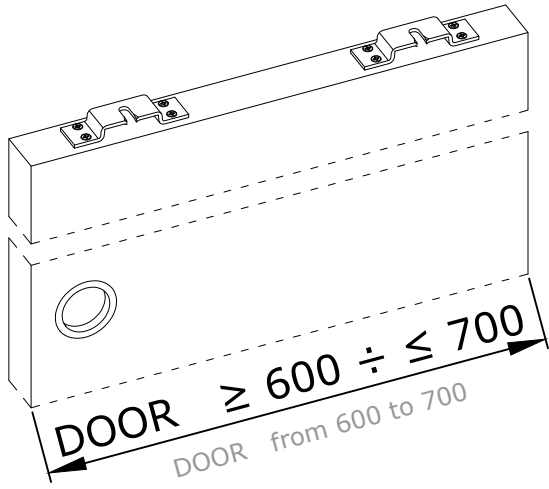


Insert activation bracket (C) into the upper slot of the track as per above drawing. NOTE: Take care to insert the bracket in the correct orientation as shown.



6

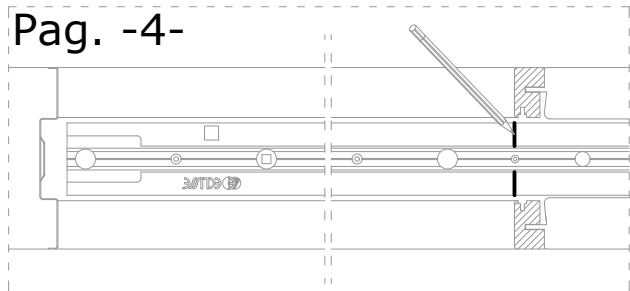
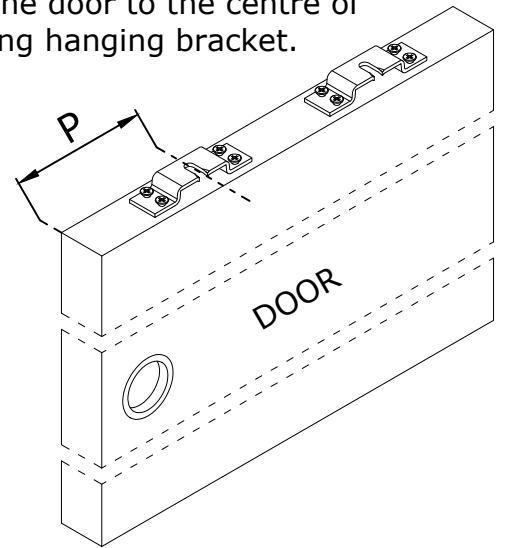
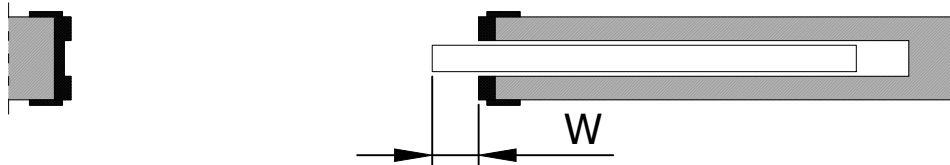
For doors between 600mm & 700mm wide - reposition the brackets on the door as shown.



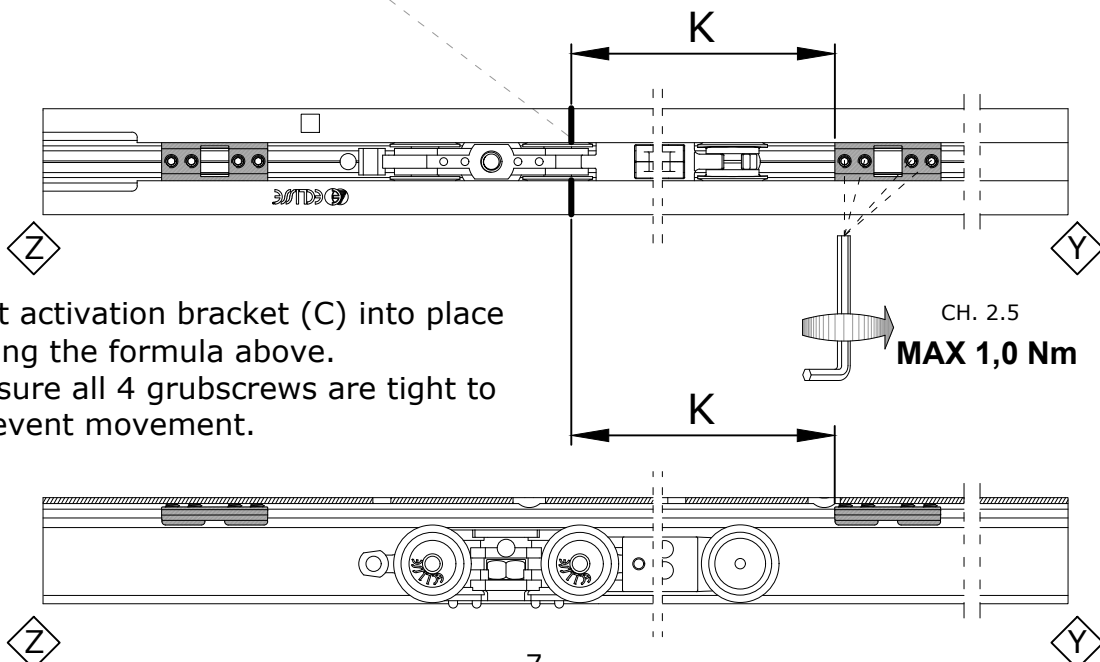
7

W = Amount you wish the door to protrude when fully open.
K = The line draw on the track at step 1.

P = Distance from the leading edge of the door to the centre of the leading hanging bracket.

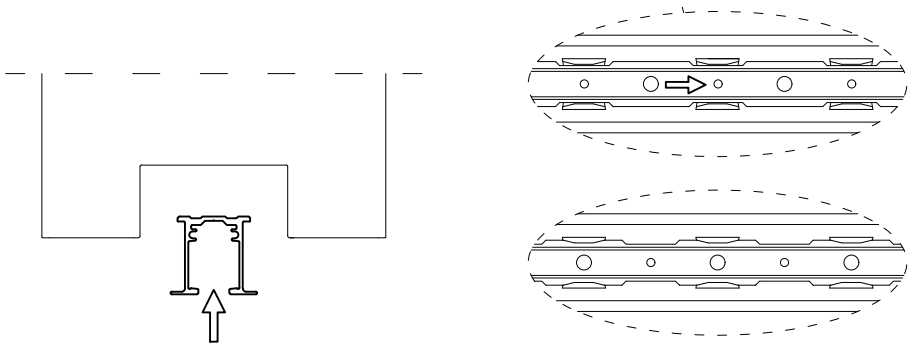
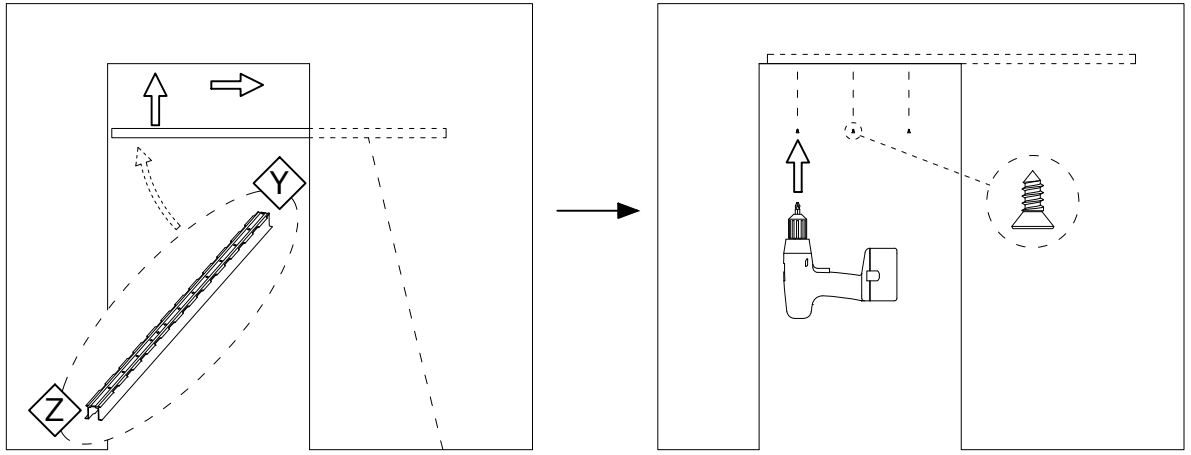


$$K = P + 248 \text{ mm} - W$$

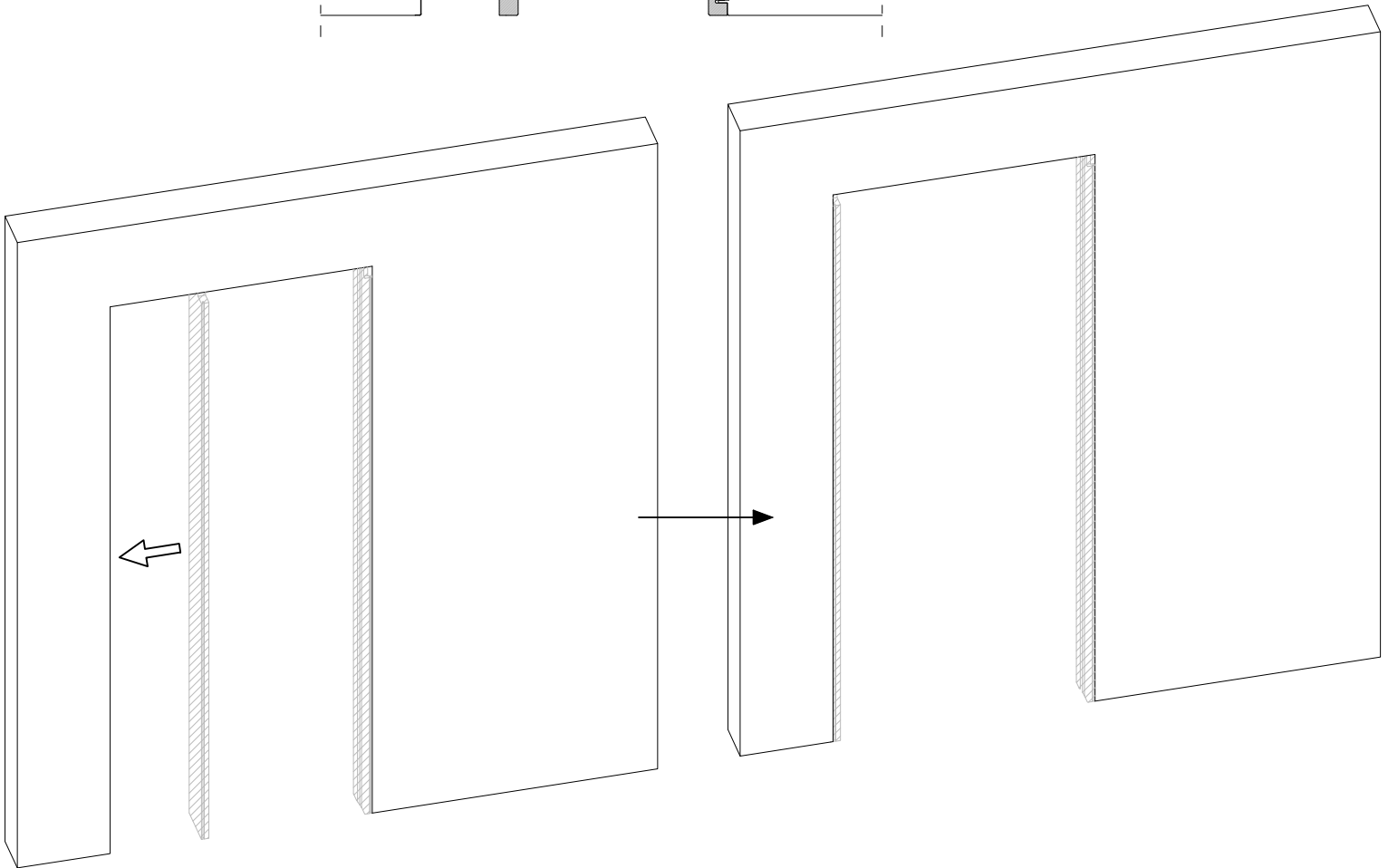
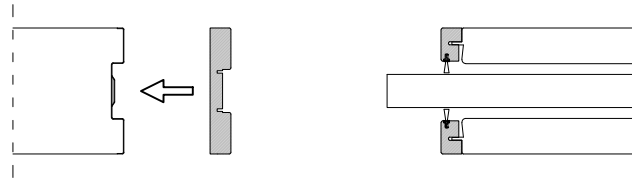


Set activation bracket (C) into place using the formula above. Ensure all 4 grub screws are tight to prevent movement.

8 Insert the track back into the pocket system in reverse order of removal.



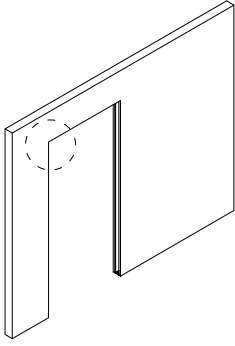
9 Fit the timber door posts (C) as per frame instructions.



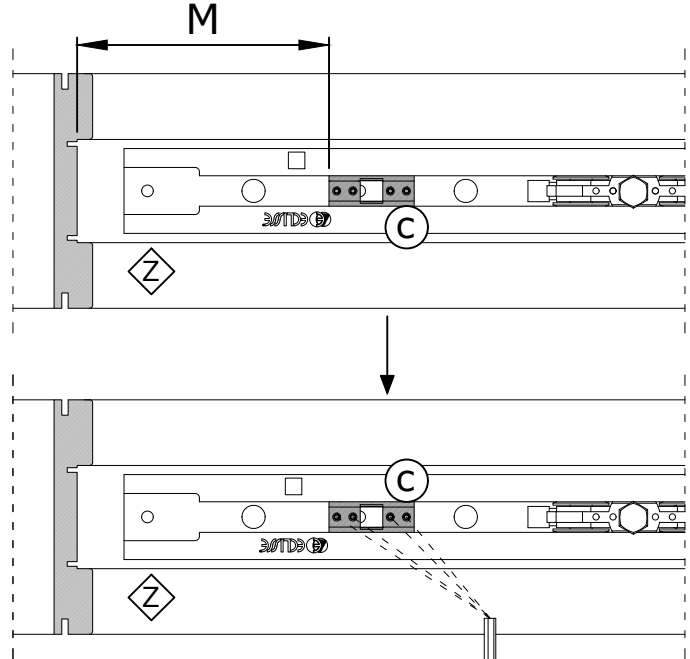
10

Set activation bracket (C) into place using the formula above. Ensure all 4 grubscrews are tight to prevent movement.

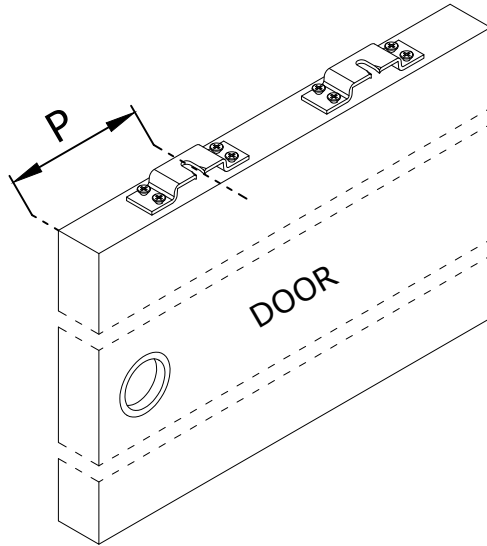
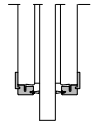
classic single door



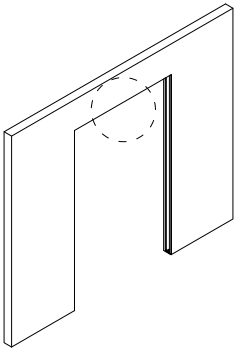
$$M = P + 135 \text{ mm}$$



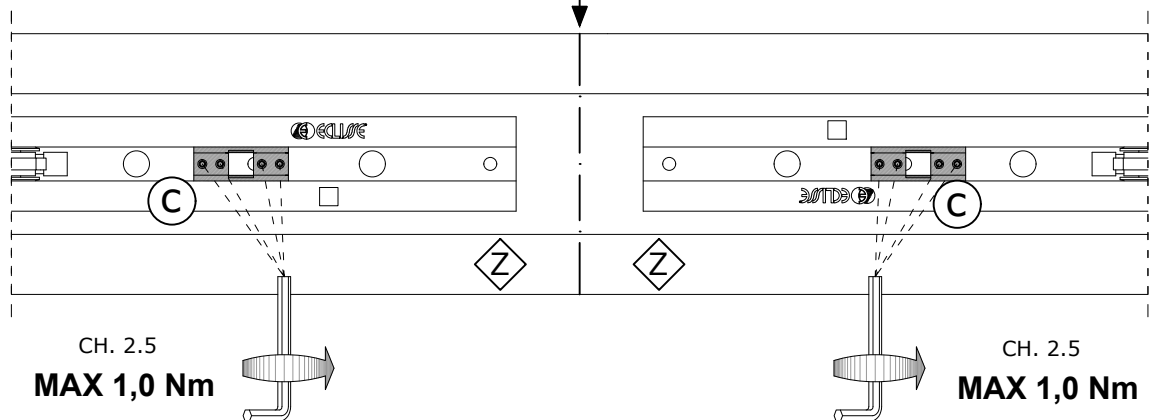
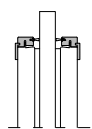
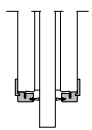
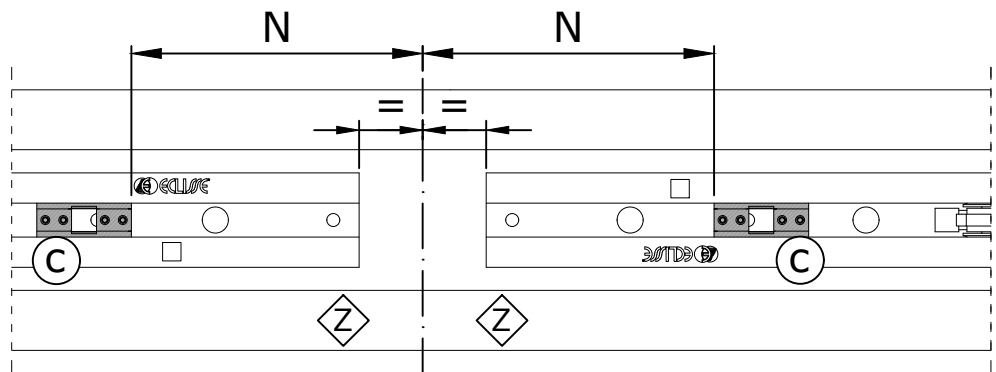
CH. 2.5
MAX 1,0 Nm



classic double door



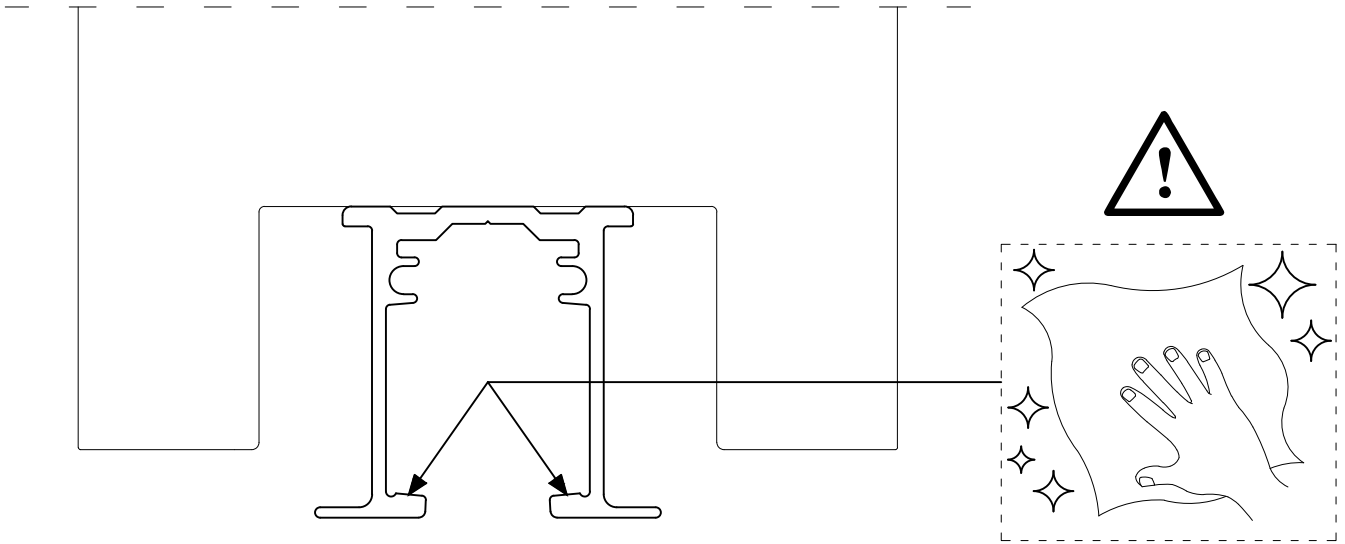
$$N = P + 135 \text{ mm}$$



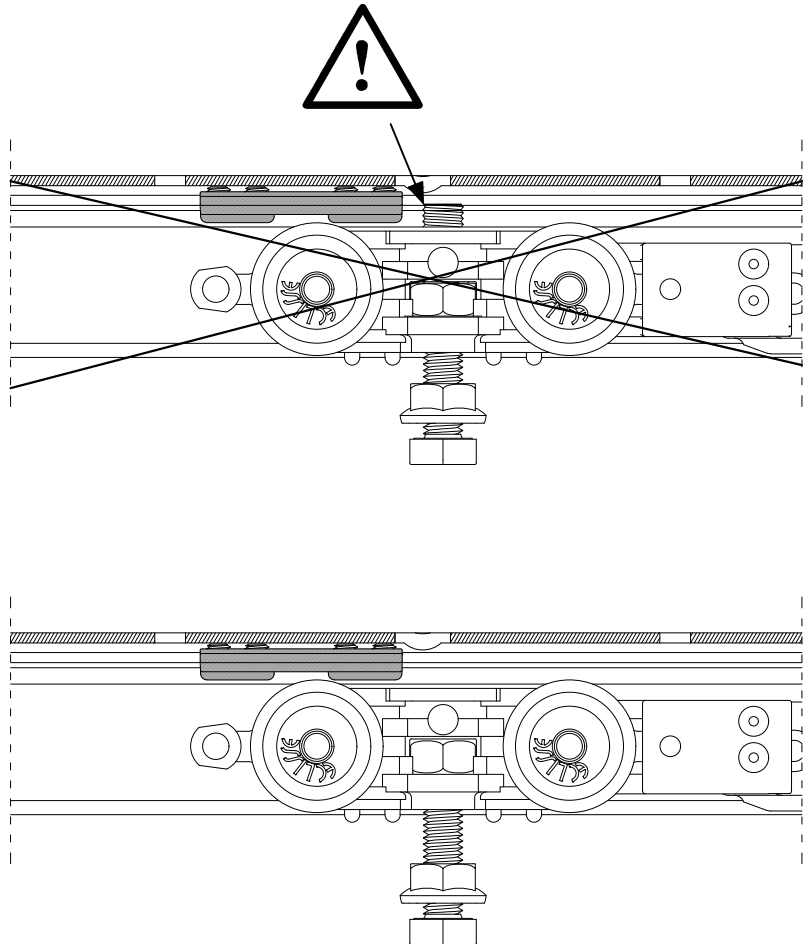
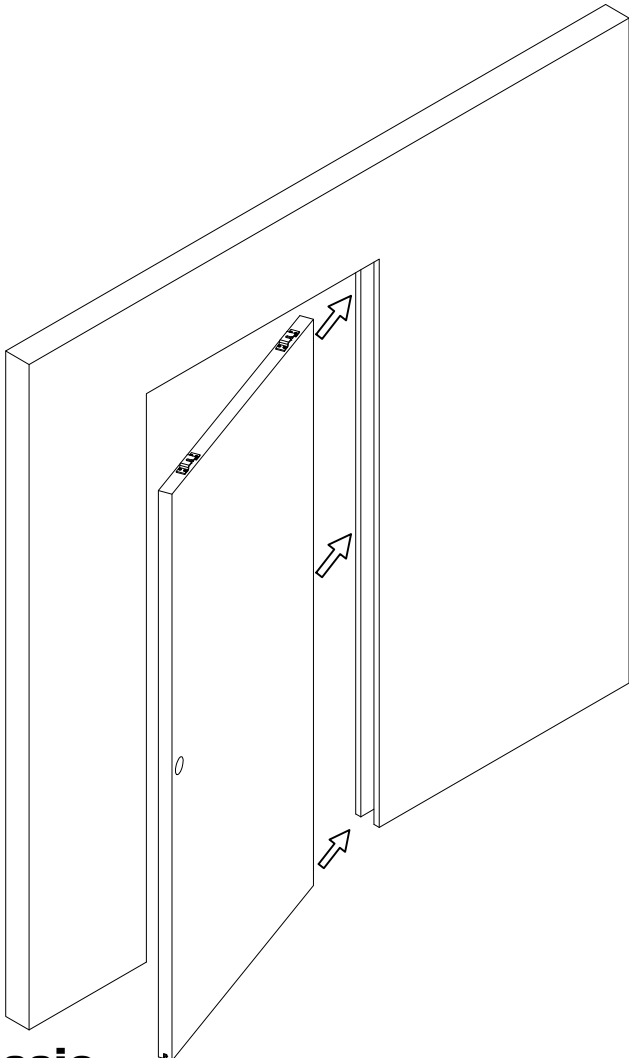
CH. 2.5
MAX 1,0 Nm

CH. 2.5
MAX 1,0 Nm

11 Clean the track.

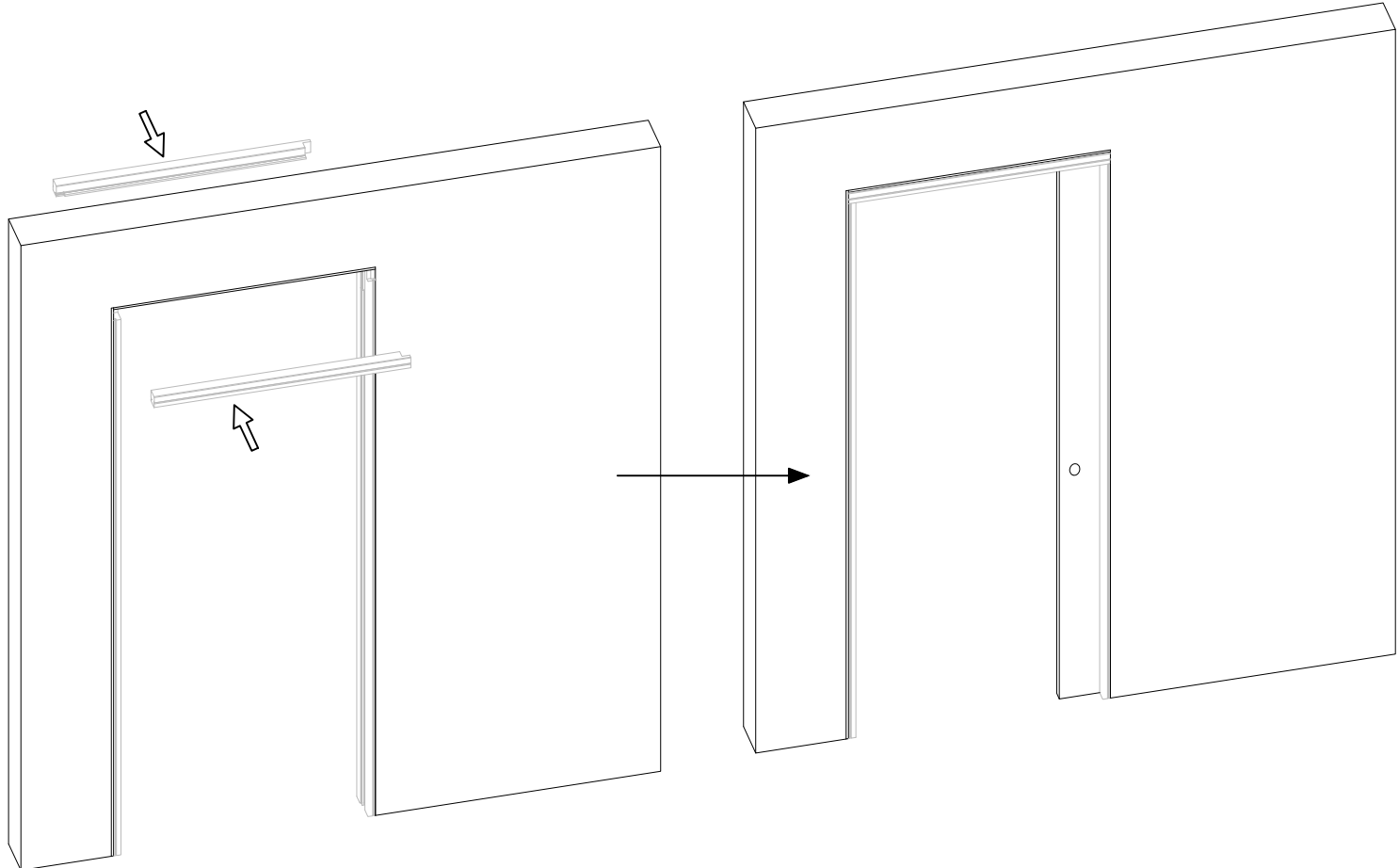
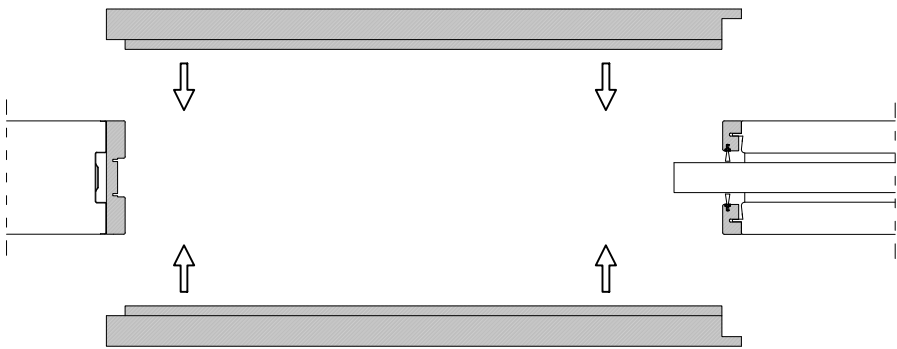


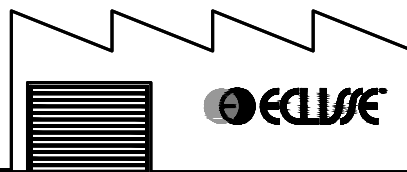
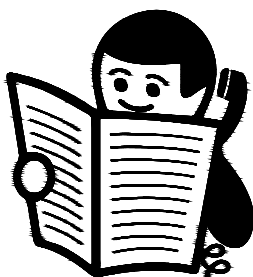
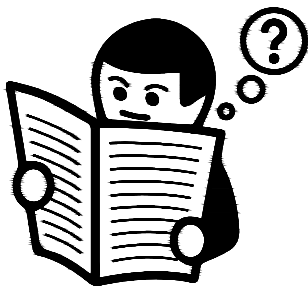
12 **WARNING!**
If the hanging bolt is adjusted too high, it will protrude through the top of the roller.
If this happens, lower the door or trim down the bolt slightly.



13

Fit the pocket entrance horizontal jambs.





www.eclisseworld.com/en/dealer-locator

