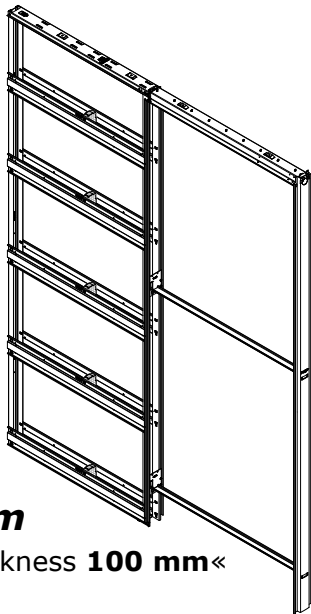


## ASSEMBLY AND INSTALLATION

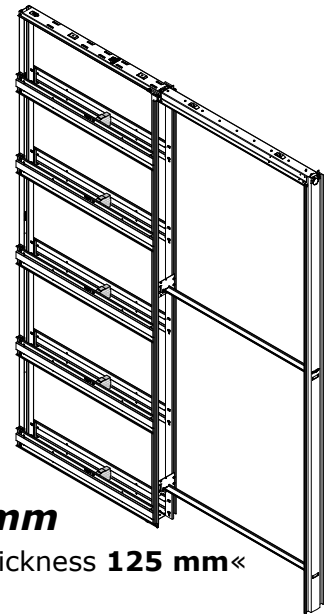
**Most Important!** This framework can be assembled to suit a 100 mm finished wall thickness (75 mm studwork) or a 125 mm finished wall thickness (100 mm studwork)... HOWEVER ... the supplied jamb kit is specific to either 100 mm or 125 mm BUT NOT BOTH! so you must establish if your jamb kit is for a 100 mm or 125 mm and assemble the frame accordingly (see sticker on jamb box or delivery document).

For **100 mm** finished walls start on page 3 and for **125 mm** finished walls start on page 8



**FRAME 75mm**

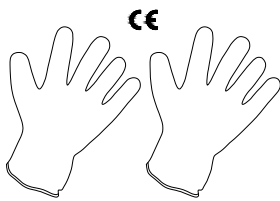
»Finished Wall Thickness **100 mm**«



**FRAME 100mm**

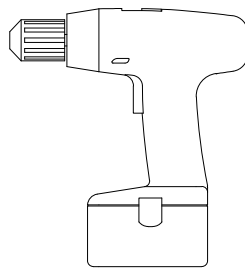
»Finished Wall Thickness **125 mm**«

### Tools required



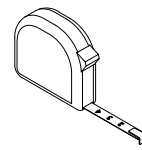
Gloves

Electric screwdriver



Bits

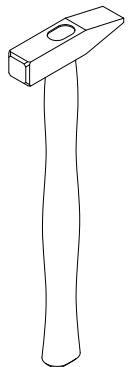
PH. 2



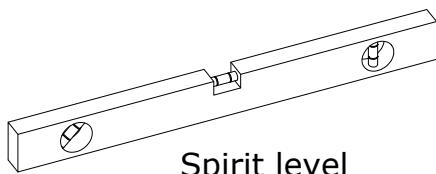
Tape measure



2x No13 spanner



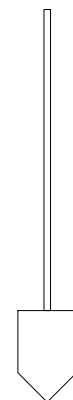
Hammer



Spirit level



Saw



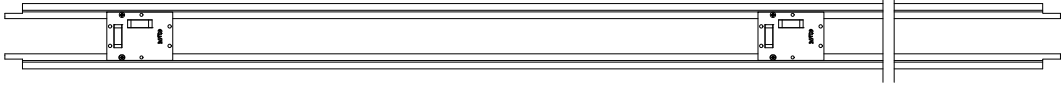
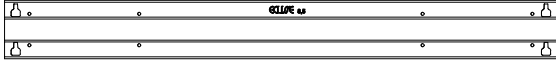

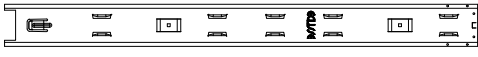
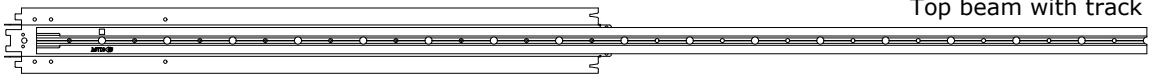
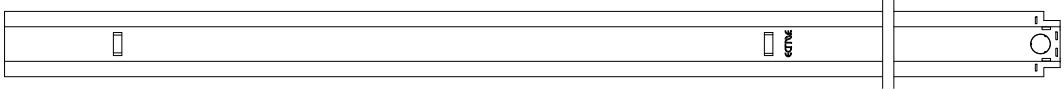

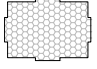
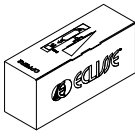
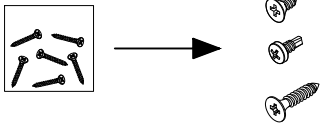
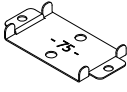
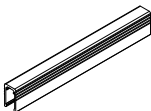
Plumb line



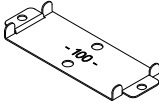

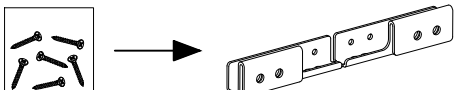

If you follow carefully these instructions for the assembly and installation process your life will be easier!  
 A pair of trestles are very useful when assembling the frames.  
 Some parts may have sharp edges so use gloves and be careful when handling the parts.

All Eclisse products are fully inspected and tested before they leave the factory.

## METAL FRAMEWORK-KIT CONTENT

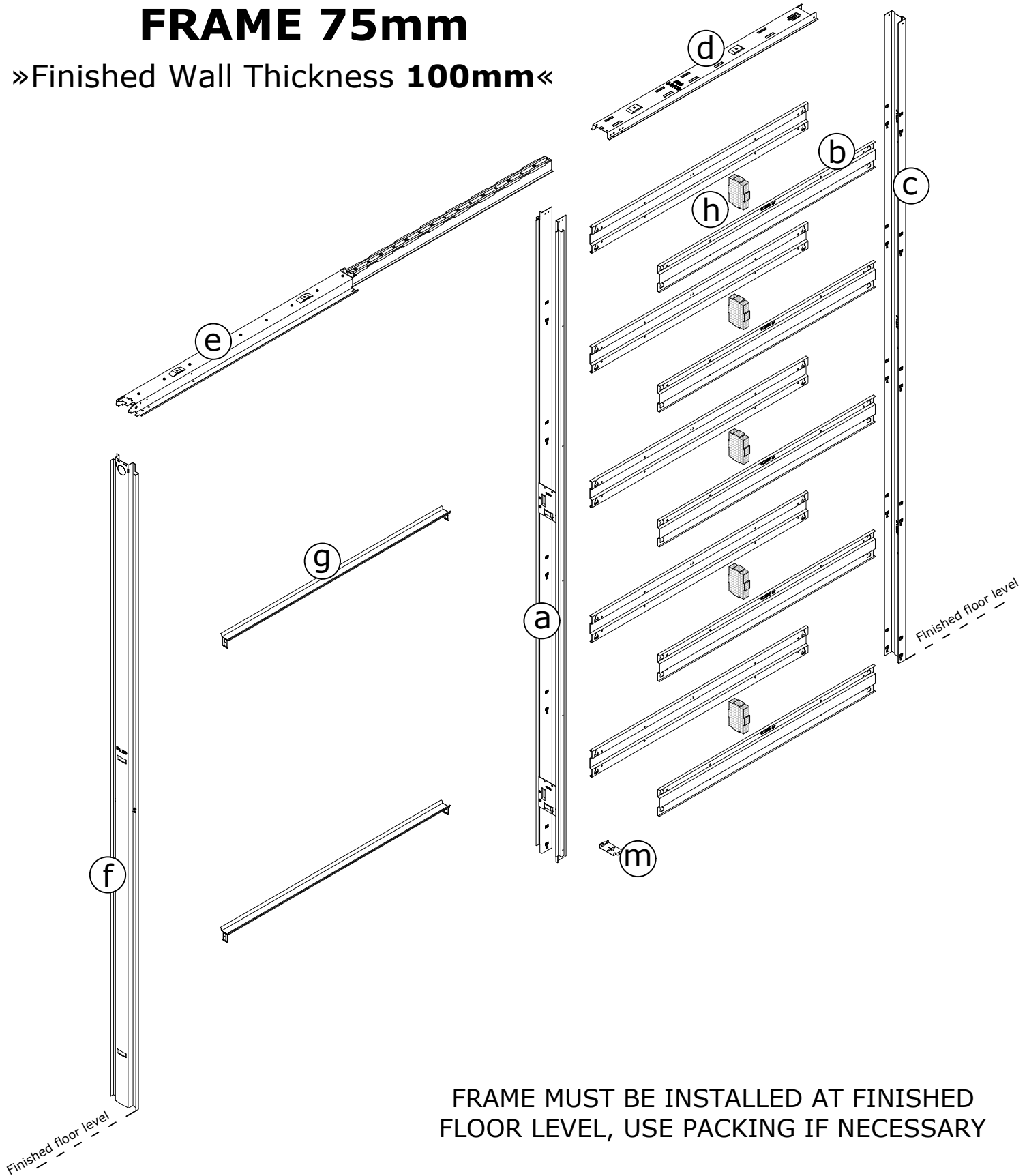
- (a) 1 x  Pocket entrance vertical
- (b) 10 x  Pocket horizontals
- (c) 1 x  Rear vertical
- (d) 1 x  Pocket header
- (e) 1 x  Top beam with track
- (f) 1 x  Metal door post
- (g) 2 x  Bracers
- (h) 5 x  Polystyrene spacers
- (i) 1 x  Door mounting kit
- (l) 1 x  Pack of screws  
 11 x AFL TPS 4,2x9,5 ZNB  
 2 x AFR TCB 3,5x9,5 ZNB  
 72 x AFL TPS 3,9x19
- (m) 1 x  Pocket to floor bracket for 75mm frame (100mm finished wall thickness)
- (o) 1 x  Anti-warp profile

## 125 mm FINISHED WALL-BRACKETS

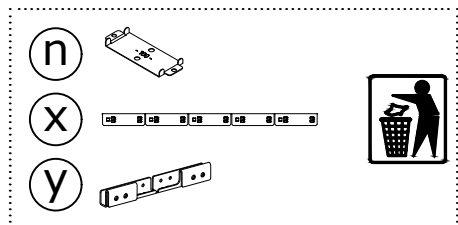
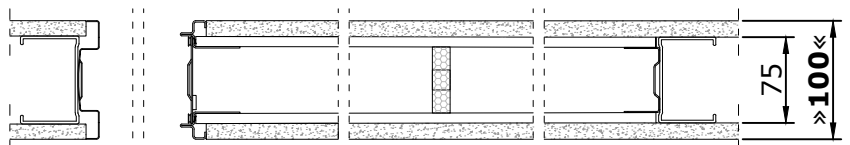
- (n) 1 x  Pocket to floor bracket for 100mm frame (125mm finished wall thickness)
- (x) 1 x  Rear vertical (c) brackets for 125 mm finished wall thickness
- (y) 1 x  +  5 x AFL TPS 4,2x9,5 ZNB  
 Pocket header brackets for 125 mm finished wall thickness

# FRAME 75mm

»Finished Wall Thickness **100mm**«



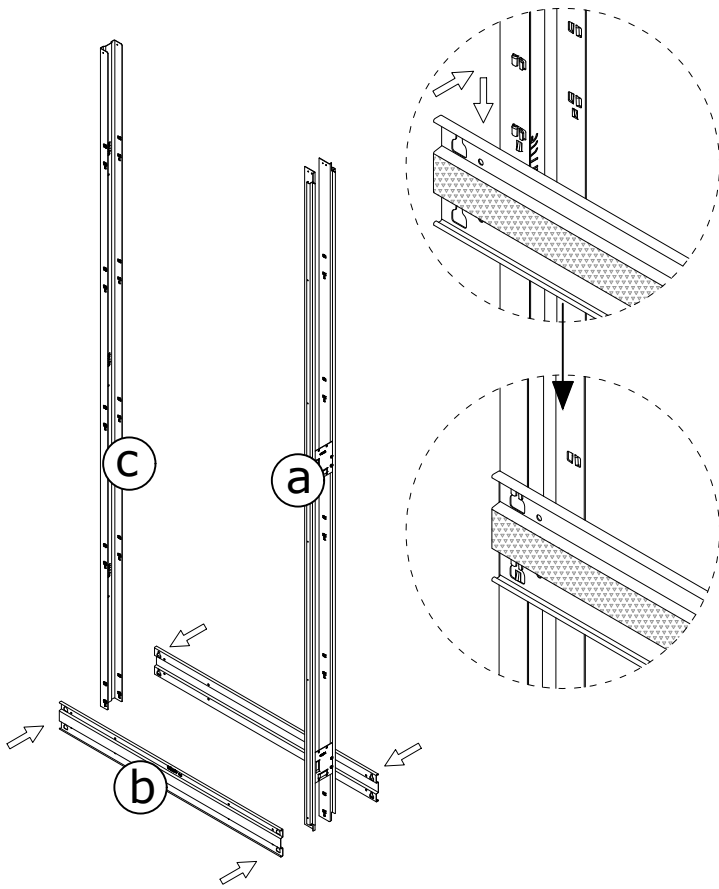
FRAME MUST BE INSTALLED AT FINISHED FLOOR LEVEL, USE PACKING IF NECESSARY



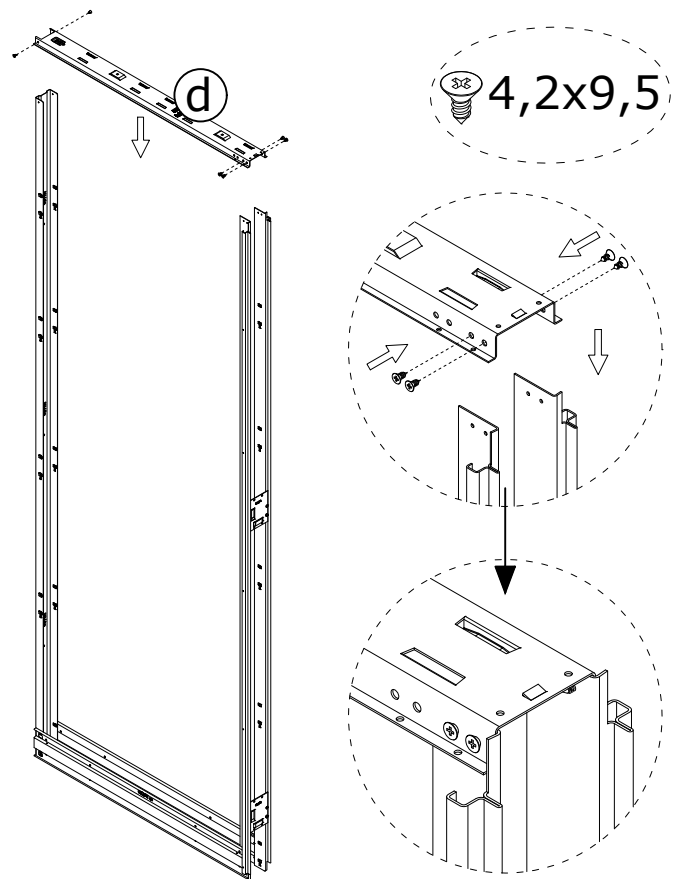
## Frame 75mm

»Finished Wall Thickness 100mm«

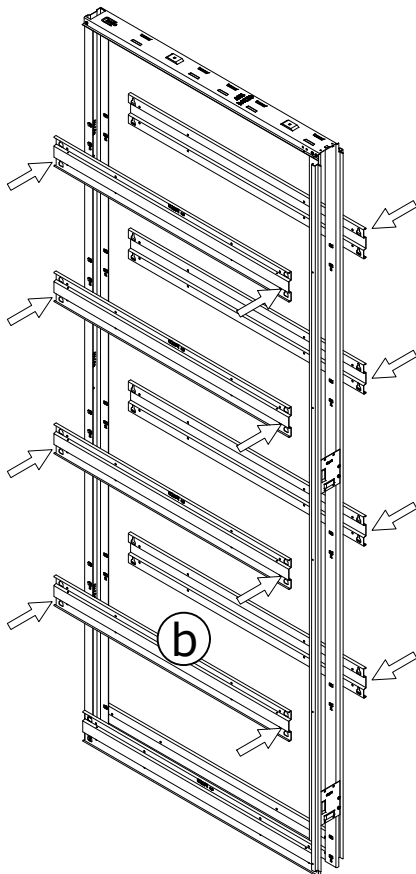
**STEP 1:** Assemble the 2 lower horizontals (b), locking them into position securely on the central verticals (a) and rear vertical (c) at the pre-determined position. Make sure they are firmly locked in place.



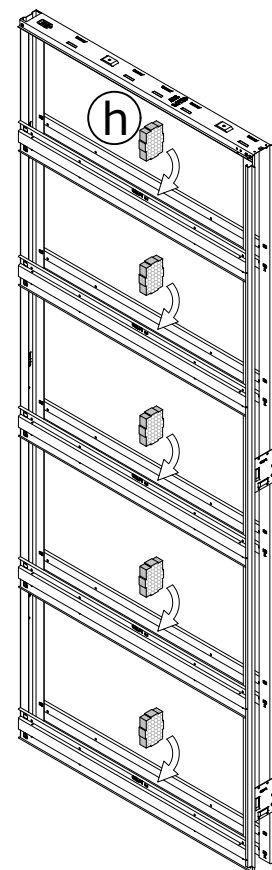
**STEP 2:** Assemble the pocket header (d) to the central verticals (a) and rear vertical (c) using 4.2x9.5 mm screws (l).



**STEP 3:** Assemble all the horizontals (b) locking them into position securely on the central verticals (a) and rear vertical (c) at the pre-determined position. Make sure they are firmly locked in place



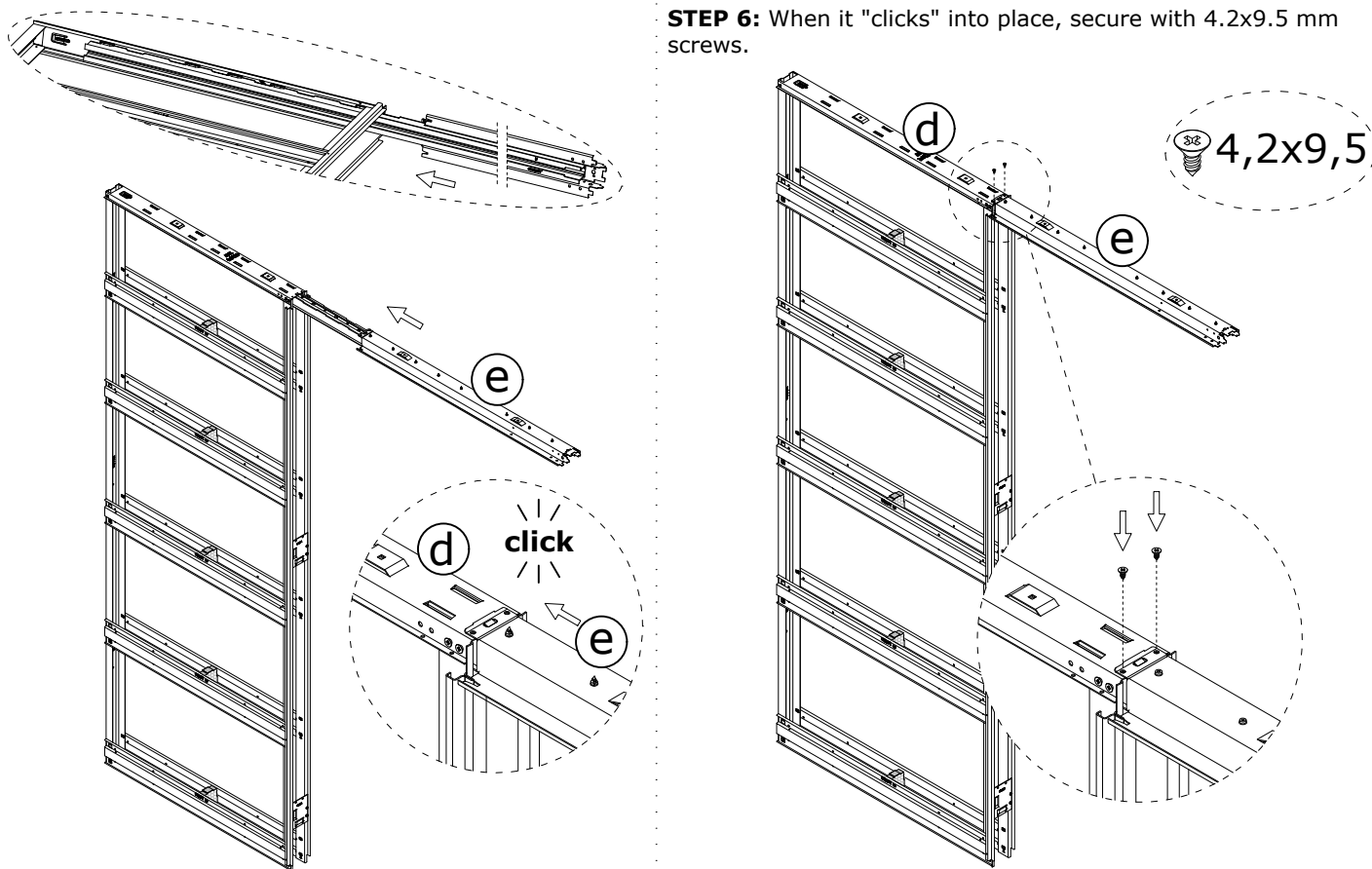
**STEP 4:** Insert the polystyrene spacers (h) in between the horizontals (b).



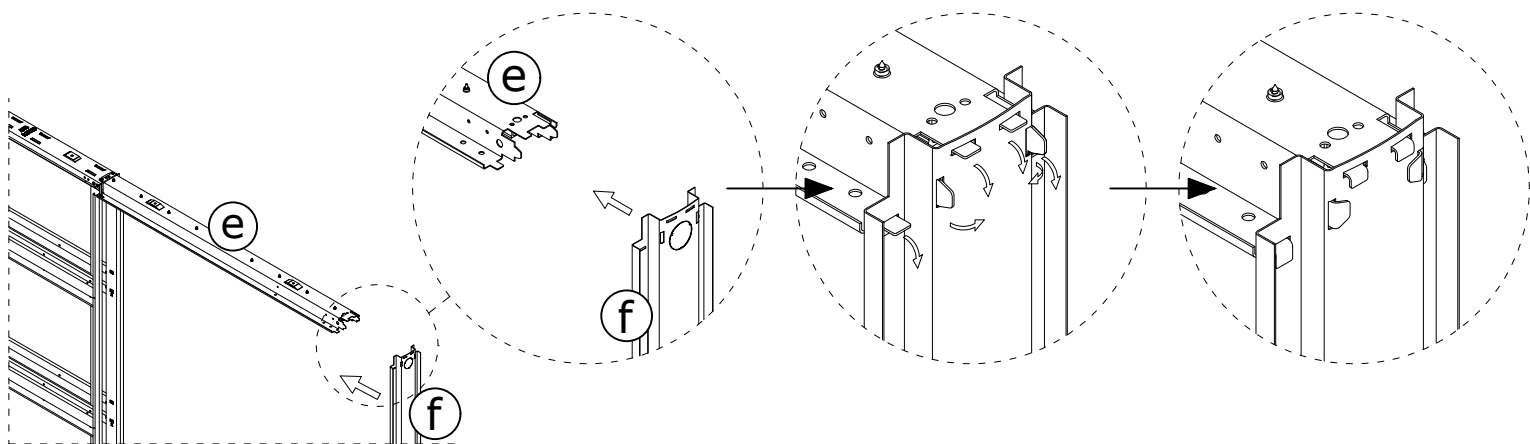
**STEP 5:** Insert the top beam with track (e) into the pocket header (d) using the bayonet system.

**Frame 75mm**  
 »Finished Wall Thickness 100mm«

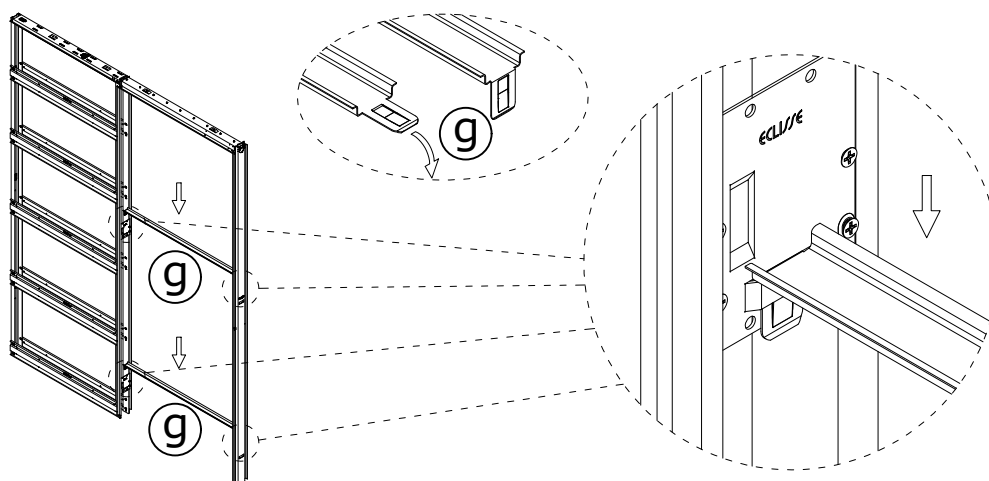
**STEP 6:** When it "clicks" into place, secure with 4.2x9.5 mm screws.



**STEP 7:** Insert the metal tongues at the end of the top beam (e) into the slots at the top of the metal door post (f). Bend the metal tongues using the hammer.

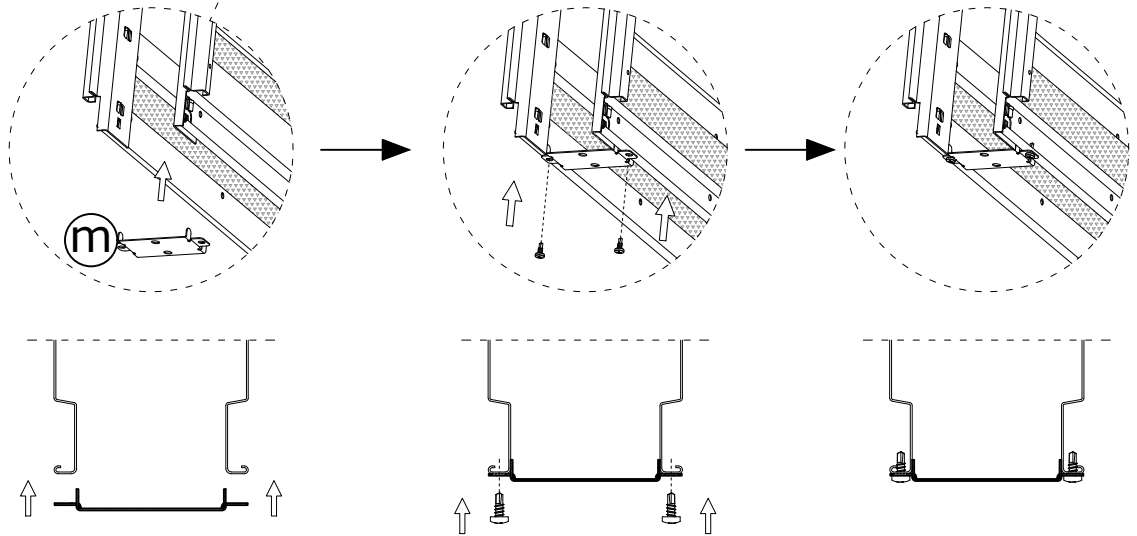
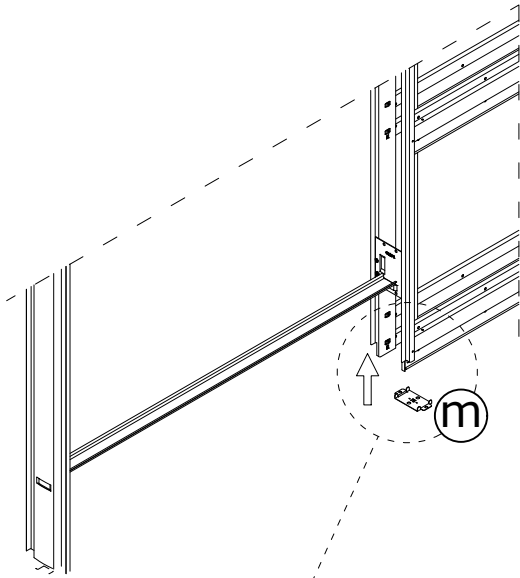
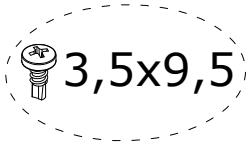


**STEP 8:** Bend the ends of the bracers (g) backwards through 90° and locate in the positions on the central vertical (a) and the door post (f).

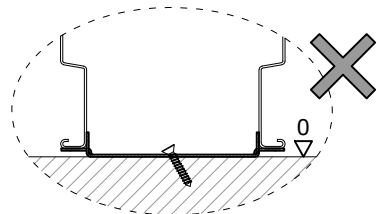
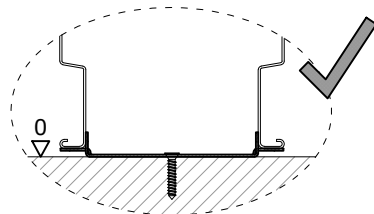
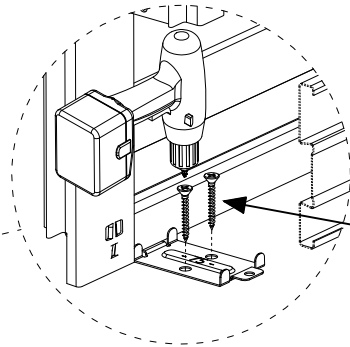
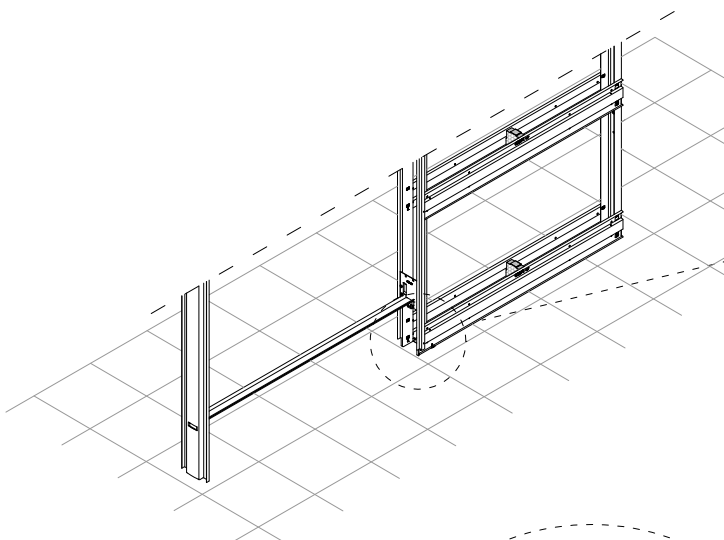


**STEP 9:** Assemble the pocket to floor bracket (m) on the horizontals as close to the central verticals as possible, using 3.5 x 9.5mm screws.

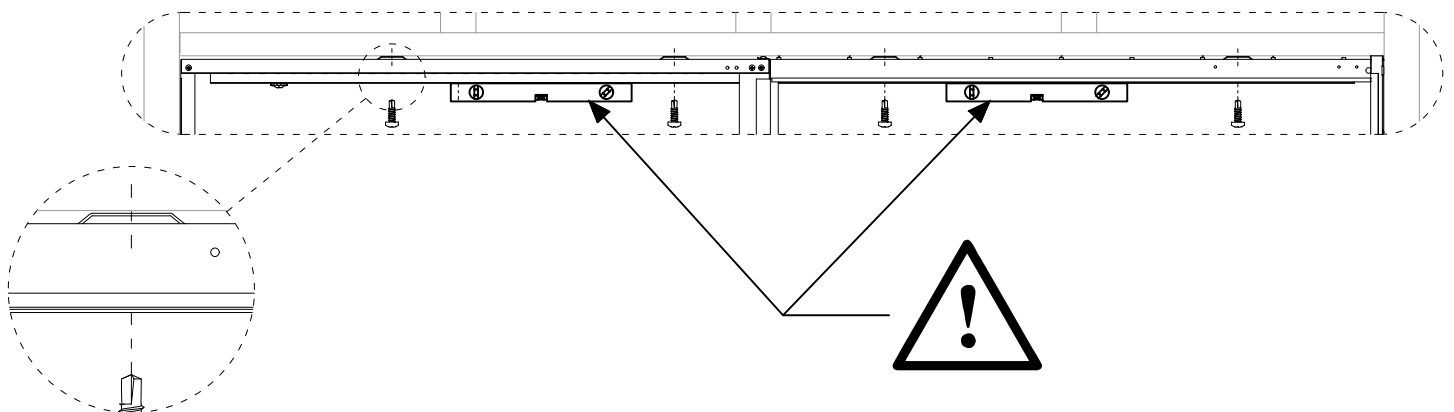
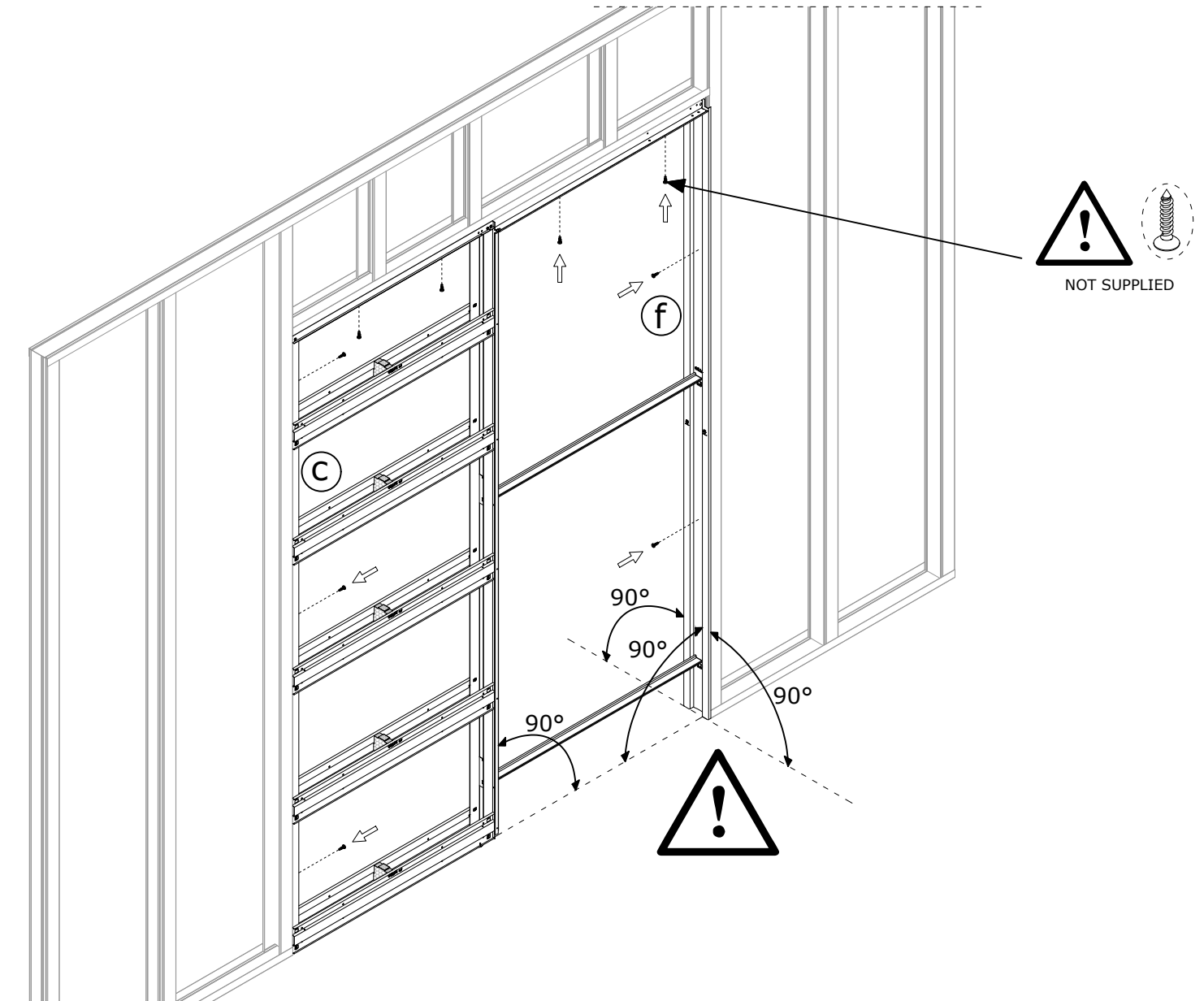
**Frame 75mm**  
 »Finished Wall Thickness 100mm«



**STEP 10:** Ground fixing



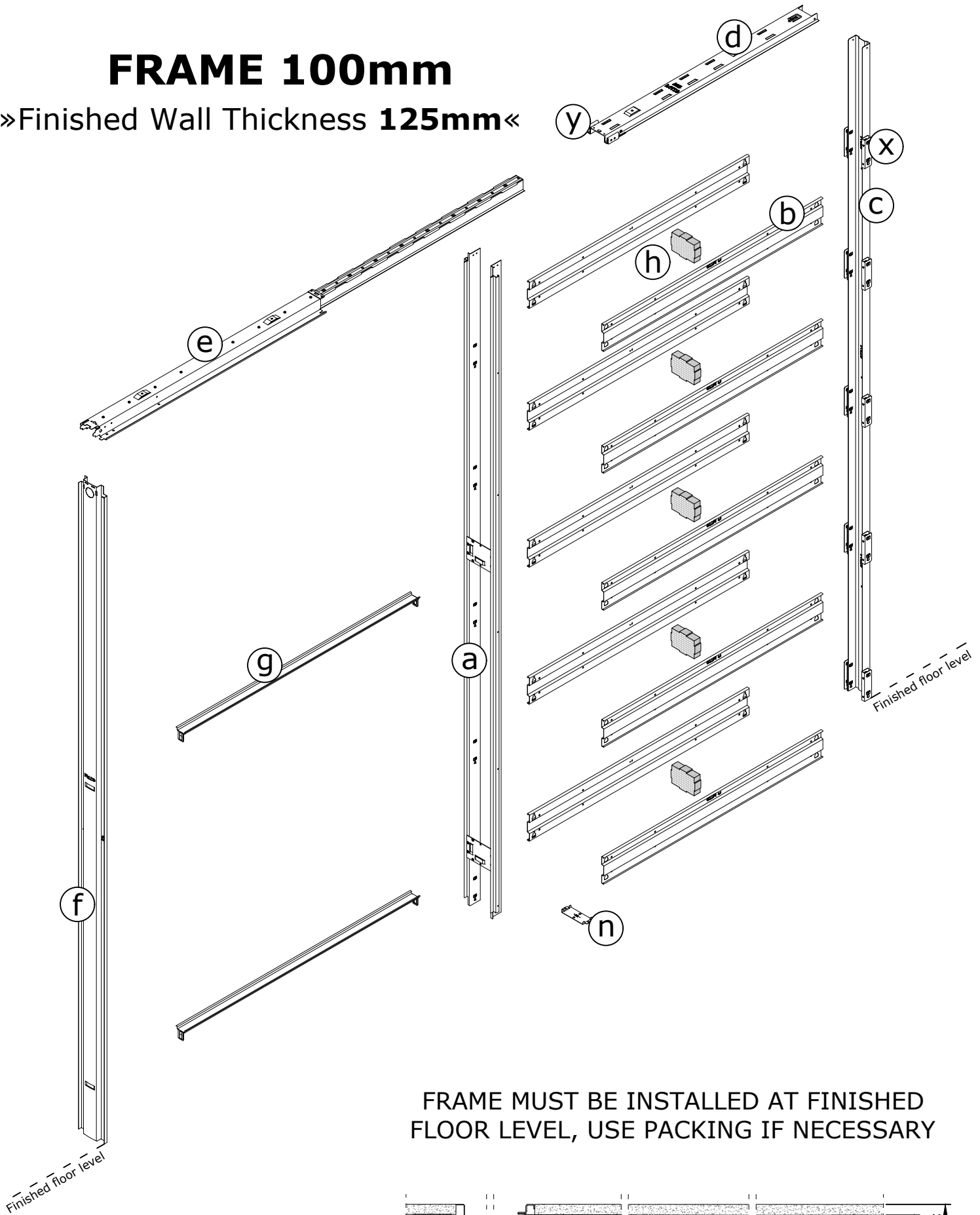
**STEP 11:** Insert the assembled framework into your prepared studwork (metal or wood) making sure it is installed at finished floor level, plumb and perfectly horizontal. Attach the frame to the studwork by screwing through the rear vertical (c), metal door post (f) and top beam with track (e) (use ONLY the largest holes so that the screw head goes through the track and locates the top beam). Screw the internal pocket-to-floor brackets to the floor.



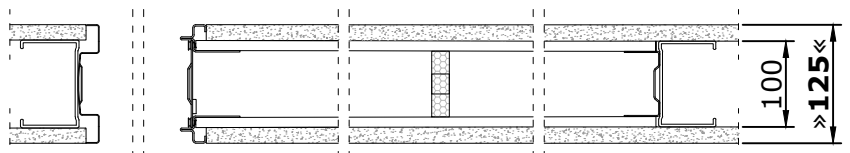
**Frame 100mm**  
 »Finished Wall Thickness 125mm«

# FRAME 100mm

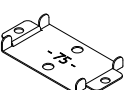
»Finished Wall Thickness 125mm«



FRAME MUST BE INSTALLED AT FINISHED FLOOR LEVEL, USE PACKING IF NECESSARY



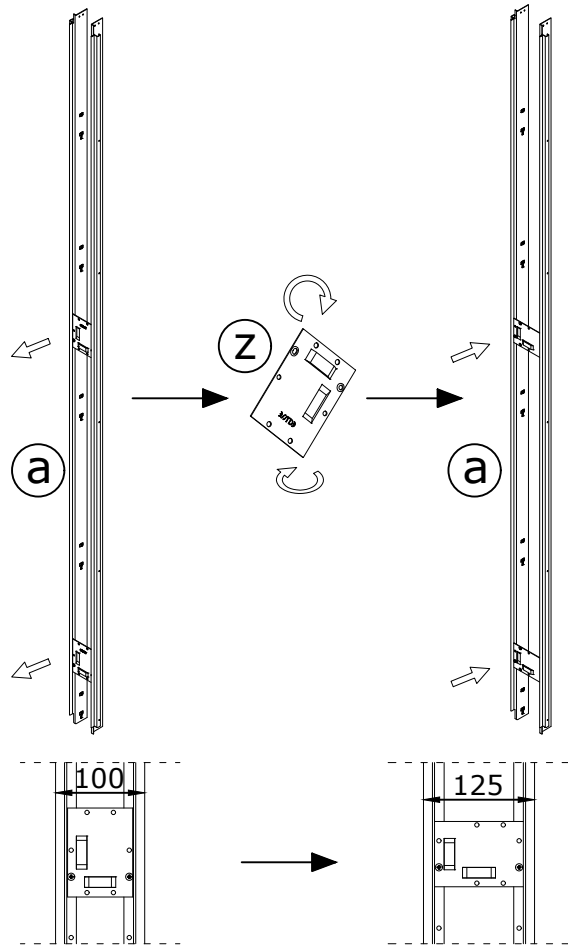
(m)





**STEP 1:** Unscrew, flip over and turn brackets (z) 90° holding the central verticals (a) together. Screw into place.

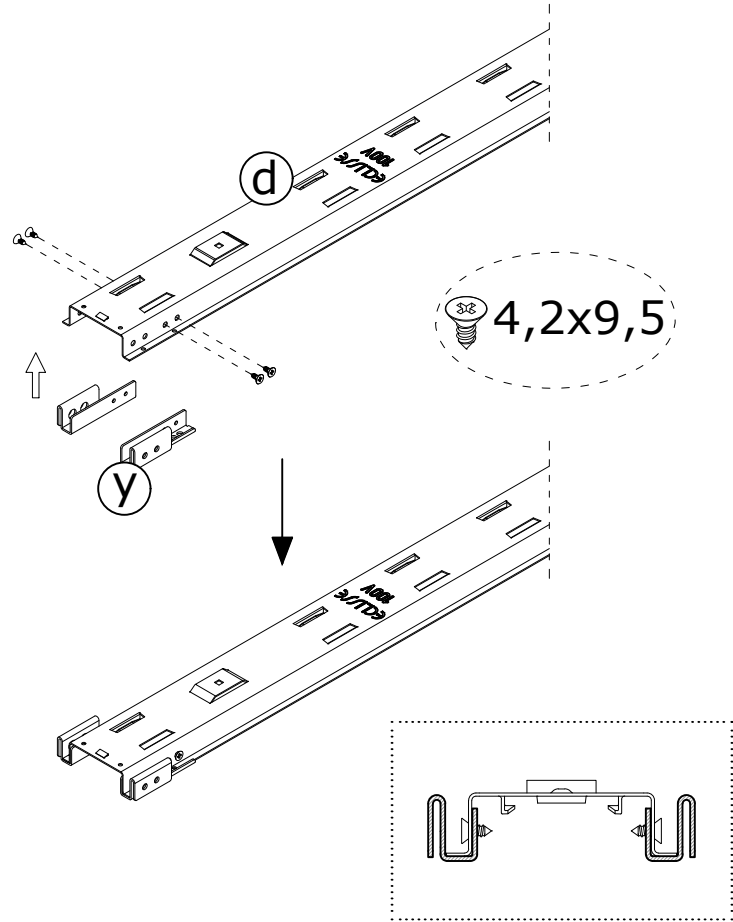
This widens the verticals for 100mm frame (125mm finished wall thickness)



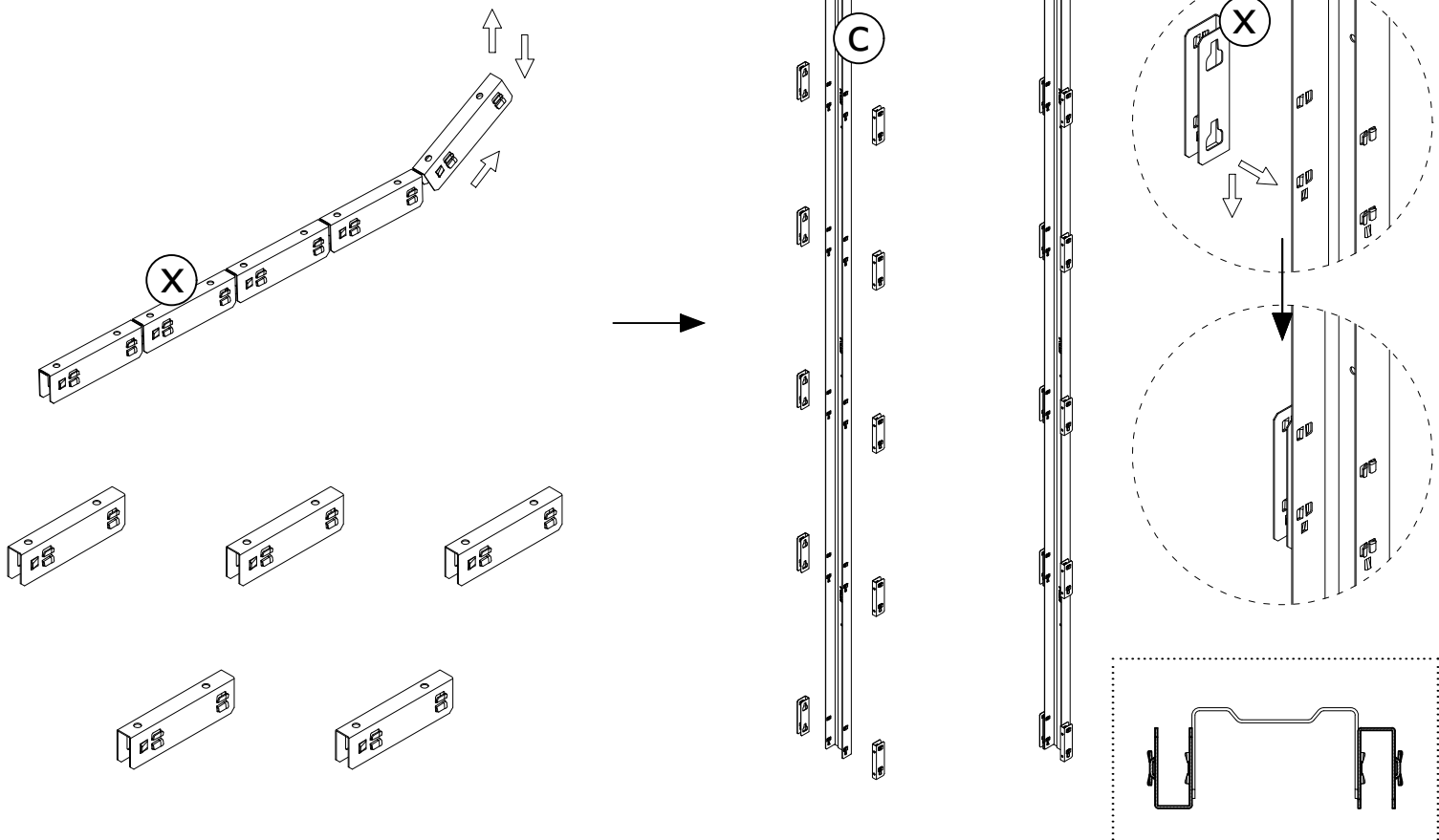
**Frame 100mm**

»Finished Wall Thickness 125mm«

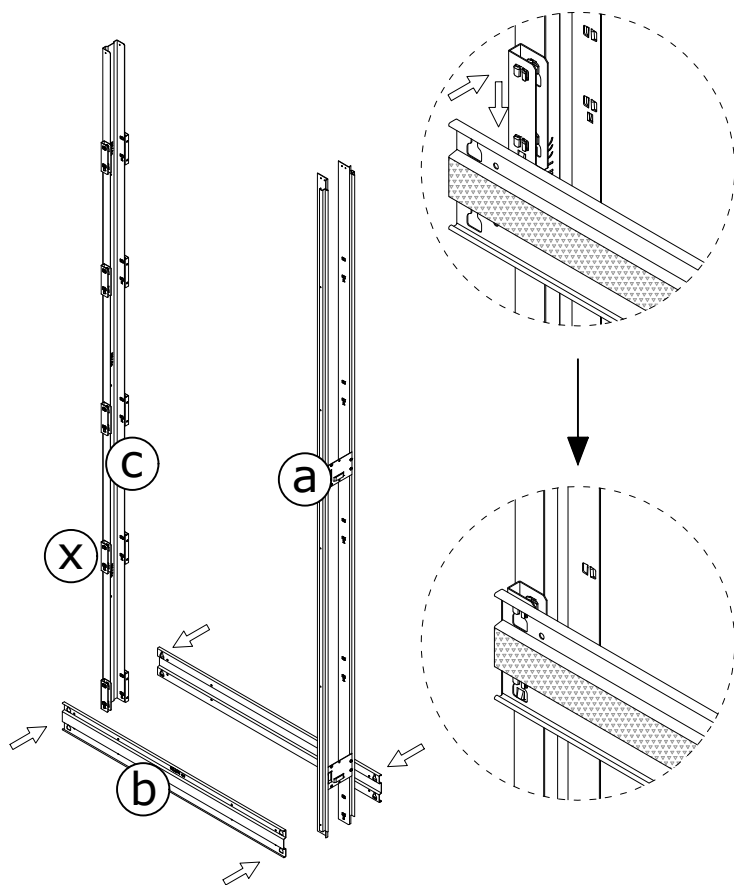
**STEP 2:** Attach the pocket header brackets 125 (y) to the pocket header (d) using 4.2x9.5 mm screws



**STEP 3:** Split the rear vertical brackets (x) and fix into their pre-cut positions on the rear vertical (c) using a hammer to locate.

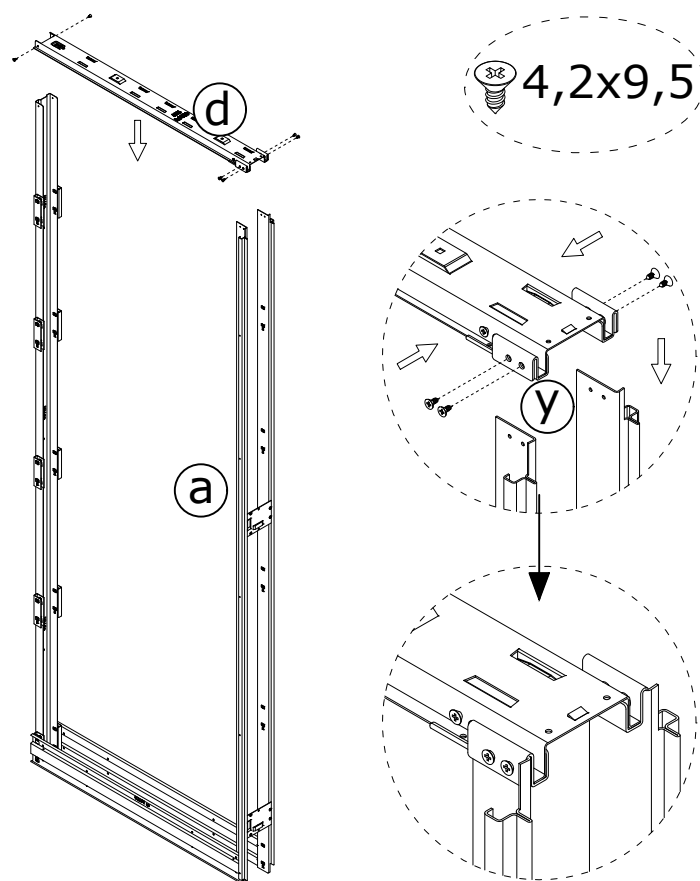


**STEP 4:** Assemble the 2 lower horizontals (b), locking them into position securely on the central verticals (a) and rear vertical (c) at the pre-determined position. Make sure they are firmly locked in place to (a) and (x).

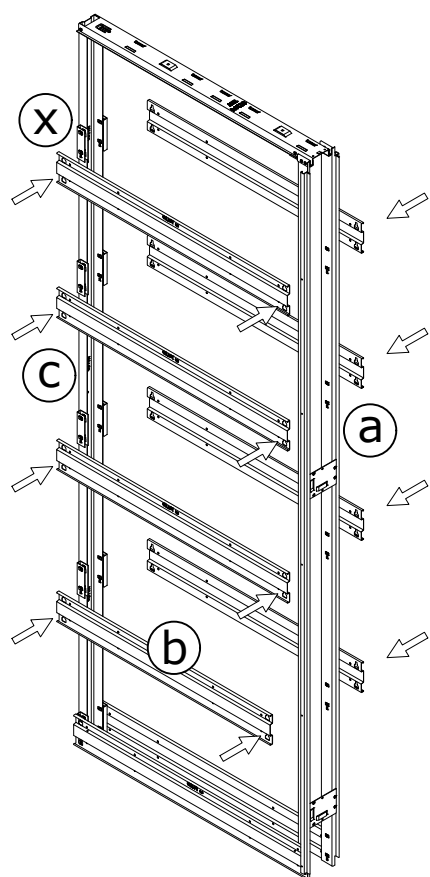


**Frame 100mm**  
»Finished Wall Thickness 125mm«

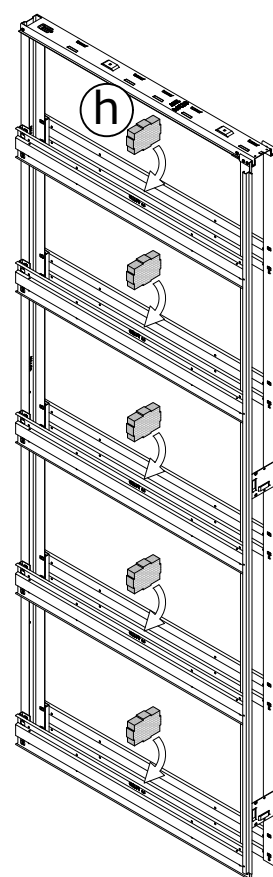
**STEP 5:** Assemble the pocket header (d) to the central verticals (a) and rear vertical (c) using 4.2x9.5 mm screws (l).



**STEP 6:** Assemble all the horizontals (b) locking them into position securely on the central verticals (a) and the rear vertical (c+x) at the pre-determined position. Make sure they are firmly locked in place



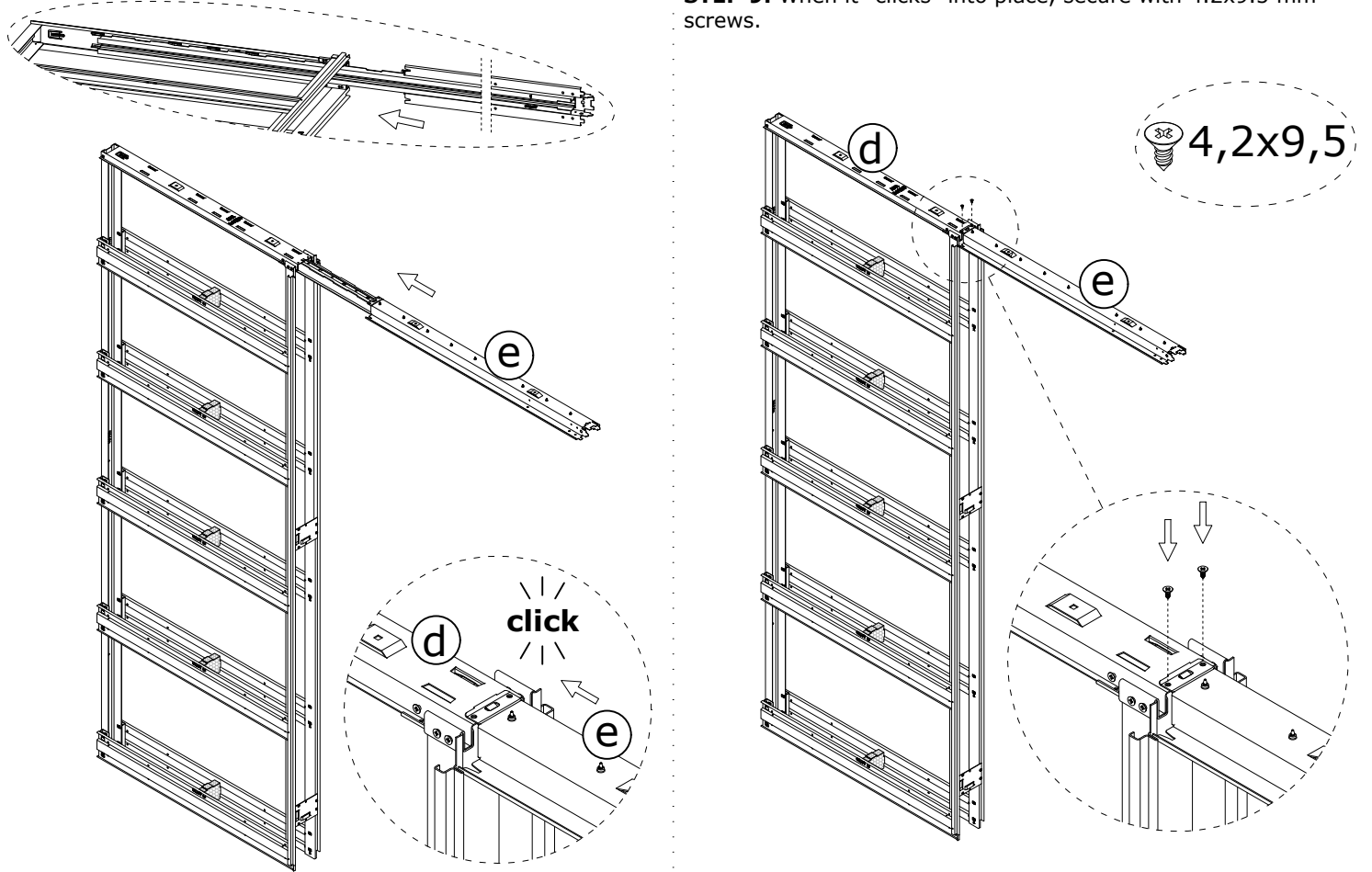
**STEP 7:** Insert the polystyrene spacers (h) in between the horizontals (b).



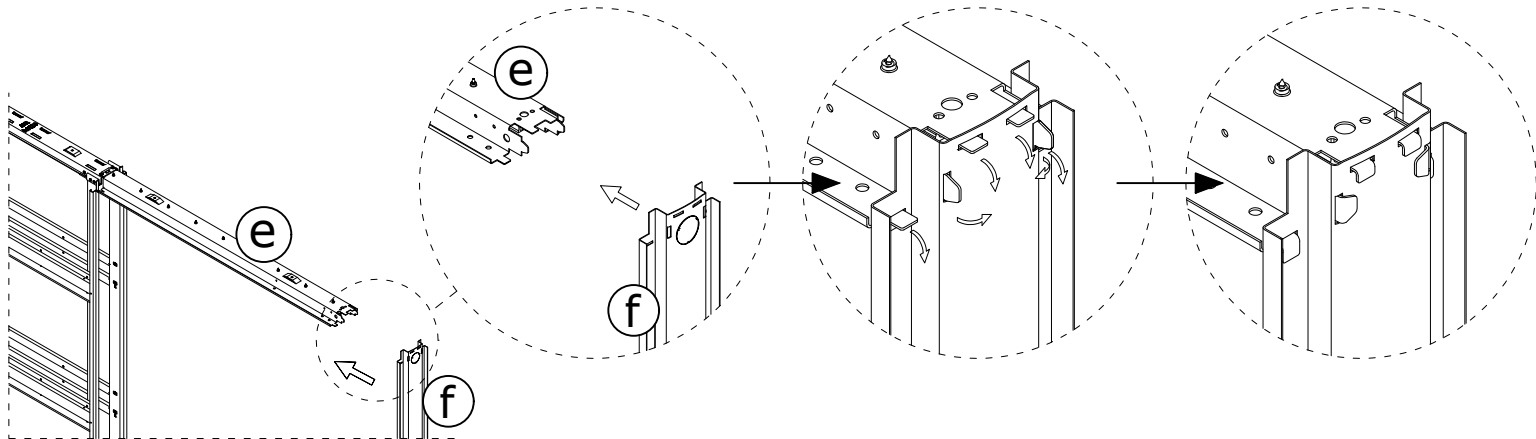
**STEP 8:** Insert the top beam with track (e) into the pocket header (d) using the bayonet system.

**Frame 100mm**  
 »Finished Wall Thickness 125mm«

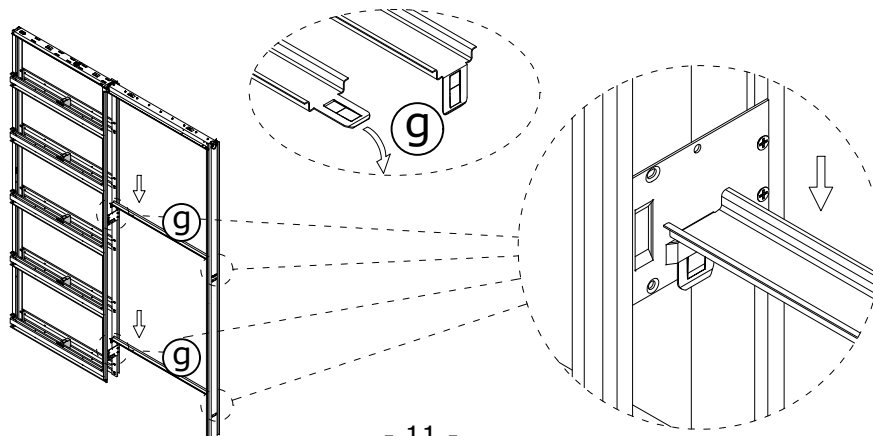
**STEP 9:** When it "clicks" into place, secure with 4.2x9.5 mm screws.



**STEP 10:** Insert the metal tongues at the end of the top beam (e) into the slots at the top of the metal door post (f). Bend the metal tongues using the hammer.

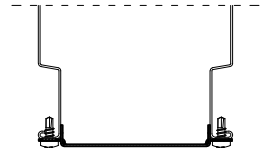
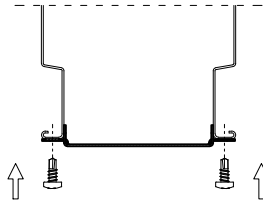
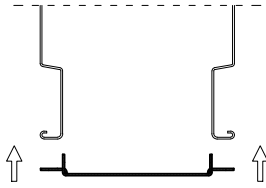
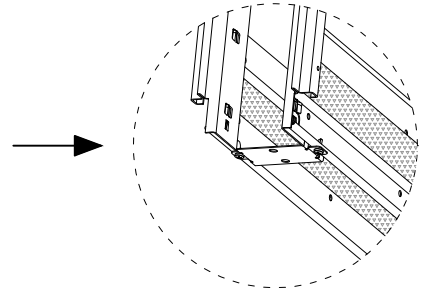
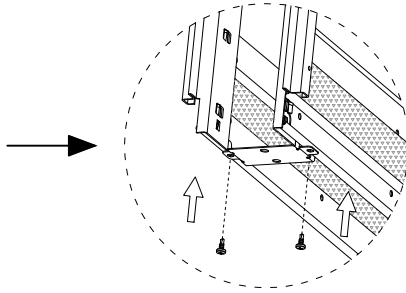
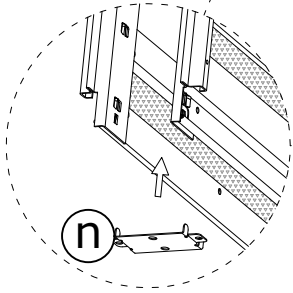
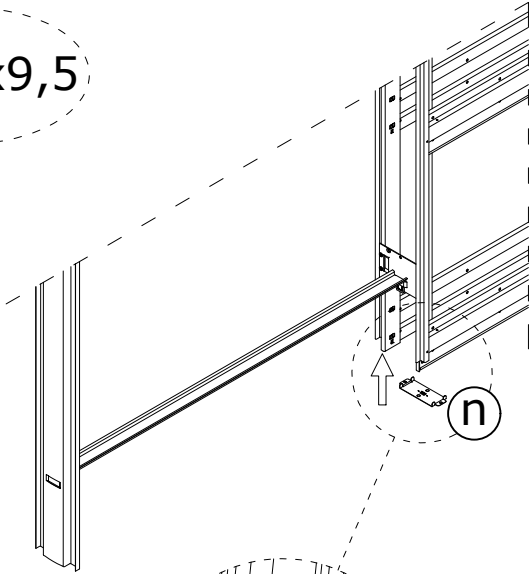
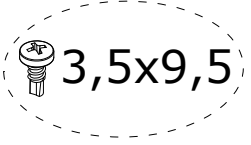


**STEP 11:** Bend the ends of the bracers (g) backwards through 90° and locate in the positions on the central verticals (a) and the door post (f).

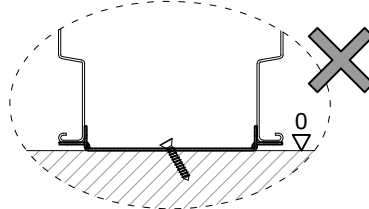
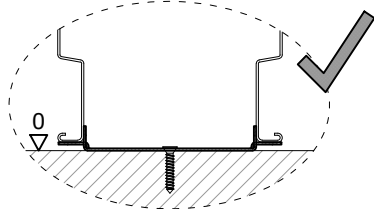
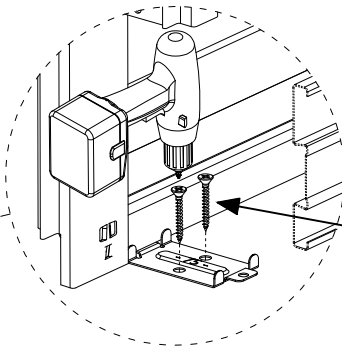
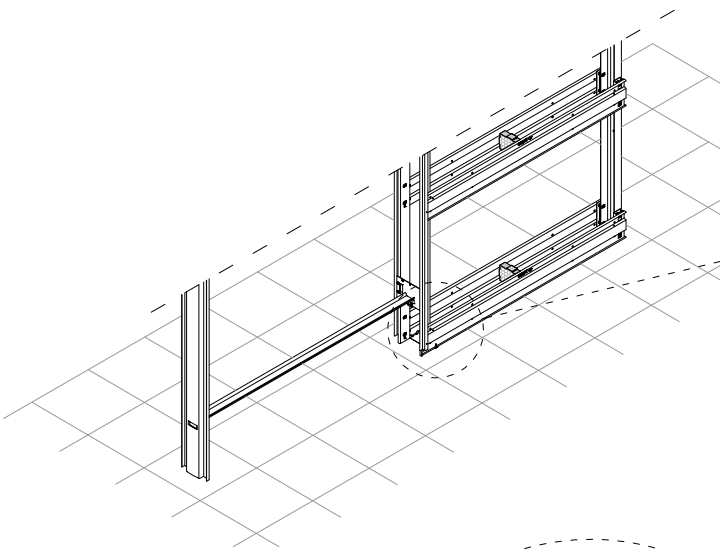


**STEP 12:** Assemble the bottom connection (n) on the horizontals, using 3.5x9.5 mm screws

**Frame 100mm**  
»Finished Wall Thickness 125mm«

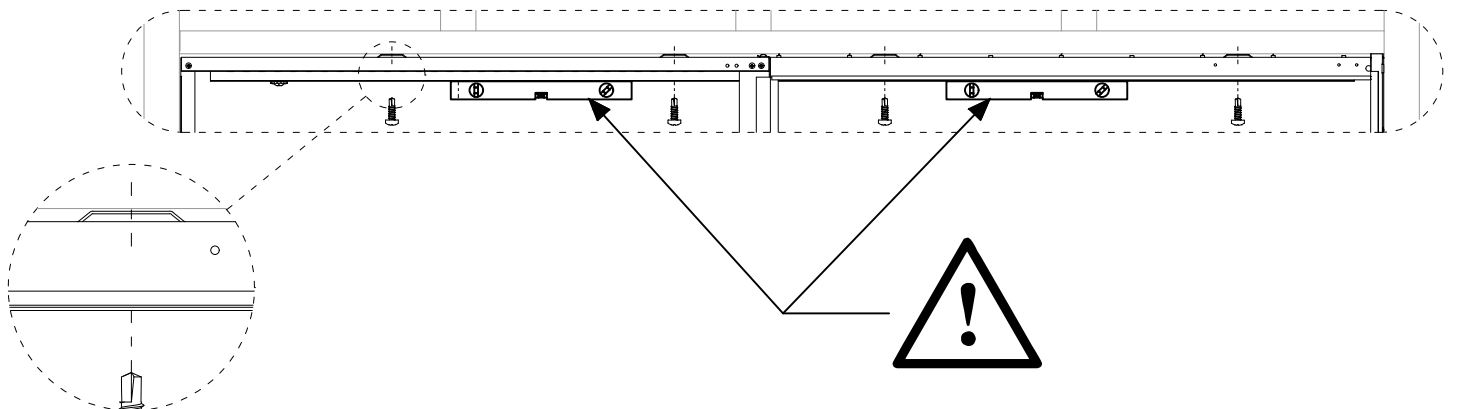
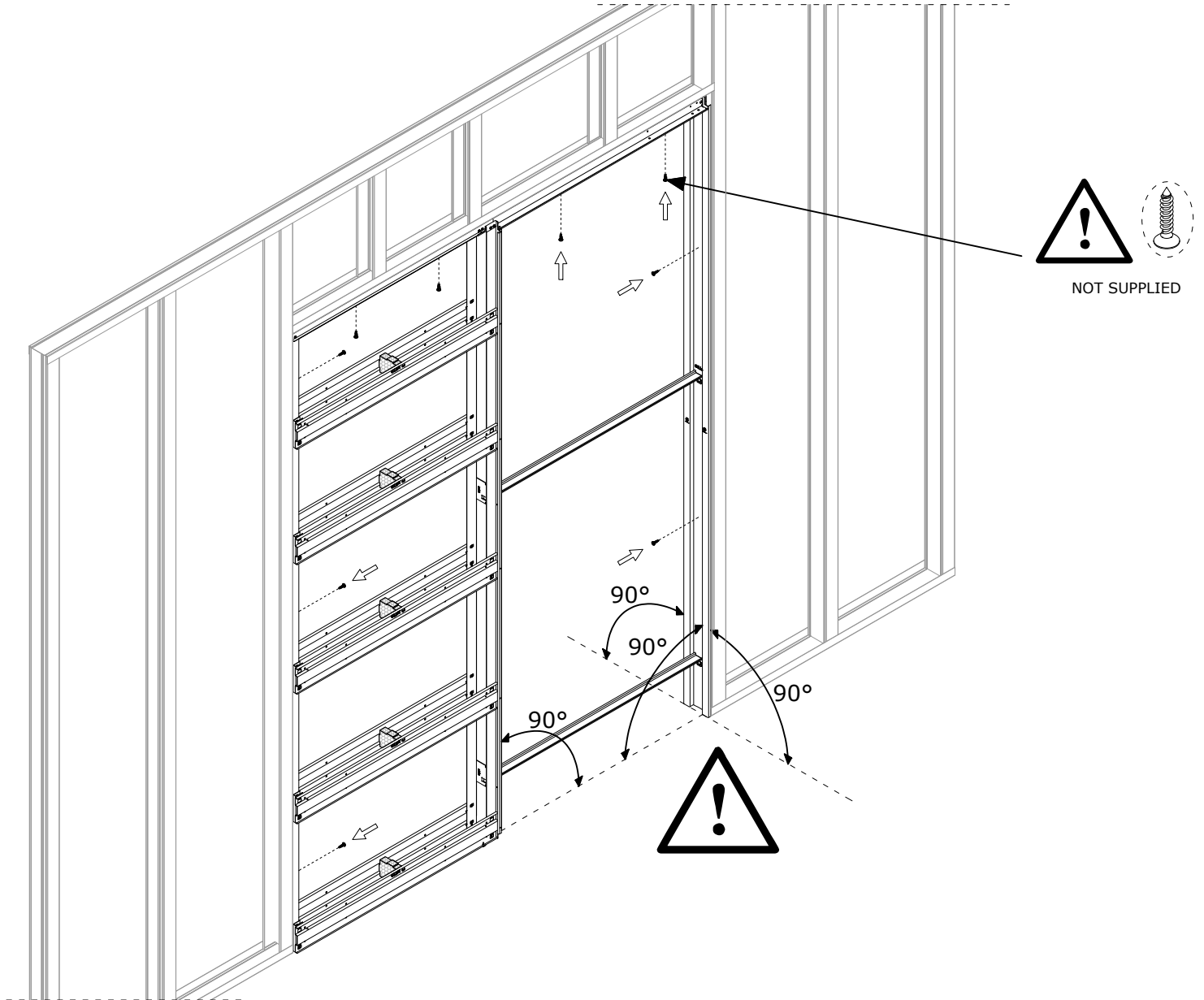


**STEP 13:** Ground fixing



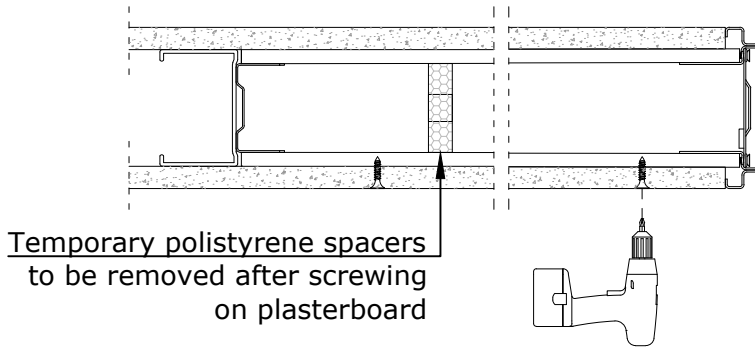
**STEP 14:** Insert the assembled framework into your prepared studwork (metal or wood) making sure it is installed at finished floor level, plumb perfectly horizontal. Attach the frame to the studwork by screwing through the rear vertical (c), metal door post (f) and top beam with track (e) (use ONLY the largest holes so that the screw head goes through the track and locates the top beam). Screw the internal pocket-to-floor brackets to the floor.

**Frame 100mm**  
»Finished Wall Thickness 125mm«



# FIXING THE PLASTERBOARD TO THE FRAME

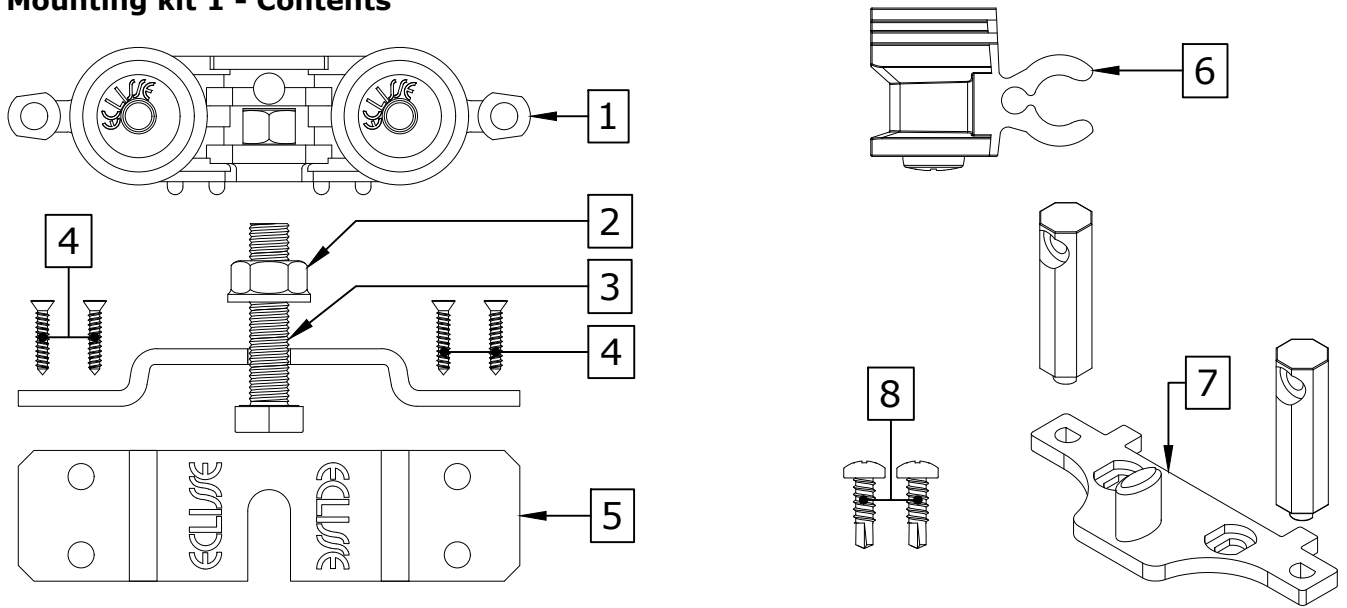
The plasterboard can be attached at any time after the frame installation



Using ONLY the black 3,9x19 mm screws provided, attach the plasterboard and Pocket horizontals (b) (2 to each side as shown)

## INSTALLING THE DOOR

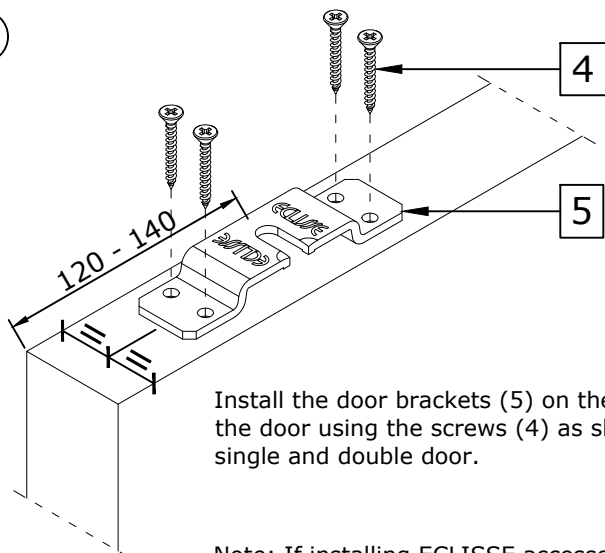
Door Mounting kit 1 - Contents



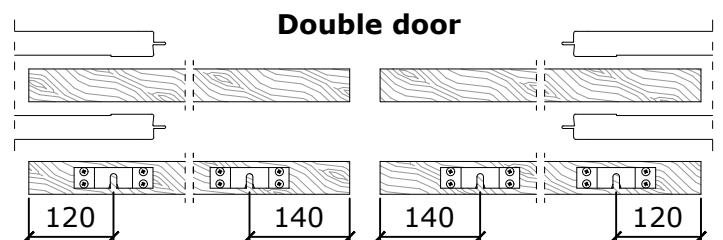
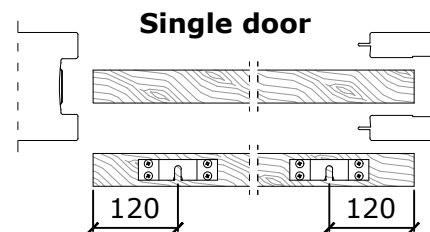
- |                           |                                       |  |
|---------------------------|---------------------------------------|--|
| <b>1</b> Runners (2 pcs)  | <b>4</b> Screws (8 pcs)               | <b>7</b> Door guide with posts (1 pcs) |
| <b>2</b> Lock nut (2 pcs) | <b>5</b> Door bracket (2 pcs)         | <b>8</b> Self-drilling screws (2 pcs)  |
| <b>3</b> Bolt (2 pcs)     | <b>6</b> Adjustable door stop (1 pcs) |  |

## INSTALLING THE DOOR - PHASES:

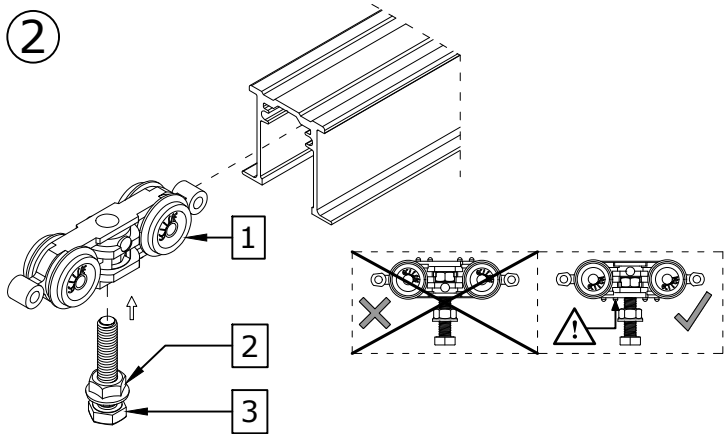
①



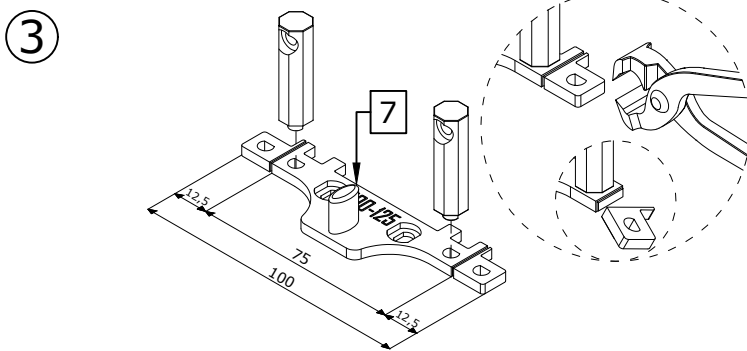
Install the door brackets (5) on the top of the door using the screws (4) as shown for single and double door.



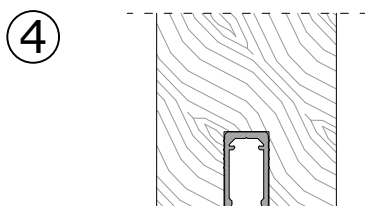
Note: If installing ECLISSE accessories, please refer to accessory instructions for more information regarding bracket positioning



Assemble both runners (1), using the lock nuts (2) and bolts (3) as shown and insert into the overhead track at the doorpost end.



Only if you have a 100 mm finished wall thickness then you need to break off the ends of the guide base (7). Insert the posts into the holes on the door guide and attach to the frame at the pocket entrance at finished floor level using the self-drilling screws (8).



Cut the anti-warp profile (o) to 10 mm longer than the door width. Route a channel 10,3x17 mm into the bottom of the door from the rear of the door to the 5 mm from the front edge of the door. Using a small amount of silicon insert the anti-warp profile into the channel. It should protrude 15 mm at the rear of the door.

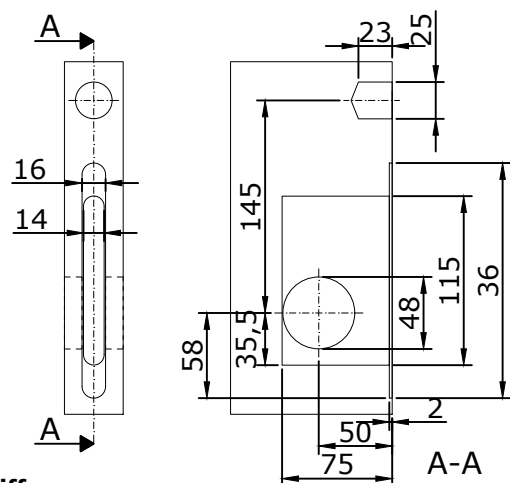
5

ECLISSE sliding door furniture can be supplied as:

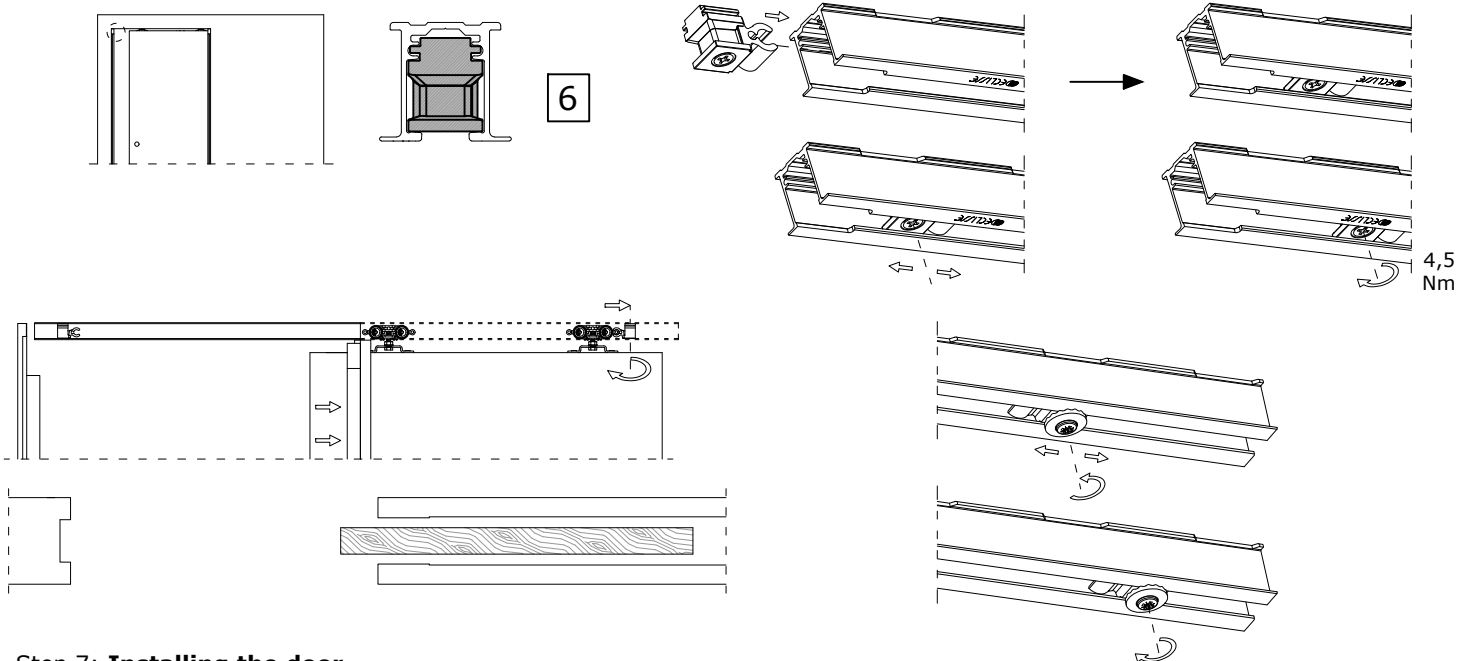
- bathroom lock;
- lock and key;
- simple recessed discs.

For the bathroom lock and lock and key the door should be prepared as shown.

**NOTE : Handle dimensions may differ**



6 **THE 2 ADJUSTABLE DOOR STOPS:** Eclipse srl pre-adjust the door stop for standard installation. The installer has to make regulations, verify door stop fixing and complete sliding of the runners so that the door passage does not affect people's security, door panel and accessories.



**Step 7: Installing the door**

Hook the door onto the runners using the door brackets fixed to the top of the door. Insert the anti-warp profile over the door guide and slide into the pocket. There is one adjustable door stop already installed 70 mm from the rear of the track. This can be adjusted as required even after the plasterboard is fixed thanks to the extractable track. The door can be adjusted to slide completely back into the pocket however, should you decide to do this we cannot be held responsible for any damage to persons or property as a consequence of this adjustment.

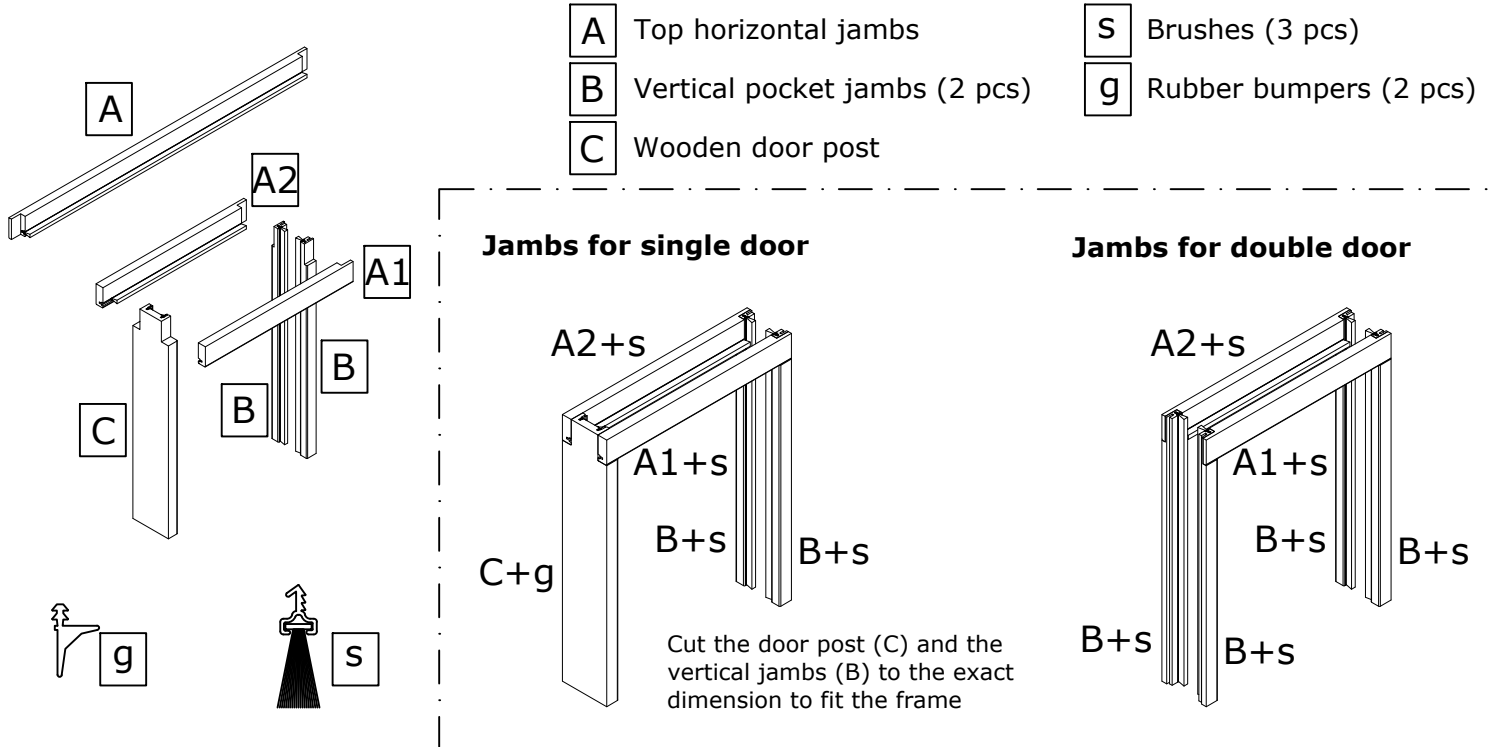
**Step 8: Adjusting the door**

**Important:** The door needs to be perfectly level and perfectly vertical in order to run correctly.

Loosen the lock nut (part 3) with a 13mm spanner and adjust the bolt (part 5) of each runner as necessary.

Don't forget to lock tightly into place with the lock nut (part 3).

# INSTALLING THE JAMBS AND DOOR POST



## INSTALLING THE JAMBS AND DOOR POST - PHASES:

**1**

**FOR SINGLE DOOR ONLY**

Place the wooden door post (C) into position and drill 4 pairs of holes equidistant along its length through the recess for the rubber bumpers and through the metal door post. Countersink these holes and screw the wooden doorpost into place. Detach the rubber bumpers and insert each length into the recess.

**2**

Trim the lower position of the vertical pocket jamb (B) to accommodate the guide and attach to both sides of the pocket entrance using 4/5 blobs of silicon.

45÷50

**3**

The top horizontal jamb (A) need to be cut to size. Note the rebate on both ends is used to match the top of each of the vertical pocket jambs (B). Fix into place using silicon or if preferred pin or screw into place.