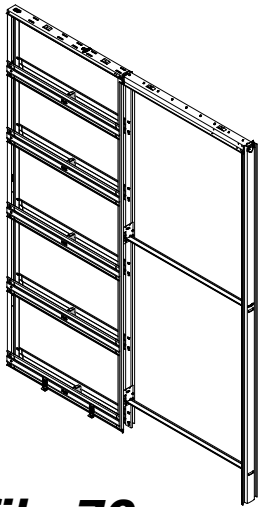


ASSEMBLY AND INSTALLATION

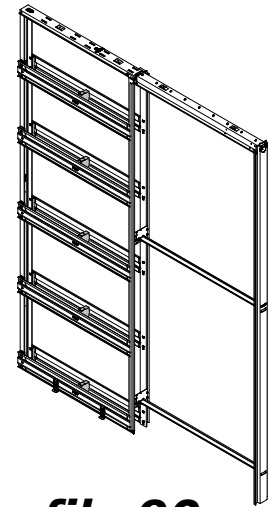
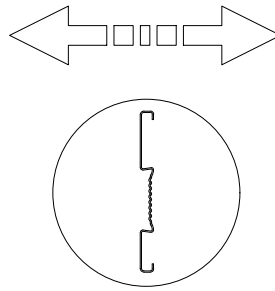
Most Important! This framework can be assembled to suit a 95 mm finished wall thickness (70 mm studwork) or a 115 mm finished wall thickness (90 mm studwork)... HOWEVER ... the supplied jamb kit is specific to either 95 mm or 115 mm BUT NOT BOTH! so you must establish if your jamb kit is for a 95 mm or 115 mm and assemble the frame accordingly (see sticker on jamb box or delivery document).

For **95 mm** finished walls start on page 3 and for **115 mm** finished walls start on page 8



Profile 70

»Finished Wall Thickness **95 mm**«

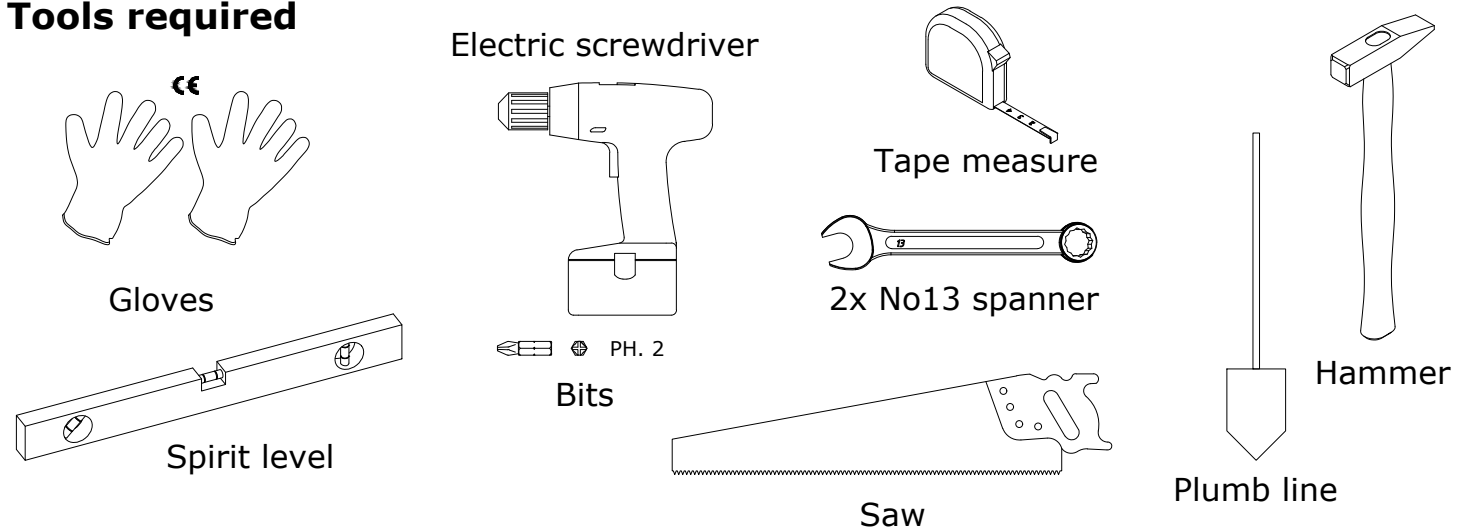


Profile 90

»Finished Wall Thickness **115 mm**«

Note: To achieve a 115 mm finished wall thickness using 2 layers of plasterboard using the 115 mm jamb kit, follow the frame assembly for "Profile 70 mm" and use an additional layer of 9,5 mm plasterboard each side.



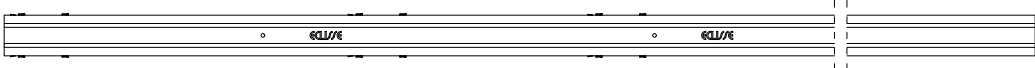
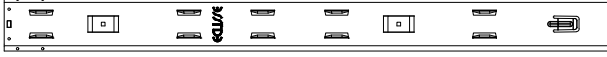
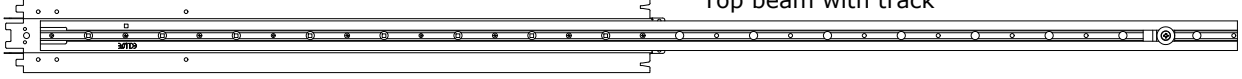
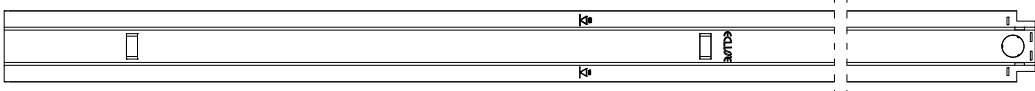
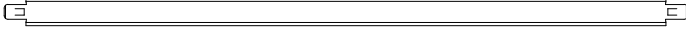
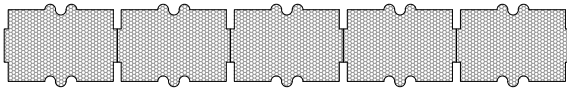
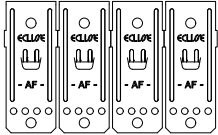

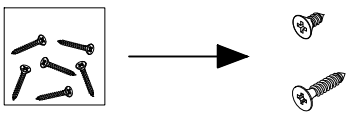
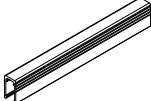
Tools required




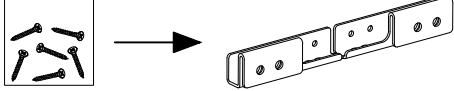

If you follow carefully these instructions for the assembly and installation process your life will be easier!
 A pair of trestles are very useful when assembling the frames.
 Some parts may have sharp edges so use gloves and be careful when handling the parts.

All Eclisse products are fully inspected and tested before they leave the factory.

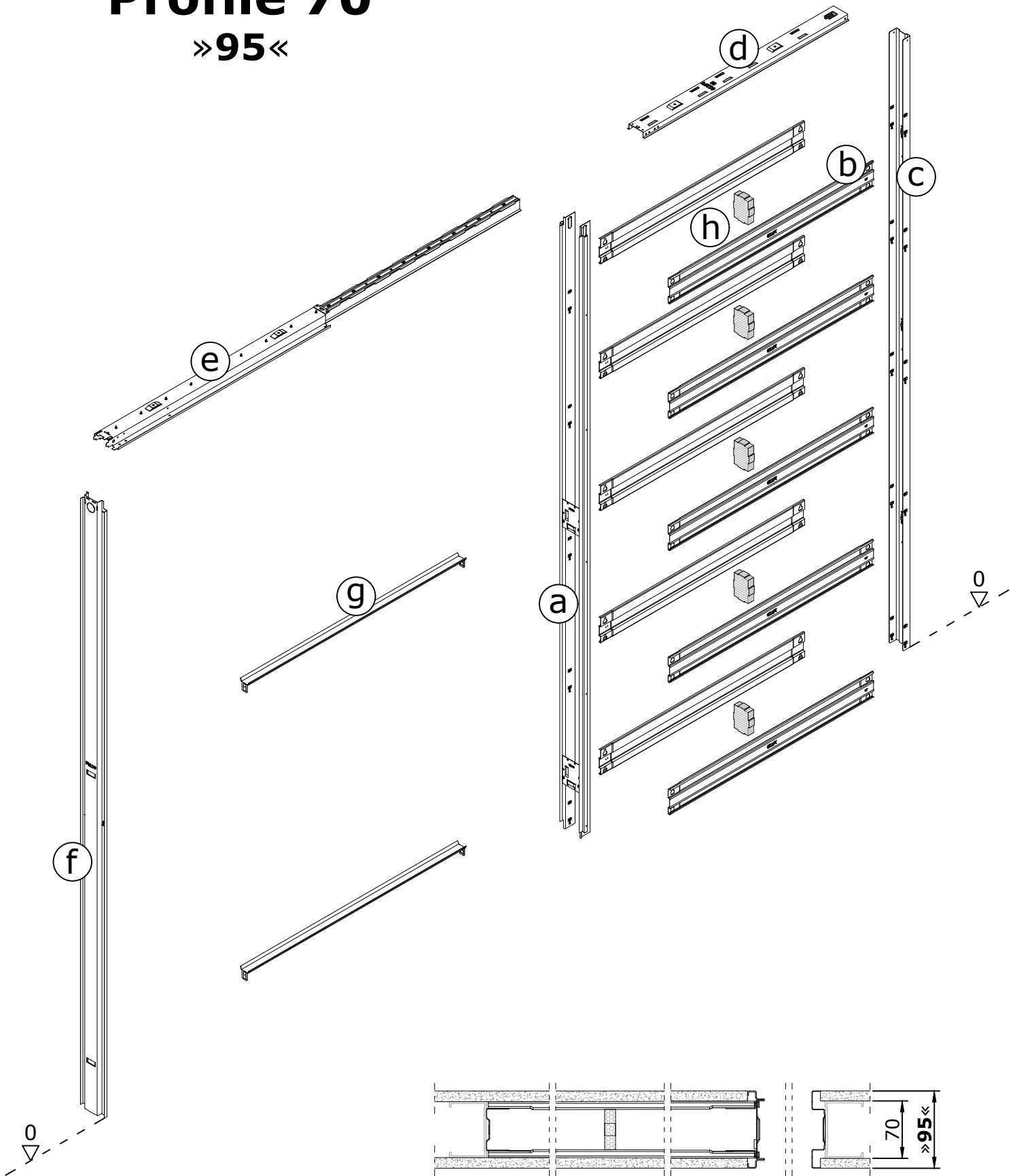
METAL FRAMEWORK-KIT CONTENT

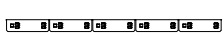

- a 1 x  Pocket entrance vertical
- b 10 x  Pocket horizontals
- c 1 x  Rear vertical
- d 1 x  Pocket header
- e 1 x  Top beam with track
- f 1 x  Metal door post
- g 2 x  Bracers
- h 1 x  Polystyrene spacers
- i 1 x  Pocket to floor brackets
- l 1 x  Door mounting kit
(Door hanging gear and instructions inside this box)
- m 1 x  Pack of screws
 9 x AFL TPS 4,2x9,5 ZNB
 72 x TPS AFL 3,9 X 19
- o 1 x  Anti-warp profile

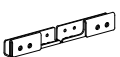
115 mm FINISHED WALL-BRACKETS

- x 1 x  Rear vertical extension brackets.
(for 115 mm finished wall thickness only)
- y 1 x  +  5 x AFL TPS 4,2x9,5 ZNB
 Pocket header extension brackets.
(for 115 mm finished wall thickness only)

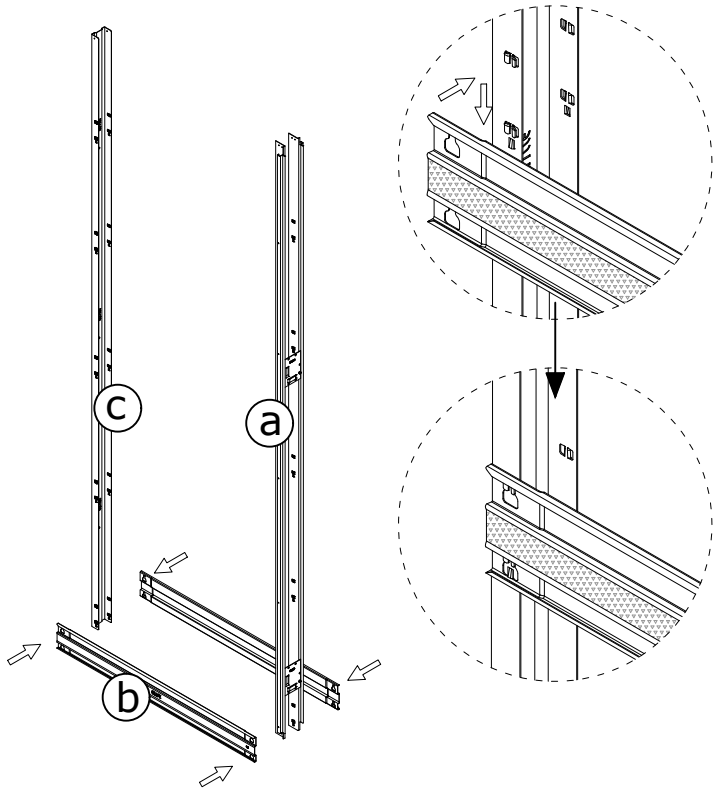
Profile 70 »95«



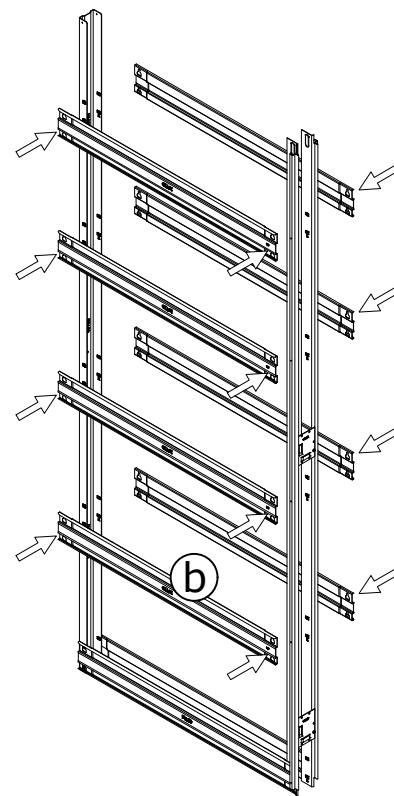
(X)  

(Y) 

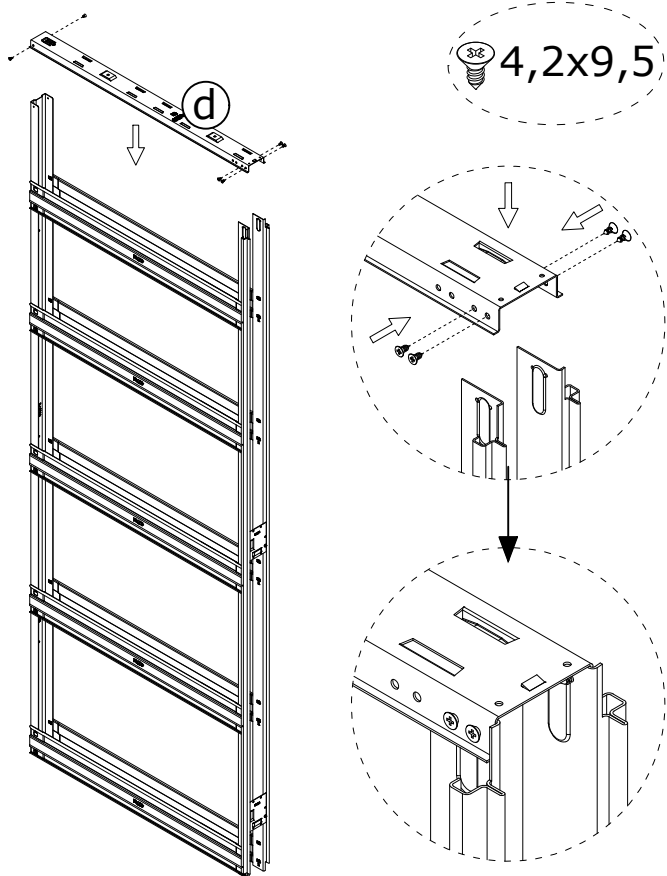
1



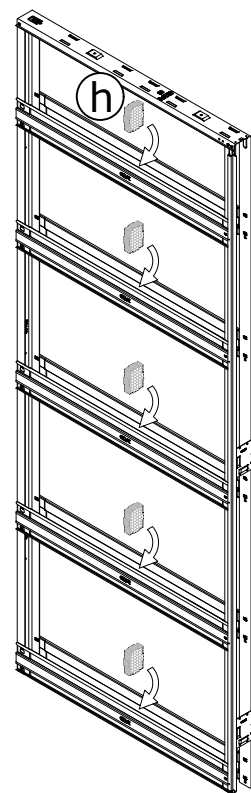
2



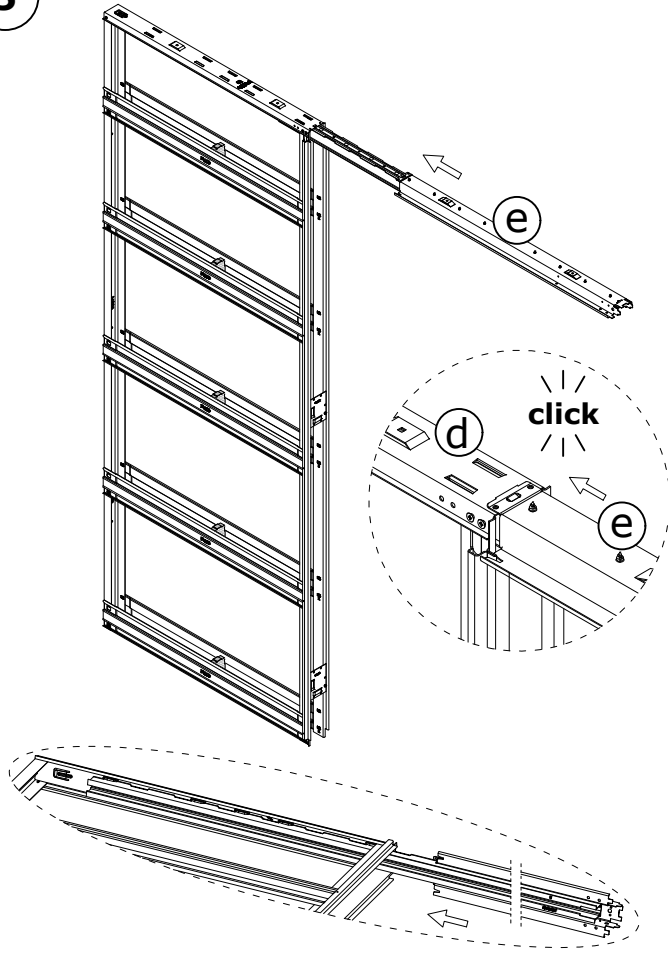
3



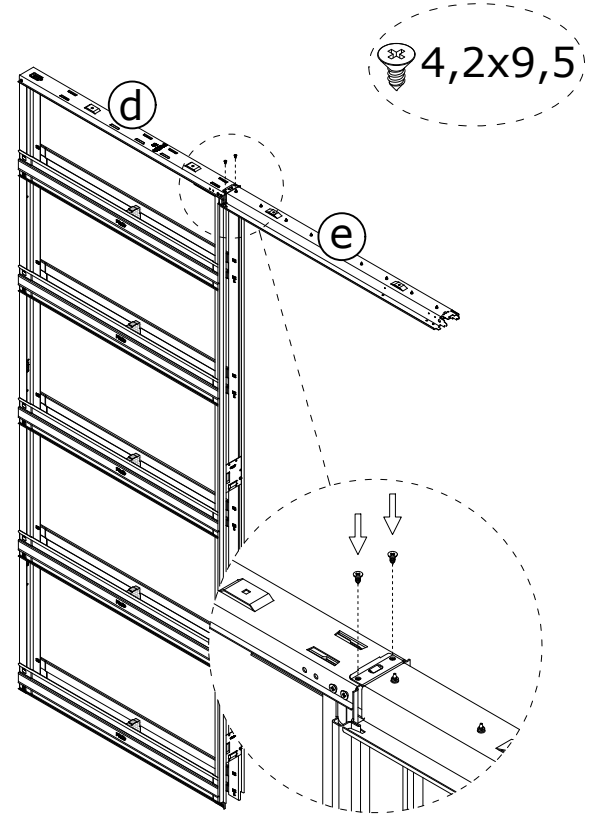
4



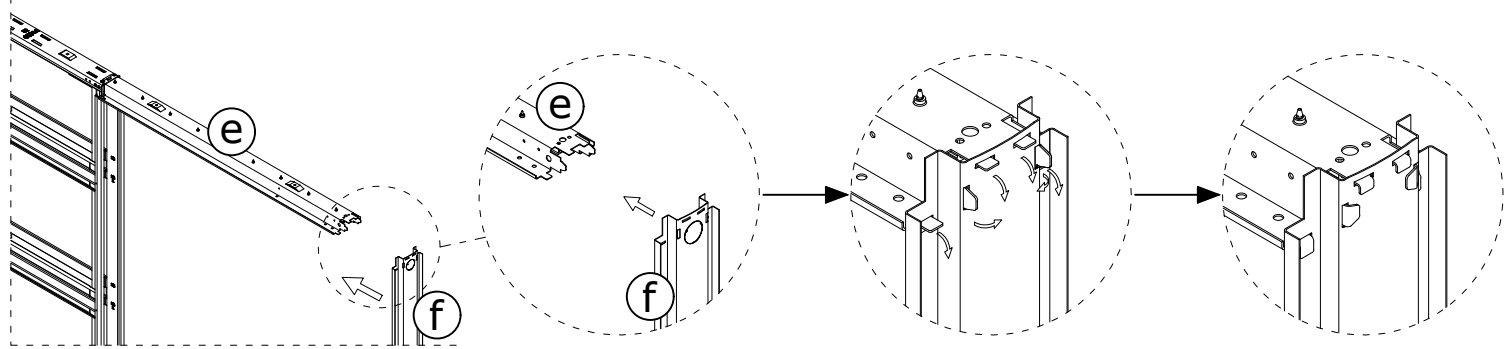
5



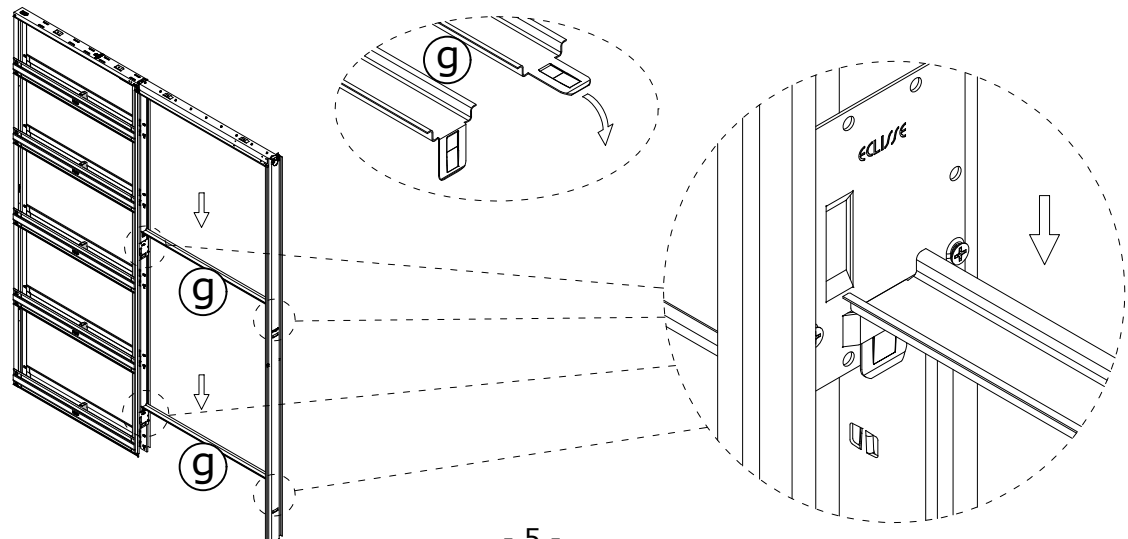
6



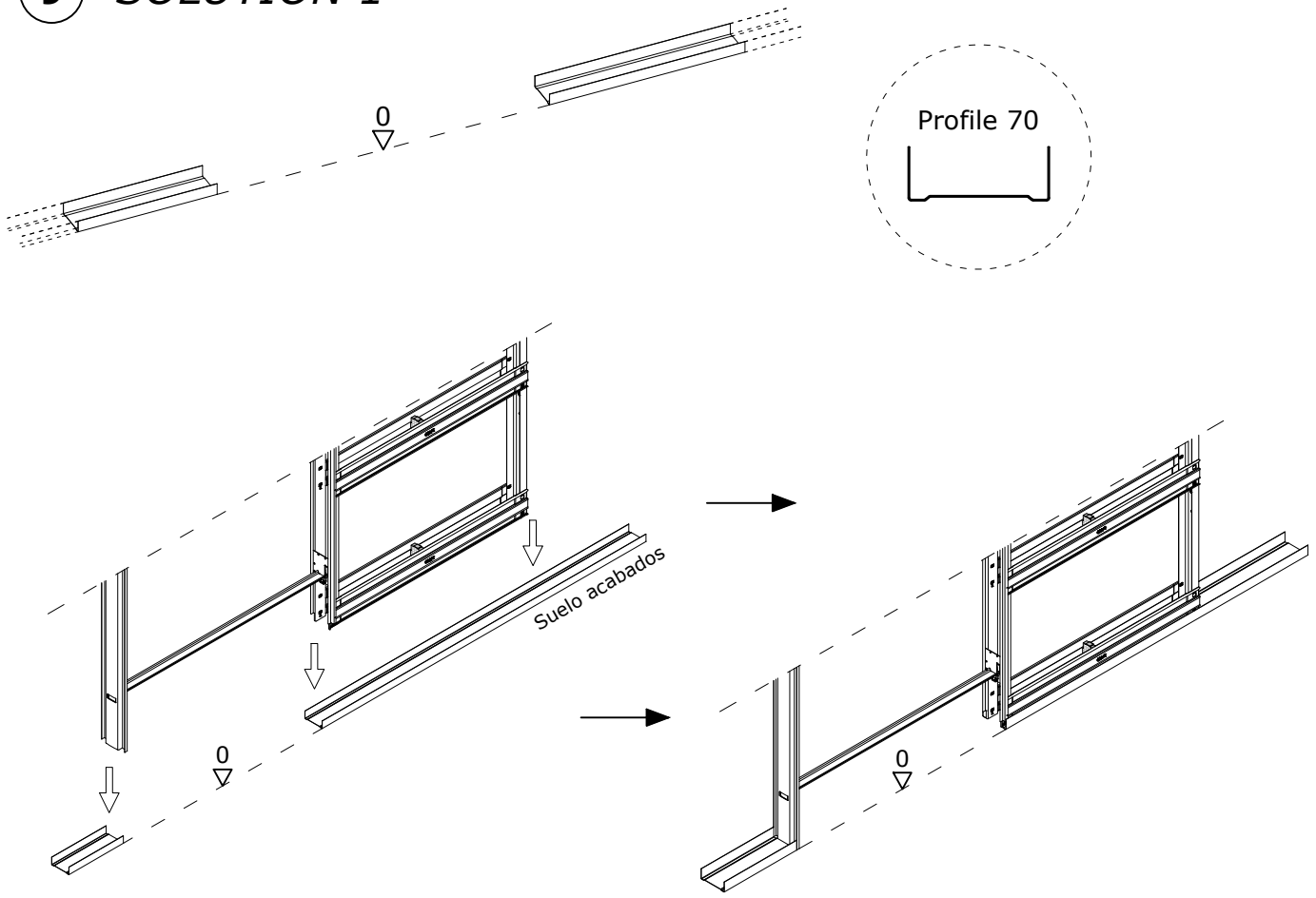
7



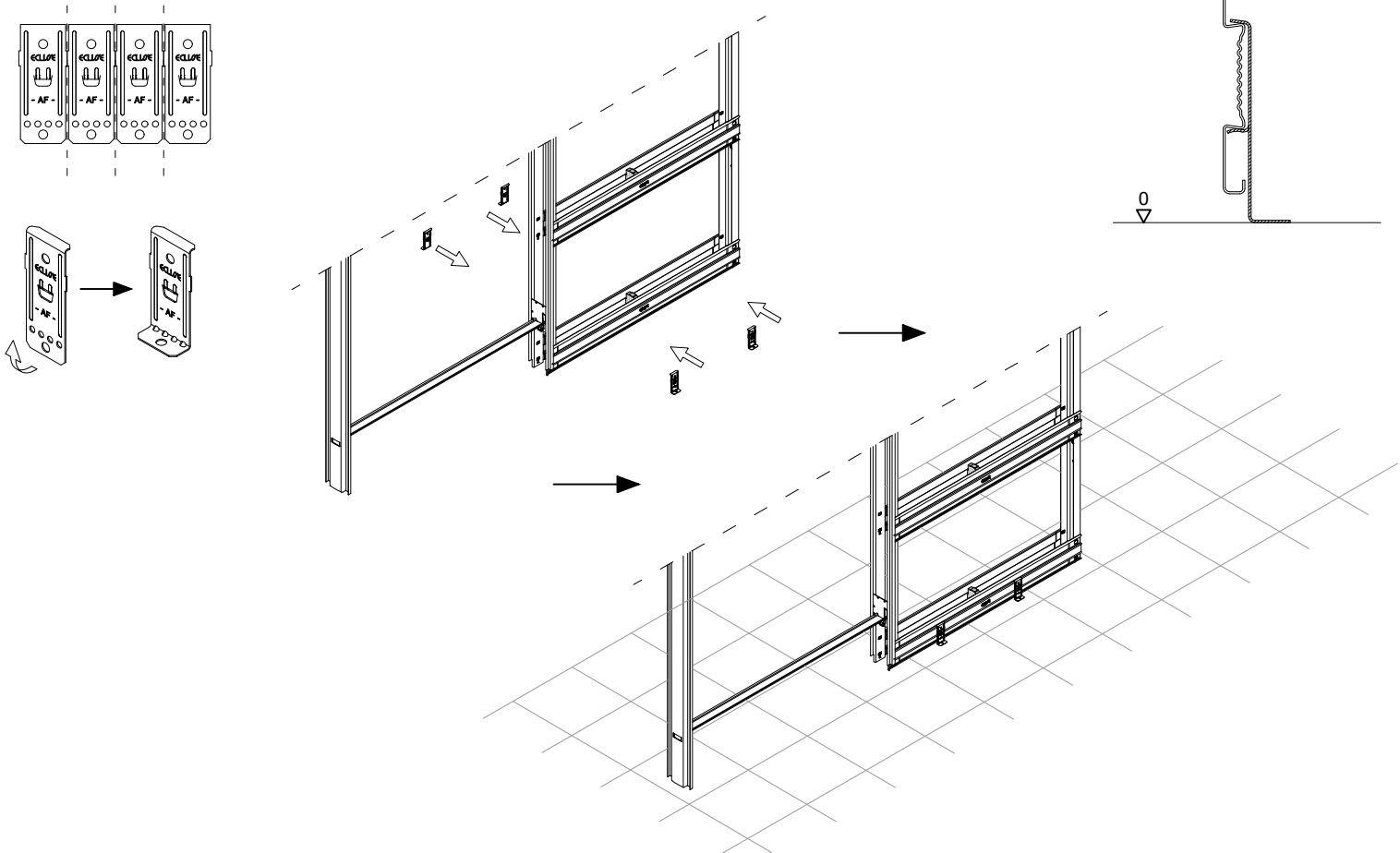
8



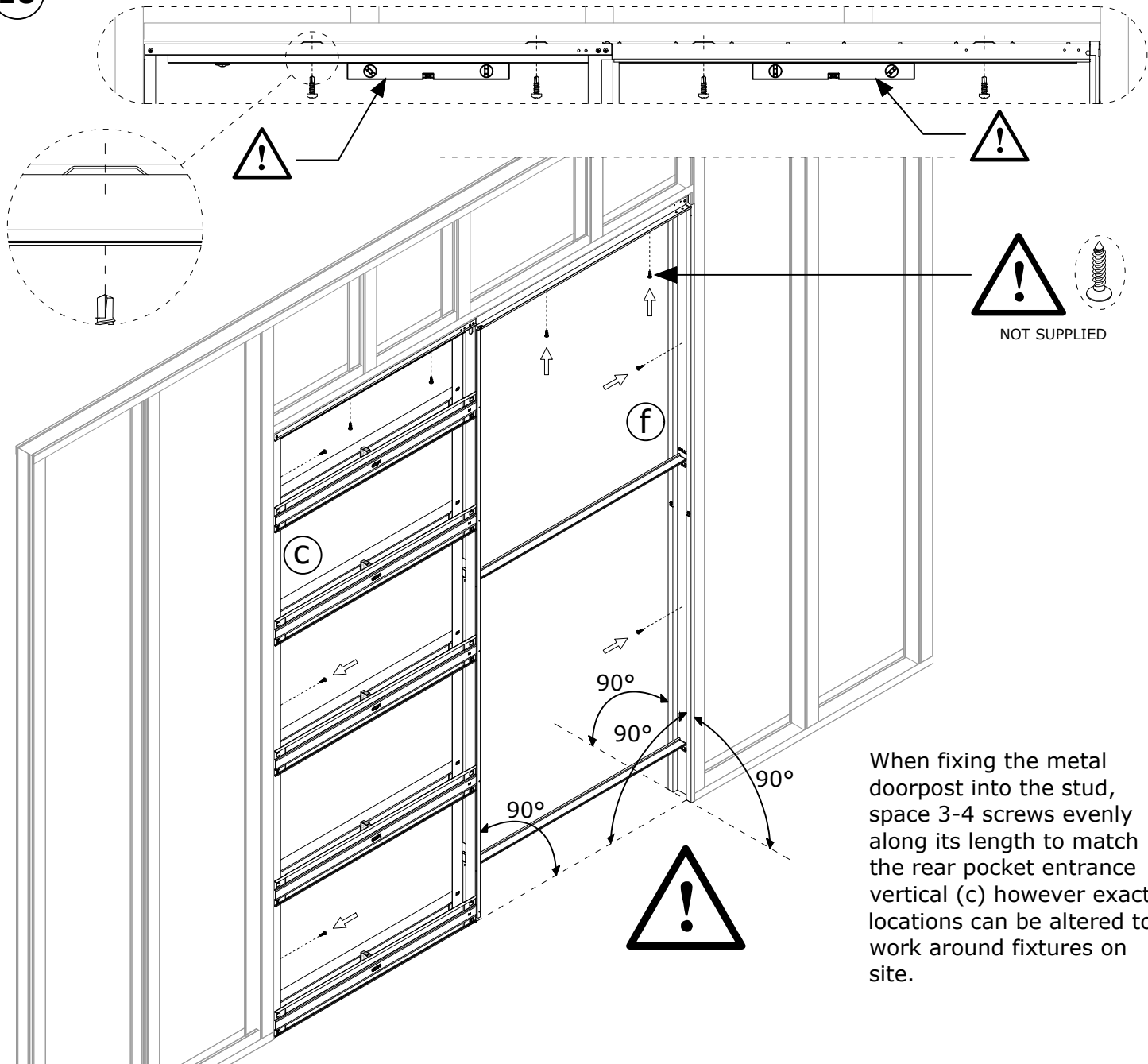
9 SOLUTION 1



SOLUTION 2



10

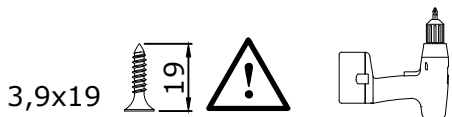
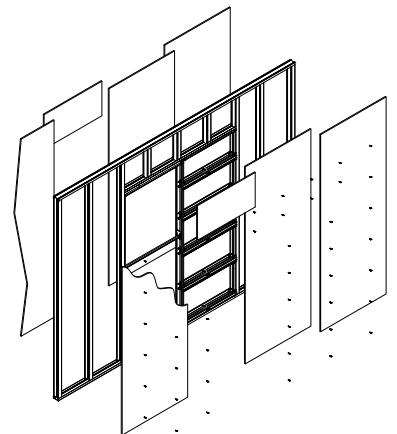
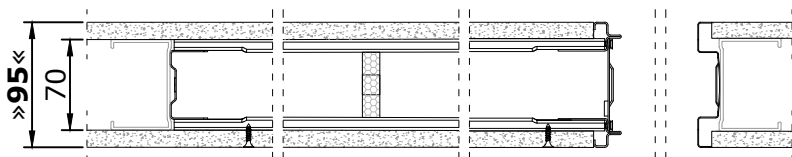


When fixing the metal doorpost into the stud, space 3-4 screws evenly along its length to match the rear pocket entrance vertical (c) however exact locations can be altered to work around fixtures on site.

Note: If using metal studs you would need to insert a timber baton into it to provide adequate material to screw to.

11

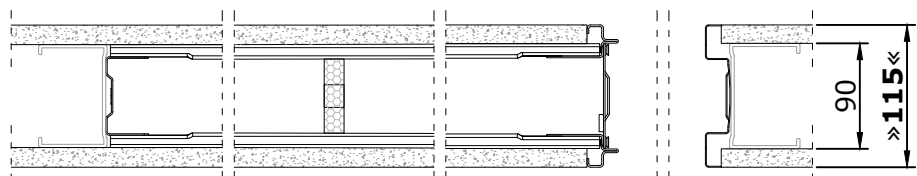
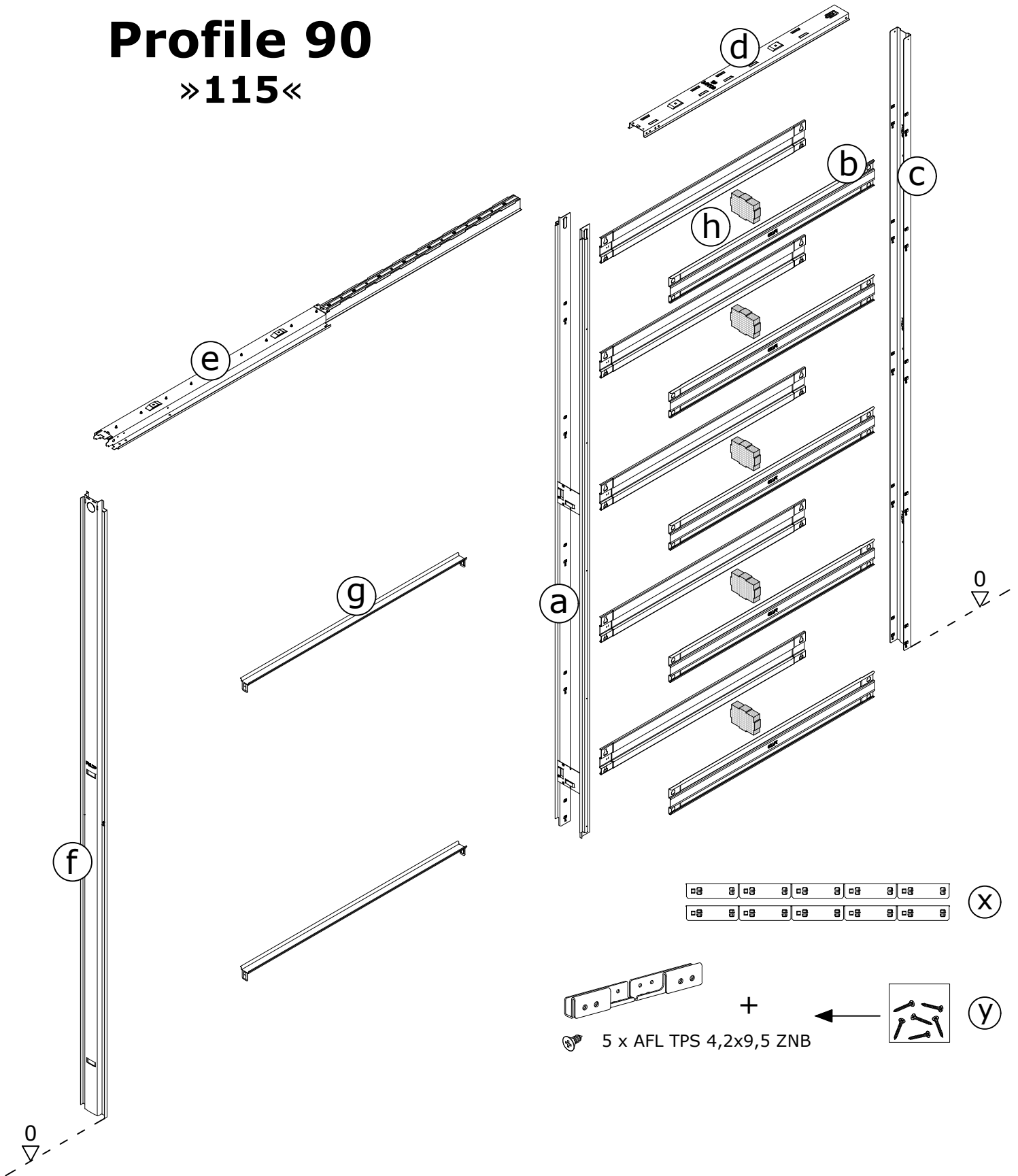
Profile 70 »95«

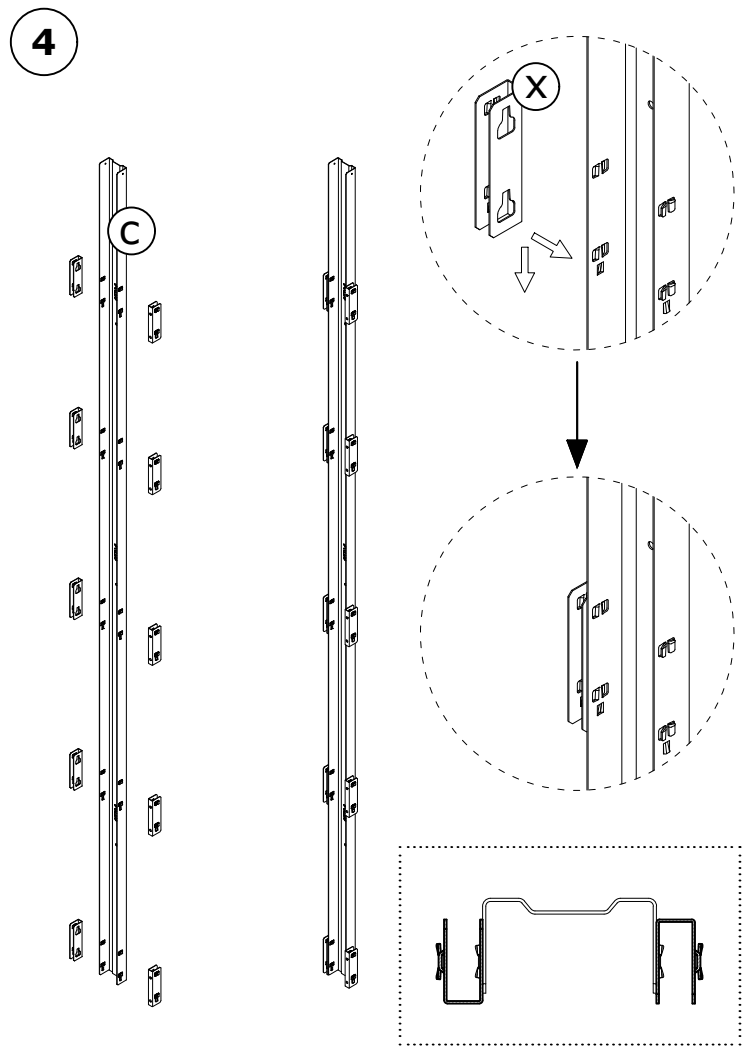
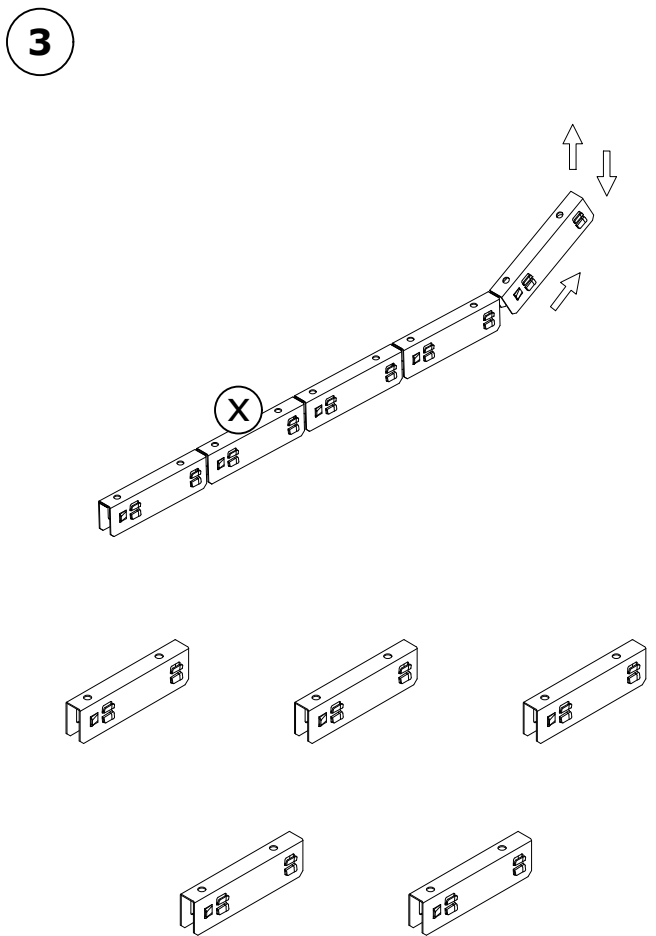
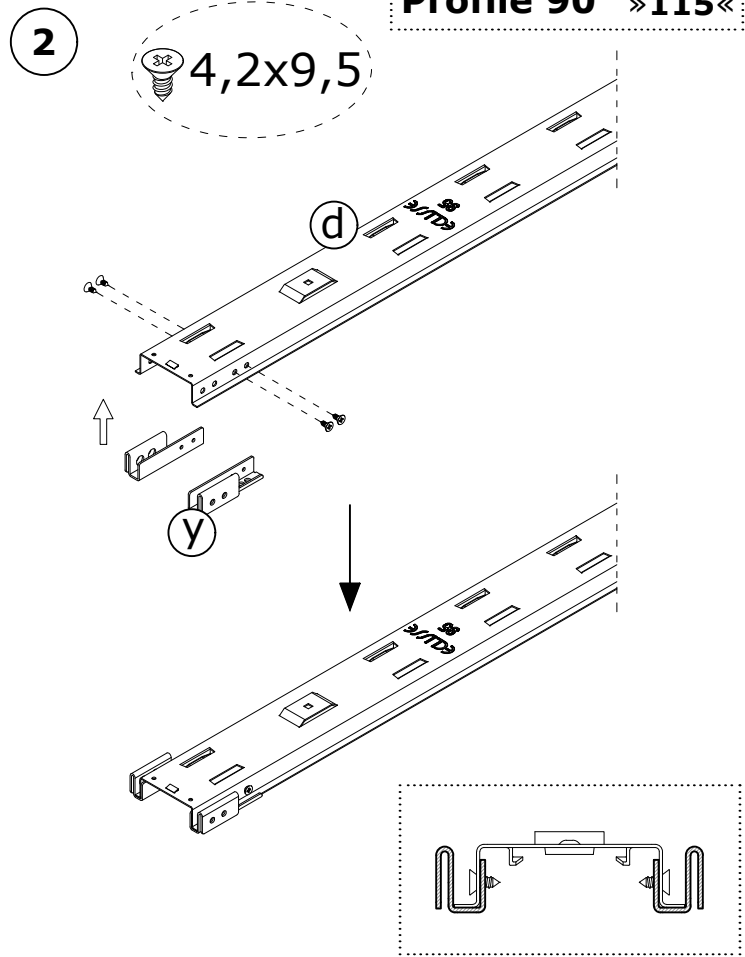
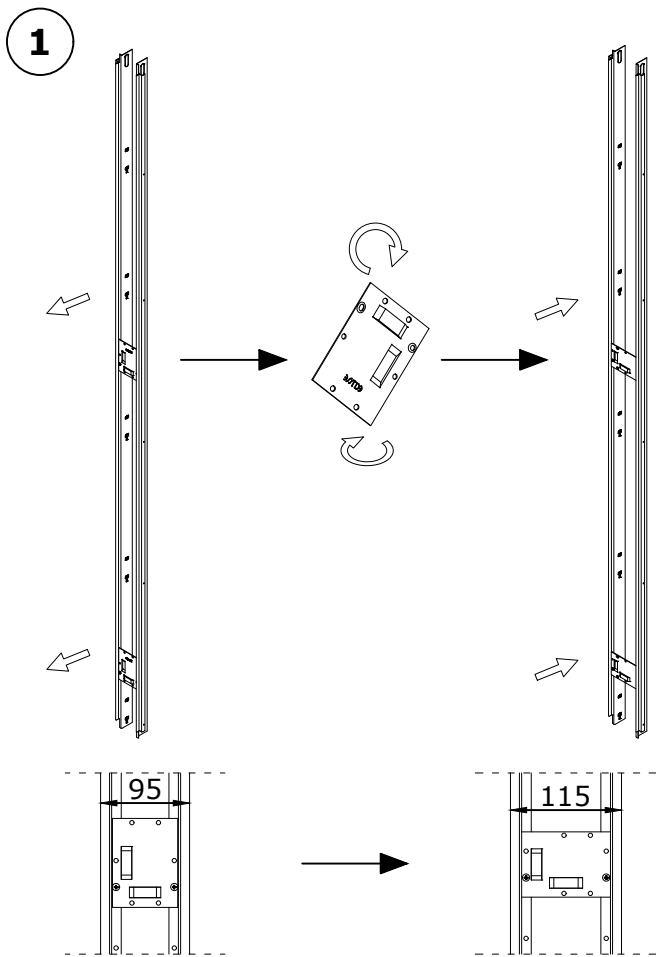


Please Note: For the second layer of plasterboard each side, use 32mm plasterboard screws

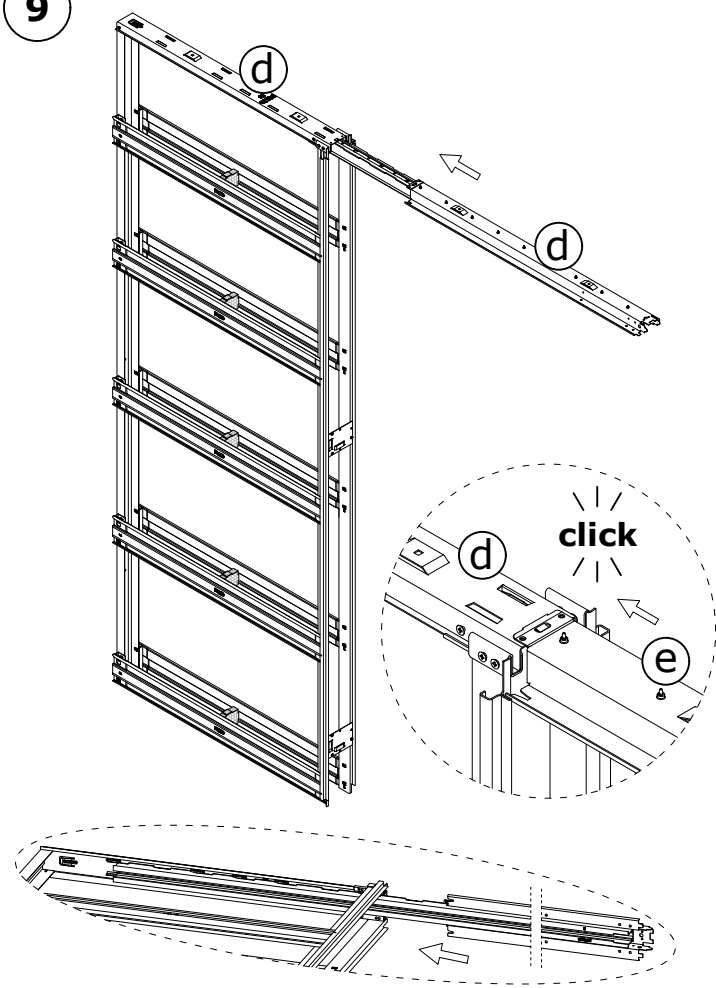
Profile 90

»115«

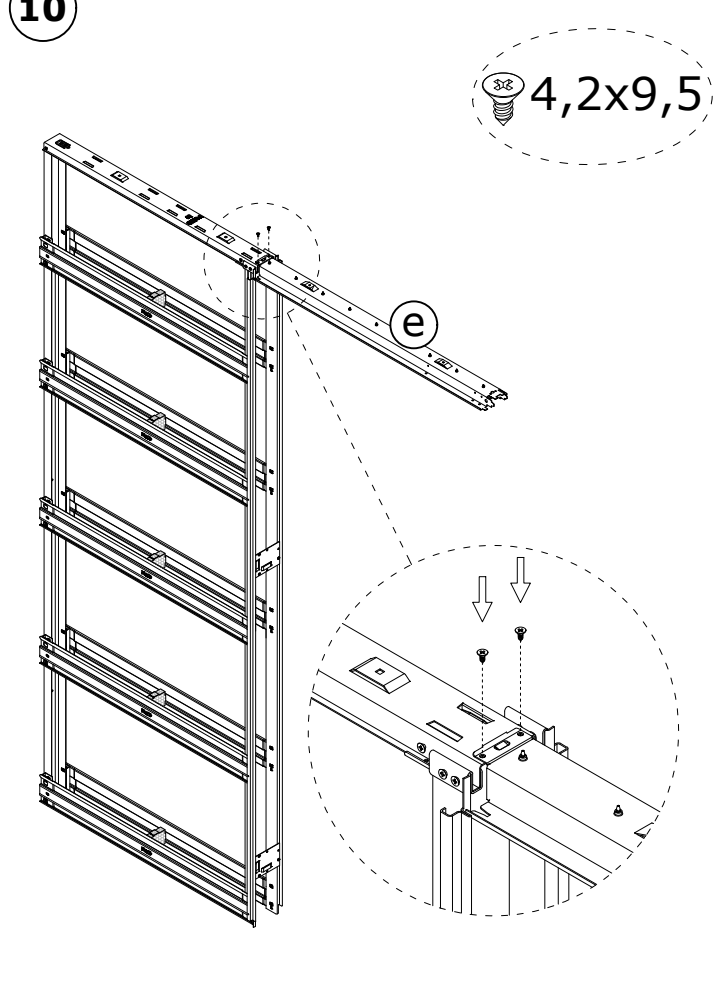




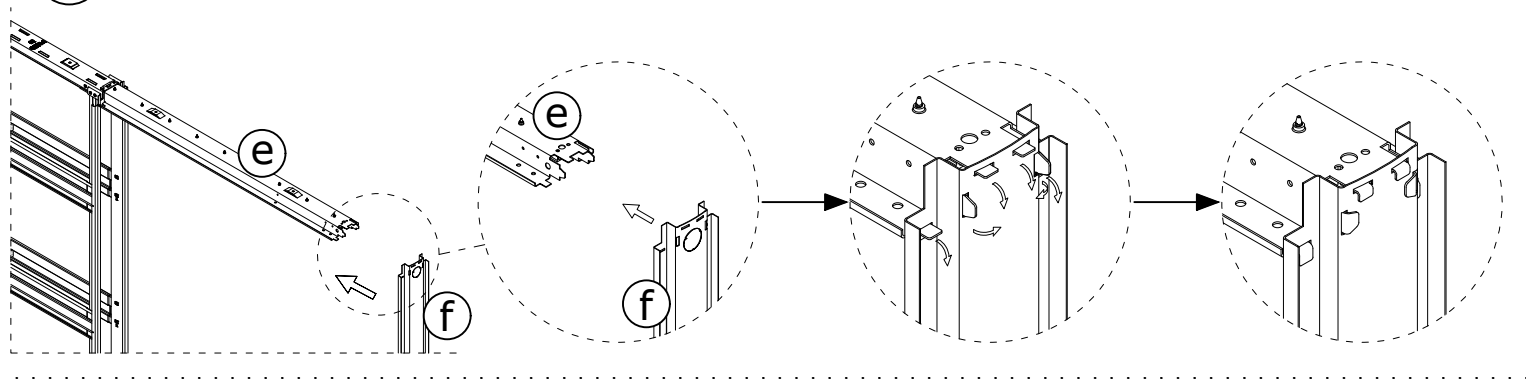
9



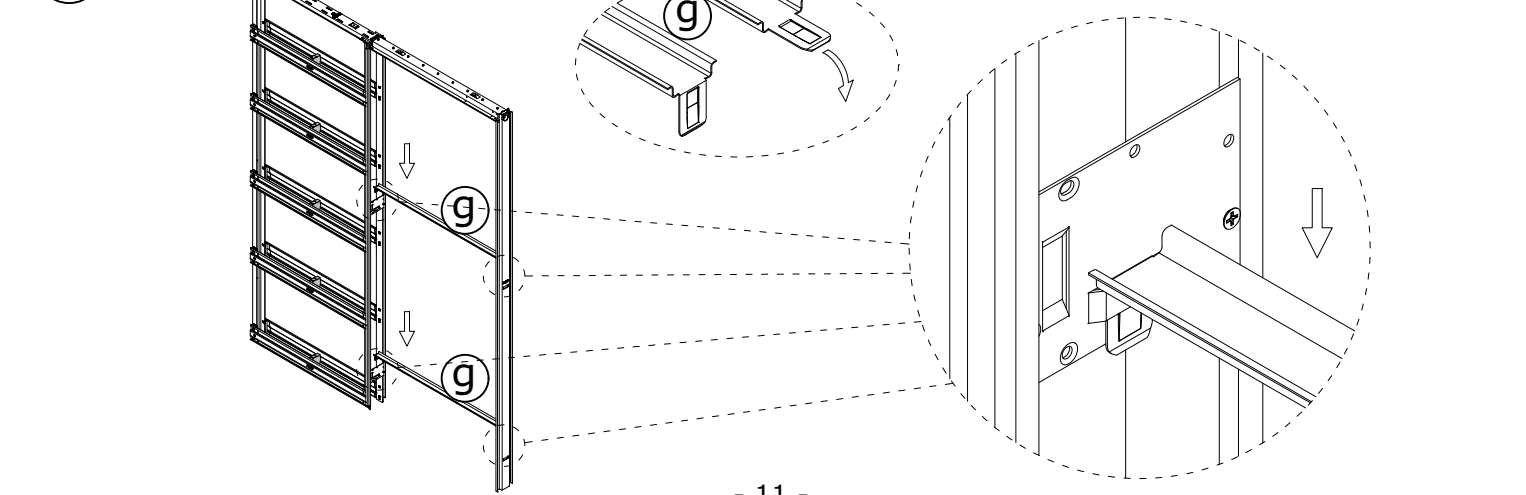
10



11

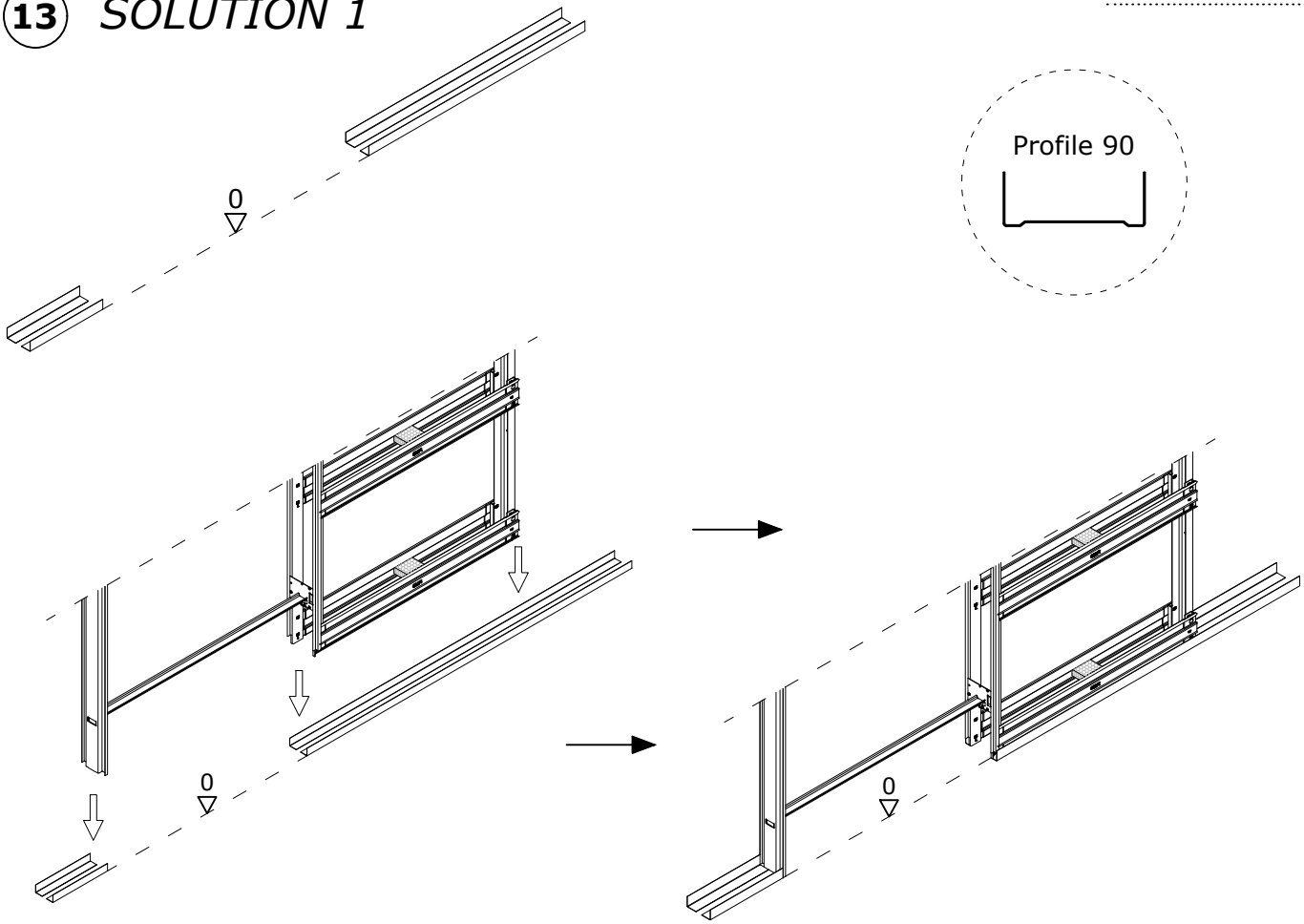


12

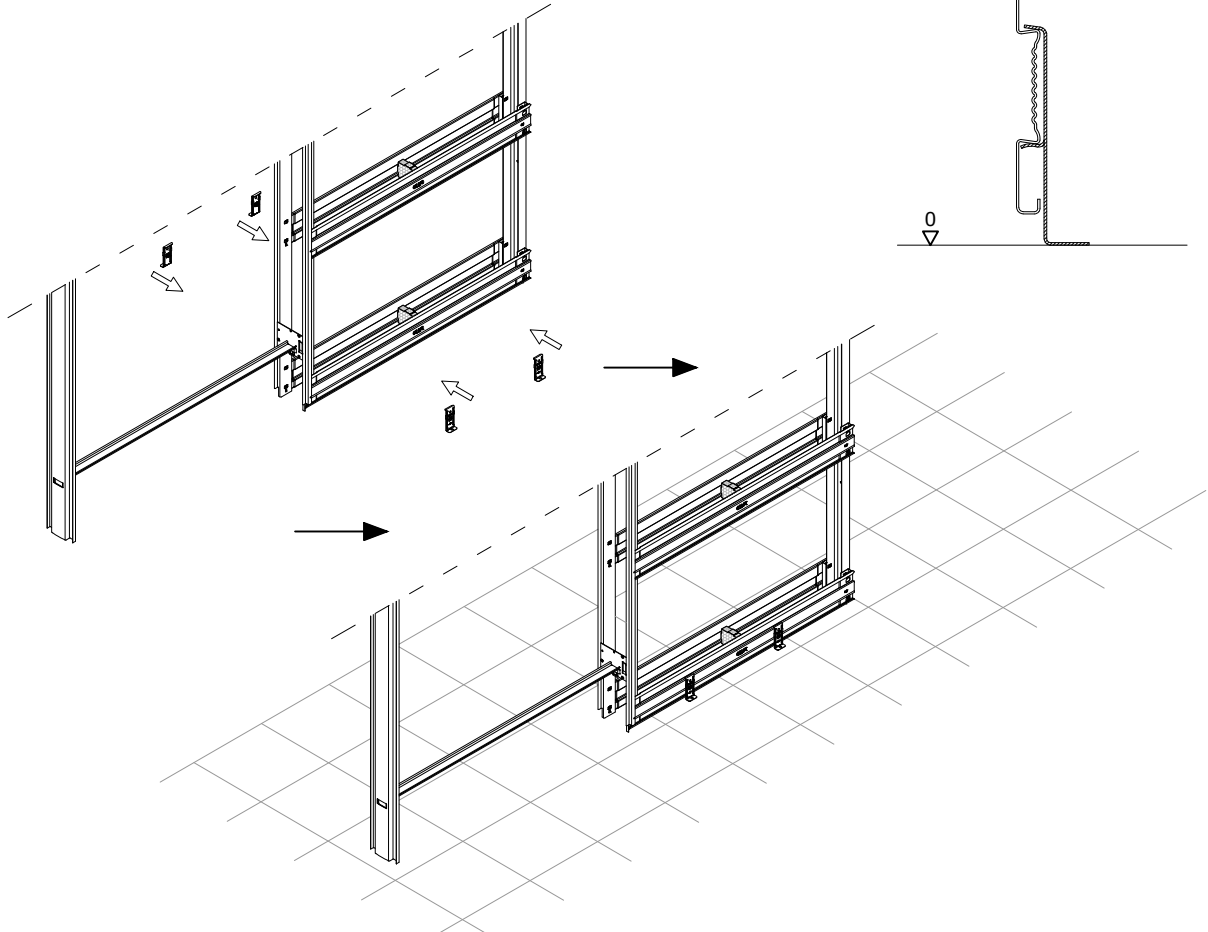
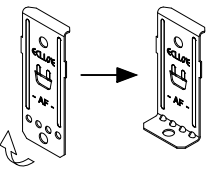
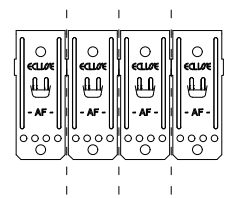


13 SOLUTION 1

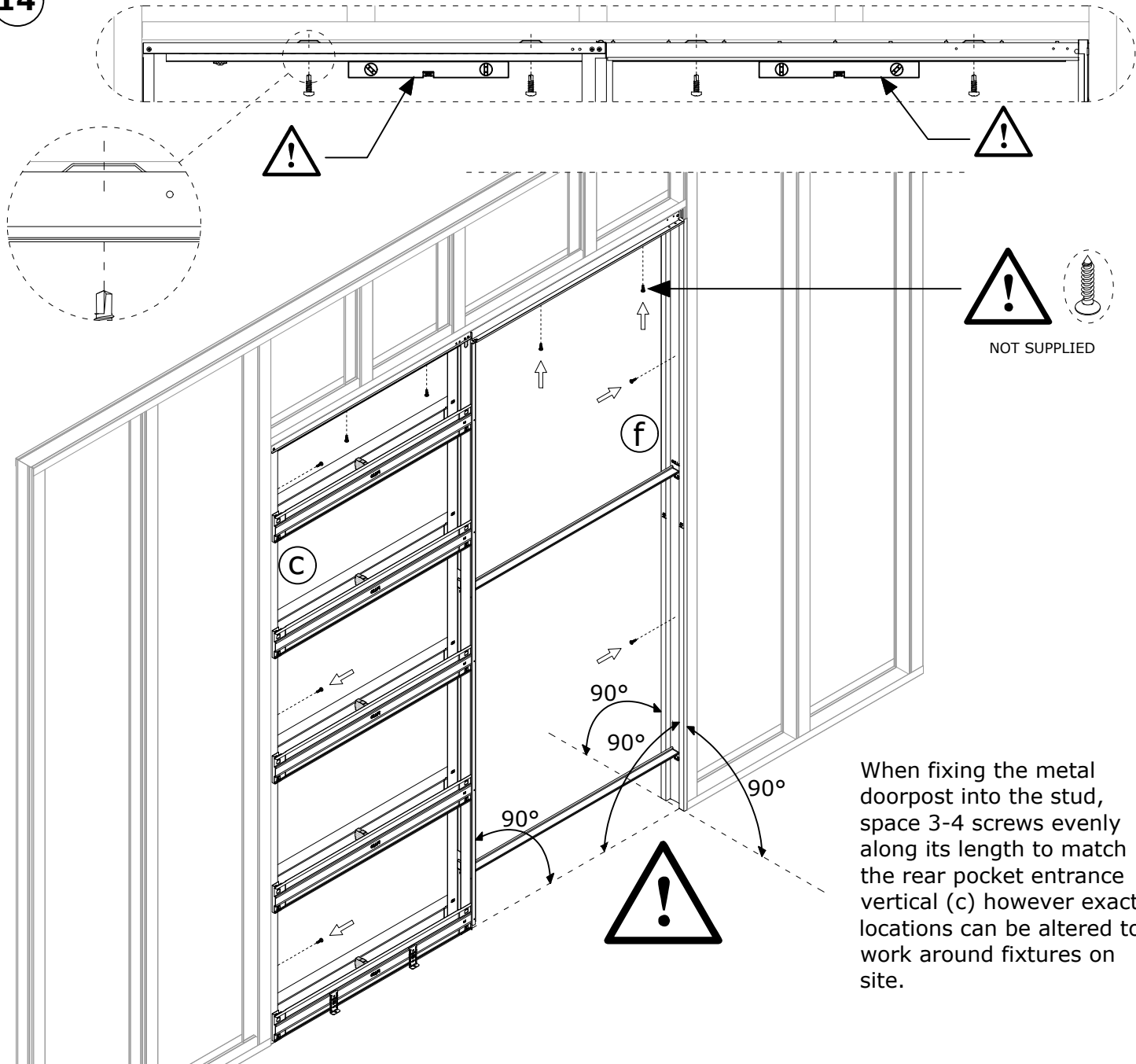
Profile 90 »115«



SOLUTION 2



14

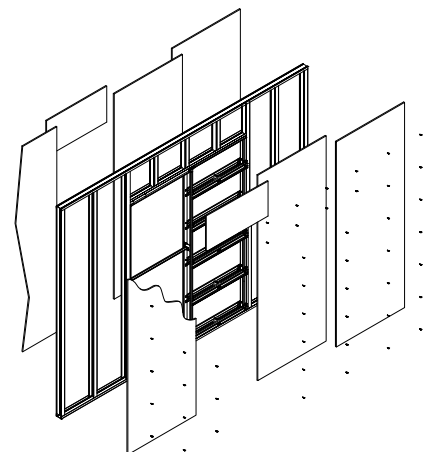
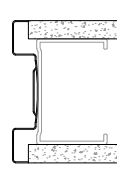
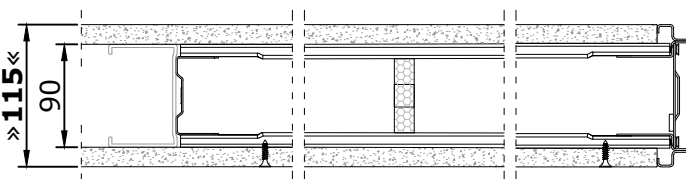


When fixing the metal doorpost into the stud, space 3-4 screws evenly along its length to match the rear pocket entrance vertical (c) however exact locations can be altered to work around fixtures on site.

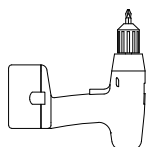
Note: If using metal studs you would need to insert a timber baton into it to provide adequate material to screw to.

15

Profile 90 »115«

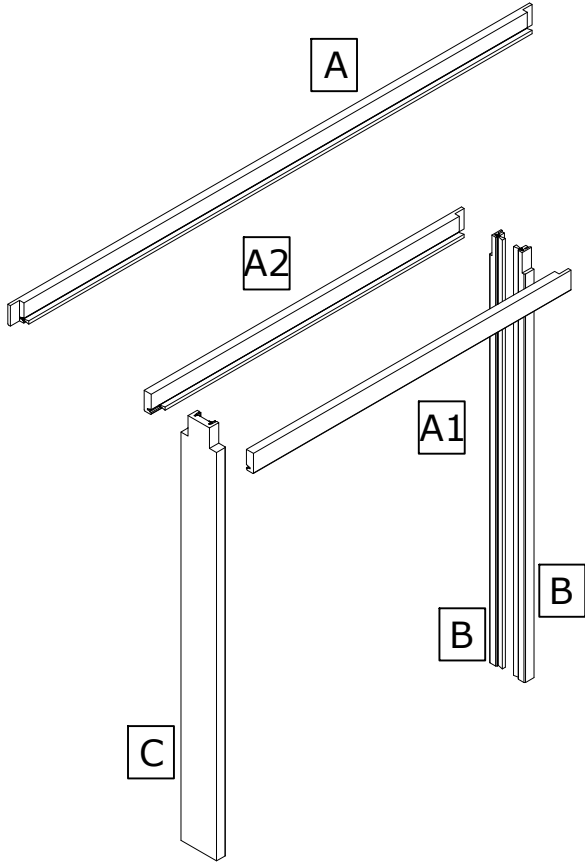


3,9x19



YOUR FRAME ASSEMBLY IS NOW COMPLETE, NEXT STEPS IS TO FIT YOUR ACCESSORIES AND DOOR BEFORE MOVING ONTO INSTALLING THE JAMBS AT THE END

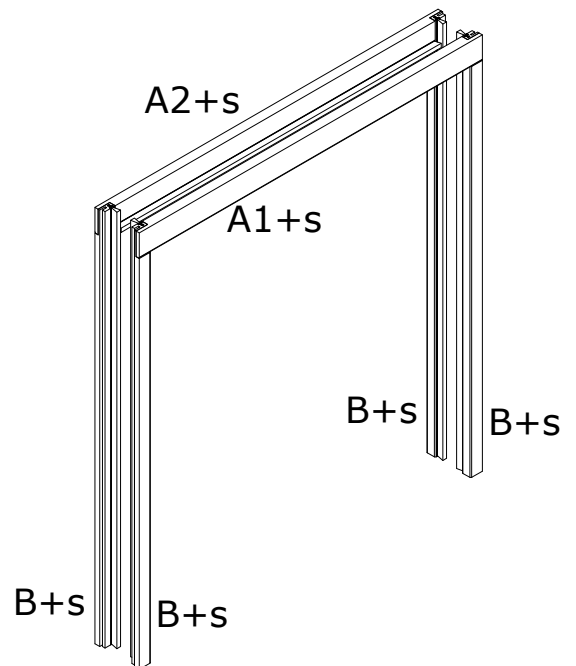
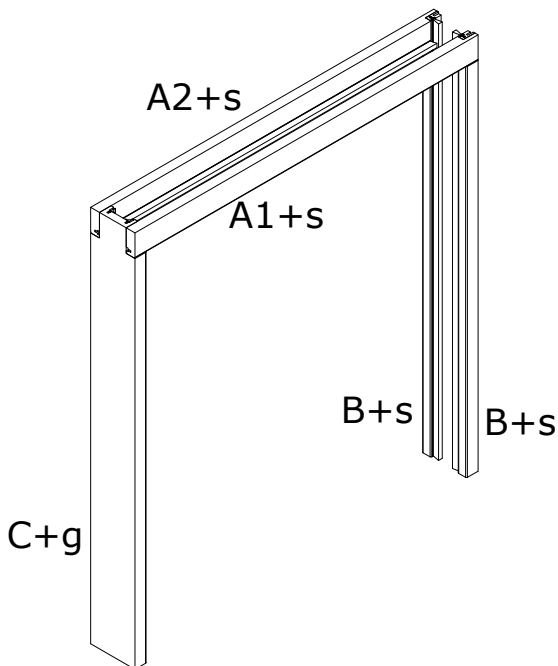
INSTALLING THE JAMBS AND DOOR POST



- | | | | |
|----------|-------------------------------|----------|------------------------|
| A | Top horizontal jambs | S | Brushes (3 pcs) |
| B | Vertical pocket jambs (2 pcs) | g | Rubber bumpers (2 pcs) |
| C | Wooden door post | | |

JAMBS FOR SINGLE DOOR

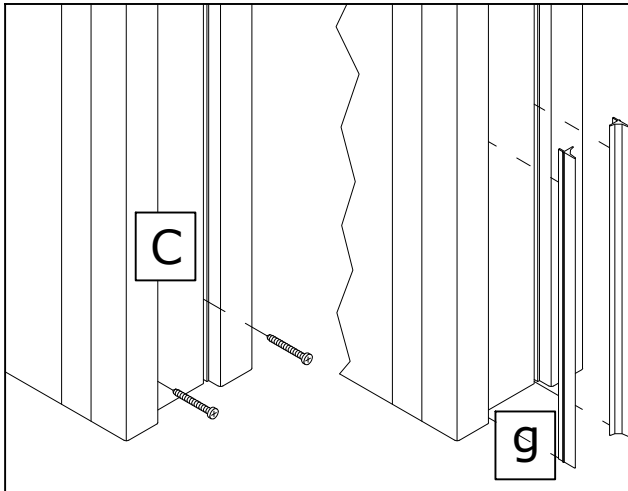
JAMBS FOR DOUBLE DOOR



Cut the door post (C) and the vertical jambs (B) to the exact dimension to fit the frame

INSTALLING THE JAMBS AND DOOR POST - PHASES:

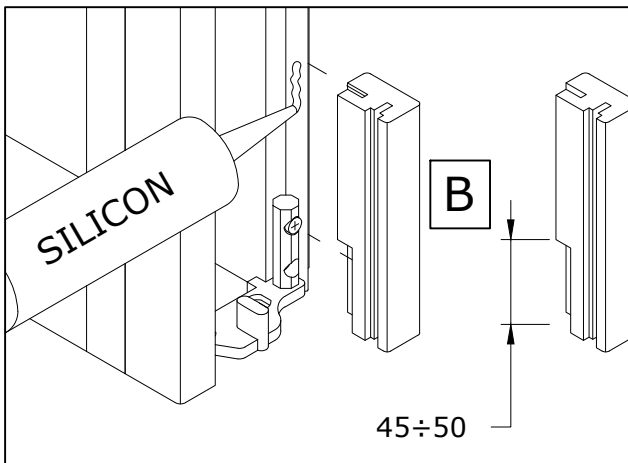
①



FOR SINGLE DOOR ONLY

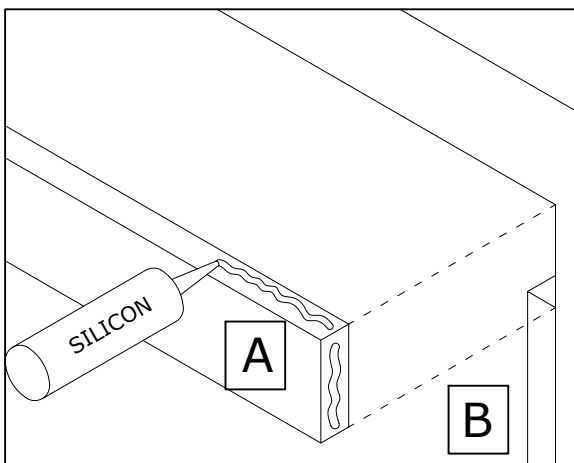
Place the wooden door post (C) into position and drill 4 pairs of holes equidistant along its length through the recess for the rubber bumpers and through the metal door post. Countersink these holes and screw the wooden doorpost into place. Detach the rubber bumpers and insert each length into the recess.

②

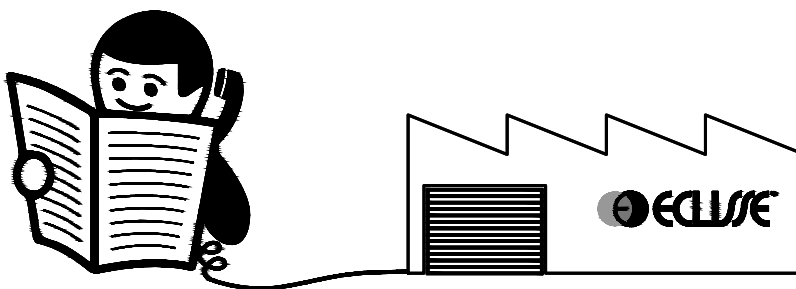
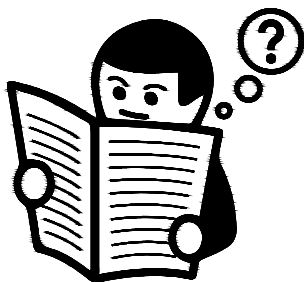


Trim the lower position of the vertical pocket jamb (B) to accommodate the guide and attach to both sides of the pocket entrance using 4/5 blobs of silicon.

③



The top horizontal jamb (A) need to be cut to size. Note the rebate on both ends is used to match the top of each of the vertical pocket jambs (B). Fix into place using silicon or if preferred pin or screw into place.



Eclisse UK Ltd
Richmond House, Occupation Lane
Gonerby Moor, Grantham, NG32 2BP
Tel: 0333 5770828
info@eclisse.co.uk
www.eclisse.co.uk



www.eclisseworld.com/en/dealer-locator

