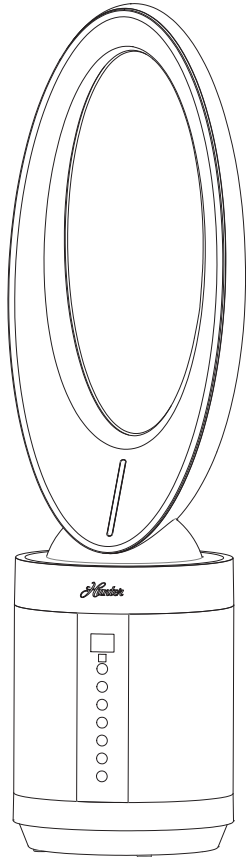


Hunter

ExtremeAir® Air Purifier With True HEPA and EcoSilver® Pre-Filter



English

Models:

HPF500
HPF500WHS
HPF500BLS
HPF500GRS
HPF500WHR

Form #HPF500

20200611

©2020 Produced exclusively for Mindful, LLC under license by Hunter Fan Company
All rights reserved

Table of Contents

| | |
|---|----|
| HOW THE SYSTEM WORKS | 1 |
| INSTALLATION REQUIREMENTS | 2 |
| SAFETY INSTRUCTIONS | 3 |
| OPERATING YOUR AIR PURIFIER | 6 |
| USING THE CONTROLS | 6 |
| RESETTING THE FILTER INDICATOR | 6 |
| READING THE DIGITAL DISPLAY | 7 |
| USING THE REMOTE | 7 |
| REPLACING THE REMOTE CONTROL BATTERY .. | 8 |
| EXTERIOR MAINTENANCE | 9 |
| CLEANING THE AIR PURIFIER | 9 |
| FILTER MAINTENANCE | 10 |
| REPLACE PRE-FILTER | 10 |
| REPLACE HEPA FILTER | 10 |
| FILTER ORDERING | 10 |
| TROUBLE SHOOTING TIPS | 11 |
| TECHNICAL SUPPORT | 11 |
| WARRANTY | 12 |

How the System Works

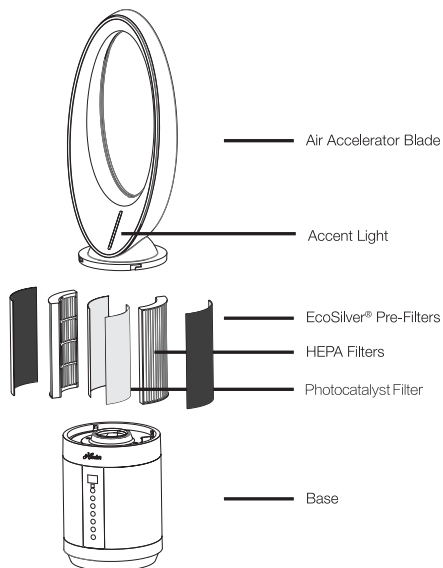
Thank you for choosing the Hunter® ExtemeAir® Air Purifier! Since 1886, Hunter® has innovated new and smarter ways to clean, circulate and condition the air in your home. Your air purifier uses an internal fan to pull air from 360-degrees into the base of the unit where it then enters a 3-stage filtration process. Once cleaned, the air is released through the air accelerator blade and circulated around your room.

EcoSilver® Pre-filter with Coconut Carbon: The Pre-Filter uses silver nanotechnology to prevent the growth of microorganisms on the filter, including bacteria and viruses, and removes harmful VOCs (volatile organic compounds). Coconut carbon in the pre-filter captures larger airborne particles and reduces household odors from cooking, cleaning, smoking and pets.

True HEPA Filter: Rigorously tested, our True HEPA filter removes up to 99.97% of airborne particles as small as 0.3 microns in size including smoke, dust, pollen, pet hair and dander, mold spores and dust mites.

Photocatalyst Filter: Our photocatalyst filter eliminates toxic VOCs in the air caused by household cleaners and products.

LED UVC Light: The Hunter® air purifier is equipped with a LED UVC light. UVC technology inhibits the growth of microorganisms that are exposed to the UVC light.



Installation Requirements

1. Carefully remove air purifier from packaging and plastic bag.
2. Select firm level and flat location. For proper air flow, locate the unit at least six inches from any wall or furniture. DO NOT block air opening.
3. Plug the 2 prong power cord into a 120V AC electrical outlet.
4. Always lift air purifier by handle of unit.
5. Operate indoors only.

Safety Instructions

Your safety and the safety of others are very important.

We have provided many important safety messages in this manual and on your appliance. Always read and obey all safety messages.



This is the safety alert symbol.

This symbol alerts you to potential hazards that can kill or hurt you and others.

All safety messages will follow the safety alert symbol and either the word "DANGER" or "WARNING." These words mean:

 **DANGER**

You can be killed or seriously injured if you don't immediately follow instructions.

 **WARNING**

You can be killed or seriously injured if you don't follow instructions.

All safety messages will tell you what the potential hazard is, tell you how to reduce the chance of injury, and tell you what can happen if the instructions are not followed.

IMPORTANT SAFETY INSTRUCTIONS

This appliance has a polarized plug (one blade is wider than the other). To reduce the risk of electric shock, this plug is intended to fit into a polarized outlet only one way. If the plug does not fit fully into the outlet, reverse the plug. If it still does not fit, contact a qualified electrician. Do not attempt to defeat this safety feature.

Do not operate air purifier with a damaged cord or plug. Discard air purifier or return to an authorized service facility for examination or repair.

Unplug air purifier before servicing.

Do not run cord under carpeting. Do not cover cord with throw rugs, runners, or similar covering. Do not route cord under furniture, or appliances. Arrange cord away from traffic area and where it will be tripped over.

READ AND SAVE THESE INSTRUCTIONS

WARNING: To reduce the risk of fire or electrical shock, DO NOT use the air purifier with any Solid-State Speed Control Device.

WARNING: To reduce the risk of fire or electrical shock and injury to persons, DO NOT use in a window.

Safety Instructions

IMPORTANT!

READ ALL INSTRUCTIONS BEFORE USING THIS AIR PURIFIER

This product should be used only in accordance with the specifications outlined in this manual. Usage other than what has been specified here may result in serious injury. When using electrical appliances, basic precautions should always be followed to reduce the risk of fire, electric shock and injury to persons, including the following:

- Read all instructions before using appliance.
- **IMPORTANT** - This portable product has a polarized plug (one blade is wider than the other) as a feature to reduce the risk of electric shock. This plug will fit into a polarized outlet only one way. If the plug does not fit fully in the outlet, reverse the plug. If it still does not fit, contact a qualified electrician.
- To avoid fire or shock hazard, plug the appliance directly into a 120V AC electrical outlet.
- Keep the cord out of heavy traffic areas. To avoid fire hazard, NEVER put the cord under rugs, near heat registers, radiators, stoves or heaters.
- To protect against electrical hazards, DO NOT immerse in water or other liquids. Do not use near water.
- Place the air purifier in an area that is out of the reach of children.
- Always unplug the air purifier before moving it, opening the grill, changing filters, cleaning or whenever the air purifier is not in use. Be sure to pull by the plug and not the cord.
- NEVER drop or insert any object into any openings.
- DO NOT run cord under carpeting.
- DO NOT cover cord with throw rugs, runners, or similar coverings.
- DO NOT route cord under furniture or appliances. Arrange cord away from traffic area and where it will not be tripped over.
- DO NOT operate any appliance with a damaged cord or plug, if motor fan fails to rotate, after the appliance malfunctions, or if it has been dropped or damaged in any manner. Call Hunter® Customer Service for assistance.
- Use appliance only for intended household use as described in this manual. Any other use not recommended by the manufacturer may cause fire, electric shock or injury to persons.
- DO NOT use outdoors.
- NEVER block the air openings, grills/outlets or place on a soft surface such as a bed or sofa, as this could cause the unit to tip over, blocking the air intake or outtake opening.
- DO NOT attempt to repair or adjust any electrical or mechanical functions on this unit. Doing so will void your warranty. The inside of the unit contains no user serviceable parts. All servicing should be performed by qualified personnel only.
- DO NOT place anything on top of unit.
- This Air Purifier is designed for use on a level floor and may not work properly on an uneven floor. ALWAYS place the Air Purifier on a firm, level floor. ALWAYS place the Air Purifier at least six (6) inches away from walls and heat sources such as stoves, radiators, or heaters.
- Keep combustible materials, such as furniture, pillows, bedding, papers, clothes and curtains, at least 3 feet from the front of the appliance and keep them away from the sides and rear when the air purifier is plugged in.
- Keep air purifier away from children under the age of 8 unless supervised by an adult.
- Use only as described in this Hunter® Owner's Manual. Do not carry out any maintenance other than that shown in this manual or advised by the Hunter® Customer Service Center. Any other use not recommended by the manufacturer may cause fire, electric shock, or injury to persons. Contact the Hunter® Customer Service Center when service or repair is required. Do not disassemble the appliance as incorrect reassembly may result in an electric shock.
- The base must be fitted securely before operating. Do not dismantle or use without the base fitted.
- Do not allow to be used as a toy. Close attention is necessary when used by or near children. Children of less than 3 years should be kept away unless continuously supervised. Children should be supervised to ensure that they do not play with the appliance and remote control.
- Children under the age of 8 should only switch on/off the appliance provided that it has been placed or installed in its intended normal operating position and they have been given supervision or instruction concerning use of the appliance. Children under the age

Safety Instructions

of 8 should not plug in, regulate and clean the appliance or perform user maintenance.

- Suitable for dry locations only. Do not use outdoors or on wet surfaces. Do not use in bathrooms, laundry areas or similar indoor locations.
- Never locate the appliance where it may fall into a bath or other water container. Do not use or store where it may get wet or in the immediate surroundings of a bath, shower, or swimming pool.
- This appliance may have hot parts inside. Do not use in areas where petrol, paint, or flammable liquids are used or stored or where their vapors are present. Do not use in conjunction with or directly next to an air freshener or similar products.
- Do not locate directly below a main electricity supply socket.
- Always plug directly into a wall socket. Never use with an extension cable or surge protector as overloading may result in the cable overheating and catching fire.
- Do not handle any part of the plug or appliance with wet hands.
- Do not use with a damaged power cord or plug.
- Do not unplug by pulling on the cable. To unplug, grasp the plug, not the cable.
- Do not stretch the cable or place the cable under strain. Keep cable away from heated surfaces.
- Do not route the cable under furniture or appliances. Do not cover cable with throw rugs, runners or similar coverings, arrange cable away from traffic area and where it will not be tripped over.
- To prevent a possible fire, do not use with any opening or exhaust blocked, and keep free of dust, lint, hair, and anything that may reduce airflow. Do not put any object into the inlet grill or the exhaust opening as this may cause an electric shock or fire, or damage the appliance.
- Do not use on soft surfaces, such as a bed, where openings may become blocked.
- In order to avoid overheating and fire hazard, do not cover appliance.
- For the best performance, place on the floor, in the corner of the room, at least 3 feet from any wall and facing into the center of the room.
- This air purifier may not work properly on an uneven surface. Always place this air purifier on a firm, level and water resistant surface.
- Before using the air purifier, extend the cord and inspect for any signs of damage. Do not use the product if the cord has been damaged. DO NOT use if the power cord is cut, modified, forcefully bent, twisted or pulled.
- ALWAYS use with the supplied power plug. Failure to do so may cause electric shock or malfunction.
- NEVER take apart, repair or modify this product. Abnormal operation may occur, and cause electric shock, fire or injury.
- DO NOT turn on product unless blade and guard are installed properly.
- Do not swing air purifier by handle. This may cause injury, damage air purifier or damage floor.
- Do not insert foreign objects such as metal into the air purifier outlet. When in contact with parts inside air purifier, this can cause electric shock or injury.
- Do not place fingers into the guard or any moving part of blade.
- Do not drag air purifier. It may cause damage to air purifier or floor.
- If air purifier malfunctions, stop using immediately and disconnect from power supply.
- Turn off all controls before unplugging or carrying out any maintenance.
- If there is a loose fit between the plug and the socket or the plug becomes very hot, the socket may need to be replaced. Check with a qualified electrician to replace the socket.
- Choking Hazard: This remote control unit contains a small battery. Keep the remote control away from children and do not swallow the battery. If the battery is swallowed, seek medical advice immediately.
- Do not expose eyes or other body parts directly to UVC light as UVC light can be harmful to skin. UVC light should not be used on plants or animals as it can cause harm.
- If the appliance is not working as it should, has received a sharp blow, has been dropped, damaged, left outdoors, or dropped into water, do not use and contact the Hunter® customer service center.

Operating Your Air Purifier

The air purifier is operated by the soft touch controls located on the front of the air purifier. This manual covers several different models. The air purifier you have purchased may have some or all of the features listed.

USING THE CONTROLS

On/Off: Press On/Off to turn unit on or off.

Speed: Press Speed to choose from 9 variable fan speeds from Low to Turbo.

Timer: To use timer function, set to desired speed and press Timer to select between 1-12 hours of operation. Unit will turn off after specified time.

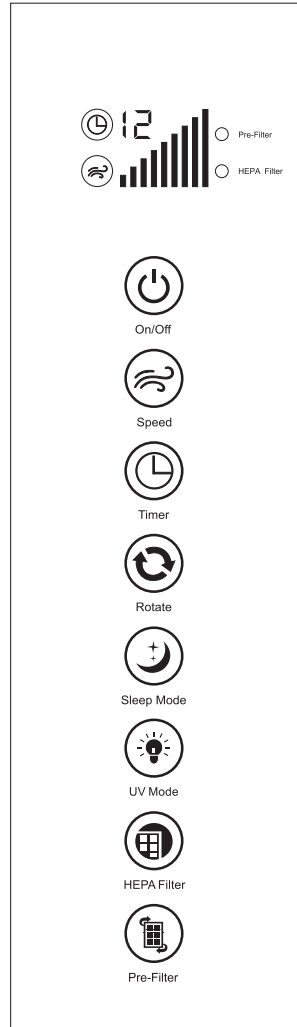
Rotate: To turn rotation on or off, press Rotate. When rotation is turned off, air purifier will pause in the exact position until Rotate is pressed again.

Sleep Mode: When Sleep Mode is activated by pressing the Sleep Mode button, air purifier accent light will shut off and operate on low speed setting until mode is changed back to Manual. To return to Manual Mode, press Sleep Mode button again.

UV Mode: UV Mode removes airborne bacteria. When UV Mode is activated by pressing the UV Mode button, air purifier accent light will turn on. The accent light is NOT the UVC light, only an indicator that UV Mode is on. UVC light is enclosed in the base of the unit to avoid exposure or harm. Accent light cannot be turned off in UV Mode.

RESETTING THE FILTER INDICATOR

Pre-Filter Indicator Light: Your Hunter® air purifier is programmed to remind you to replace the pre-filter after 3 months, based on continuous use (approximately 2,160 hours). The indicator is only a guide. Depending on air quality and environmental factors, pre-filters may need to be replaced more regularly. After pre-filter is replaced, press and hold the Filter Indicator button for 3



Operating Your Air Purifier

seconds. The unit will beep 3 times to indicate reset.

HEPA Filter Indicator Light: Your Hunter® air purifier is programmed to remind you to replace the HEPA filter after 6 months, based on continuous use (approximately 4,320 hours). The indicator is only a guide. Depending on air quality and environmental factors, pre-filters may need to be replaced more regularly. After pre-filter is replaced, press and hold the Filter Indicator button for 3 seconds. The unit will beep 3 times to indicate reset.

READING THE DIGITAL DISPLAY

Timer: When using timer function, time will display next to Timer button.



Speed: Bars indicate which Speed has been selected.



Pre-Filter Indicator Light: Your Hunter® air purifier is programmed to remind you to replace the pre-filter after 3 months, based on continuous use (approximately 2,160 hours). A light will appear on digital display, indicating pre-filter should be replaced.

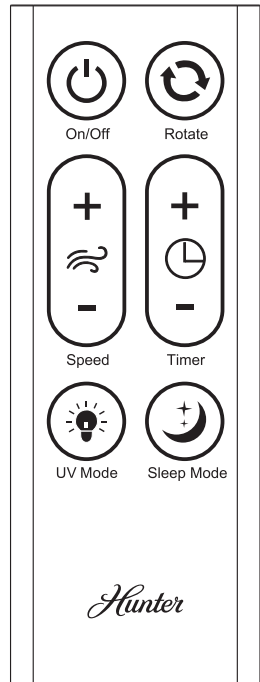
HEPA Indicator Light: Your Hunter® air purifier is programmed to remind you to replace the HEPA filter after 6 months, based on continuous use (approximately 4,320 hours). A light will appear on digital display, indicating HEPA filter should be replaced.

USING THE REMOTE

Remote has magnet to store on air purifier. Attach remote to back of air purifier, at base of blade, with buttons facing out.

Power: Press On/Off to power on. Press again to power off.

Rotate: To turn rotation on or off, press Rotate. When rotation is turned off, air purifier will pause in the exact position until Rotate is pressed again.



Operating Your Air Purifier

Speed: To increase Speed, press the + until desired Speed is reached. To decrease Speed, press the - until desired Speed is reached. Speed will display on control panel.

Timer: To increase length of timer, press the + until desired Timer is reached. To decrease length of timer, press the - until desired Timer is reached. Timer will display on control panel.

Accent Light: When UV Mode is activated by pressing UV Mode button, air purifier accent light will turn on. Accent light is NOT the UVC light, only an indicator that UV Mode is on. UVC light is enclosed in the base of the unit to avoid exposure or harm.

Sleep Mode: To turn Sleep Mode on or off, press Sleep Mode.

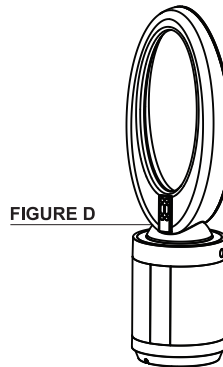
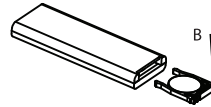
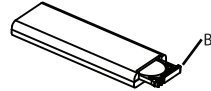
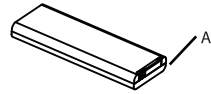
REPLACING THE REMOTE CONTROL BATTERY:

1. Turn over remote control. Press tab A toward the right and pull.
2. Pull out battery holder B and replace the battery. Only use the specified battery type (Lithium Button Cell Battery CR2025). the battery must be installed with the positive side facing up.
3. Insert battery holder B back into remote.

Note: Do not apply excessive force to battery holder. Remove battery when not using for an extended period of time. When disposing of used battery, please use the correct method of disposal.

ATTACHING THE REMOTE:

The remote has a magnet so you can store it on the unit. Attach the remote to the back of the unit (FIGURE D) at the base of the blade with the button facing out.



WARNING



Keep the lithium battery out of reach of small children.

Small children may accidentally swallow it. If swallowed, call your doctor immediately.



Battery : Lithium Button Cell Battery (CR2025)

Exterior Maintenance

WARNING



Electrical Shock Hazard
Disconnect power before servicing.
Replace all parts and panels before operating.
Failure to do so can result in death or electrical shot.

CLEANING THE AIR PURIFIER:

Before cleaning, please read the following:

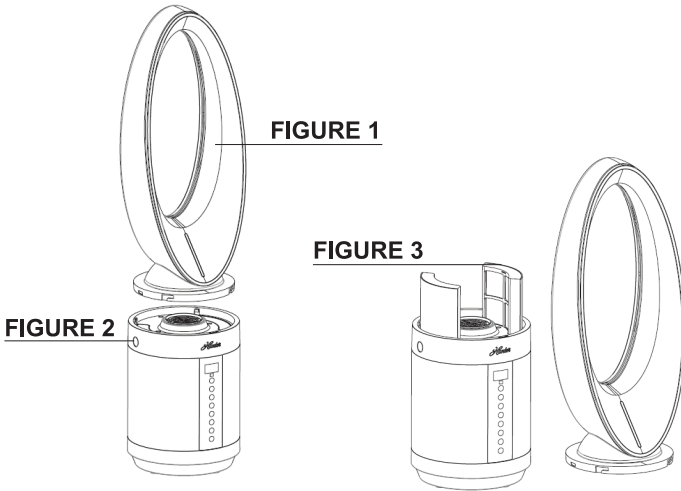
- Always unplug the air purifier and disconnect from power before cleaning.
- Use only a soft, damp cloth to gently wipe outer surfaces of air purifier.
- Do not immerse air purifier in water or other liquid and never allow water to drip on motor housing.
- Do not use gasoline, paint thinner or any other corrosive cleaning solutions to clean air purifier.
- If air purifier will not be in use for an extended period of time, you may leave air purifier assembled. Cover to protect from dust. Store in a cool, dry place.

Filter Maintenance

Filter Replacement Instructions:

Remove any packaging and plastic bag from the new filter before replacement.

1. Switch off and disconnect air purifier from supply socket.
2. Use one hand to hold the unit's blade(Figure 1)
3. Use the other hand to press the release button (Figure 2)
4. Unscrew and take out the blade (Figure 1)
5. Remove pre-filters from each HEPA filter by gently pulling away from Velcro.
6. Align new pre-filters with each HEPA filter and firmly press to attach.
7. Slide filters back in compartment of base, tab side facing up.
8. Place blade back on base. Align tabs, then twist clockwise to lock into place.
9. Dispose of dirty filter.



Filter Ordering

Replacement filters may be ordered online at www.hunterpureair.com or by phone by calling Hunter® Customer Support at (855) 887-1440. Applicable state and local taxes may apply. Prices are subject to change without notice.

| Air Purifier Model | Type | Part Number |
|--------------------|---|-------------|
| HPF500 | Pre-Filter, 4-Pack | H-PF500 |
| HPF500 | 2 HEPA & Photocatalyst, & 4 Pre-Filters | H-HF500-VP |

Trouble Shooting Tips

Unit does not operate:

If the air purifier shuts off unexpectedly, safety features may be activated to prevent damage or injury. If this happens, check the following:

1. Is the air purifier plugged into a working electrical outlet?
2. Are the filters correctly located in place?
3. Is the blade locked firmly in place?
4. Has a household fuse blown, or has a circuit breaker tripped? Replace the fuse or reset the circuit breaker. If the problem continues, call an electrician.
5. Was a regular fuse used? Use a time-delay fuse or time-delay circuit breaker.

Unit makes an unusual noise:

If this happens, do the following:

1. Reset the air purifier. Unplug the unit for 1 minute, then plug it back in.
2. Check the installation of the filters.
3. Check to see if the filters need to be cleaned or replaced.

Unit has reduced air flow or increased noise:

The filter may be excessively dirty. Replace or clean filter as needed.

NOTE: If you continue to experience a problem, please call Hunter Customer Support toll-free (USA & Canada): (855) 887-1440 OR see your warranty.

WARNING: DO NOT attempt to take apart the unit by yourself. Doing so may void your warranty and cause damage to the product or personal injury.

Technical Support

If you have additional questions or problems with your Hunter® Air Purifier, please call Hunter® Customer Support toll-free (USA & Canada): (855) 887-1440.

HOURS OF OPERATION ARE MONDAY-FRIDAY 8:00AM-6:00PM EST. YOU MAY ALSO CONTACT US ONLINE www.hunterpureair.com.

Warranty

Hunter® Air Purifier 5 Year Limited Warranty

Hunter® makes the following limited warranty to the original residential user or consumer purchaser of the Air Purifier: for five (5) years from date of purchase, if the air purifier motor fails when operated and maintained according to instructions attached to or furnished with the product, Hunter® will repair or, at our option, replace your air purifier with an identical or comparable air purifier. If the Air Purifier cord or grille fails within one (1) year from date of purchase when operated and maintained according to instructions attached to or furnished with the product, Hunter® will repair or, at our option, replace your air purifier with an identical or comparable air purifier. This warranty does not cover the pre-filter or HEPA filter. Failure to clean and/or maintain the air purifier, including replacing filters when necessary, will invalidate this warranty.

IF THE ORIGINAL RESIDENTIAL USER OR CONSUMER PURCHASER CEASES TO OWN THE AIR PURIFIER, THIS WARRANTY AND ANY IMPLIED WARRANTY WHICH THEN REMAINS IN EFFECT, INCLUDING BUT NOT LIMITED TO ANY IMPLIED WARRANTY OF MERCHANTABILITY OR FITNESS FOR A PARTICULAR PURPOSE, ARE VOIDED. NO WARRANTY, EXPRESSED OR IMPLIED, INCLUDING ANY WARRANTY OF MERCHANTABILITY OR FITNESS FOR A PARTICULAR PURPOSE, IS MADE IN RESPECT TO THE FILTER MATERIAL OR CARBON FILTER. THIS WARRANTY IS IN LIEU OF ALL OTHER EXPRESS WARRANTIES. THE DURATION OF ANY IMPLIED WARRANTY, INCLUDING BUT NOT LIMITED TO ANY IMPLIED WARRANTY OF MERCHANTABILITY OR FITNESS FOR A PARTICULAR PURPOSE, IN RESPECT TO THE MOTOR IS EXPRESSLY LIMITED TO THE PERIOD OF THE EXPRESS WARRANTY SET FORTH ABOVE.

This warranty is voided if the air purifier is not purchased and used in the USA or Canada. This warranty excludes and does not cover defects, malfunctions or failures of the Air Purifier which were caused by repairs by persons not authorized by us, use of parts or accessories not authorized by us, mishandling, modification, or damage to the Air Purifier while in your possession, or unreasonable use, including failure to provide reasonable and necessary maintenance. This warranty does not cover Air Purifiers used in commercial applications. There are no express or implied warranties as to commercial purchasers or users.

Warranty

To obtain service, contact Hunter® Customer Support at (855) 887-1440. You will be responsible for insurance and freight or other transportation to our factory service center. We will return the air purifier freight prepaid.

The air purifier should be properly packaged to avoid damage in transit since we will not be responsible for any such damage. Proof of purchase is required when requesting warranty service. The purchaser must present sales receipt or other document that establishes proof of purchase.

IN NO EVENT SHALL HUNTER® BE LIABLE FOR DIRECT, INDIRECT, SPECIAL CONSEQUENTIAL OR INCIDENTAL DAMAGES IN EXCESS OF THE PURCHASE PRICE OF THE AIR PURIFIER. YOUR SOLE REMEDY WILL BE REPAIR OR REPLACEMENT AS PROVIDED ABOVE. SOME AMERICAN STATES AND CANADIAN PROVINCES DO NOT ALLOW LIMITATIONS ON HOW LONG AN IMPLIED WARRANTY LASTS, SO THE ABOVE LIMITATION MAY NOT APPLY TO YOU.

SOME AMERICAN STATES AND CANADIAN PROVINCES DO NOT ALLOW THE EXCLUSION OR LIMITATION OF DIRECT, INDIRECT SPECIAL, INCIDENTAL OR CONSEQUENTIAL DAMAGES, SO THE ABOVE LIMITATION MAY NOT APPLY TO YOU.

SOME AMERICAN STATES AND CANADIAN PROVINCES DO NOT ALLOW THE EXCLUSION OR INVALIDITY OF EXPRESS OR IMPLIED WARRANTIES IF THE USER CEASES TO OWN THE AIR PURIFIER, SO THE ABOVE LIMITATION MAY NOT APPLY TO YOU. THIS WARRANTY GIVES YOU SPECIFIC LEGAL RIGHTS, AND YOU MAY ALSO HAVE OTHER RIGHTS WHICH VARY FROM STATE TO STATE OR PROVINCE TO PROVINCE.