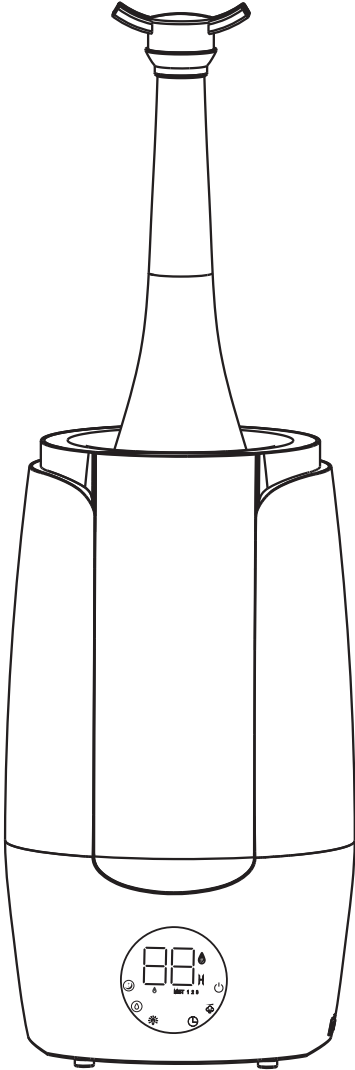


Hunter
SINCE 1886

Aspire 2.2 Gal Ultrasonic Cool Mist Humidifier



English

**Models:
HHU400
(All Colors)**

READ AND SAVE THESE INSTRUCTIONS

Form #HHU400

08012023

© 2023 Produced exclusively for Mindful LLC under license by Hunter Fan Company

All rights reserved

Table of Contents

Safety Instructions	1
Initial Setup	2
Operation	3
Control Panel	4
Remote Control	5-6
Extension Wand	7
Dual-Port Nozzle	8
Maintenance	9-11
Troubleshooting	12
Customer Support	13
Limited Warranty	14-16

Safety Instructions

Thank you for choosing the Hunter Aspire 2.2 Gal Ultrasonic Cool Mist Humidifier! Please read and save these instructions to receive the maximum benefit and performance from your humidifier.

READ AND SAVE THESE INSTRUCTIONS!
Important Safety Instructions:
Read all instructions before using this humidifier

- This humidifier may not work properly on an uneven surface. ALWAYS place this humidifier on a firm, level, and water resistant surface.
- ALWAYS place the humidifier at least six (6) inches away from walls, heat sources, and electrical appliances such as stoves, radiators, or heaters.
- ALWAYS place the humidifier in an area that is out of the reach of children.
- Before using the humidifier, extend the cord and inspect for any signs of damage. DO NOT use the product if the cord has been damaged.
- Do not use the product outdoors or in locations subject to rain, water, heat, fire or sun.
- Never wrap a power cord around product or other object. Doing so can stress the cord in ways that can cause the cord to fray, crack, or crimp. This can present a safety hazard.
- Protect power cord from liquids. Do not leave power cord near sinks, tubs, toilets, or on floors that are cleaned with liquid cleaners. Liquids can cause a short circuit.
- Ensure that all power cord connectors are securely and completely plugged into receptacles.
- Do not use product if power cord shows corrosion or signs of overheating.
- To prevent possible overheating, do not cover the power cord with clothing or other objects when the power cord is plugged into an electrical outlet.
- ALWAYS UNPLUG AND EMPTY the humidifier when it is not in operation or while it is being cleaned.
- Use only clean, cool tap water when filling the tank. DO NOT use hot water.
- Never add medication of any type to the water tank.
- You should never leave the unit unattended in a closed room. The room can become saturated and leave condensation on walls and furniture. Always leave a door partially open.
- This device complies with part 18 of the FCC Rules.
- To reduce risk of fire, electric shock, or injury, place the unit and cord where it is not likely to be tipped or bumped.
- Do not overfill the humidifier due to potential risk of electric shock.
- ALWAYS disconnect the product from power source before performing any maintenance or cleaning.

Initial Setup

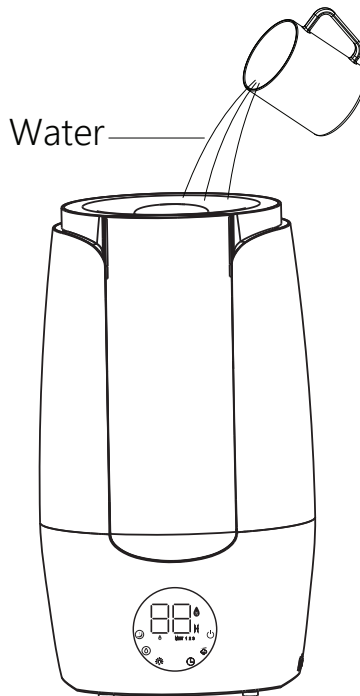
1. Remove the humidifier from packaging and place on a sturdy, flat surface.
2. Unravel and straighten the cord before use.
3. Remove the top cover from the humidifier.
4. Add fresh, clean tap water to tank. DO NOT fill humidifier through middle tube.

Figure 1

5. Reattach top cover.

WARNING: Never fill humidifier with hot water.

Figure 1



Operation

Power On: Follow the *Initial Setup* instructions. Plug humidifier into wall outlet. On humidifier, press power button to turn on unit. Humidifier will beep and light up as indication that it is working. Current humidity will automatically display.

Power Off: On humidifier, press power switch to OFF. Humidifier will beep as indication. Empty water tank.

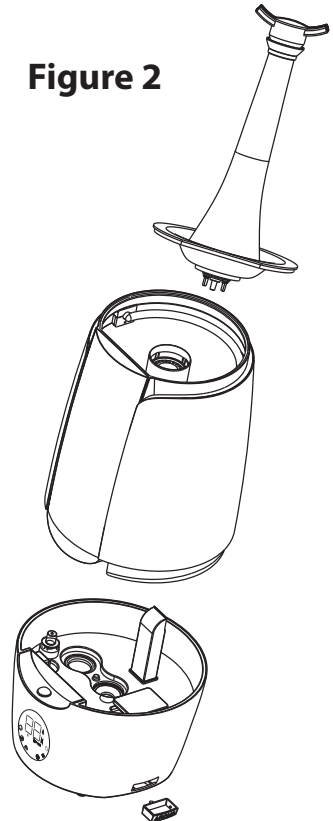
Refill Water Tank: See Initial Setup for instructions on refilling water tank.

Auto Shut-Off: When humidifier is empty, unit will automatically shut off and a light will flash 3 times and light up red, indicating humidifier needs to be refilled. Turn off and unplug humidifier before refilling tank. See *Initial Setup* for instructions on refilling water tank.

Essential Oil Tray: We recommend adding a few drops of your favorite essential oil to the tray for an aromatherapy experience.

Extension Wand: Amplify your humidifier's reach and capabilities with the extension wand and dual-port nozzle. See *Extension Wand Installation* for instructions on how to use the extender.

Figure 2



Control Panel

Sleep Mode: Press once to turn off the display lights and run the humidifier on low mist. Press again to turn off sleep mode.

Humidity Level: Humidity can be adjusted between 40%-80% RH (relative humidity). To set desired humidity level, press the button. Humidity level will increase by 5% each time button is pressed. For continuous humidity, press the button until "CO" appears. Once desired humidity level displays, the humidity will blink four times to signal humidity level is set. If desired humidity is less than current humidity, humidifier will go into sleep mode. If desired humidity is higher than current humidity, humidify function will work.

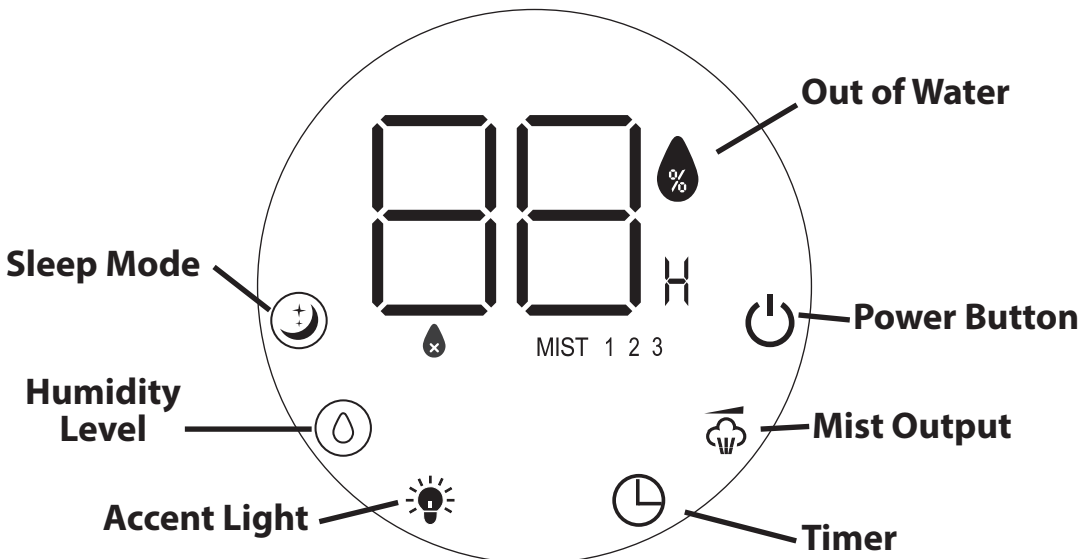
Accent Light: Press once to turn on the accent light. There are five colors to choose from. Press through the options to turn off the accent light.

Timer: Press button to set timer. By default timer will start at "CO" for continuous. Timer will then increase by one hour each time button is pressed, up to 12 hours. Once desired timer displays, the timer will blink four times to signal timer is set. Unit will automatically shut off after time runs out.

Mist Output: Unit will start running on low speed, press once for medium speed, twice for high speed and a third time to return to low speed.

Power Button: Press button to power humidifier on or off.

Out of Water: Fill the tank with water to continue use.



Remote Control

Using the Remote:

Your remote comes with a battery installed and does not need to be programmed. Before using your remote for the first time, you must take out the pull tab. To use remote, make sure to point it at the front of the unit. The remote will not work when pointed to the backside of the unit.

Sleep Mode: Press once to turn off the display lights and run the humidifier on low mist. Press again to turn off sleep mode.

Humidity Level: Humidity can be adjusted between 40%-80% RH (relative humidity). To set desired humidity level, press the button. Humidity level will increase by 5% each time button is pressed. For continuous humidity, press the button until "CO" appears. Once desired humidity level displays, the humidity will blink four times to signal humidity level is set.

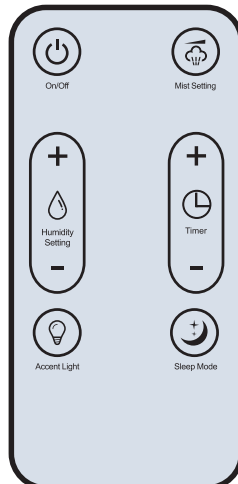
Accent Light: Press once to turn on the accent light. There are five colors to choose from. Press through the options to turn off the accent light.

Timer: Timer can be set between 1-12 hours. Press the "+" to increase the timer by 1 hour each time button is pressed. Press the "-" to decrease the timer by 1 hour each time button is pressed. By default, timer will start at "CO" for continuous. Once desired timer displays, the timer will blink four times to signal timer is set.

Mist Output: Unit will start running on low speed, press once for medium speed, twice for high speed and a third time to return to low speed.

Power Button: Press button to power humidifier on or off.

Figure 3



Remote Control

Replacing the Remote Control Battery:

1. Turn over remote control. Press tab A toward the right and pull.

Figure 4

2. Pull out battery holder B and replace the battery. Only use the specified battery type (Lithium Button Cell Battery CR2025). The battery must be installed with the positive side facing up. **Figure 5**

3. Insert battery holder B back into remote. **Figure 6**

Note: Do not apply excessive force to battery holder. Remove battery when not using for an extended period of time. When disposing of used battery, please use the correct method of disposal.

Figure 4

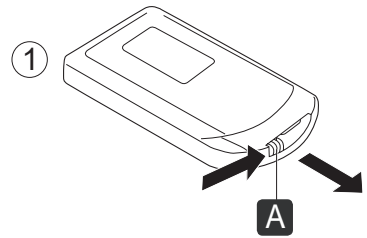


Figure 5

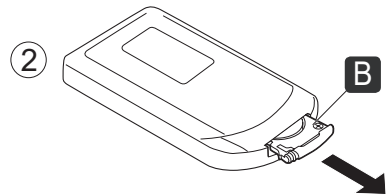
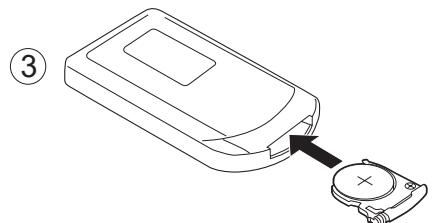


Figure 6



WARNING



Keep the lithium battery out of reach of small children.

Small children may accidentally swallow it.
If swallowed, call your doctor immediately.

Extension Wand

Extension Wand Installation:

Amplify your humidifier's reach and capabilities with the optional extension wand and dual-port nozzle. Follow these steps to use the extension wand correctly:

1. Turn off humidifier and unplug from wall outlet.
2. Take the dual-port nozzle and attach it to the upper part of the extension tube. **Figure A**
3. Turn the upper tube clockwise to connect it to the bottom portion of the extension tube. **Figure B**
4. Press the extension tube to the top cover of the humidifier to establish the extension wand. **Figure C**
5. Make sure the extension wand is securely attached to the humidifier. **Figure 4**

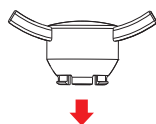


Figure A



Figure B

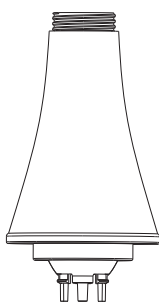


Figure C

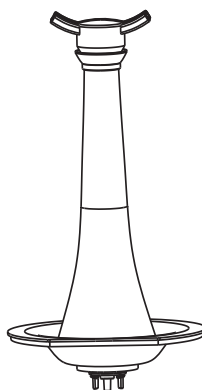
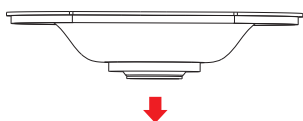
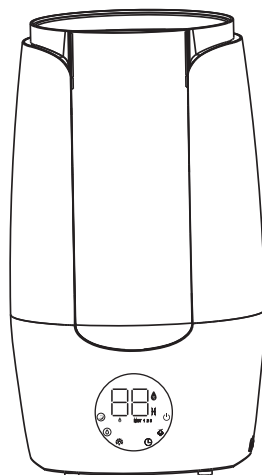


Figure 4



Dual-Port Nozzle

Dual-Port Nozzle Installation:

For a closer mist, your humidifier can run with only the dual-port nozzle. Follow these steps to use the dual-port nozzle correctly:

1. Turn off humidifier and unplug from wall outlet.
2. Take the dual-port nozzle and attach it to the top cover of the humidifier.

Figure A

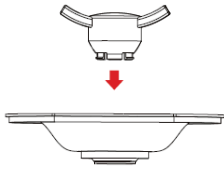


Figure A

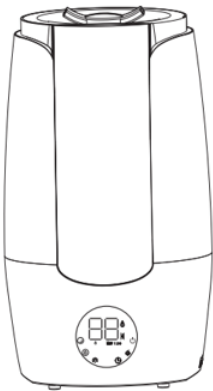


Figure B

Maintenance

Note: ALWAYS unplug the humidifier from electrical outlet before cleaning. NEVER allow water to sit in water tank when not in use.

Hard water can cause calcium and magnesium to build up in a white powder on base of unit, transducer, and inner surface of water tank. Over time, this can cause humidifier to stop working properly.

It is recommended to clean the humidifier daily, and clean the water purifying cartridge every 1-3 months, depending on water hardness.

Humidifier should be emptied and cleaned before storage.

Use a dry, soft cloth to dry humidifier after each cleaning.

Daily Maintenance:

It is recommended to refill the humidifier with water every day to avoid odor from sitting water and hard water build up.

1. Turn off humidifier and unplug from wall outlet.
2. Remove top cover.
3. Grab handle and lift water tank out of the unit. Drain any water into a sink or tub. Shake water tank gently to remove any remaining water.
4. Rinse water tank thoroughly with water, empty, and wipe with a dry, soft cloth.
5. Wipe humidifier base with a dry cloth if necessary.
6. Refill water tank as directed under *Initial Setup* and resume use.

Cleaning the Unit:

Hard water can cause calcium and magnesium to build up on base of unit in the form of white powder. Clean as often as needed.

1. Wipe off surface and base of humidifier. For best results, use a microfiber cloth.
2. Rinse surface and base with clean water.

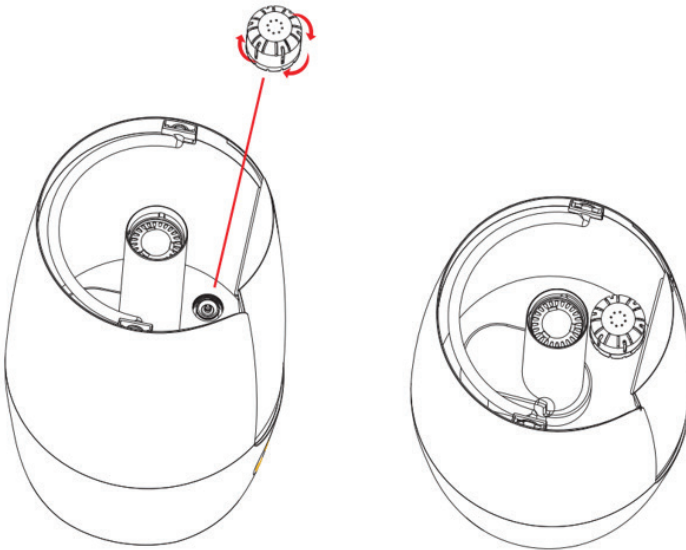
Maintenance

Cleaning the Water Purifying Cartridge:

It is recommended to clean the water purifying cartridge every 1-3 months, depending on the water hardness.

1. Turn off humidifier and unplug from wall outlet.
2. Remove top cover.
3. Grab handle and lift water tank out of the unit and empty.
4. Unscrew the water purifying cartridge from the tank. **Figure 5**
5. Submerge cartridge in white vinegar for 10 minutes.
6. Remove cartridge from white vinegar. Shake several times to remove any remaining solution. Rinse with clean water.
7. Wipe off remaining water with a dry, clean cloth.
8. Screw the cartridge back into place, refill water tank as directed under initial setup and resume use. **Figure 5**

Figure 5



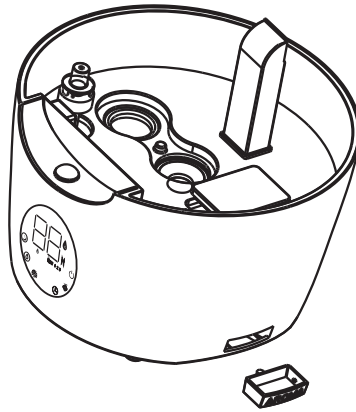
Maintenance

Cleaning the Aroma Port:

It is recommended to clean the aroma port and pad after every essential oil use.

1. Turn off humidifier and unplug from wall outlet.
2. Press in on aroma port to release the tray.
3. Remove the aroma pad, rinse it out or replace with a new one.
4. Use a damp, soft cloth to clean the inside of the tray.
5. Allow both the tray and the pad to air dry.
6. Insert pad into tray, laying flat, and return tray to humidifier.

Figure 6



End of Season Storage:

When putting humidifier in storage at the end of the season, it is important to thoroughly clean and dry unit to avoid odor and calcium and magnesium build up.

1. Follow all instructions for maintenance before storing the unit.
2. Ensure all parts are completely dry before storing the unit.
3. Store the unit in a cool, dry place.
4. Never store the unit with water in the tank.

Hunter® is not liable for any damages of any kind resulting from misuse or improper maintenance. Warranty is only valid when proper maintenance, as stated in this user manual, has been followed, as warranties apply explicitly to manufacturer's defects only.

Troubleshooting

Problem: Excessive Noise

Solution:

1. The water tank is not attached correctly. Properly secure water tank to base of unit.
2. The humidifier is on an unstable surface. Place humidifier on a sturdy, flat surface.
3. The water tank does not have enough water. Fill water tank with water. See *Initial Setup*.

Problem: Humidifier not working

Solution:

1. The humidifier is not connected to power. Plug humidifier into a wall outlet and press the power button.
2. The water tank does not have enough water. Fill water tank with water. See *Initial Setup*.
3. The water tank has too much water. Remove excess water from tank.

Problem: Abnormal mist smell

Solution:

1. The unit is new. Remove tank cover and let water tank air out for 12 hours in a dry, cool space.
2. The water is dirty or has been sitting in unit too long. Clean water tank and add fresh, clean water. See instructions in *Maintenance*.

Problem: Not enough mist coming from humidifier

Solution:

1. There is too much calcium and magnesium build-up. Clean the water purifying cartridge and unit. See instructions in *Maintenance*.
2. The water is dirty or has been sitting in unit too long. Clean water tank and add fresh, clean water. See instructions in *Maintenance*.

Customer Support

Technical Support

If you need any assistance with setup, operation, or parts for your new Hunter® humidifier, please call us. Our technical support staff is ready to help!

USA/Canada: 855-887-1440
Email: info@hunterpureair.com

Hours of operation are from 8:00 AM to 6:00 PM ET, Monday through Friday. You may also contact us online at **www.hunterpureair.com**.

For all of the latest updates and promotions, follow us on our social media channels:



@hunterpureair



@hunter_pureair

Limited Warranty

Hunter® Pure Air makes the following limited warranty to the original residential user or consumer purchaser of the **Ultrasonic Cool Mist Humidifier**: If any part of the **Ultrasonic Cool Mist Humidifier** fails during the first (1) year from the date of purchase due to a defect in material or workmanship, we will provide a replacement part free of charge. If no replacement part can be provided, we will replace your **humidifier**.

IF THE ORIGINAL RESIDENTIAL USER OR CONSUMER PURCHASER CEASES TO OWN THE **ULTRASONIC COOL MIST HUMIDIFIER**, THIS WARRANTY AND ANY IMPLIED WARRANTY WHICH THEN REMAINS IN EFFECT, INCLUDING BUT NOT LIMITED TO ANY IMPLIED WARRANTY OF MERCHANTABILITY OR FITNESS FOR A PARTICULAR PURPOSE, ARE VOIDED. THIS WARRANTY IS IN LIEU OF ALL OTHER EXPRESS WARRANTIES. THE DURATION OF ANY IMPLIED WARRANTY, INCLUDING BUT NOT LIMITED TO ANY IMPLIED WARRANTY OF MERCHANTABILITY OR FITNESS FOR A PARTICULAR PURPOSE IS EXPRESSLY LIMITED TO THE PERIOD OF THE EXPRESS WARRANTY SET FORTH ABOVE.

This warranty is voided if your **Ultrasonic Cool Mist Humidifier** is not purchased and used in the USA or Canada.

This warranty excludes and does not cover defects, malfunctions, or failures of the **humidifier** which were caused by repairs by persons not authorized by us, use of parts, or accessories not authorized by us, mishandling, possession, or unreasonable use, including failure to provide reasonable and necessary maintenance. This warranty does not cover **humidifiers** used in commercial applications. There are no express or implied warranties as to commercial purchasers or users.

See next page for more information on what is not covered.

Limited Warranty

What is not covered:

- Units that are sold “as is”, are used, or sold by unauthorized resellers (an unauthorized reseller is defined as any third-party reseller who has no official relationship with Mindful LLC.)
- Shipping or freight charges to return products for warranty service.
- Commercial or non-residential use or use inconsistent with the product instructions and manuals.
- Consumable parts (e.g., light bulbs, batteries, filters, etc.)
- Defects or damage resulting from accident, misuse, abuse, alteration, fire, floods, or acts of God.
- Cosmetic damage (e.g., scratches, dents, chips, and other damage to finishes), unless such damage results from defects in materials and workmanship and is reported within 30 days from date of delivery.
- Units with original, factory installed model numbers removed, altered, or not easily determined.
- Damage resulting from improper packing of products returned for warranty service.
- Replacement parts, repair labor costs and/or replacement of a “failed” **humidifier** operated outside the United States and Canada.
- Mindful LLC will have the final determination regarding who an unauthorized reseller is determined to be.

Limited Warranty

To obtain service, contact Hunter® Pure Air Customer Service at 855-887-1440. You will be responsible for insurance and freight or other transportation to our factory service center. We will return the freight prepaid. The **Ultrasonic Cool Mist Humidifier** should be properly packaged to avoid damage in transit since we will not be responsible for any such damage. Proof of purchase is required when requesting warranty service. The purchaser must present sales receipt or other document that establishes proof of purchase.

IN NO EVENT SHALL **HUNTER PURE AIR** BE LIABLE FOR DIRECT, INDIRECT, SPECIAL, CONSEQUENTIAL OR INCIDENTAL DAMAGES IN EXCESS OF THE PURCHASE PRICE OF THE **HUMIDIFIER**. YOUR SOLE REMEDY WILL BE REPAIR OR REPLACEMENT AS PROVIDED ABOVE. SOME AMERICAN STATES AND CANADIAN PROVINCES DO NOT ALLOW:

- LIMITATIONS ON HOW LONG AN IMPLIED WARRANTY LASTS;
- THE EXCLUSION OR LIMITATION OF DIRECT, INDIRECT, SPECIAL, INCIDENTAL, OR CONSEQUENTIAL DAMAGES; THE EXCLUSION OR INVALIDITY OF EXPRESS OR IMPLIED WARRANTIES IF THE USER CEASES TO OWN THE **HUMIDIFIER**;
- THE LIMITATION OF THE REMEDIES AND RECOURSES AVAILABLE TO THE PURCHASER; OR THE INVALIDITY OF AN EXPRESS WARRANTY WHEN A PRODUCT IDENTIFIED BY BRAND NAME IS NOT USED (UNLESS SPECIFIC CONDITIONS ARE FULFILLED); SO THE ABOVE LIMITATIONS OR EXCLUSIONS MAY NOT APPLY TO YOU. THIS WARRANTY GIVES YOU SPECIFIC LEGAL RIGHTS AND YOU MAY ALSO HAVE OTHER RIGHTS WHICH VARY FROM STATE TO STATE OR PROVINCE TO PROVINCE.

To request warranty service, visit www.hunterpureair.com
or call (855) 887-1440