

CLAYMORE LAMP

Selene



User Manual

CLAYMORE LAMP 'Selene'

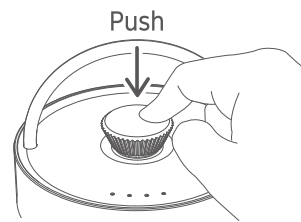
CLL-650WH/DG

MADE IN KOREA

Operation

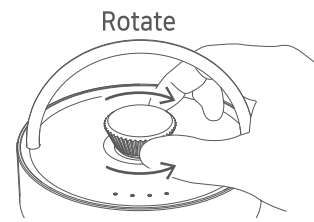
● LED Lantern Function

Power / Light mode control / Battery check



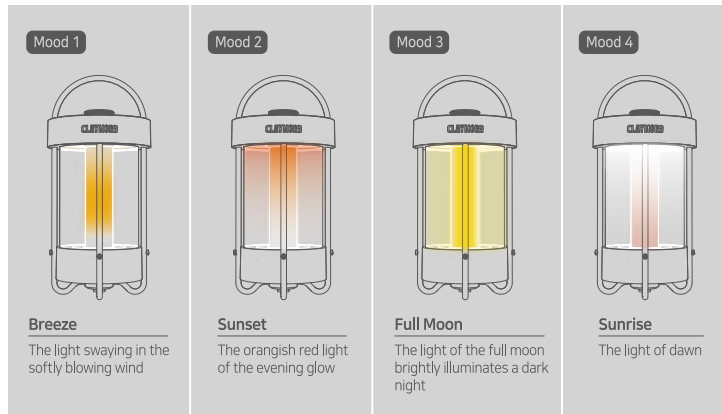
Push
Press the button shortly to turn on light.
ON: Mood1 > Mood2 > Mood3 > Mood4 > OFF
※ Battery indicator shows battery remaining,
When turning on the lights.

Brightness Control



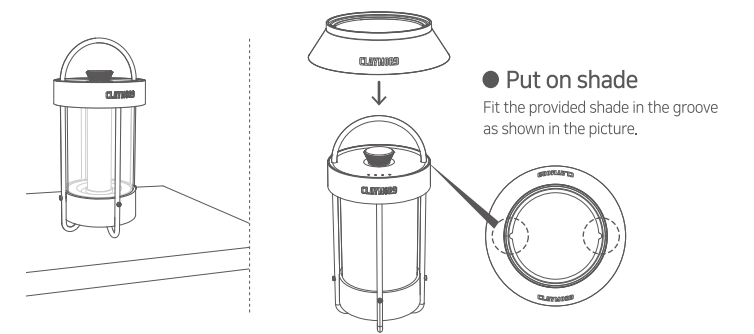
Rotate
When light is on, rotate dial clockwise to increase brightness. Rotate dial counterclockwise to decrease brightness.
※ Blinks once when Maximum and Minimum brightness is reached

[4 different light Mood]



Installation

You can put it on the table or use accessories to create a variety of presentations.

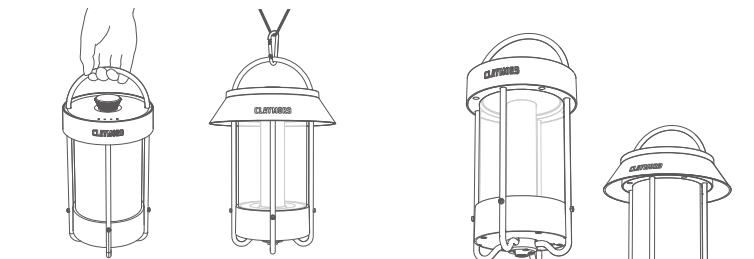


● Put on shade

Fit the provided shade in the groove as shown in the picture.

● Handle & Hook

There is an arched handle for convenient portability, and it can be used hanging by connecting a carabiner.



● Using tripod socket

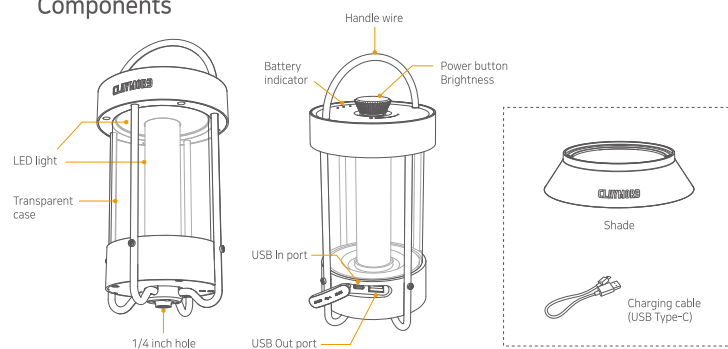
Screw the camera tripod, lantern stand into the 1/4 inch tripod socket at the bottom to fix it. It can be used in various ways by connecting to all products using 1/4 inch screws.
※ Lantern stand is not included.

This portable light contains a Li-ion battery. Please follow the user manual before use. If any abnormality is found in the product, discontinue use and contact the dealer or a service center where the product was purchased. Any modifications of this product will void the warranty. Misuse of CLAYMORE products may cause user harm.

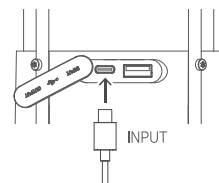
⚠ Caution

- When using product for the first time or storing for an extended period, please charge the battery fully.
- Keep out of reach of children. (For children under the age of 10, please use under adult supervision.)
- Do not disassemble, modify, or repair on your own.
- Do not disassemble, modify the rechargeable battery. It may cause an accident or injury due to ignition, leakage, heat generation, or rupture.
- Be careful in humid environments (e.g. bathroom) or flooding. Discontinue use in case of contact with water.
- If the temperature rises or the outer appearance deforms during charging, discontinue use and contact a customer center.
- Do not use it in high temperature environments such as near fire or heating appliances. It may cause explosion or ignition.
- Do not touch with wet hands. There is a danger of electric shock.
- Do not use in conditions exceeding the acceptable operating temperature range (-10°C~40°C).
- Do not store or use in vehicles exposed to direct sunlight. It may cause explosion or malfunction.
- Do not charge it in contact with easily flammable materials like carpets or blankets.
- After use, be sure to turn off the power for storage.
- If the product is dropped or experiences physical shock, damage may be accumulated inside the product and unexpected malfunction may occur even during normal use. Be careful not to apply physical shocks to the main unit.

Components



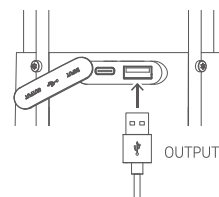
● Charging Method



Open rubber cover on the back and connect USB-C type cable to charge lantern. When charging, battery indicator will flicker. If indicator does not blink and stays lit, it indicates charging is complete.

Battery indicator	Charging	
●○○○	~25%	Flickers
●●○○	25~50%	
●●●○	50~75%	
●●●●	75%~	Stops
●●●●	Fully charged	

● Power Bank Function



Open the rubber cover on the back of the main unit and connect the USB cable to the charging port to initiate charging. When charging, charging indicator will light up.

※ It is not possible to charge the product and use the power bank at the same time.

※ Charging time may vary depending on the battery capacity of the product or external devices and the external environment.

Specification

Product name	CLAYMORE LAMP 'Selene'
Model No.	CLL-650WH/DG
Color temperature	1,300K - 1,500K - 3,000K
Brightness	30~660Lm
Operating time	6~55hour
Size	165×165×250mm
Weight	660g
Battery capacity	Li-ion 3.6V 6,700mAh (24,12Wh)
Charging time	5.5hour
Input	USB 5V 2A
Output	5V 2A
Origin	MADE IN KOREA

Warranty

Item	CLAYMORE LAMP 'Selene'
Model No.	CLL-650WH/DG
Seller	
Date of Purchase	

- Thank you for purchasing CLAYMORE series of Prism Co., Ltd.
- This product has passed strict quality control tests. If the product is not functioning properly, please contact an authorized service center.

Free Service

- Failure of the product under normal operating conditions during the warranty period will be repaired by Prism or authorized service center on free of charge. Some shipping or handling charges may be involved.
- Warranty period: 1 year.

Charged Service

- Damage caused when the warranty period is over.
- Damage caused due to the user's mishandling, abuse, or improper operation.
- Damage caused by arbitrary or personal repair or disassemble in unauthorized service center.
- Damage from input electricity or cable defect.
- Damage caused by natural disaster.

Official Import Distributor

Bigtent Outdoor Equipment Ltd. www.bigtentoutdoors.com
info@bigtentoutdoors.com

Manufacturer

Prism Co., Ltd. www.claymorelight.com / www.prismlight.co.kr
info@prismlight.co.kr
101-1501, Chunui-Technopark, Bucheon-ro 198 Road, 36,
Bucheon-si, Gyeonggi-do, Korea