

MODEL 390S

Automatic Tabletop Labeling System



 **auto labe**

MODEL 390S

Automatic Tabletop Labeling System

- Extremely accurate label placement
- Perfect for pharmaceuticals
- Small footprint for laboratory environments
- Ideal for small, difficult to handle round products

STANDARD FEATURES:

- PLC controlled
- Stepper label and drive motors
- Photoelectric label sensor
- Smart label stop delay
- Label advance switch
- Accommodates various label types
- Touch panel display w/ resettable counter and status indicator

SPECIFICATIONS:

Weight / Dimensions (overall):

Weight: 77lbs.
 Width: 19 ¼ in. / 48.90 cm.
 Length: 30 in. standard.
 38 ¼ - 54 in. w/ infeed chute.

Shipping weight/dimensions:

100 lbs. (approx.)
 41 in. cubed / 104 cm.

Electric:

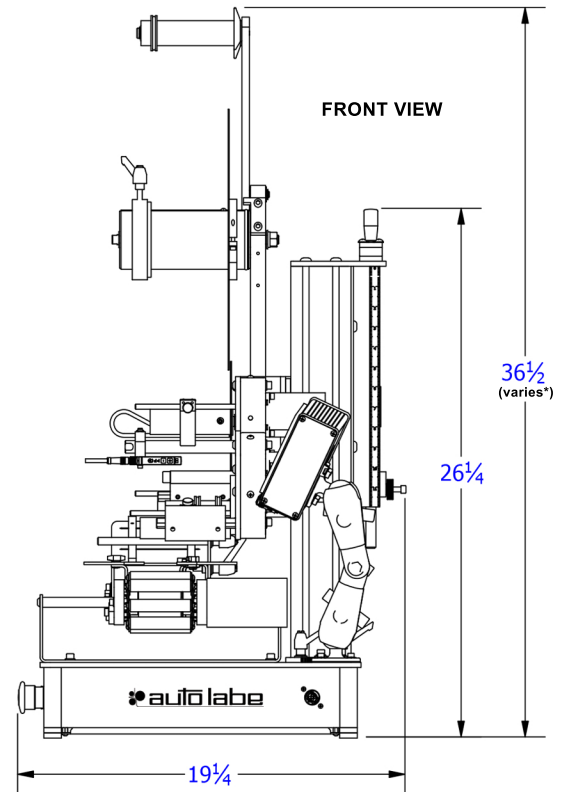
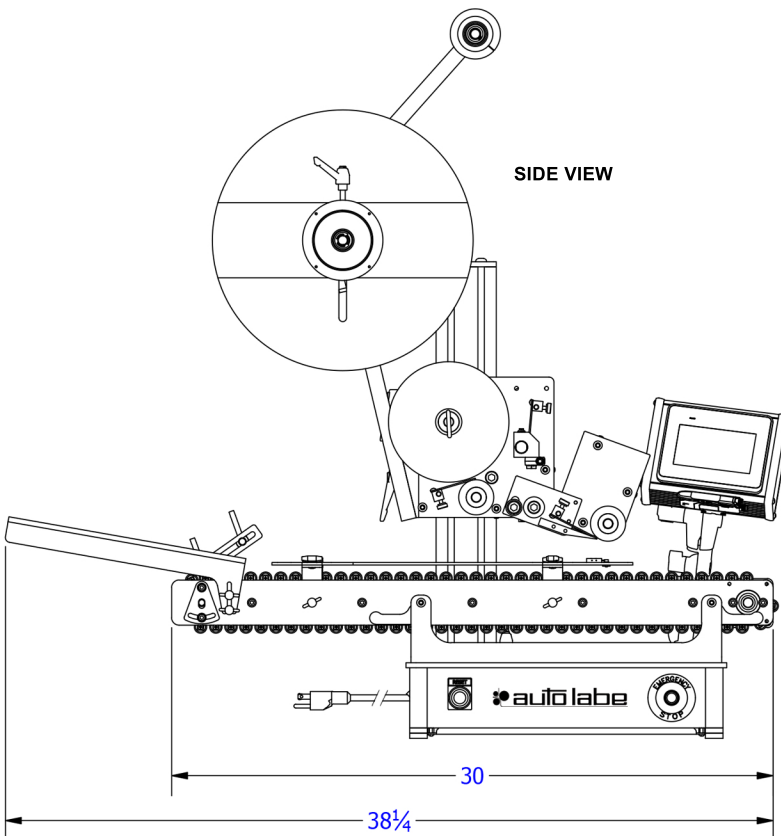
110 VAC 50/60Hz / 10 AMP
 220 VAC 50/60Hz / 5 AMP

LABEL SPECIFICATIONS:

Standard 6" web width
 12" O.D. roll with 3" core
 Pressure sensitive / die cut

OPTIONS AVAILABLE:

- Custom roller cartridges
- Inkjet label coding
- Hot stamp imprinter
- Clear label sensor



3101 Industrial Avenue Two, Fort Pierce, Florida 34946
 772-465-4441 • www.autolabe.com • e-mail: info@autolabe.com