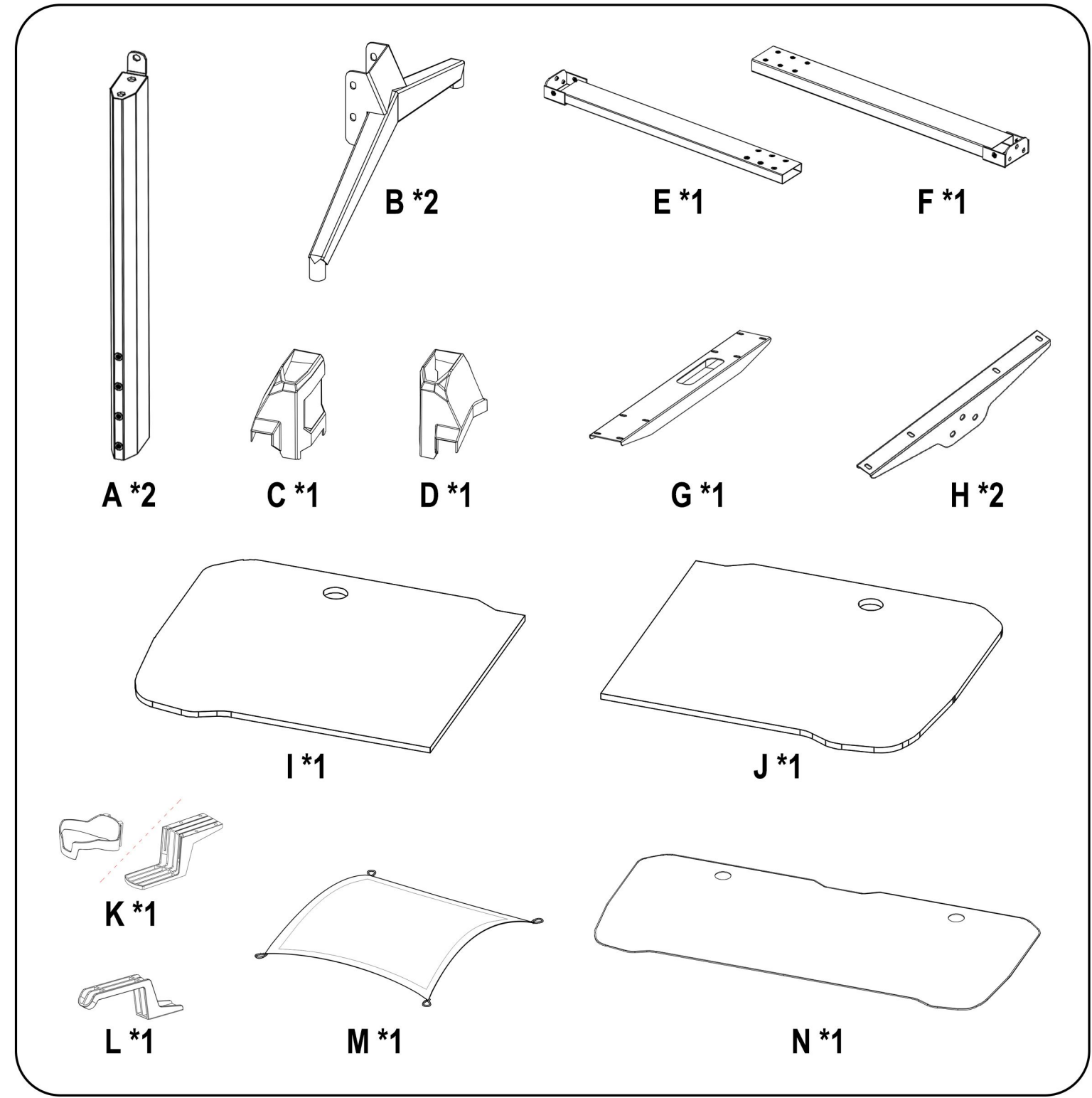
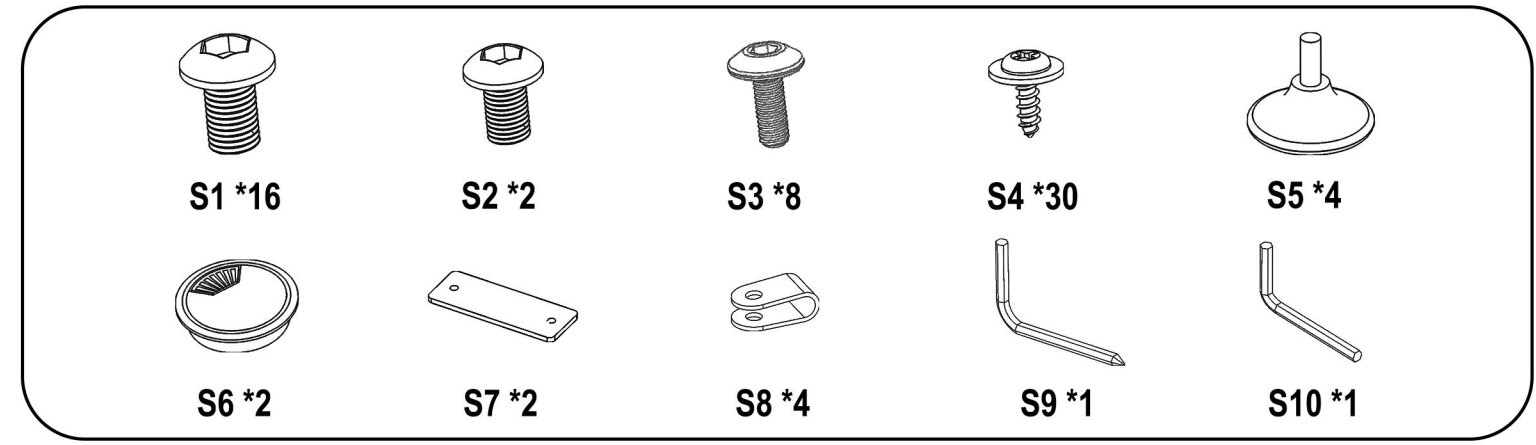
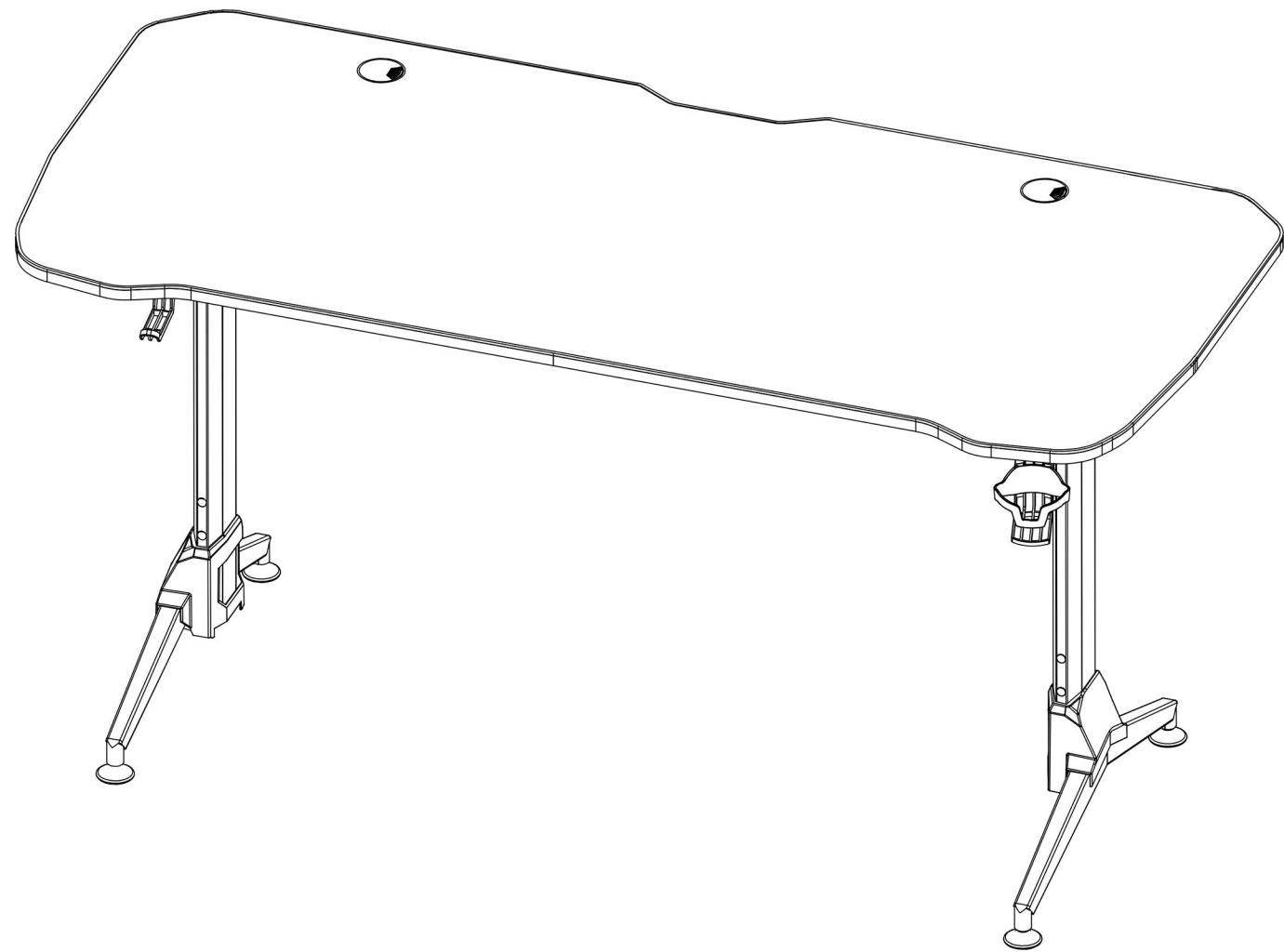
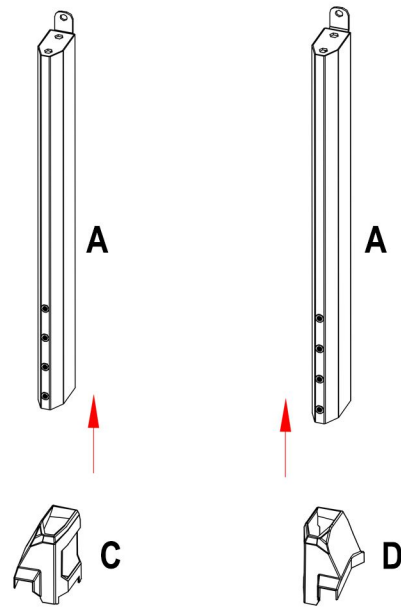


GAMING DESK

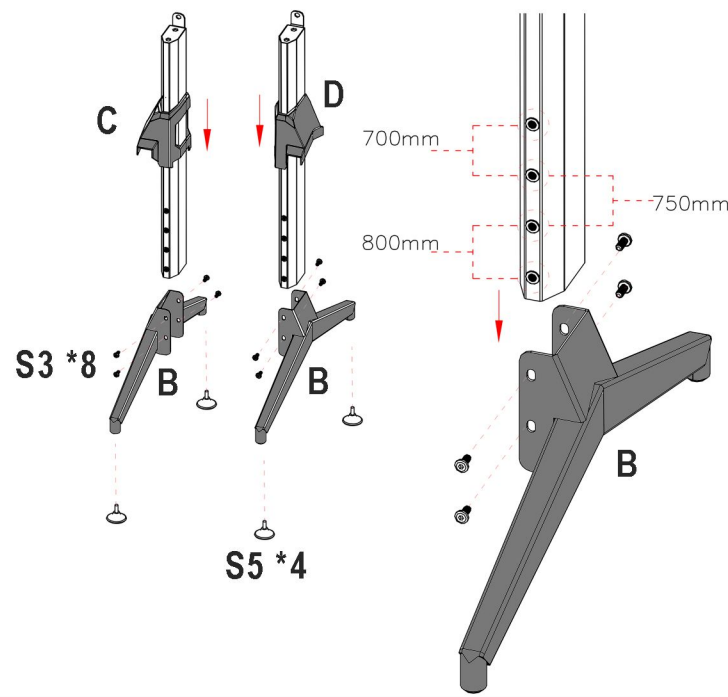
Assembly instruction



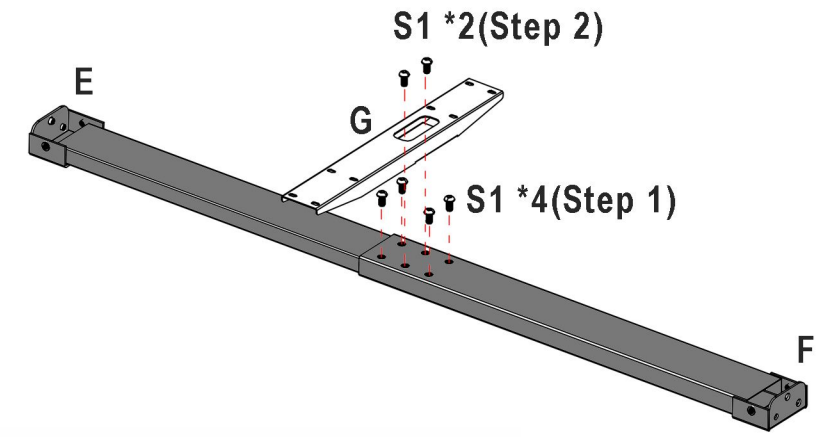
1



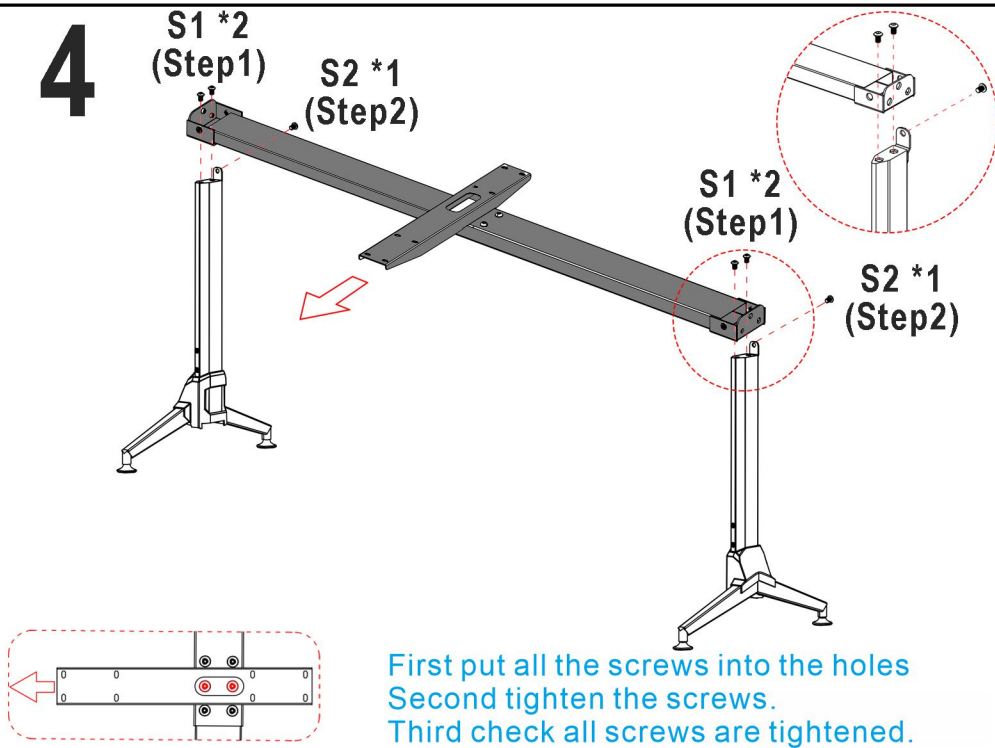
2



3

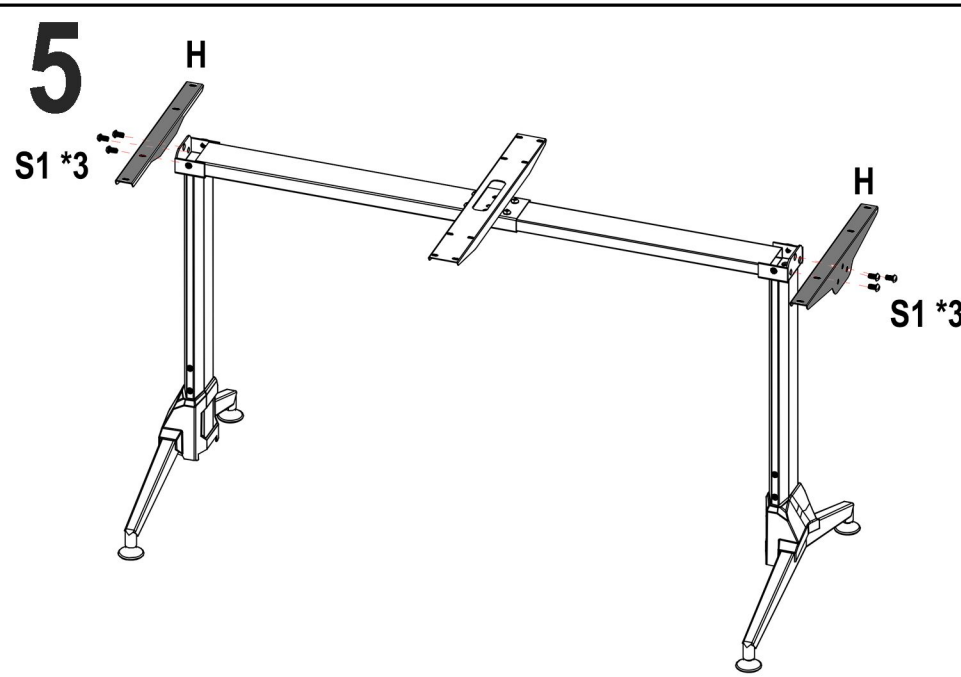


4

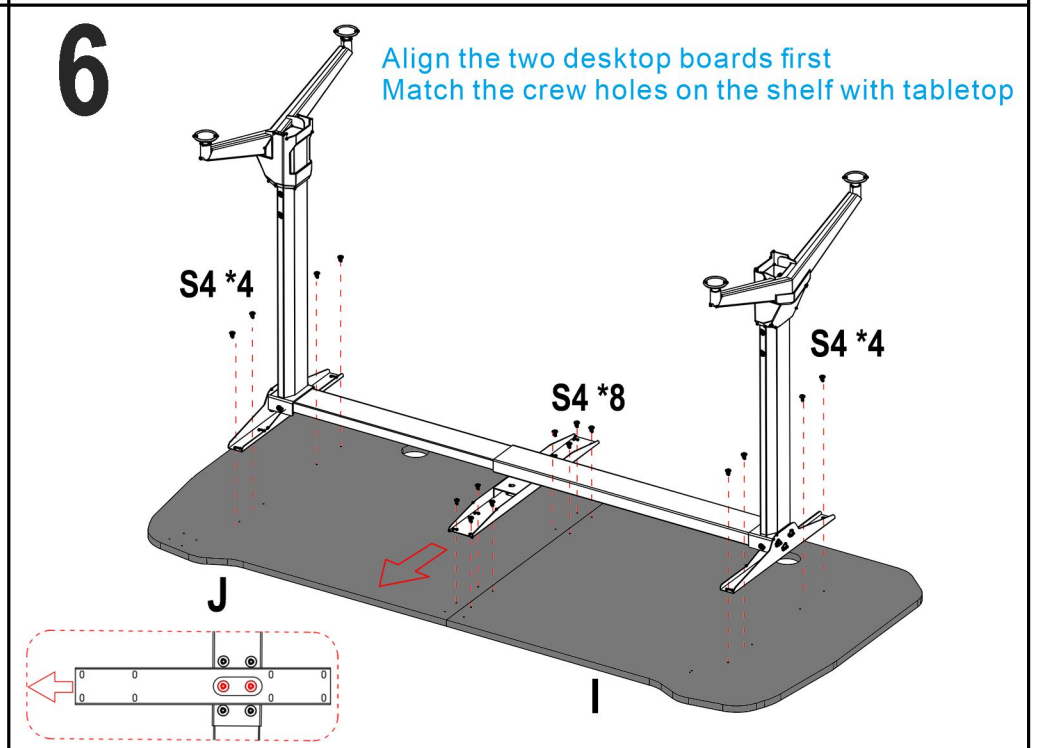


First put all the screws into the holes
Second tighten the screws.
Third check all screws are tightened.

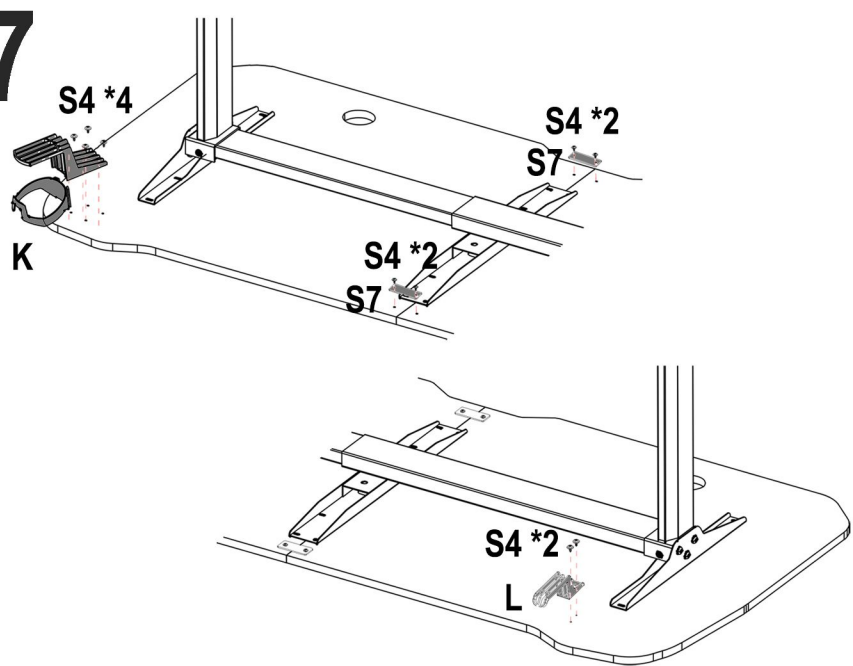
5



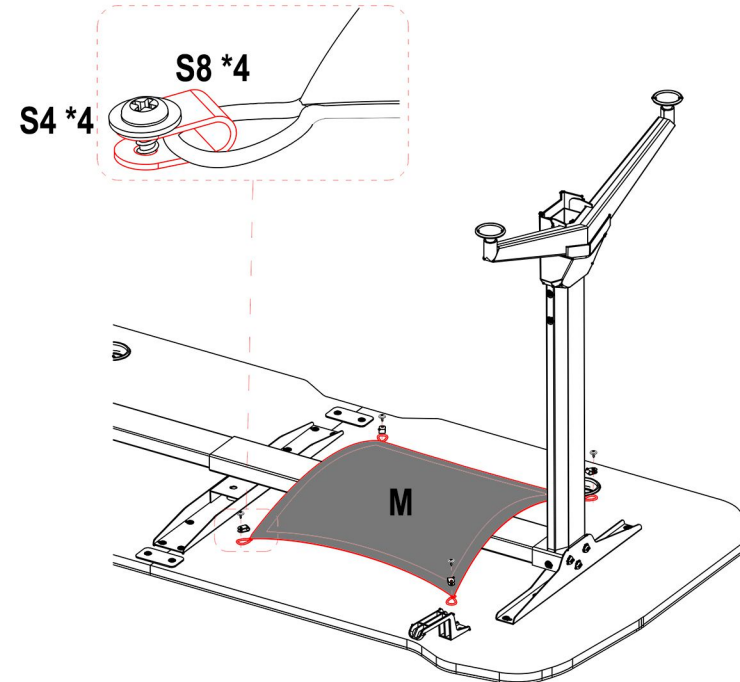
6



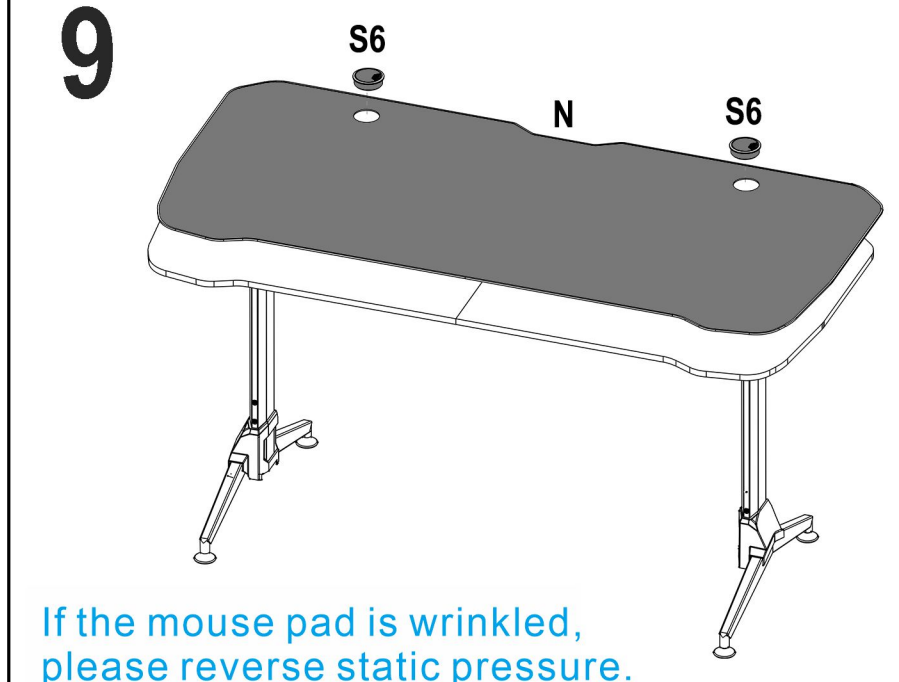
7



8



9



If the mouse pad is wrinkled,
please reverse static pressure.