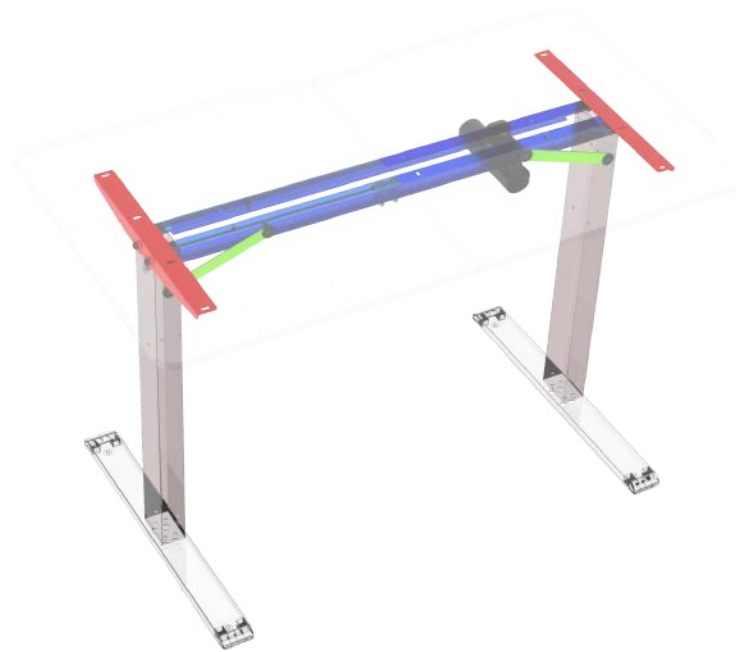


Assembly Instruction



1

(A)*2
(B)
(C)

6mm S1*1
M8*20 S3*10

S3*2 S3*2
S1 S3
S3 S3
⚠ Make sure the Front labels are in the same direction.



2

(L) (H) (G) (D)

6mm S1*1
3mm S2*1
M8*25 S4*1
M5*16 S5*2

S4
① ② ③
⚠ Tighten these 4 screws
Step3 S5*2
Step2 S5*2
Step1
⚠ Pay attention to the uniform height
Front

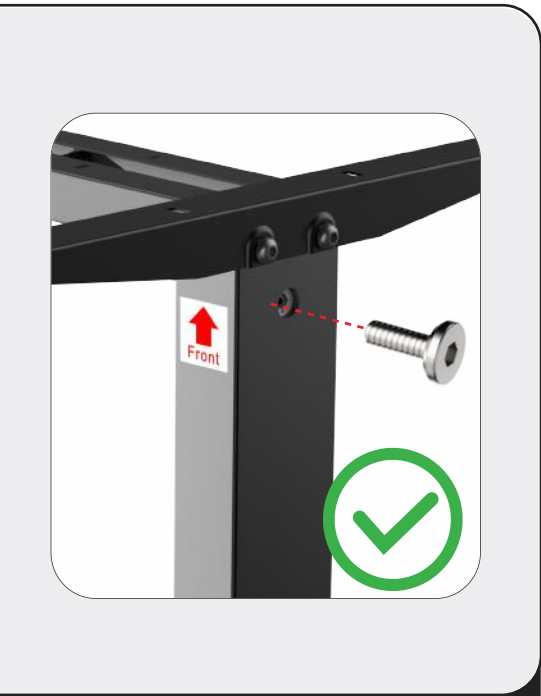
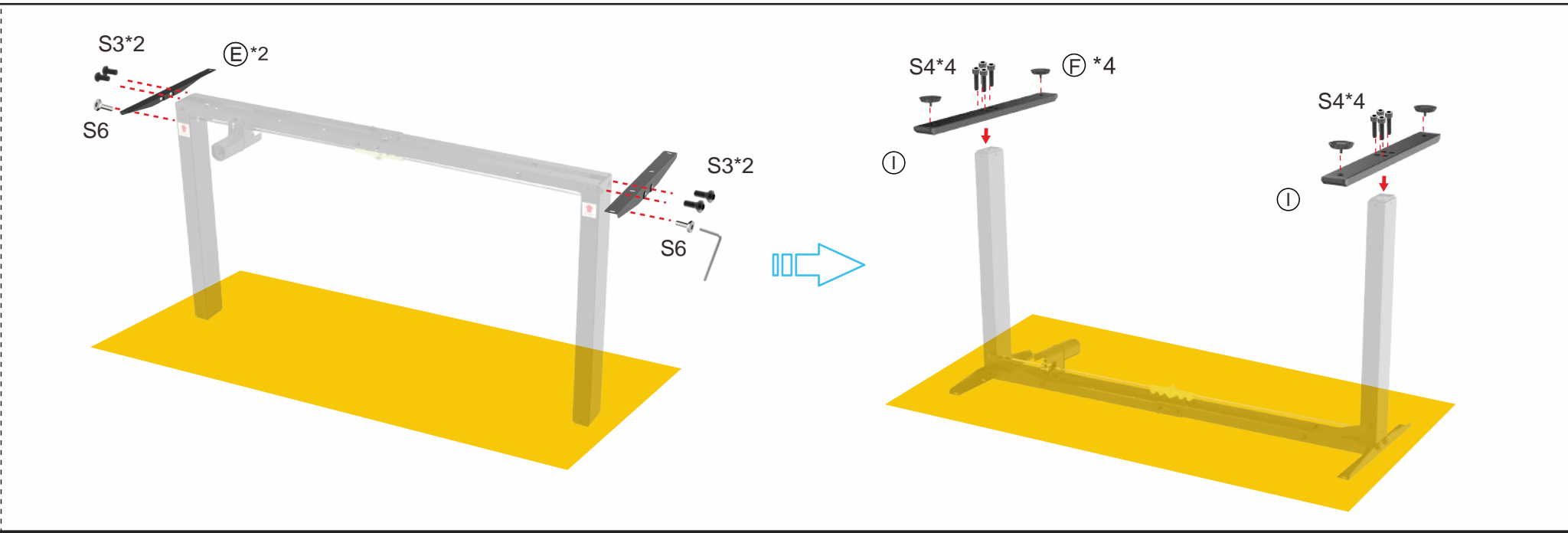


3

① *2 ② *2 ③ *4 ④ *8

6mm S1*1 3mm S2*1 M8*20 S3*4 M8*25 S4*8

M4*12 S6*2

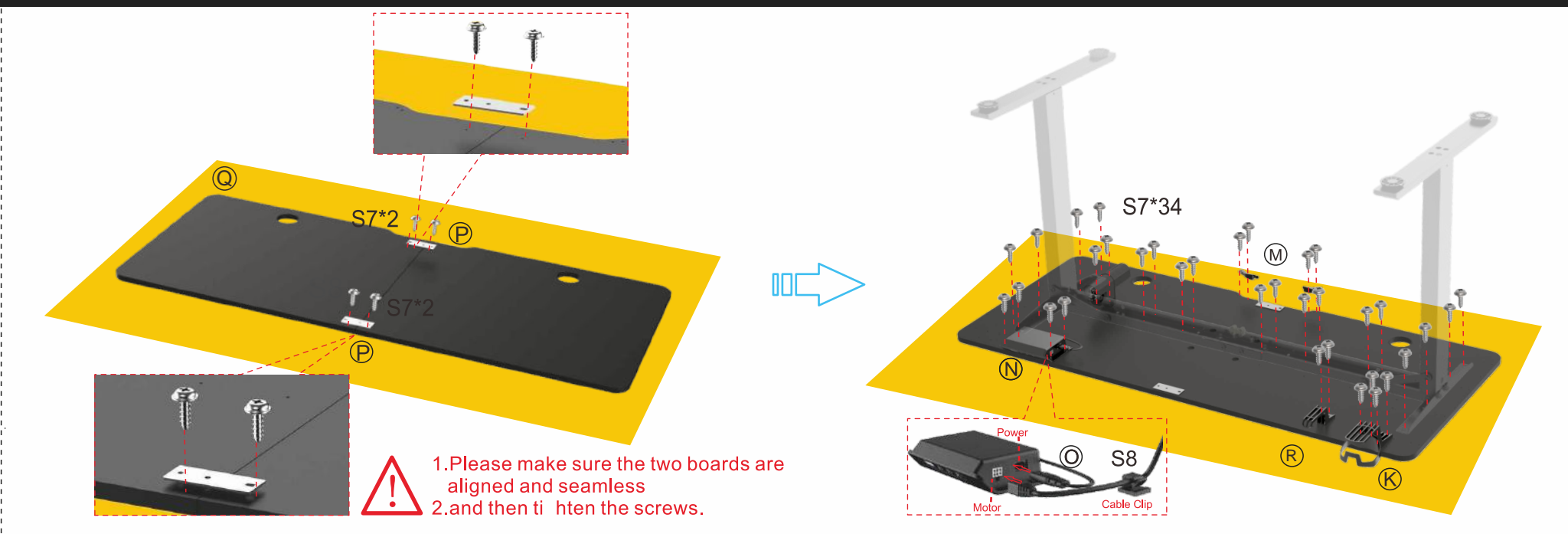


4

① *2 ② *2 ③ ④ ⑤ ⑥ ⑦ ⑧

Q P M N K R O

6mm S1*1 M4*14 S7*38 S8*3 S9*2



5

S9 S9

