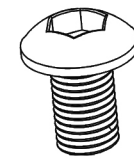
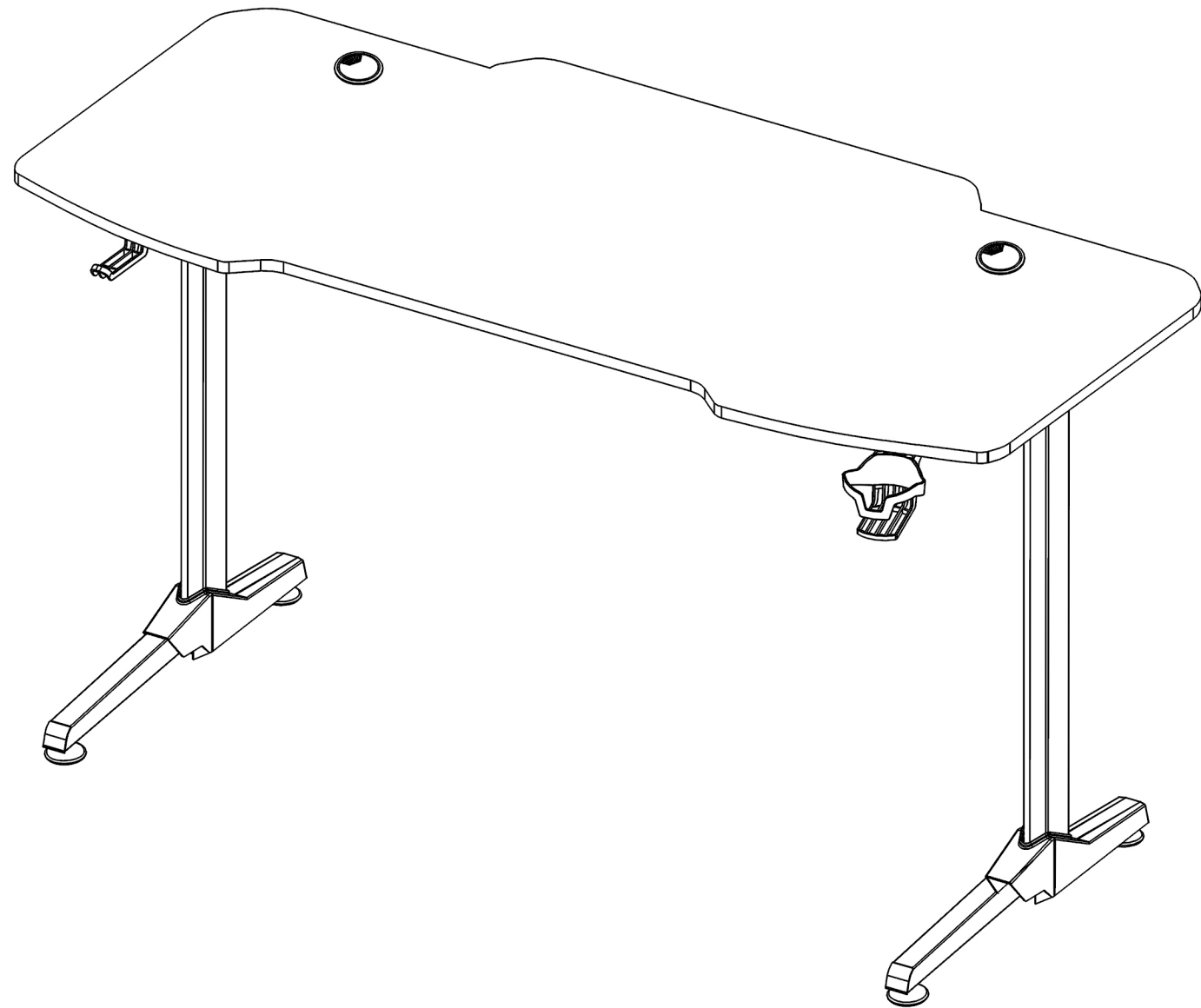


GAMING DESK

Assembly instruction



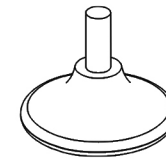
S1 x16



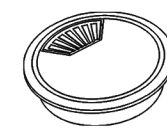
S2 x2



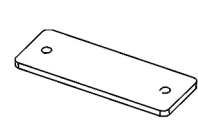
S3 x36



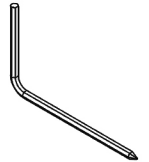
S4 x4



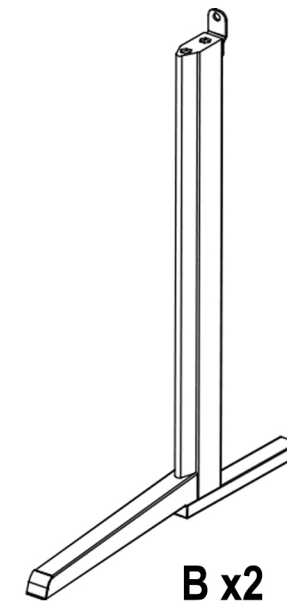
S5 x2



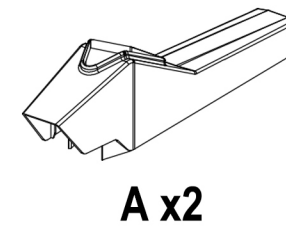
S6 x1



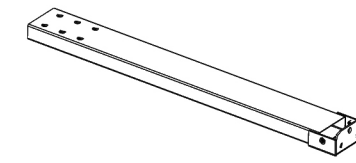
S7 x1



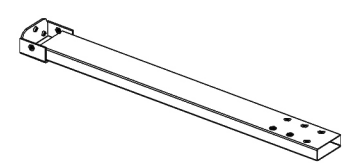
B x2



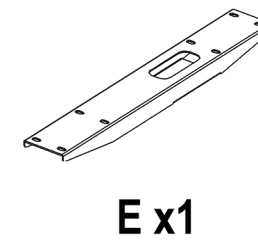
A x2



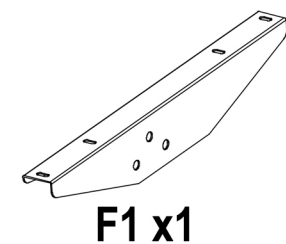
C x1



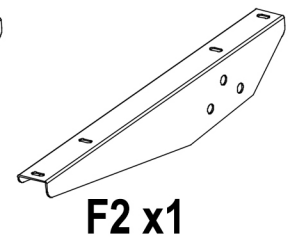
D x1



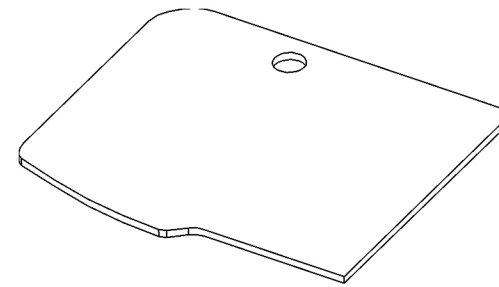
E x1



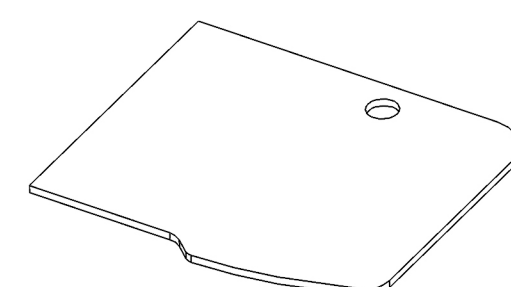
F1 x1



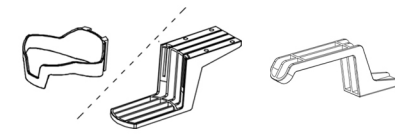
F2 x1



G x1



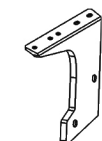
H x1



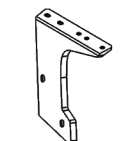
J x1



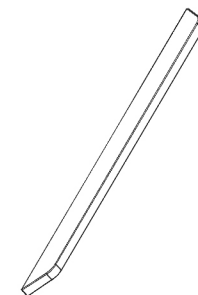
K x1



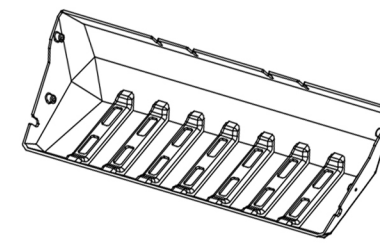
L1 x1



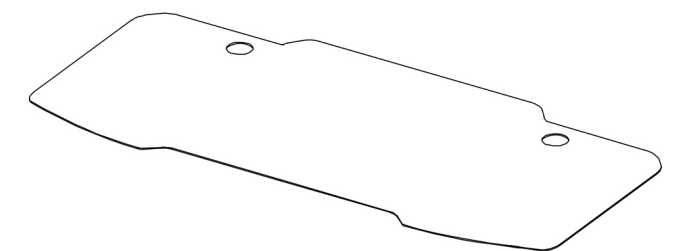
L2 x1



I x1

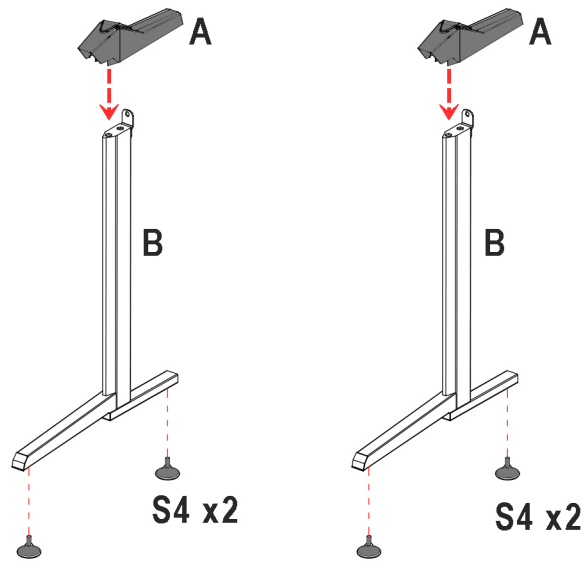


M x1

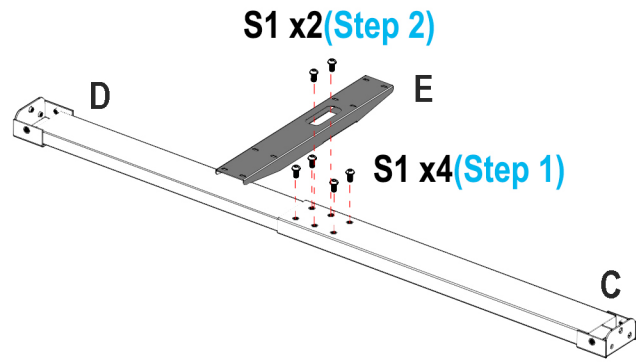


N x1

1

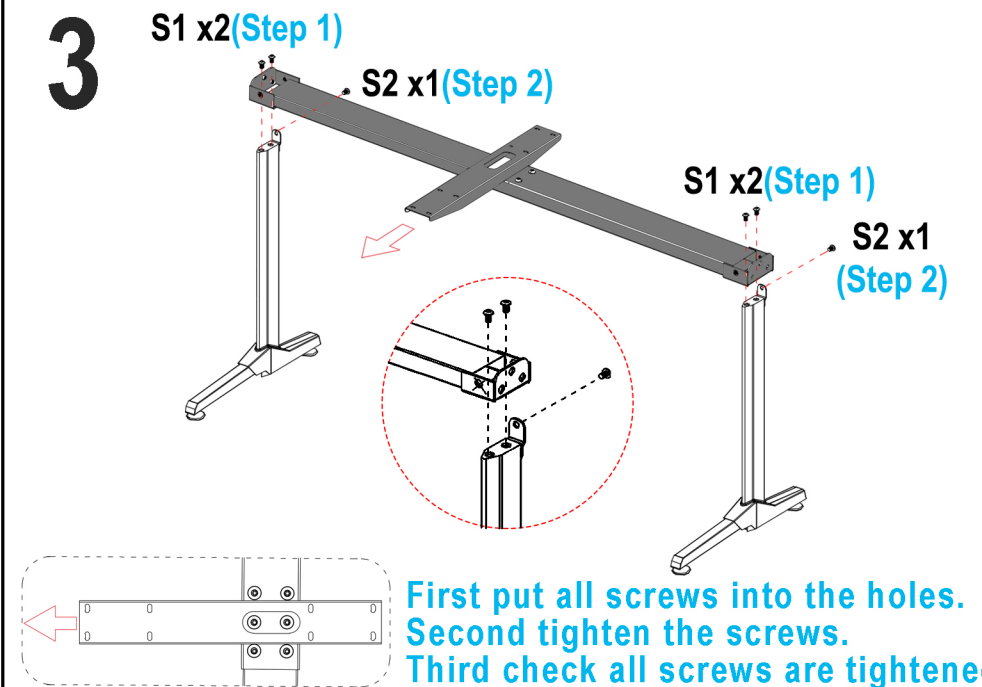


2



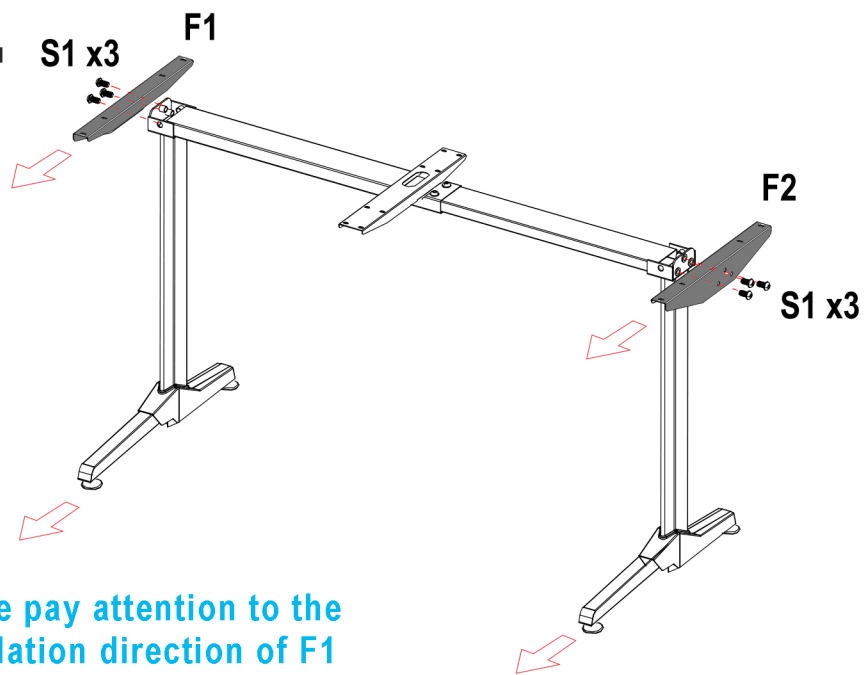
 Please make sure E part is perpendicular to C-D part.

3



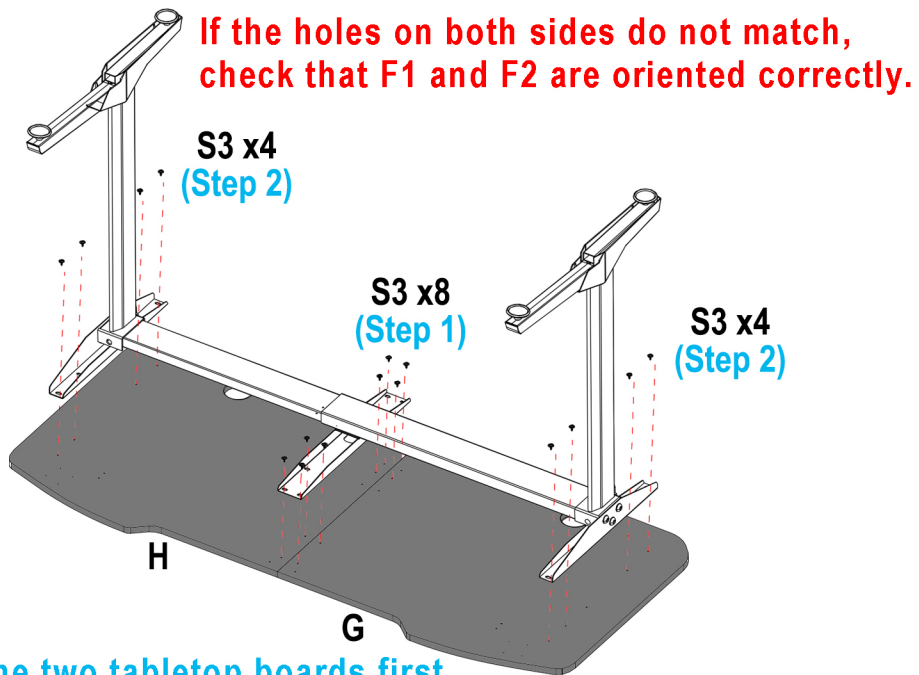
First put all screws into the holes. Second tighten the screws. Third check all screws are tightened.

4



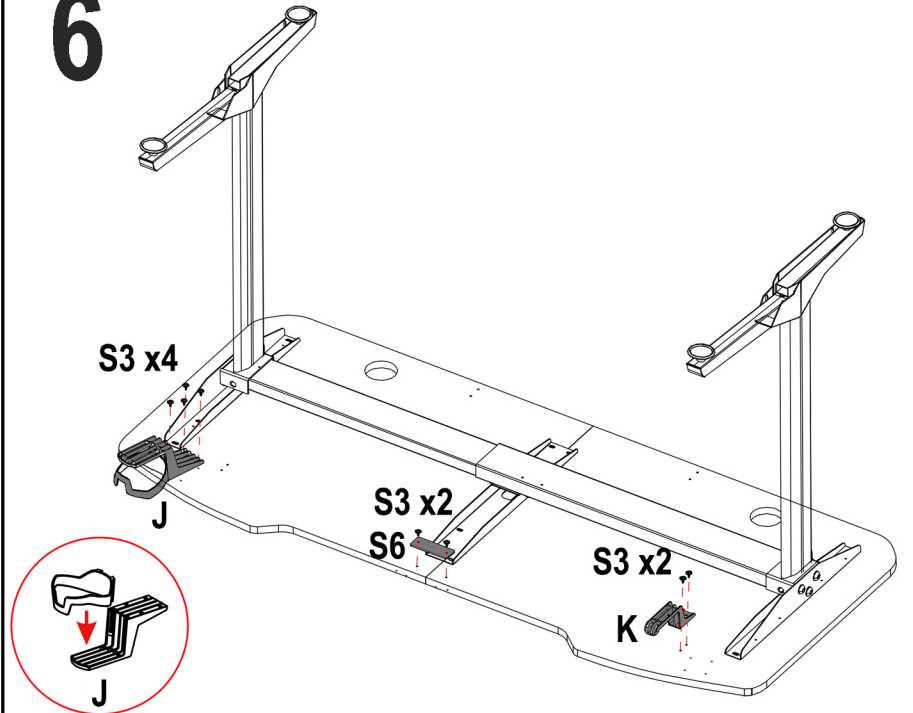
Please pay attention to the installation direction of F1 and F2 parts.

5

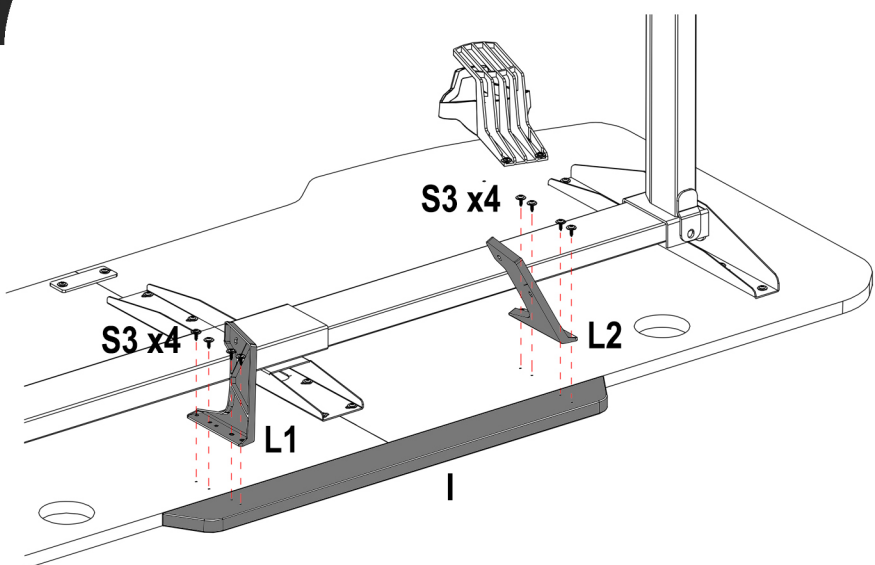


Align the two tabletop boards first. Match the screw holes on the shelf with tabletop.

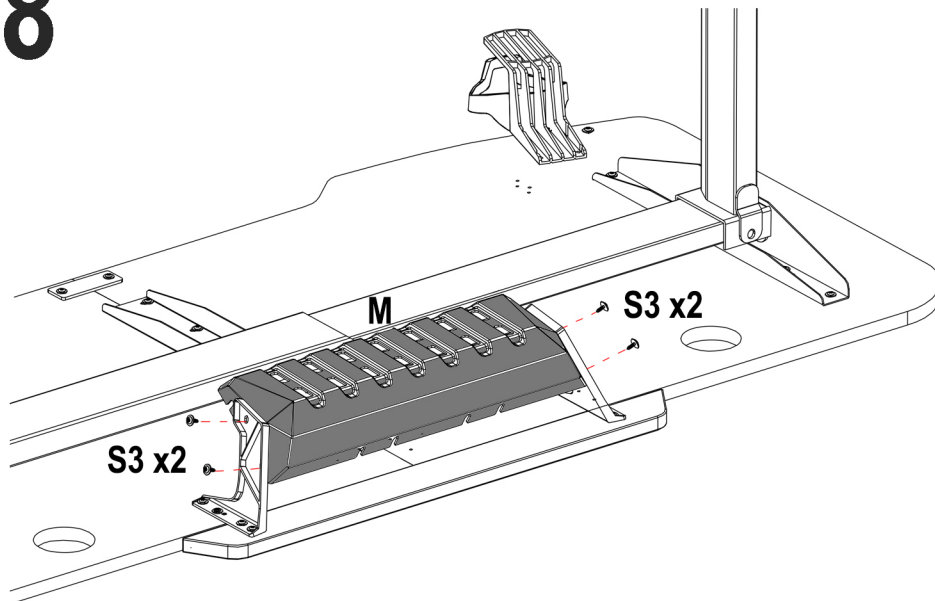
6



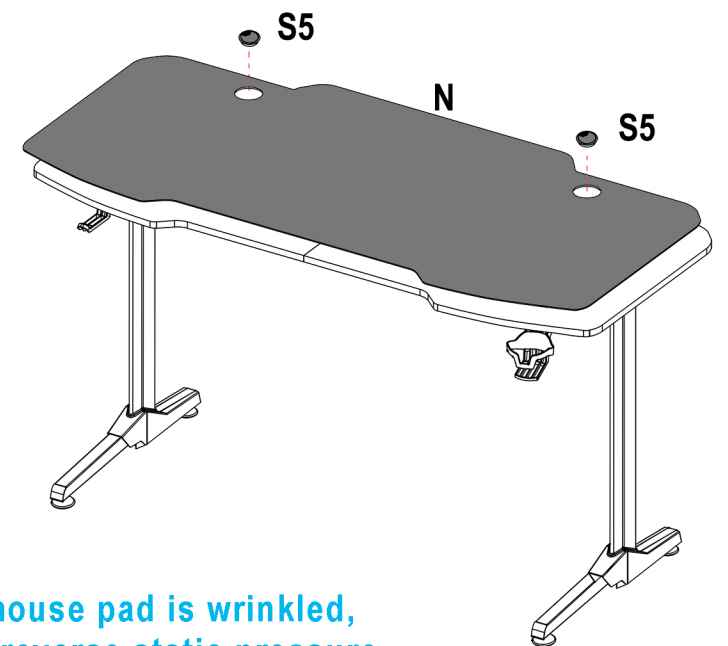
7



8



9



If the mouse pad is wrinkled, please reverse static pressure.