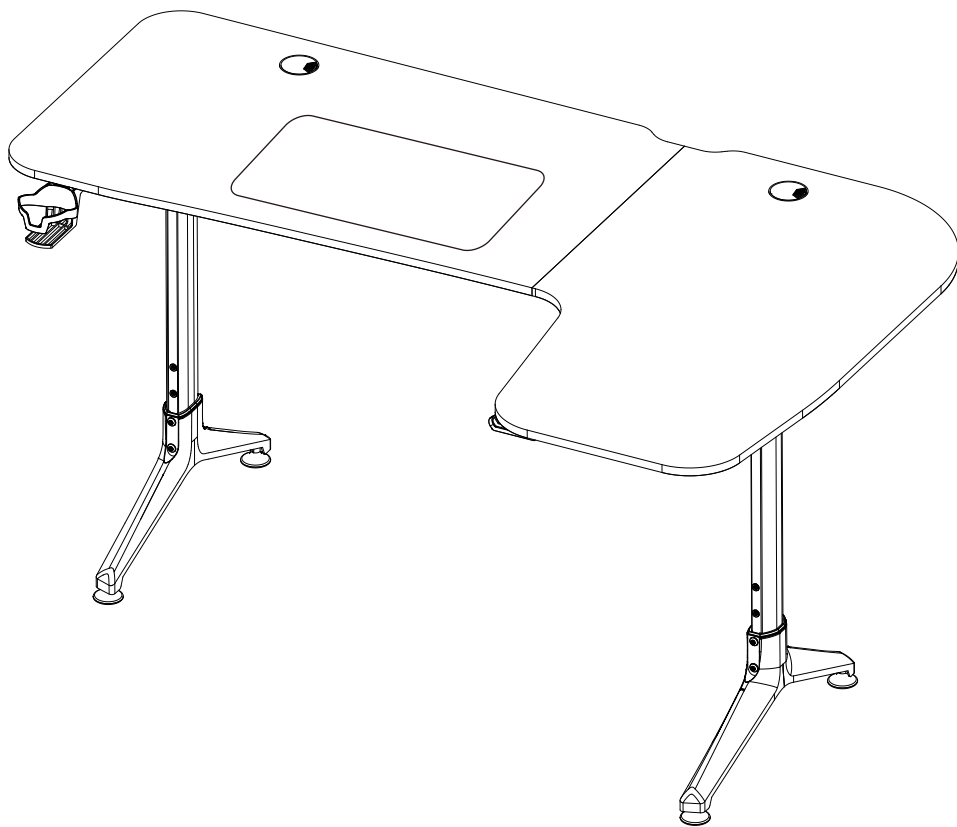


GAMING DESK

Assembly Instruction



S1*17



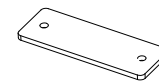
S2*4



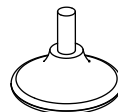
S3*10



S4*32



S5*2



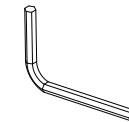
S6*4



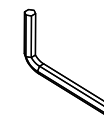
S7*4



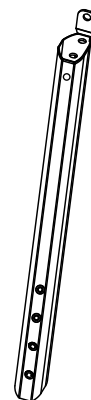
S8*2



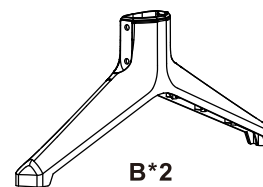
S9*1



S10*1



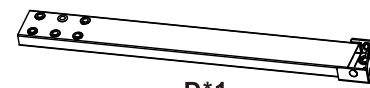
A*2



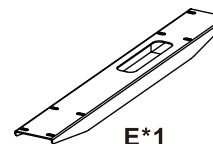
B*2



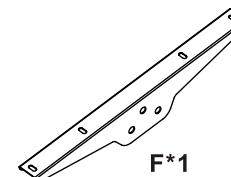
C*1



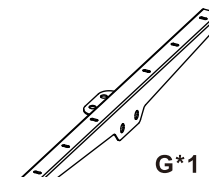
D*1



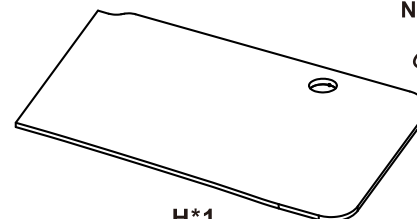
E*1



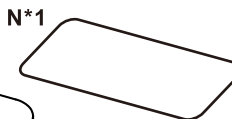
F*1



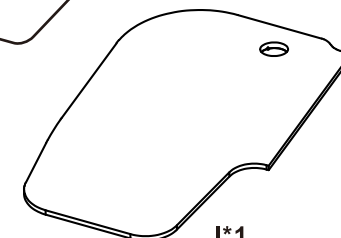
G*1



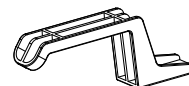
H*1



N*1



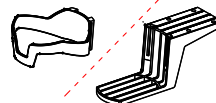
I*1



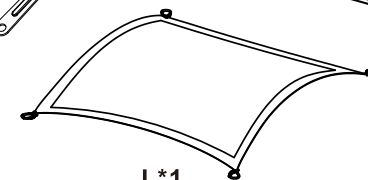
J*1



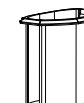
W*2



K*1

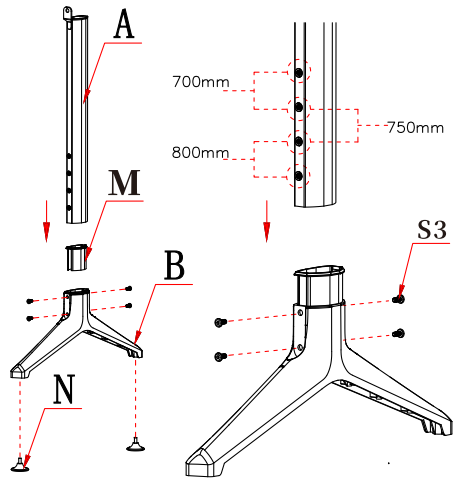


L*1

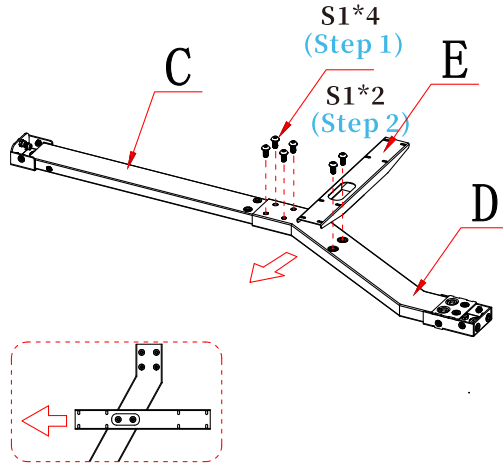


M*2

1

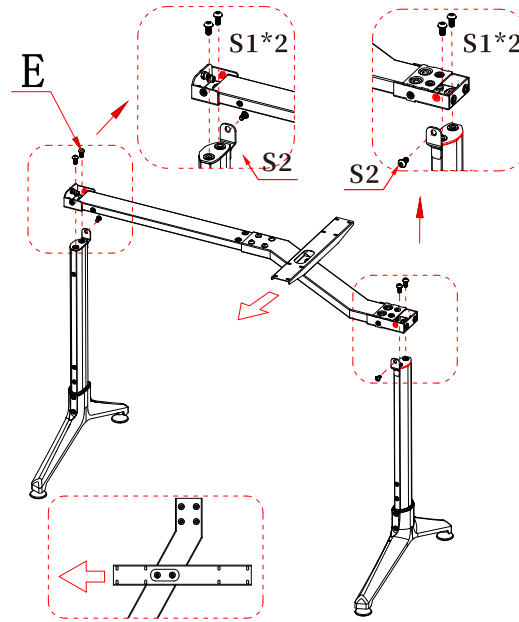


2

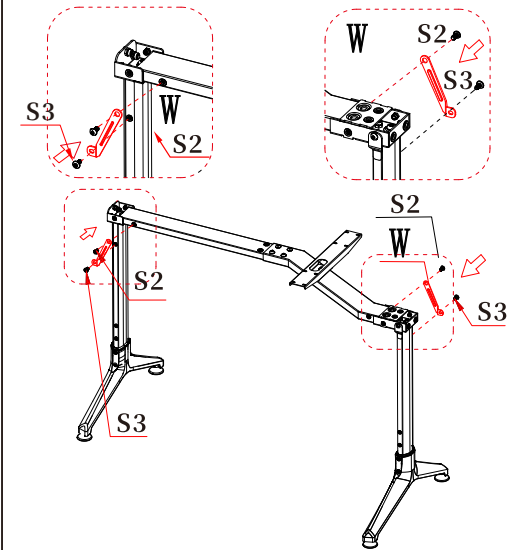


⚠ please make sure E part is perpendicular to C part.

3

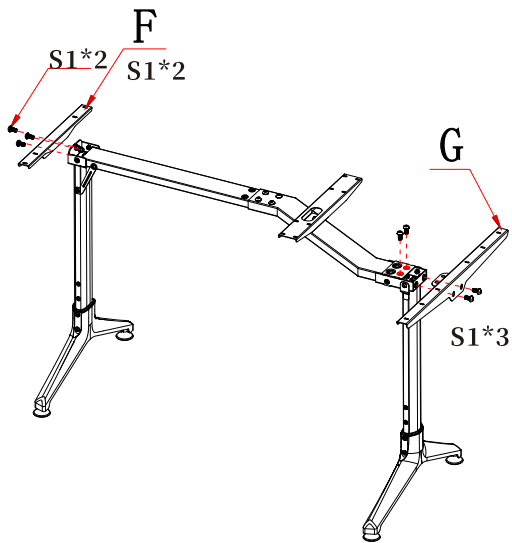


4

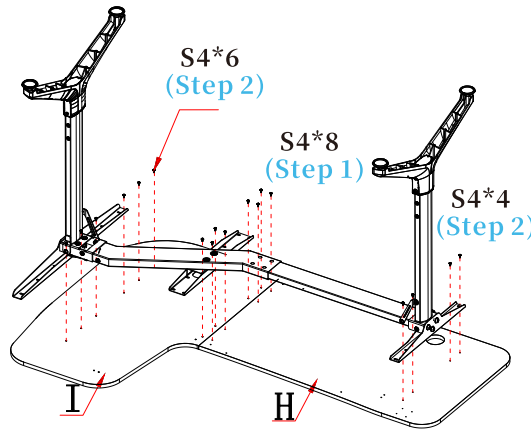


First put all screws into the holes.
Second tighten the screws.
Third check all screws are tightened.

5

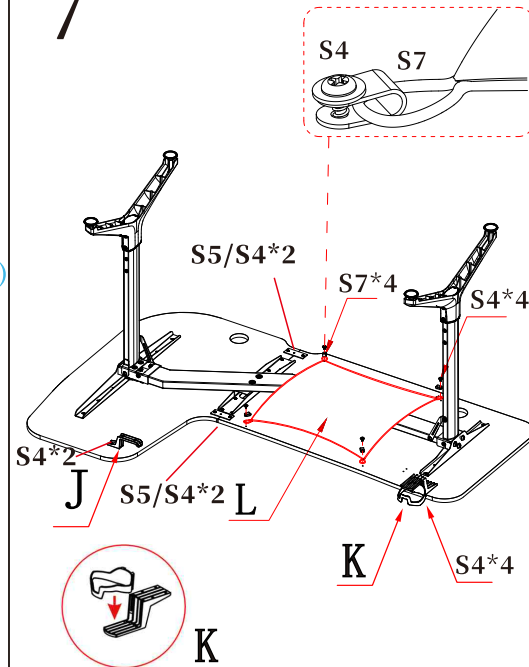


6



Align the two desktop boards first.
Match the screw holes on the shelf with tabletop.

7



8

