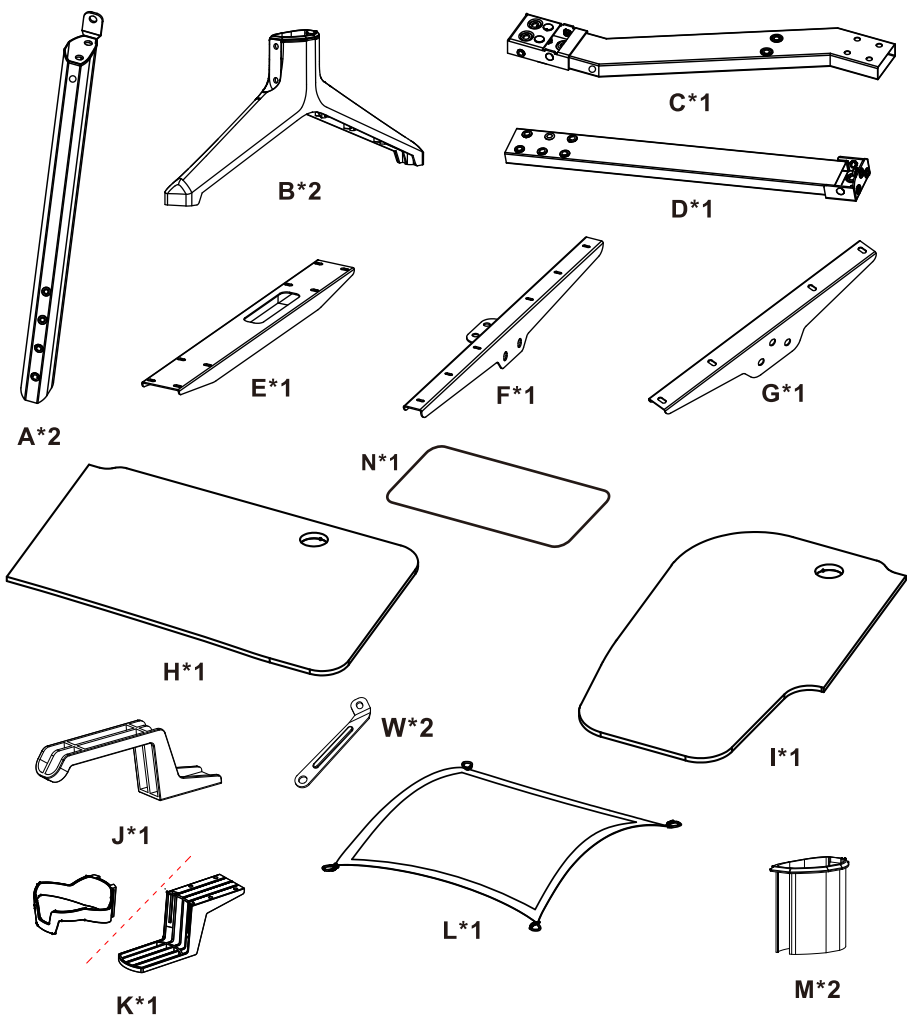
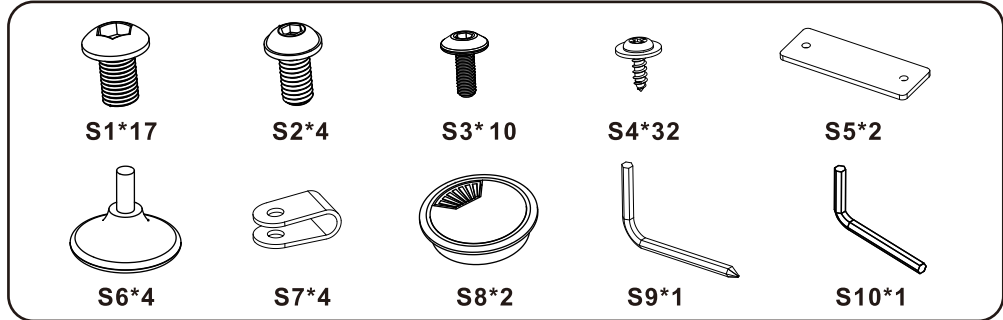
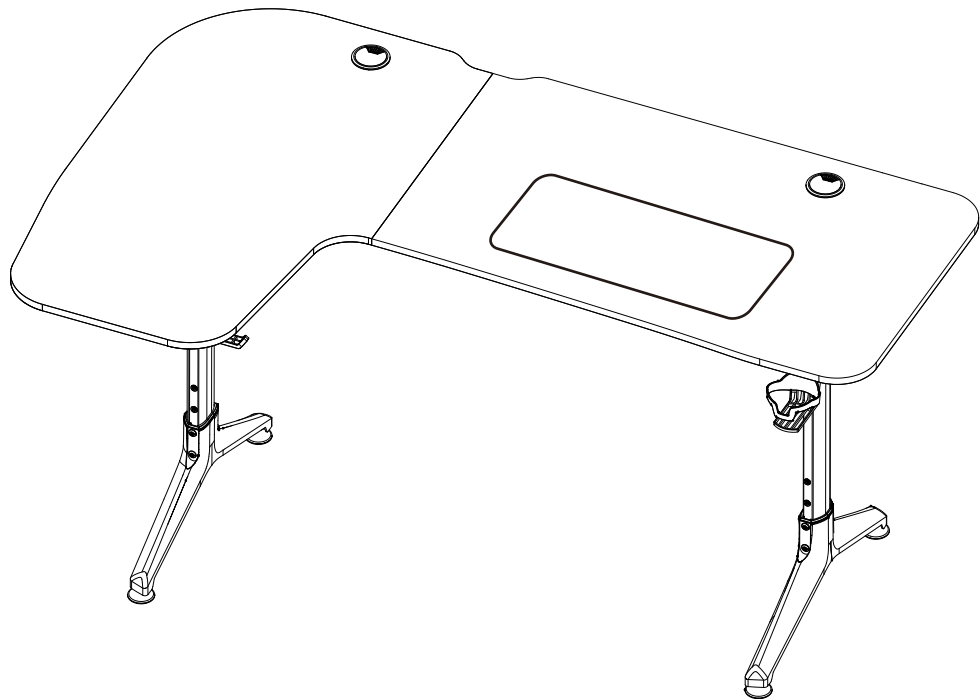
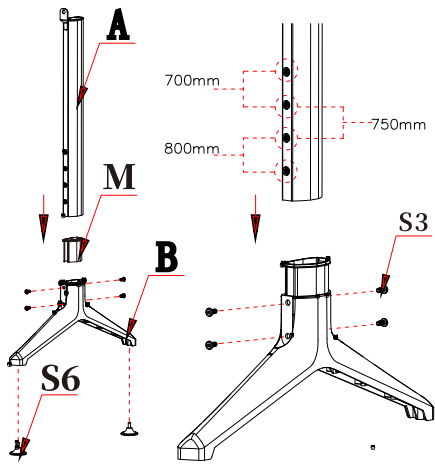


# GAMING DESK

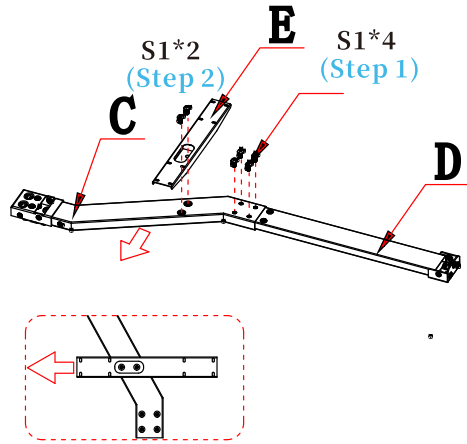
## Assembly Instruction



1

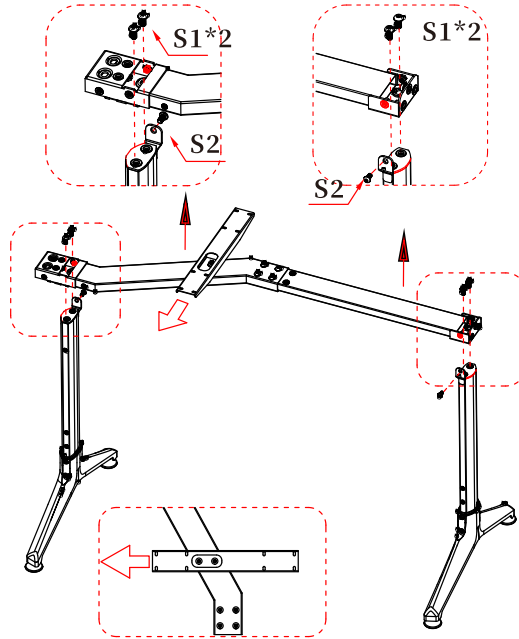


2

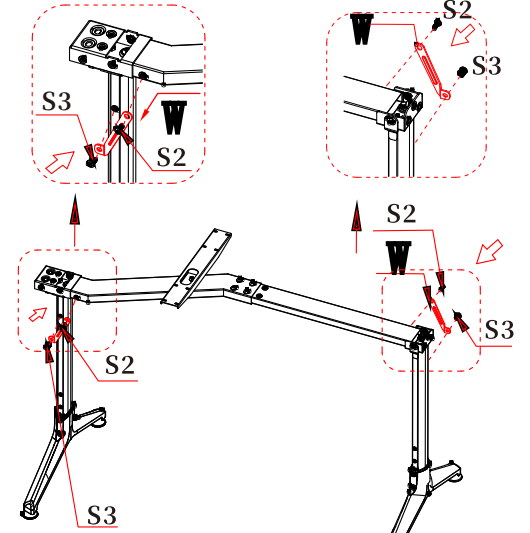


⚠ please make sure E part is perpendicular to D part.

3

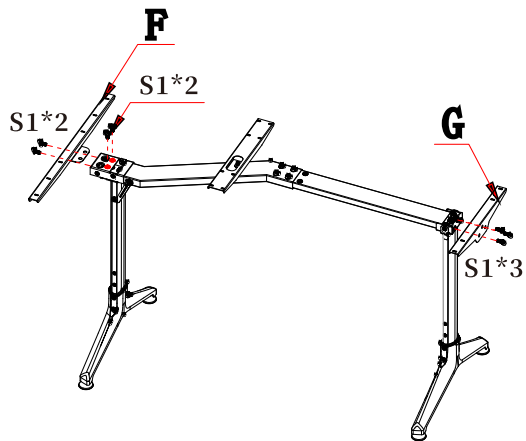


4

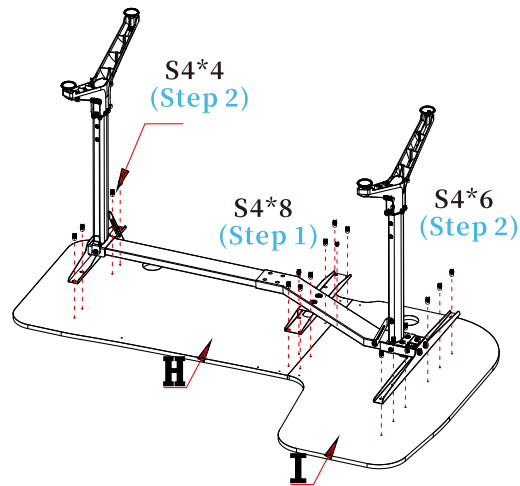


First put all screws into the holes.  
Second tighten the screws.  
Third check all screws are tightened.

5

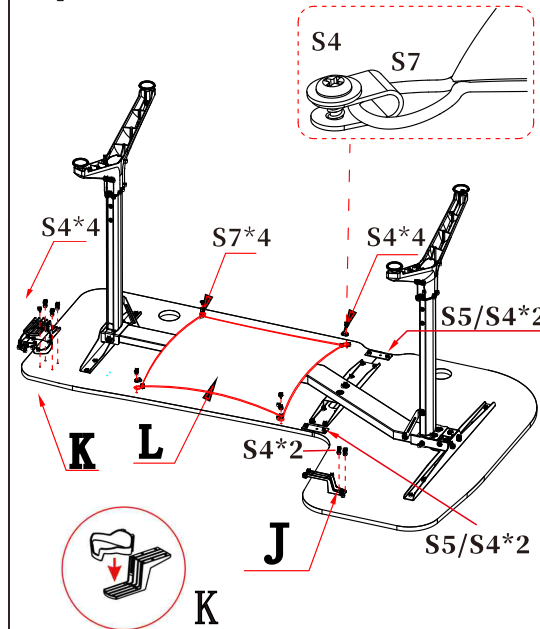


6



Align the two desktop boards first.  
Match the screw holes on the shelf with tabletop.

7



8

