

P ▲ R ▲ D O X™



## Event-Driven Indoor Security IP Camera/Detector with HD Audio

### Installation Manual

**\*\*Compatible with Insite GOLD and SWAN Server\*\***



## Introduction

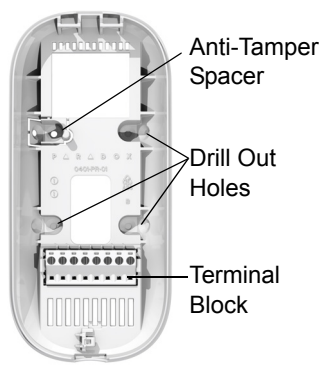
The HD78/F Event-Driven Indoor Security IP Camera combined with its Security Detector provide a video/audio solution for Paradox security systems. It provides day/night vision at 720P and Hi-Fi audio recording, with 30 minutes of internal event recording capacity. The HDB7 wall bracket is an optional accessory.

## Installing the HD78

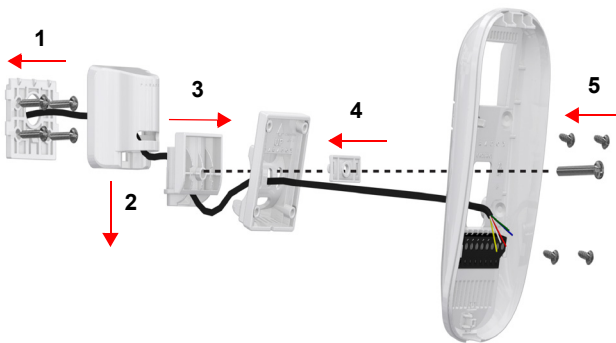
Unlock and remove cover



Mount back on wall or bracket



## HDB7 Wall Bracket Installation



## Power Requirements

It is recommended to use the PS25 power supply module that is capable of powering a maximum of 5 x HD78's.

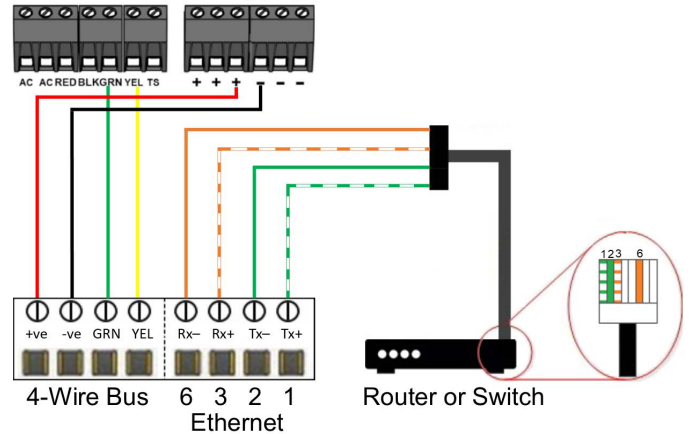
## HD78F Ethernet Wiring

Connect the HD78 camera with a CAT5e or better cable using pairs 2 & 3 (pins 1,2,3,6). The maximum cable length is 50 meters.

## HD78F Bus Wiring

Connect the PIR with a 4-core 14/0.20 cable or better.

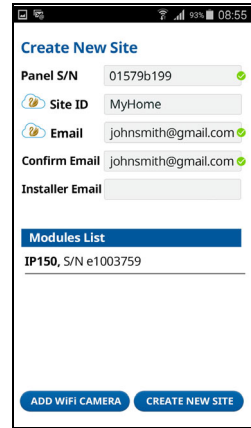
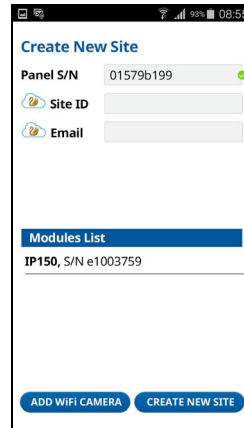
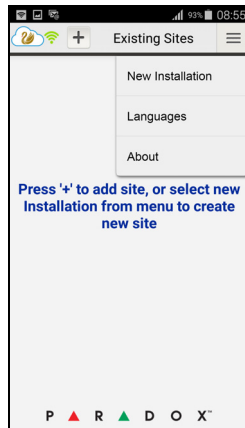
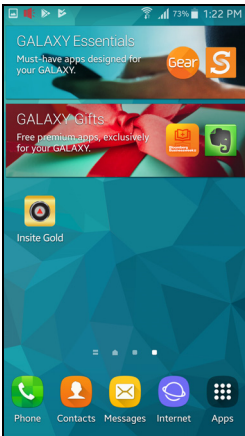
## PS25 Power Supply



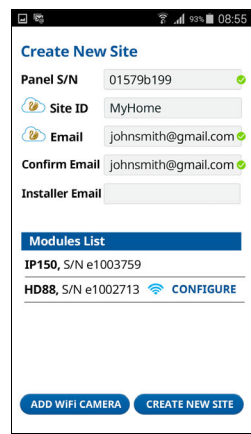
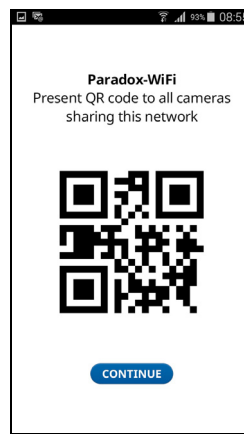
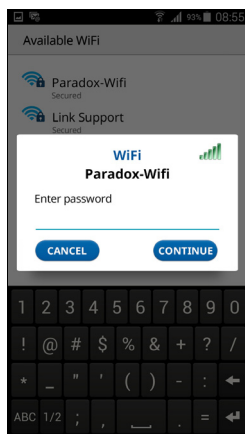
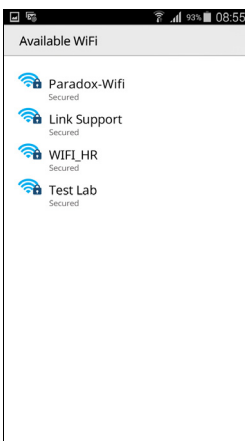
568A Ethernet Wiring			
Pair #	Colour	Pin #	Tx / Rx
1	Blue Stripe	5	
	Solid Blue	4	
2	Green Stripe	1	Tx +
	Solid Green	2	Tx -
3	Orange Stripe	3	Rx +
	Solid Orange	6	Rx -
4	Brown Stripe	7	
	Solid Brown	8	

# HD78F Camera Set Up and Configuration

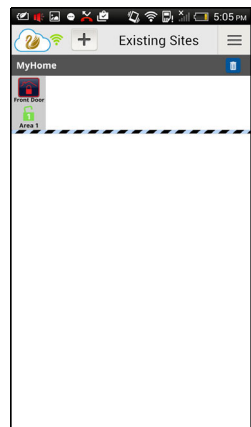
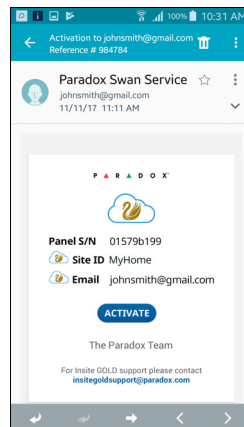
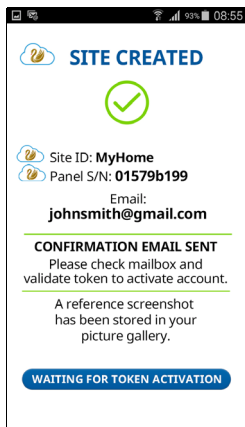
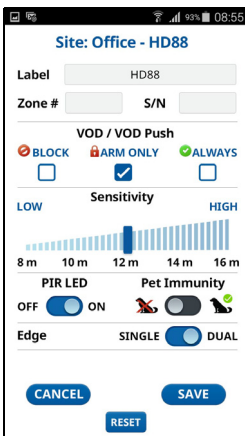
- 1 Launch the Insite Gold app
- 2 Select **New Installation** and then the **Create** button.
- 3 Type in the **Panel Serial Number, Site ID, Client's Email Address.**
- 4 To add a WiFi Camera, press **Add WiFi Camera**. If you are not configuring a **WiFi** Camera, skip to Step 10.



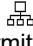
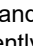
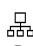
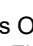
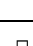
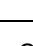
- 5 Select the WiFi network that the camera will be registered to.
- 6 Enter the **WiFi password** and press continue.
- 7 A QR code will be generated. Present the QR code to the camera lens. Unlock the tamper at the bottom of the HD78F.
- 8 The HD78F WiFi Camera will then be displayed in the modules list with a WiFi symbol next to it. Press **Configure** to modify settings.



- 9 Configure your settings and press **Save** when completed.
- 10 Press **Create New Site**. A Site Created message will appear. The system will send you an email.
- 11 Retrieve your email and click **Activate**. You will then be prompted to choose the type of activation for your subscription.
- 12 Your site will then be created and displayed in the app.






## Registration LED Status Indicators

LED Functionality	Network Status
LED  and LED  flash intermittently	HD78F is not connected to a local network
LED  is On and LED  is Flashing	HD78F is connected to a local network but failed to poll the SWAN Server
LED  is On and LED  is On	HD78F is connected to a local network and is successfully polling the SWAN Server

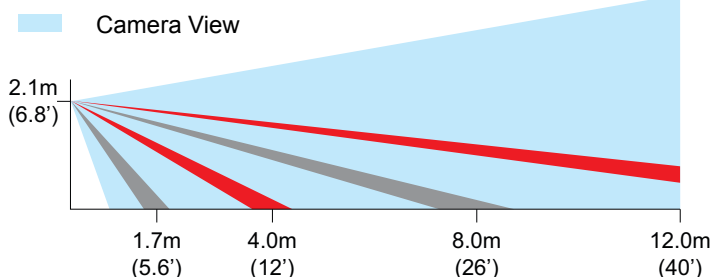
## LED Status Indicators

Other than PIR detection, LEDs are active when lock mechanism is open.

LED	LED Display	Functionality
TX	Flashing green: Data transmission Off: No data transmission	Digiplex/Spectra Data TX
RX	Flashing green: Data reception Off: No data reception	Digiplex/Spectra Data RX
	Flashing purple	Firmware upgrade in progress
	Blue on	VOD*
	Flashing blue	Power-up
	Flashing blue	Locate mode
	Flashing red	No connection to panel bus
	Flashing red	Bus low power
	Red on for 3 seconds	PIR detection
	Green on	Active Internet
	Green on	Active LAN 10/100Mb link

\*VOD On/Off LED is controlled by the Master **ONLY**, using the Insite GOLD application.

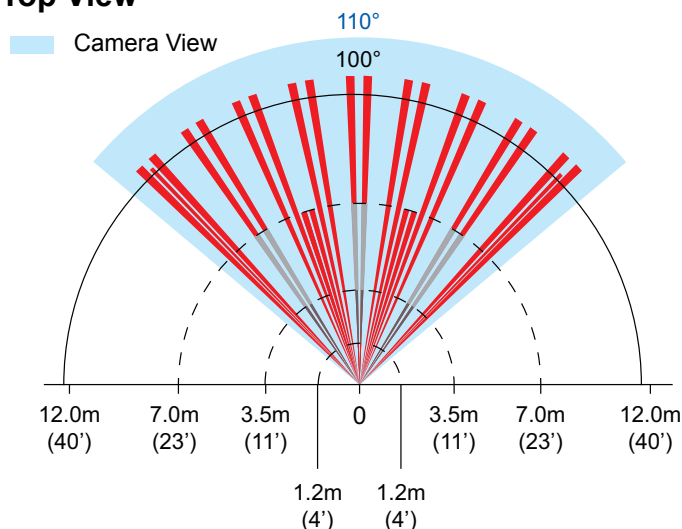
## Side View



## Technical Specifications

Image Resolution	1280 x 720
Image Sensor Type	1.4 megapixels, CMOS sensor, 7V/LUX.Sec
Streaming Video	720p H.264 10 FPS
HD Audio	16 bit, 24 KHz sampling rate, 32 Kb/s mono
Pre-event recording	3 seconds
Internal storage	30 minutes
Detection Speed	0.2 m/s to 2.5 m/s
Voltage Input	Nominal: 12VDC, range 9-16VDC
Current Consumption Max	350mA - IR illumination ON 250mA - IR illumination OFF
PIR Type	Quad PIR, auto pulse, dual edge, digital detector
Dimensions / Weight	H x W x D: 15 x 7.1 x 6cm / 163g
Operating Temperature	-20° C to +40° C
Internet Bandwidth	Minimum 1Mb/s UPLOAD recommended
Installation Height	2.1m - 2.7m
Installation Options	Wall or corner mount, HDB7 wall bracket optional
Compatibility	EVOHD, EVO192, SP5500, SP6000 and SP7000

## Top View



## Warranty

For complete warranty information on this product, please refer to the Limited Warranty Statement is found on the website: [www.paradox.com/terms](http://www.paradox.com/terms) or contact your local distributor. Specifications may change without prior notice.

## Patents

US, Canadian and international patents may apply. Paradox is a trademark or registered trademark of Paradox Security Systems (Bahamas) Ltd.