

# 3570 Series Electric Mortice Lock



Designed and manufactured in Australia, the 3570 series electric mortice is a high performance lock of superior quality. It is constructed from high grade zinc alloy, with a stainless steel latch bolt and face plate and is suited for all commercial applications.

The lock can be operated by push buttons, intercom systems and key switches; or integrated with electronic access control systems for use with higher security devices such as keypads or card readers.

## Standards and Compliance

**S3**

(Security) Australian Lock Standard (AS4145.2.1993) (when used with equivalent security level keying system)

**D3**

(Durability) Australian Lock Standard (AS4145.2.1993)



Successfully fire rated up to 4hrs on fire door assemblies in accordance with AS1905.1. 2005 (Part 1: Fire resistant door sets)



C-Tick Certified

## Product Details

<b>Voltage</b>	12Vdc - 24Vdc Operating Voltage
<b>Current</b>	500mA (max) 80mA holding @ 12Vdc 275mA (max) 50mA holding @ 24Vdc
<b>LED Current</b>	When LED's are fitted, add 15mA (max) to total current draw
<b>Monitoring</b>	Dual Key override Deadlatched Locked Door closed Request to exit Microswitches: 500mA (max) @ 30Vdc each circuit. Reedswitch: 100mA (max) @ 30Vdc
<b>Environment</b>	Operational temperature range -20c to +60c
<b>Case/Cover</b>	High purity Zinc alloy construction
<b>Backset</b>	660mm standard, 89 & 127 mm available
<b>Latch Bolts</b>	Reversible with Stainless Steel construction
<b>Door Clearance</b>	3 - 6.5 mm
<b>Door Thickness</b>	Standard applications 32 to 50mm
<b>Cylinder</b>	Standard Lockwood oval shaped cylinders
<b>Cabling</b>	1.6 metre length of cable with 12 pin socket supplied with each lock. Recommended cable: 18AWG (0.82mm <sup>2</sup> ) cable runs up to 30m
<b>Furniture</b>	Compatible with Lockwood series door furniture
<b>Standard Finishes</b>	Satin Chrome(SC) standard. Bright Chrome (CP) and Polished Brass(PB) finishes available

# 3570 Series Electric Mortise Lock

## Key Features

Designed with flexibility in mind, the one lock can cover all functions and is easily configured on site for the required application.

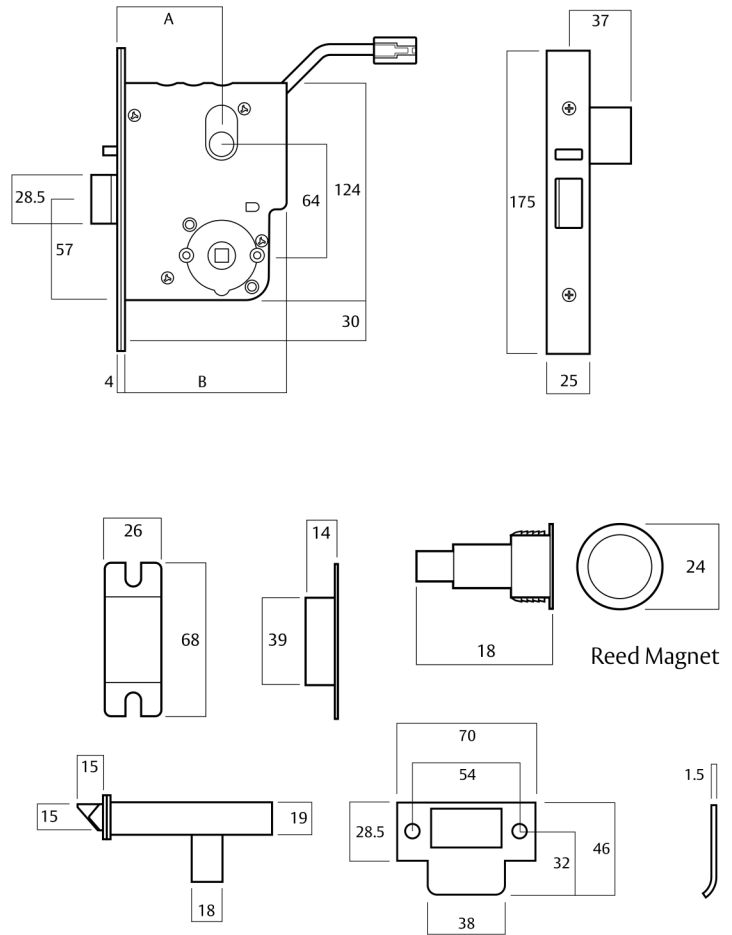
Available in non monitored and monitored versions.

### Monitoring Features:

- Dead latched and Locked
- Door position/Reed switch
- Dual key override monitoring
- Request to exit/REX
- LED indication

### Field Changeable Settings:

- Fail safe/fail secure configuration.
- Multi-voltage - will work on 12-24 Vdc systems.
- Handing - left hand and right hand doors
- Selection of free lever or locked lever on both sides of the door
- Key override monitoring either side of the door
- Monitoring contacts – normally closed, normally open (for key override and request to exit only)



## 3570 Series Electric Mortise Lock

Dimension	Backset		
A	60	89	127
B	100	129	167

## Specification Statement

The lock should be capable of operation on voltages between 12 – 24Vdc and have a current consumption not more than 80mA (holding) @12Vdc and 50mA (holding) @24Vdc. Monitored locks must be capable of monitoring the following functions: Key override, door position / reed switch, selectable hub / Request to exit, & locking bar status. All monitoring outputs must have the ability to be wired independently. All settings – including: fail safe / fail secure, handing, hub selection must be field configurable.

# 3570 Series Electric Mortice Lock

## Ordering Procedure

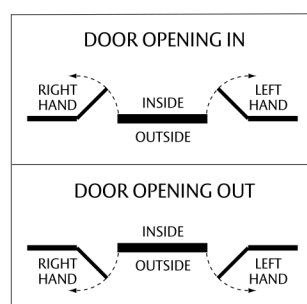
Sample part number 3572ELAM2RSC is made up of several sections. Choose your product by selecting an option from each section.

Backset	Fixing	Lock Functions	Electric Lock	Safety Function	Sub Function	Handing	Finish	
3	5	72	EL	A	M2	R	SC	
Backset	Lock Function		Safety Function		Handing		Finish	
60 mm	3	Primary Lock	70	Fail Safe (Power to lock)	A	Right Handed	R	
89 mm	4	Vestibule Lock	72	Fail Secure (Power to unlock)	E	Left Handed	L	
127 mm	5	Combination Lock	74					
Fixing	Electric Lock							
Standard	5	Electric Lock	EL	Safety Function		Finish		
				Non-monitored Lock (0 Cylinders)	N0	Satin Chrome		SC
				Non-monitored Lock (1 Cylinders)	N1	Chrome Plate		CP
				Non-monitored Lock (1 Cylinder)	N1	Polished Brass		PB
				Non-monitored Lock (2 Cylinders)	N2			
				Fully monitored Lock including KOM (0 Cylinders)	M0			
				Fully monitored Lock including KOM (1 Cylinder)	M1			
				Fully monitored Lock including KOM (2 Cylinders)	M2			

## Ordering Notes

- 3570 primary locks can be set to achieve all lock functions post purchase, and should be the preferred option when ordering.
- Customised locks are available upon request and incur an additional surcharge and 10 day lead time.
- See over page for primary lock part numbers.

## Handing Chart



<b>Backset</b>	Nominate backset as required, e.g. 60mm	<b>3</b>
<b>Fixing</b>	Select the desired fixing method, e.g. Standard Fixing 35	<b>35</b>
<b>Lock Function</b>	Select function, e.g. Vestibule Lock	<b>3572</b>
<b>Electrical Variant</b>	Indicate that this is an Electric Lock	<b>3582EL</b>
<b>Safety Function</b>	Select whether lock should be Fail Secure or Fail Safe, e.g. Fail Safe	<b>3572ELA</b>
<b>Monitoring and Key Override Options</b>	Select monitoring and cylinders to be supplied, e.g. Monitored Lock with two cylinders	<b>3572ELAM2</b>
<b>Handing</b>	Determine left or right handing, e.g. Right Handed	<b>3572ELAM2R</b>
<b>Finish</b>	Specify appropriate finish, e.g. Satin Chrome	<b>3572ELAM2RSC</b>

# 3570 Series Electric Mortice Lock

## Primary Electric Mortice Lock Ordering Procedure

Part Number	Cylinders	Product Description - Non-Monitored
3570ELN0SC	No Cylinder	Electric Mortice Lock 3570 Primary Lock 60 mm Backset Non Monitored
3570ELN1SC	1 Cylinder	Electric Mortice Lock 3570 Primary Lock 60 mm Backset Non Monitored
3570ELN2SC	2 Cylinders	Electric Mortice Lock 3570 Primary Lock 60 mm Backset Non Monitored
4570ELN0SC	No Cylinder	Electric Mortice Lock 4570 Primary Lock 89mm Backset Non Monitored
4570ELN1SC	1 Cylinder	Electric Mortice Lock 4570 Primary Lock 89 mm Backset Non Monitored
4570ELN2SC	2 Cylinders	Electric Mortice Lock 4570 Primary Lock 89 mm Backset Non Monitored
5570ELN0SC	No Cylinder	Electric Mortice Lock 5570 Primary Lock 127 mm Backset Non Monitored
5570ELN1SC	1 Cylinder	Electric Mortice Lock 5570 Primary Lock 127 mm Backset Non Monitored
5570ELN2SC	2 Cylinders	Electric Mortice Lock 5570 Primary Lock 127 mm Backset Non Monitored
Part Number	Cylinders	Product Description - Non-Monitored (hub, deadlatch, solenoid, door position, key override monitoring all as standard)
3570ELM0SC	No Cylinder	Electric Mortice Lock 3570 Primary Lock 60 mm Backset Monitored
3570ELM1SC	1 Cylinder	Electric Mortice Lock 3570 Primary Lock 60 mm Backset Monitored
3570ELM2SC	2 Cylinders	Electric Mortice Lock 3570 Primary Lock 60 mm Backset Monitored
4570ELM0SC	No Cylinder	Electric Mortice Lock 4570 Primary Lock 89 mm Backset Monitored
4570ELM1SC	1 Cylinder	Electric Mortice Lock 4570 Primary Lock 89 mm Backset Monitored
4570ELM2SC	2 Cylinders	Electric Mortice Lock 4570 Primary Lock 89 mm Backset Monitored
5570ELM0SC	No Cylinder	Electric Mortice Lock 5570 Primary Lock 127 mm Backset Monitored
5570ELM1SC	1 Cylinder	Electric Mortice Lock 5570 Primary Lock 127 mm Backset Monitored
5570ELM2SC	2 Cylinders	Electric Mortice Lock 5570 Primary Lock 127 mm Backset Monitored

## Ordering Notes

- Primary locks can be set post purchase to achieve all desired lock settings e.g. fail safe or fail secure, left hand or right hand, combination lock (locked both sides) or vestibule lock (locked outside and free lever inside)
- All locks are multi-voltage 12-24Vdc
- 3570 primary locks (std 60mm backset) with no cylinder are stocked items. All other items are made to order, 10 day lead time.

# 3570 Series Electric Mortice Lock

## Accessories - Rebate Kits

Part Numbers	"A"	Finish
3570-2905BC 3570-3905BC	32 46	Bright Chrome
3570-2905PB 3570-3905PB	32 46	Polished Brass
3570-2905SC 3570-3905SC	32 46	Satin Stainless Steel

## Accessories - Long Lipped Strikes

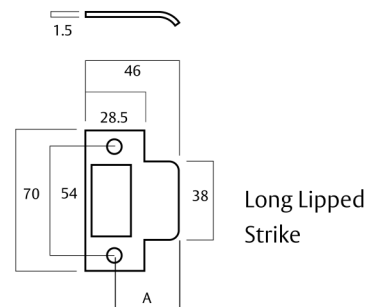
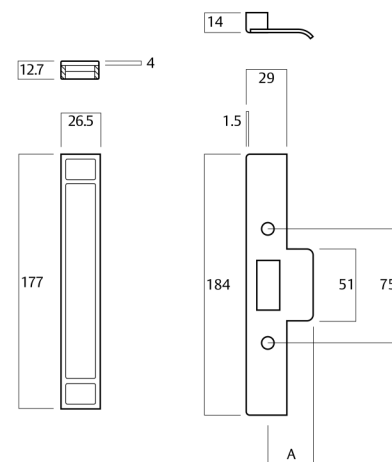
Part Numbers	"A"	Finish
3570-5353CP 3570-5653CP	43.5 47.5	Bright Chrome
3570-5353PB 3570-5653PB	43.5 47.5	Polished Brass
3570-5253SSS 3570-5453SSS	43.5 47.5	Satin Stainless Steel

## Accessories - Ordering Information

Part Numbers	Finish
SP572-3129	LED assembly to suit 3570/3580 (suits furniture for monitored locks)
SP3570-1055	LED assembly to suit 3570/3580 (suits furniture for monitored locks)
SP3570-5861	LED assembly to suit 3570/3580 (suits furniture for monitored locks)
LC8810	323mm Power Transfer Cable
LC8811	543mm Power Transfer Cable

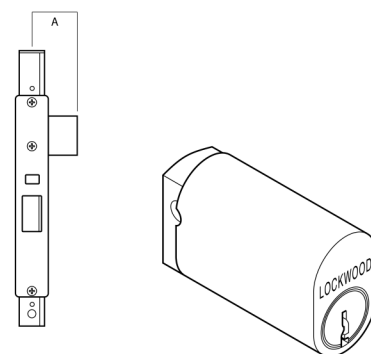
## Accessories - Long Lipped Strikes

"A" Cylinder Projection	Cylinder Length	Recommended Door Thickness
41	37	50 to 60
52	48	60 to 84
64	60	84 to 108
80	76	108 to 132
88	84	132 to 156



### Extended Cylinders

Extended cylinders should be considered when door thickness exceeds 50 mm or when the lock is mounted off centre in the door edge. A range of cylinders is available to suit various door thicknesses. Refer to ASSA ABLOY Australia Keying and Restricted Price List for further information.

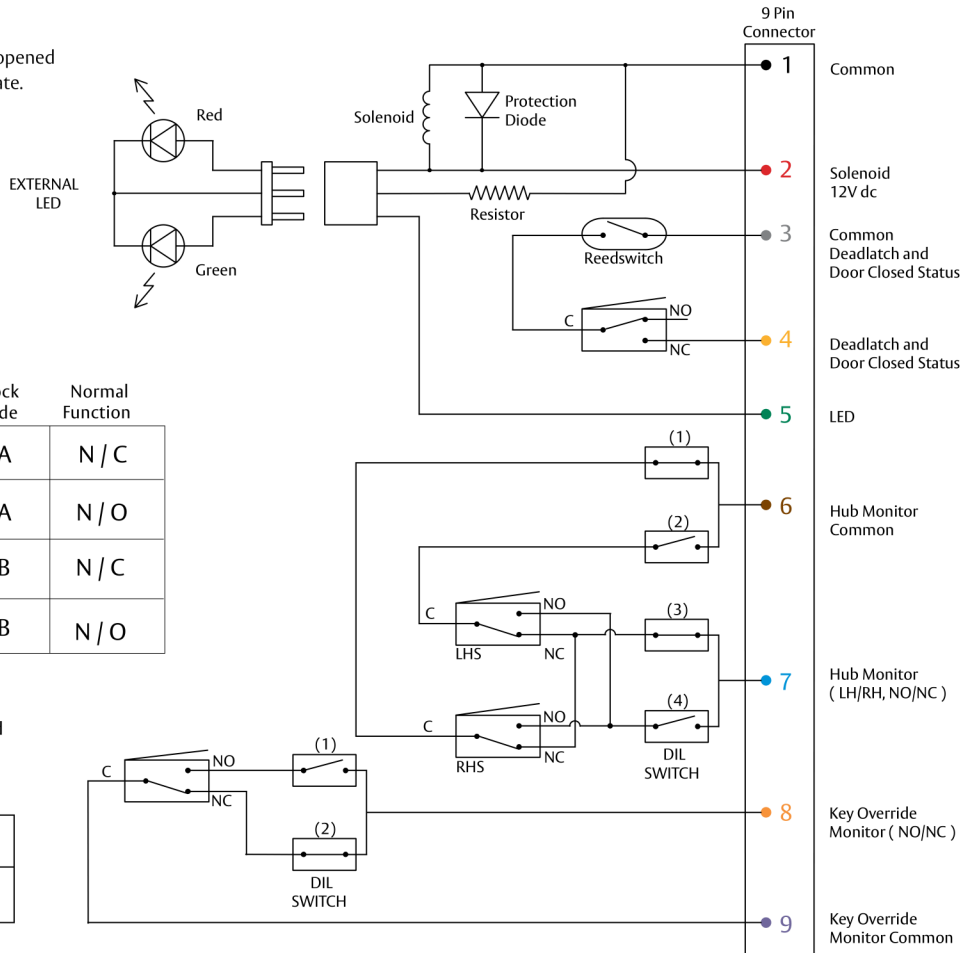


# 3570 Series Electric Mortice Lock

## Electrical Specifications

### Circuit Diagram

**Note:** Diagram depicts fail safe RH opened door, with handle and key in rest state.



### DIL Switch Settings

#### Hub Monitor

	Switch No.				Lock Side	Normal Function
	1	2	3	4		
ON	■	■	■	■	A	N / C
OFF	□	□	□	□		
ON	■	■	■	■	A	N / O
OFF	□	□	□	□		
ON	■	■	■	■	B	N / C
OFF	□	□	□	□		
ON	■	■	■	■	B	N / O
OFF	□	□	□	□		

#### Key Override Monitor Selection

Set the 2 WAY DIL SWITCH to desired setting, refer to table.

	Switch No.		Normal Function
	1	2	
ON	■	■	N / O
OFF	□	□	
ON	■	■	N / C
OFF	□	□	

## Solenoid Activation

### Operating Voltage:

12 - 24Vdc

### Operating Current:

500mA (max) 80mA holding @ 12Vdc

275mA (max) 50mA holding @ 24Vdc

For confirmation of the above mentioned operating current, please see installation manual

### LED Current

Where LEDs are fitted, add 20mA (max) to total operating current

### Monitoring Circuits

Microswitches: 500mA (max) @ 30Vdc each circuit

Reedswitch: 100mA (max) @ 30Vdc

### Colour

Colour	Function
Black	Solenoid (0Vdc)
Red	Solenoid Positive (12Vdc - 30Vdc)
Green	LED (12Vdc - 30Vdc)
Yellow	Door Closed Reedswitch (NC)
Pink	Door Closed Reedswitch (Common)
Light Blue	Deadlatched and Locked (NC)
Grey	Deadlatched and Locked (Common)
White	Deadlatched and Locked Centre Tap
Brown	Hub Monitor (NO or NC)
Blue	Hub Monitor (Common)
Orange	Key Override Monitor (NO or NC)
Violet	Key Override Monitor (Common)