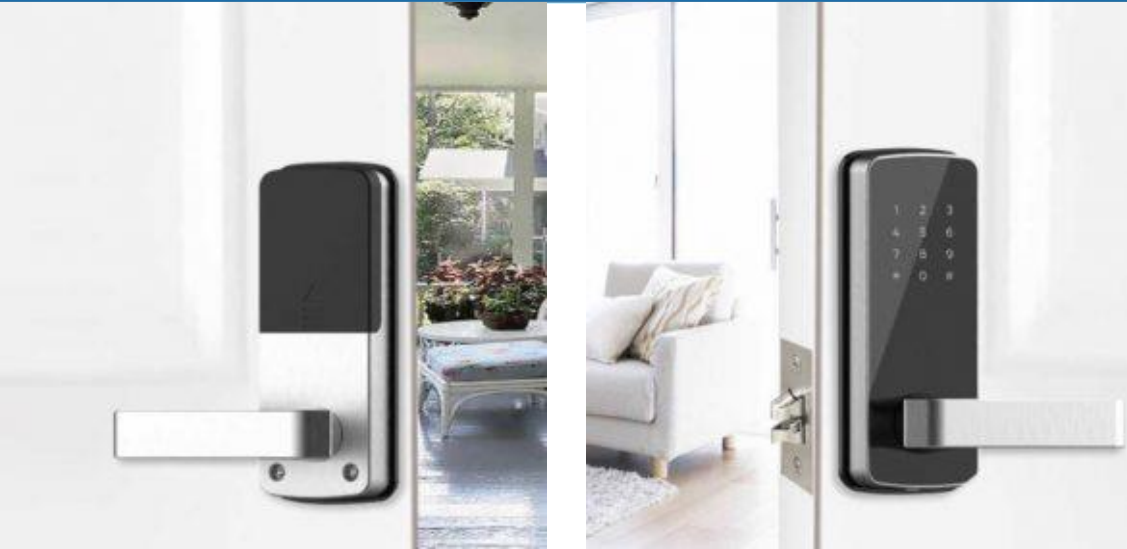


0409 487 288

graeme@mcgrathlocks.com.au



MLX1 Digital Lock



PO Box 173, WILSTON QLD 4051
ABN 84 617 577 876

www.mcgrathlocks.com.au

Description

This 4 in 1 digital door lock represents a stylish design easy entry option for your home. A sleek door lock with a Bluetooth App, pin code, RFID card and manual key to provide quick and convenient access.

Specifications

- Unlocking methods: Bluetooth, Pin Code, RFID card, Manual Key
- Material: Zinc alloy and Acrylic keypad
- Communication mode: Bluetooth 4.0ble
- Support system: Android 4.3 /IOS 7.0 above
- Unlock time: 1.5 sec
- Power supply: 4pcs 1.5V AA alkaline battery
- State current: $\leq 18\mu\text{A}$
- Working current: $\leq 200\text{mA}$
- Working Temperature: $0 \sim 80^{\circ}\text{C}$
- Working Humidity: $15\% \sim 95\%\text{RH}$
- Lowpower Alarm: When you open the lock with low battery (lower than 4.8V), the indicat light will be flashed for 8 times. That reminds you it's time to change the batteries. Still c: open the door 200 times
- Anti-break in and security function: Input wrong password 5 times, the keypad will be loc for 5 minutes



Reversible Handle Orientation, Finish within 1 minute!

Step 1

Diassemble the Allen screws on the handle with the Allen Key.

Step 2

Take the handles down.

Step 3

Change the handle direction as you want.

Step 4

Re-assemble the allen screws.





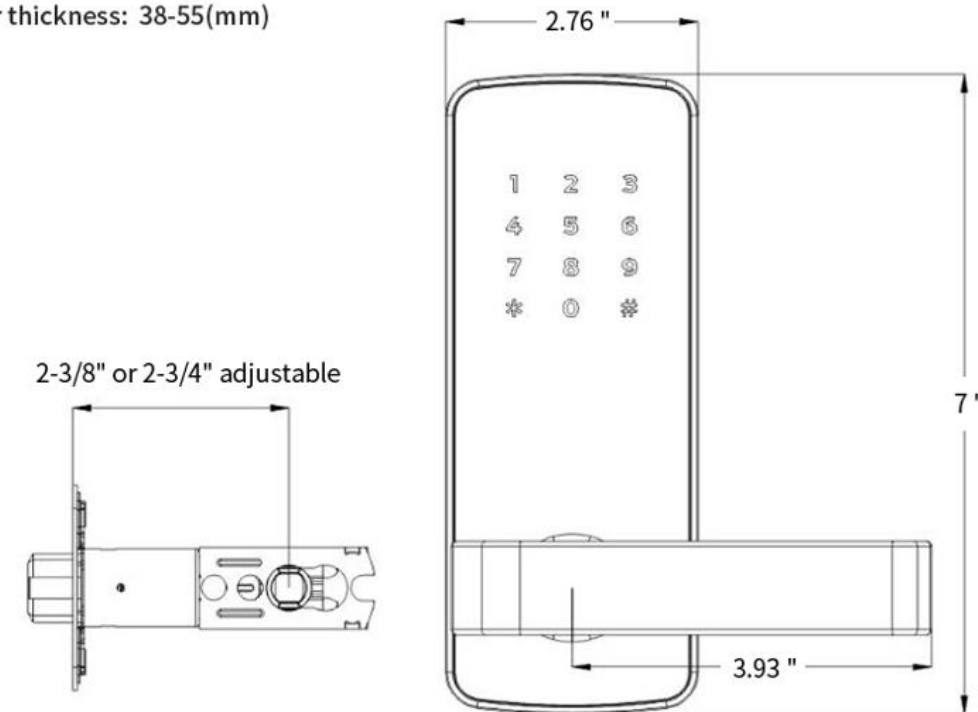
DIMENSION:

Diameter of plate: 2.76"(70mm)*7"(177.5mm)

Latches with backset of 2 3/8"(60mm) or 2 3/4"(70mm) adjustable

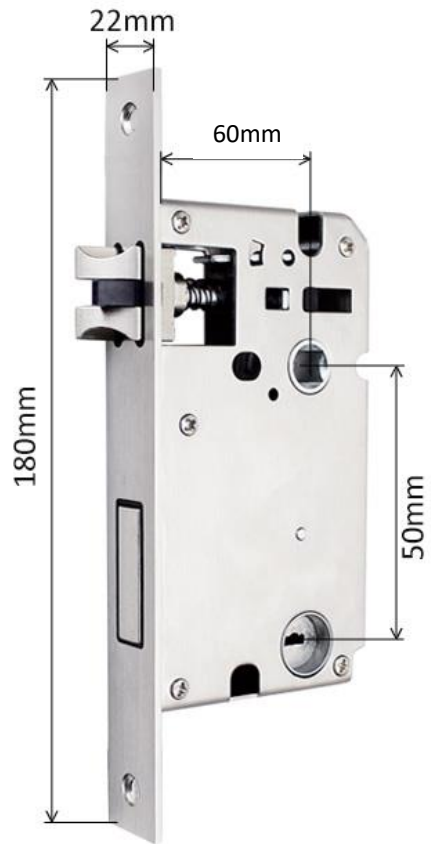
Handle length:3.93"(99.8mm)

Accept door thickness: 38-55(mm)



Pls choose the right mortise for your door

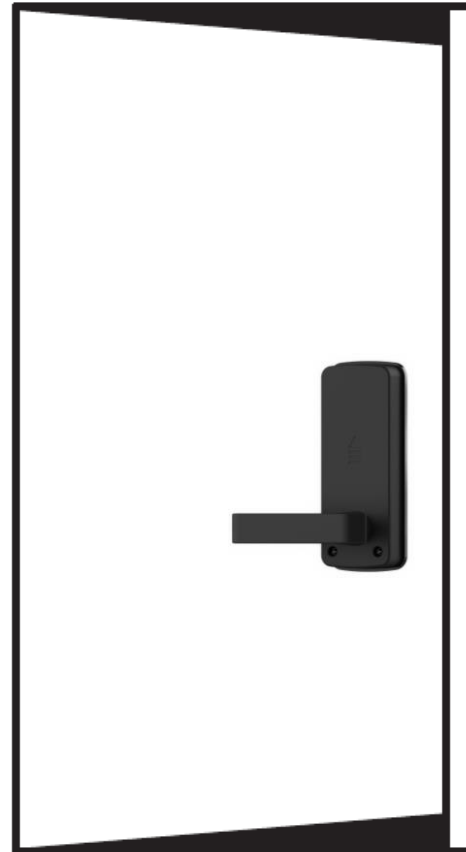
22*180 (50 50)-Black



TTLock Version



This is handed and will need to be stated on purchase weather you need a left or right lock. Please see diagram below



Left hand MLX1



Right hand MLX1

MLX1 Technical Specifications :

Material	5# Zinc alloy,304#stainless steel, ABS
Available Colour	Satin Nickle and Black Nickle
Door Thickness	38-55(mm)
Communication	Bluetooth 4.0 BLE
Support OS	iOS 7.0 or above, Android 4.4 or above
Battery Life	100,000 times normal open(12months)
Power Supply	DC6v:4pcs AA alkaline batteries
Static Current	45uA
Dynamic Current	<200mA
Unlock Way	IC card, Passcode, APP, Wristband, Mechanical Key
Unlock Time	1-1.5seconds
Working Temperature	-20~50 degree
Working Humidity	10%~95%
IP Class	(IP65 External Lock Housing) (IP54 Internal Lock Housing)
Available Mortise	5050/6050 mortise, Tubular latch
WiFi Gateway	Available
Warranty	Refer to McGrath locks Warranty form
Emergency Power Supply	5V USB External Supply Power
Emergency	Mechanical Key
Bluetooth	300 sets
Code Capacity	1 Master Code, 49 User Codes
Card Capacity	1 Master Card, 199 opening cards





Scan to download TT lock

INFORMATION AND SAFTY WARNINGS :

1.1 Introduction:

This user manual will guide you through the functions and usages of our MLX1 Bluetooth enabled smart lock. It is important that you follow the instructions and regard all notes that appear throughout this manual. Consult this manual before you attempt to use the lock. If you have questions not answered by this manual or are in need of non-routine service, contact our customer service (Phone Number)

1.2 Safety Warnings:



When reading this manual, note these icons: notes with this icon MUST be read, understood and obeyed to prevent injury or damage.



General Usage:

- This lock shall only be used as described in this manual.
- Verify that all parts of the lock are account for. If any parts are missing, contact our customer service.
- In factory default status, the lock is on always open state after you install the lock (no power on). It means handle is free and lock can't be closed, you have to power on the lock with batteries or set admin and pair the lock with app and then the open mode will be changed to private mode automatically.
- Handle directions are reversible, please kindly follow chapter 4 (installation steps3) to change the direction. Should you have any problem, please contact our customer service.
- There is a protective film on the front touch panel, if there are some scratches on the film, don't be scared. The protective film can be removed if you need.
- Use only four AA batteries. Do not mix old and new batteries or batteries from different brands. Never insert objects into the lock other than batteries as described in this manual.
- Verify all surfaces are flat and level before beginning installation, installation on doors or surface with any types of deformity such as gaps or warping may cause the lock to malfunction or fail to operate entirely.
- Never apply any cleaner directly to any part of the lock. Only use clean water and mild cleaner on a soft non-abrasive cloth when cleaning.
- Potential shock warning: do not allow water or liquids to get into lock's electric parts.
- The lock must be used with TT lock app. The lock will function without the app but full functionality may only be achieved when the app is used.



IC Card



Passcode



Key

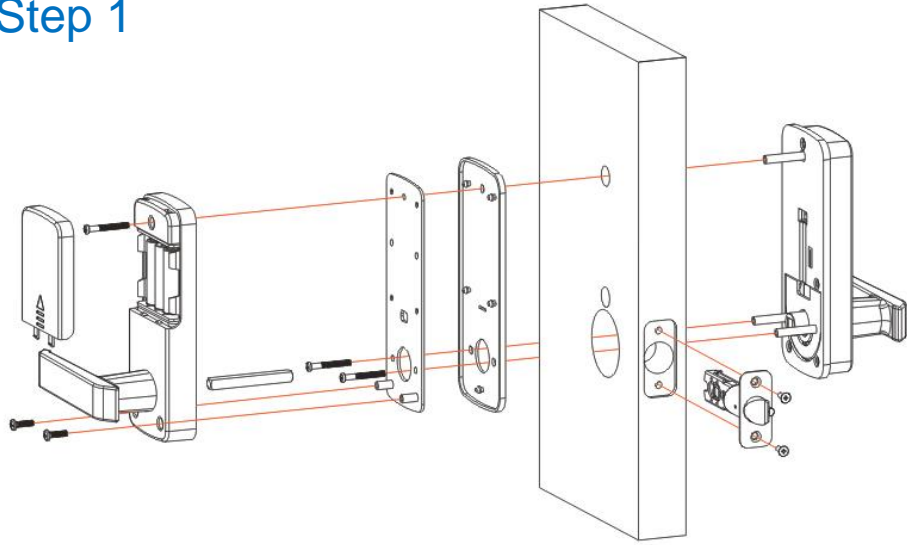


APP

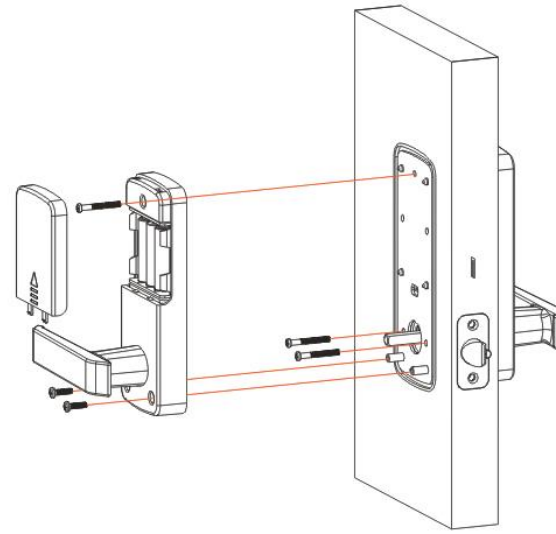


Wristband

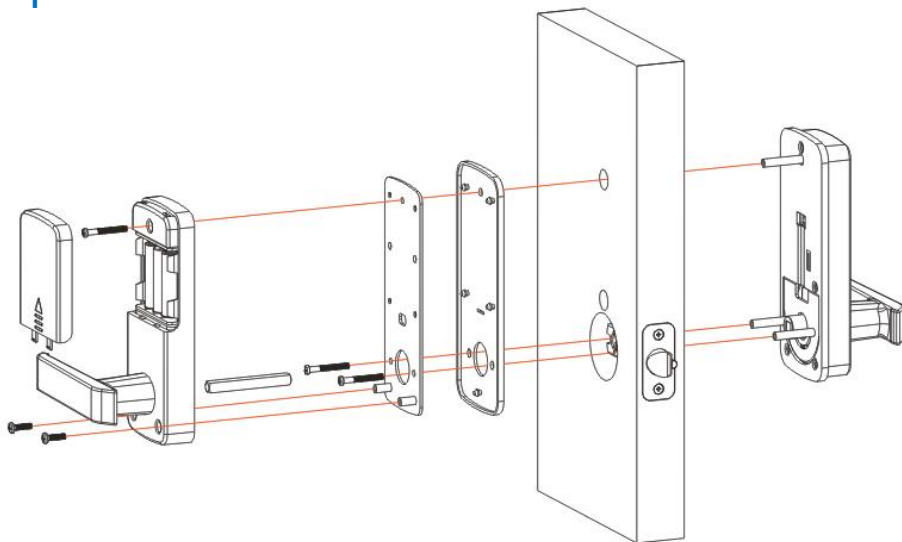
Step 1



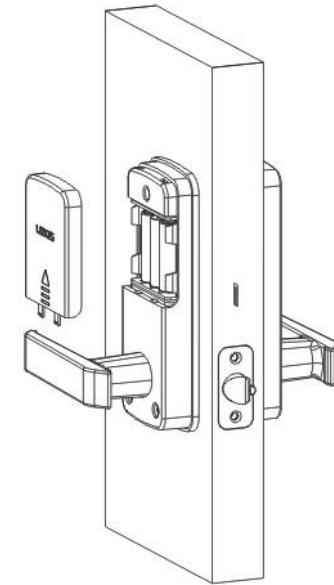
Step 3



Step 2



Step 4





WHAT ACCESSORIES IN THE BOX?



- 1* smart lock
- 1* single latch
- 2* mechanical keys
- 2* waterproof rubber gaskets
- 1*Door holder (Side catch)
- 1* Template for drilling holes
- 1* Screws & Splindles bags
- 1* User manual

