

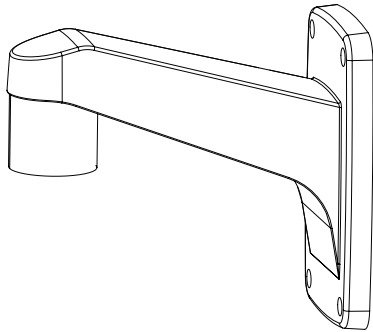
Product Overview

ENG This product is used to install the Smart Dome Camera and Anti Vandal Camera on a wall or vertical structure.

Installation Precautions

- Make sure that the installation place can endure at least 4 times of the total weight of the Wall Mount Adaptor, Hanging Mount Adaptor, and Camera.
- This product is designed to use M10 Anchor Bolts (Nuts) for the installation.
- For a concrete wall, it is recommended to use M10 Anchor Bolts (Nuts) along with plain and spring washers.
- Each anchor bolt must be capable of withstanding an extraction force of 700 kg.
- When installing the product outdoors, use interlocking devices made of stainless steel.
- You can install the Wall Mount Adaptor directly on the wall or mount it on the Corner Mount Adaptor (SBP-300KM) or Pole Mount Adaptor (SBP-300PM) before installation.

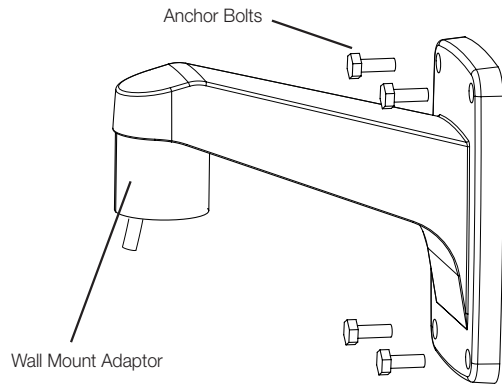
Package



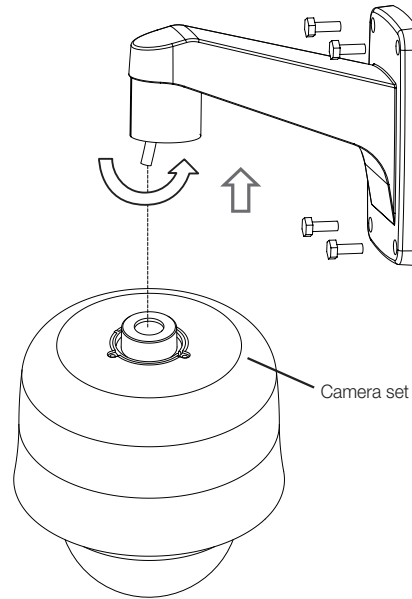
WALL MOUNT ADAPTOR

Installation

- 1 Pull out the external power cable, BNC cable and communications cable (for connecting to the "camera") through the rear of the Wall Mount Adaptor into the Pipe.
 - Then, it is recommended to keep the cables in a distance of about 100 mm from the pipe.
- 2 Secure the Wall Mount Adaptor to the wall, corner or pole using the "Anchor Bolts or Nuts (M10)".
 - When installing the product on a corner of the wall, use the Corner Mount Adaptor (SBP-300KM) and use the Pole Mount Adaptor (SBP-300PM) for a pole.
 - When installing the product on a wall, mark and drill 4 holes into the Wall Mount Adaptor and insert the Anchor Bolts or Nuts (M10) before installation.



- 3 Mount the Camera set on the Pipe.
 - Install the camera according to the camera's installation guide.



Product Specifications

- Weight : 625g
- Material : Aluminum
- Operation temp. : -50°C~60°C
- Operation hum. : 0~100%

Product Outline

