

FSH



High Security Motorised Drop Bolt

With Pre-Load Capability

VE1260

INSTALLATION MANUAL



A. Introduction

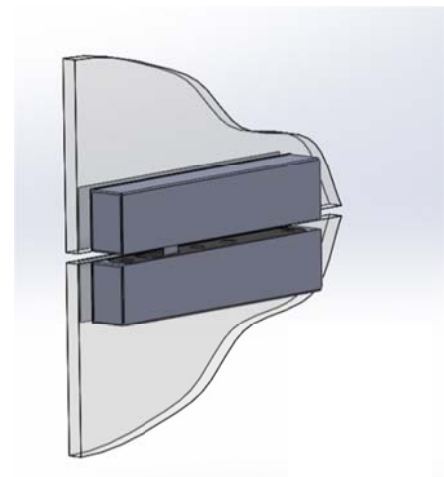
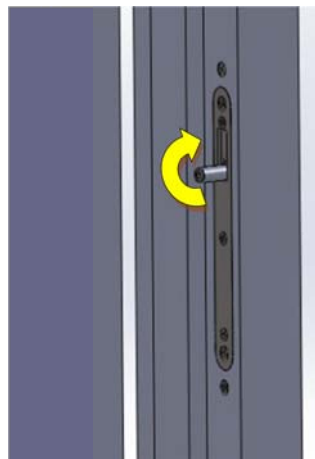
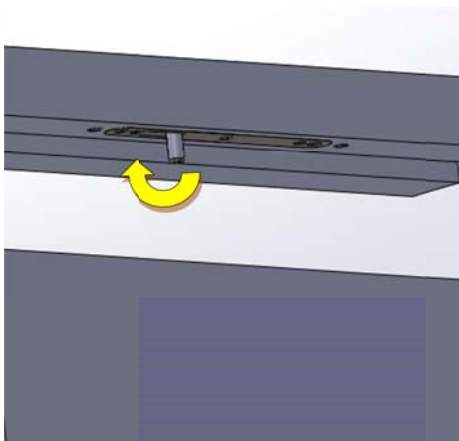
The VE1260 is a motor driven Drop Bolt with pre-load capability. The VE1260 may be commonly installed vertically in the lock style of the door frame or horizontally in the door frame header, it has a symmetric dead-bolt mechanism to allow the device to be used on 180 degree swing through doors.

B. Features

- Provides for door misalignment +/- 4.0mm from the door centre, 8.0mm in total with standard 27mm wide Strike Plate. Capable of +/-12.0mm (24mm total) with wider Strike Plate –(see accessories section for ordering information).
- Pre-Load /Side load capability:
 - 3 wire (motorised) unlocking mode up to 35kg
 - 2 wire unlocking mode up to 6kg
 - Locking up to 7kg
- Simple PTO/PTL Locking Mode changeover
- Small size (fits into most existing standard drop bolt cutouts)

C. Applications

The VE1260 Motorized Drop Bolt can operate with any type of access control or intercom system as the sole means of locking, either hinged or pivot hung doors including 180degree swing through doors. It can also be applied to hinged doors as an additional locking device to add extra security and strength to a door set. Because of its size it can be used as a replacement for existing standard drop bolts with little or, in some cases, no modifications to the door or door frame. In combination with a stainless steel surface mount box, the VE1260 is suitable for frameless glass doors and glass frames. The lock can be either mounted horizontally in the door header or vertically in the door frame lock style.

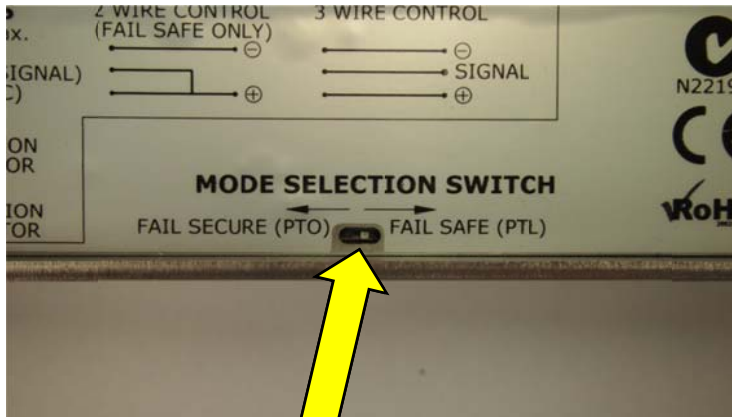


D. Technical Specification

Power Input	11-30VDC
Power Consumption	Minimum 1A Regulated Power Supply recommended Locking/unlocking cycle current is 0.25 to 1A depending on the side load. More side load = more current. After locking/unlocking the current drops down to ~0.015A(15mA)
Monitoring switch specification	Bolt changeover switch 30VDC 0.1A Max Door position reed switch 30VDC 0.35A Max
Wiring Requirements PTL (Fail Safe)	3 Wire Configuration (Recommended) Black 0v Red Continuous Positive 11-30VDC Blue Access control. Connect to positive to activate the bolt. (Strike plate magnet must be present) 2 Wire Configuration Black 0v Red and blue are connected together. When power is applied to the Red/Blue wires and the strike plate magnet is present the VE1260 will lock
Wiring Requirements PTO (Fail Secure)	3 Wire Configuration Black 0v Red Continuous Positive 11-30VDC Blue Access control. Disconnect from positive to activate the bolt. (Strike plate magnet must be present) Connect to Positive to unlock. 2 Wire Configuration There is no 2 wire configuration for PTO (Fail Secure)
Wiring Bolt Position Monitoring (unlocked position)	White -(NO) Purple -(COM) Orange -(NC)
Wiring Door Position Monitoring	Green -Reed switch Green -Reed switch Normally Open, with door open The door has to be closed to activate the Door Position Monitoring. The lock has to be lined up with the strike plate within the tolerances of +/- 4mm to activate the lock.
Durability	Meeting Australian Standard AS4145.2 - 2008 ➤ 400.000 operating cycles ➤ Durability D7
Strength	Meeting Australian Standard AS4145.2 - 2008 ➤ Static Strength S8 (611kg for 1 minute) ➤ Impact Strength S8
Operating Temperature	-20 to +60 degree Celsius.
Maximum Door Gap	8mm
Certifications	CE C-Tick Fire rated in accordance with AS1905.1.2005 Part 1 & BS476 to up to 4 hours on fire door assemblies

E. Locking Mode setting PTL(Fail Safe)/PTO(Fail Secure).

The operation mode is set by a small changeover switch on the side of the lock. The default setting from the factory is Power to Lock (Fail Safe). If Power to Open (Fail Secure) is required, use the changeover switch to reset the Locking Mode. If the lock has been powered up, it may be necessary to either remove power to the lock for 5 minutes or cycle the lock once to ensure that the changeover has come into effect.



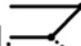
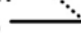
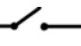
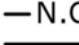

PTL(Fail Safe)/PTO(Fail Secure) Changeover switch

F. Wiring Diagram

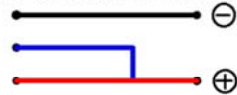
WIRING CONNECTIONS

11-30 VDC; 0.015 TO 1 Amp Max.

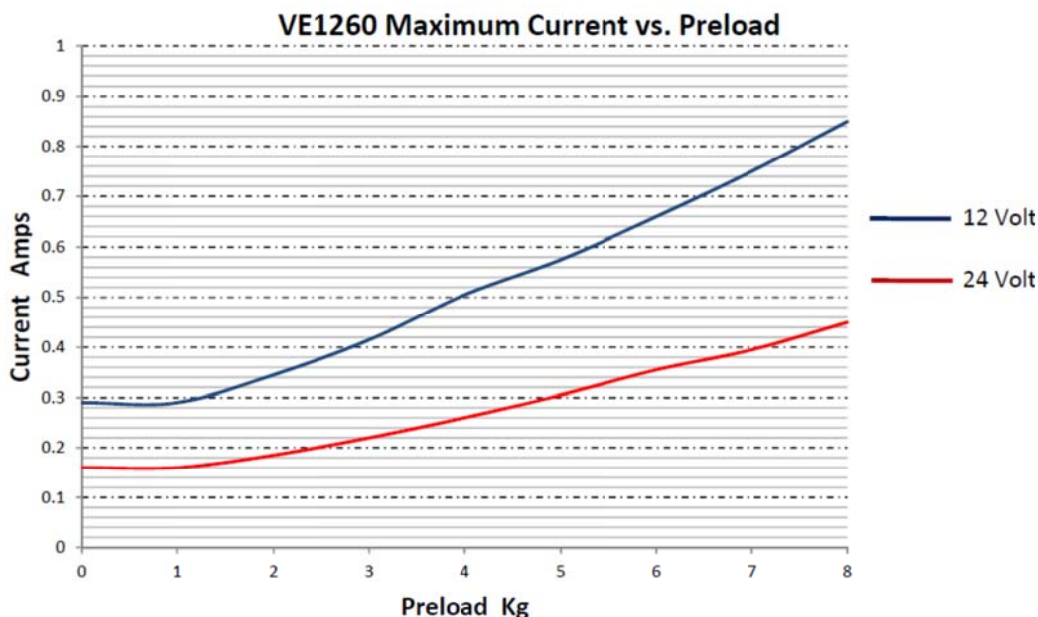
- BLACK - 0 VDC
- BLUE - ACCESS CONTROL (SIGNAL)
- RED - POSITIVE (11-30VDC)

- | | | | |
|----------|------|---|-----------------------|
| WHITE - | N.O. |  | BOLT POSITION MONITOR |
| PURPLE - | COM. |  | DOOR POSITION MONITOR |
| ORANGE - | N.C. |  | |
| GREEN - | N.O. |  | DOOR POSITION MONITOR |
| GREEN - | |  | |

2 WIRE CONTROL (FAIL SAFE ONLY)

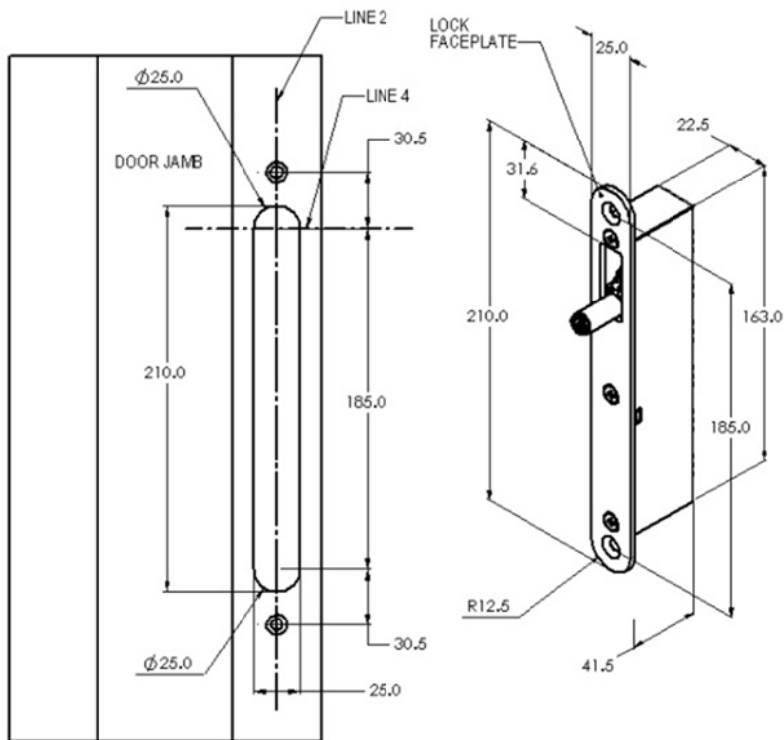


3 WIRE CONTROL (FAIL SAFE/FAIL SECURE)

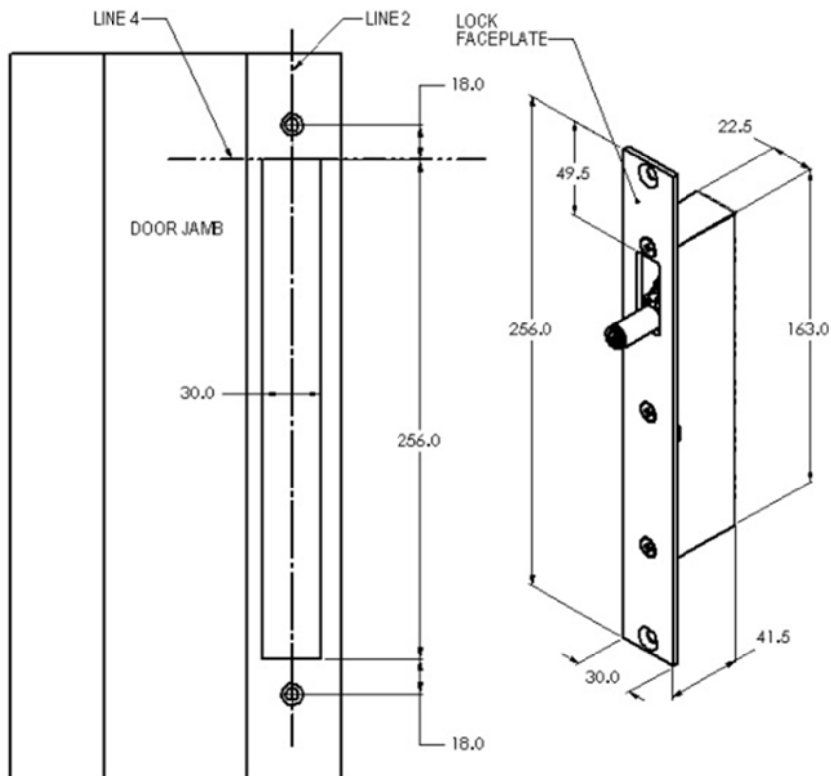


G. Product & Cut-Out Dimensions

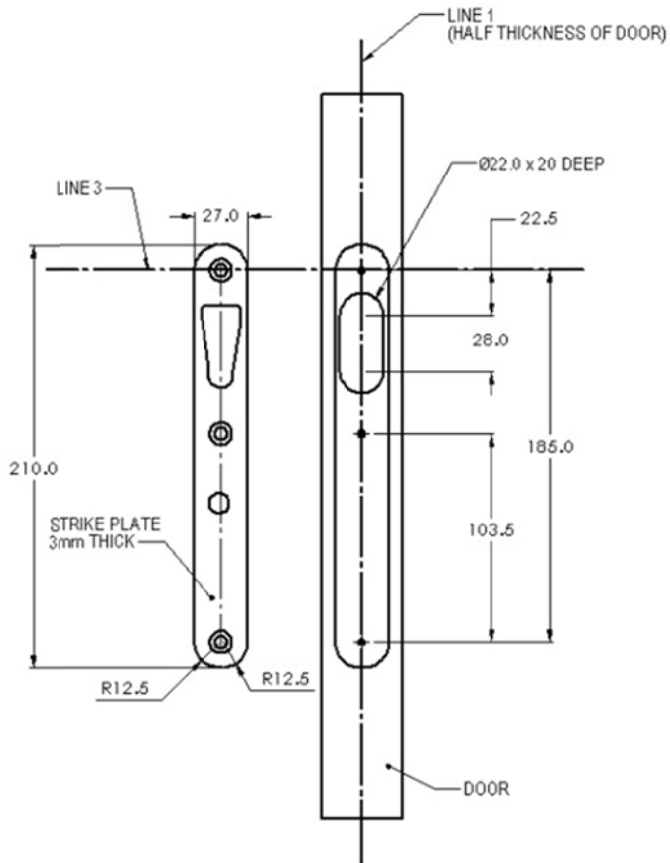
Locking Device VE1260R Round Edge:



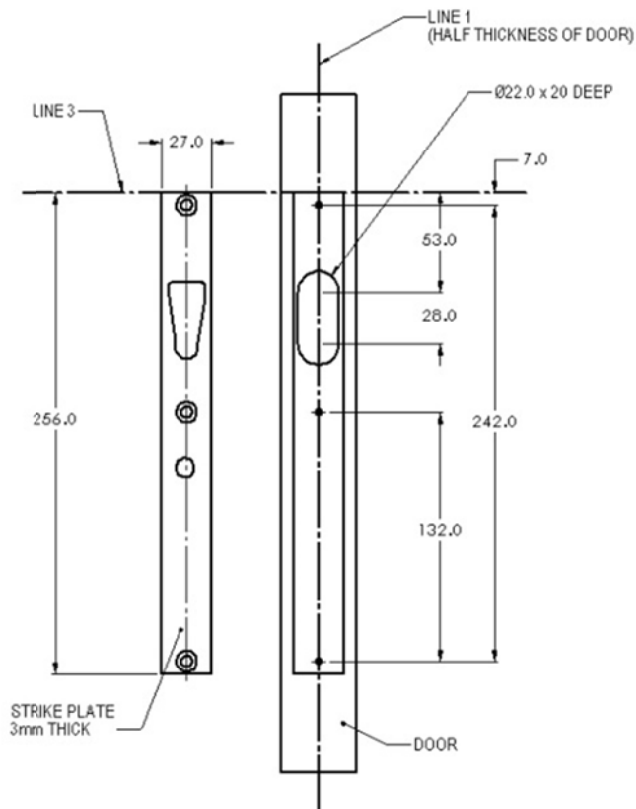
Locking Device VE1260S Square Edge:



Strike Plate VE1260R Round Edge:



Strike Plate VE1260S Square Edge:



H. Installation

a. Door Frame and Door preparation detail for Locking Device and Strike Plate

Before commencing with the installation ensure the gap between door and frame is less than 8mm

- Mark Line 1 (Strike Plate) corresponding to center line of Door
- Mark Line 2 (Lock) corresponding with Line 1 on the Door Frame

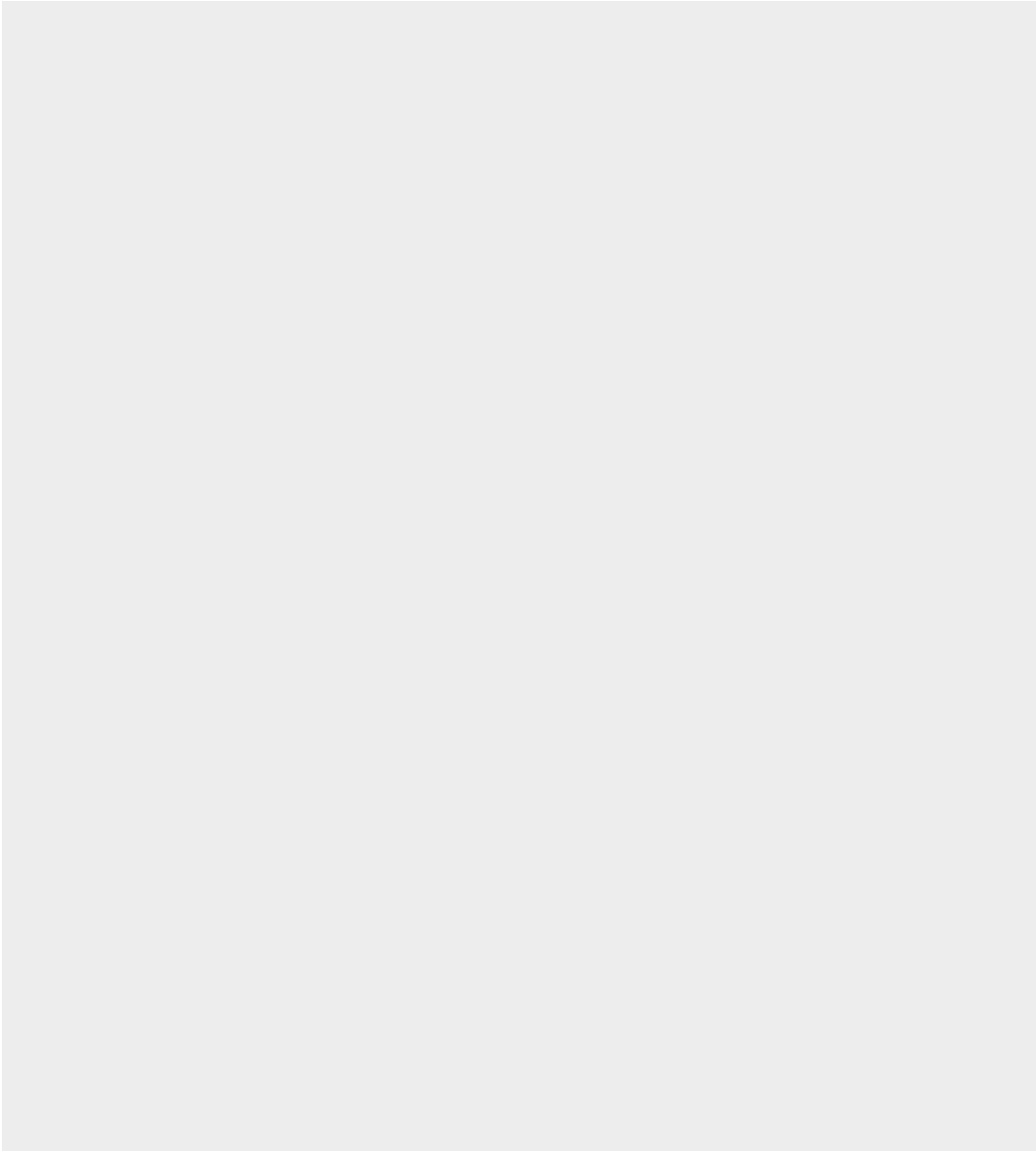
Note: Ensure Line 1 and Line 2 align when the door is in the closed position.

- Mark Line 4 on the Door Frame, corresponding to the top edge of the lock faceplate (square edge) or centre of top mounting hole (round edge).
- Mark Line 3 on the Door, ensuring it is aligned with corresponding line 4 on the Door Frame.
- Mark and recess cut-out of strike plate and lock faceplate using Line 1 as the centre guide and Line 3 as the height guide
- Cut out a 22mm wide and 20mm deep cavity in the door underneath the strike plate for the bolt to be able to fully engage.
- Install the strike plate on the door, and lock in door frame. Ensure the door gap between the strike plate and the faceplate on the locking device is not more than 8mm

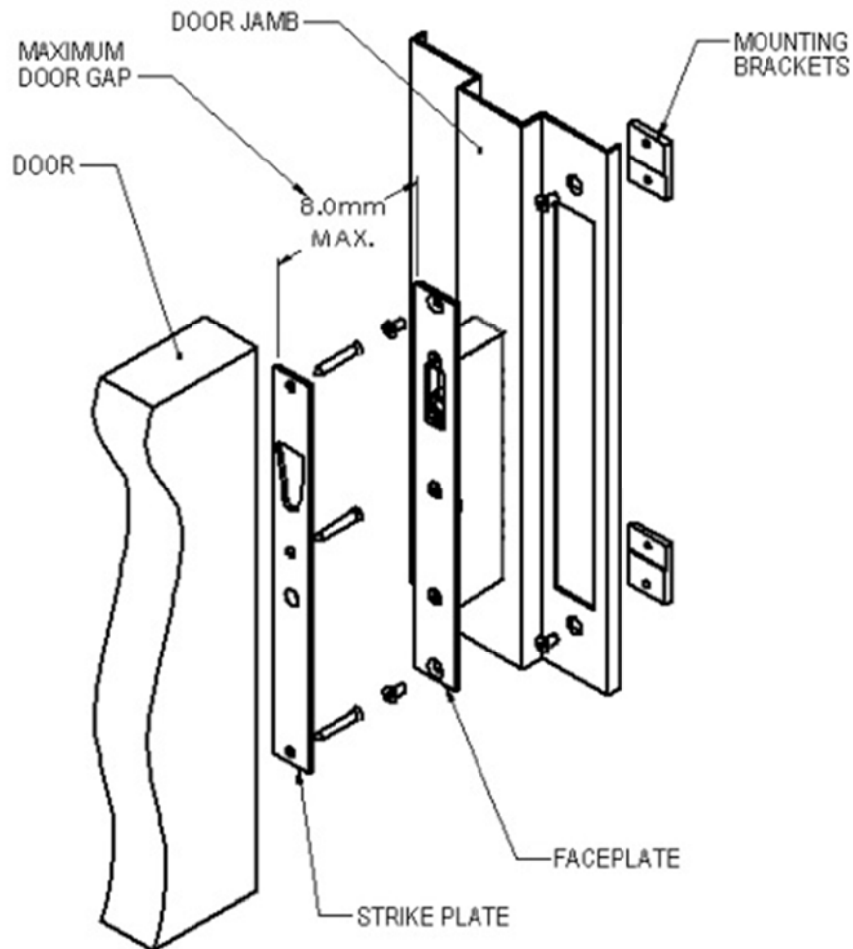
Note: Thickness of strike plate & faceplate = 3mm

b. **Installation of Locking Device and Strike Plate**

VE1260R Round Edge



VE1260S Square Edge



- Ensure all wiring connections are correct and insulated, with no wires contacting any sharp edges.
- Install the locking device into the door frame and strike plate on door as shown above.
- Connect the device and apply power, allow the door to open and close normally. When the door closes and the magnet of the strike plate is line up within the locking range, the bolt of the locking device will engage within the strike plate and lock the door.
- Ensure 11-30 Volts is measured at the lock during locking.

I. Notes

- Locking device must only be used in weather protected areas.
- Locking device must only be installed vertically or horizontally within or on the door frame. Floor mounting is not recommended and will void the warranty.
- Locking device requires a strike plate to operate. It also requires the strike plate to correctly align with the lock faceplate.

J. Accessories and Ordering Information

Electromechanical Drop Bolts	
VE1260R	VE-Lock Pre-Load Drop Bolt 25mm Face Plate including 27mm Strike Plate ROUND EDGE
VE1260S	VE-Lock Pre-Load Drop Bolt 30mm Face Plate including 27mm Strike Plate SQUARE EDGE (PADDE ES8000 Replacement)
Accessories	
VE1260R-GL	Single Glass Door Box for VE1260R Lock or VE1260R-ST4 Strike Plate ROUND EDGE
VE1260LED-BOX	LED Monitor Box for Lock-Status Monitoring Indication (Red/Green)
VE1260R-SCEC	Security Bracket for VE1260R
VE1260S-ST6	Strike Plate 31mm for VE1260 Series to cater for +/-6mm door misalignment minimum Door Thickness 35mm SQUARE EDGE
VE1260S-ST9	Strike Plate 35mm for VE1260 Series to cater for +/-9mm door misalignment minimum Door Thickness 40mm SQUARE EDGE
VE1260S-ST12	Strike Plate 40mm for VE1260 Series to cater for +/-12mm door misalignment minimum Door Thickness 50mm SQUARE EDGE
Spare Parts	
VE1260R-ST4	Standard Strike Plate 27mm Spare Part for VE1260R to cater for +/-4mm door misalignment ROUND EDGE
VE1260S-ST4	Standard Strike Plate 27mm Spare Part for VE1260S to cater for +/-4mm door misalignment SQUARE EDGE



CENTRAL SECURITY DISTRIBUTION

1300 319 499
csd.com.au

VIC: Mulgrave, Tullamarine NSW: Seven Hills, Waterloo ACT: Fyshwick QLD: Loganholme SA: Marlestone WA: Balcatta