

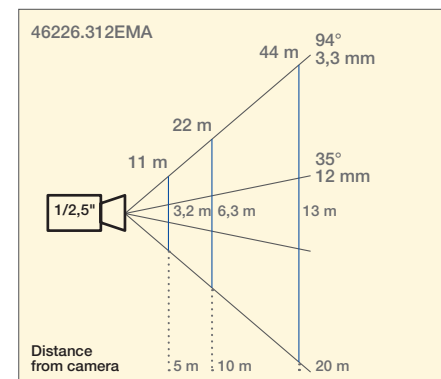
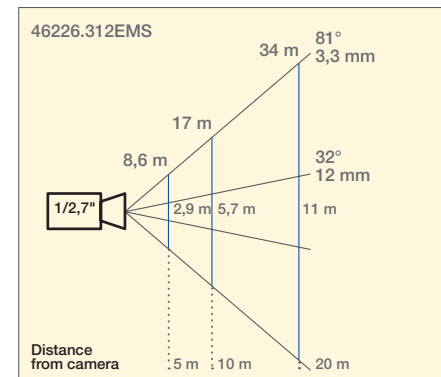
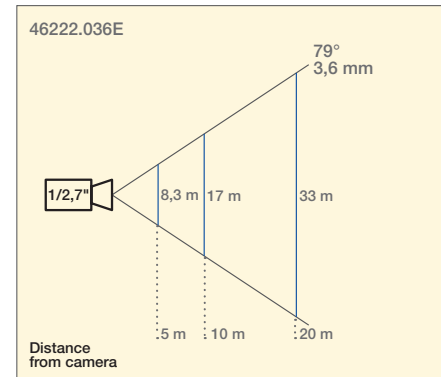
IP Dome cameras - 5 Mpx



| Models | ▲ 46222.028E(036E) | ▲ 46226.312EMS motorised | ▲ 46226.312EMA motorised |
|----------------------------|--|--|--|
| Sensor | 1/2,7" CMOS progressive scan, 5 Mpx | 1/2,7" CMOS progressive scan, 5 Mpx | 1/2,5" CMOS progressive scan, 5 Mpx |
| Resolution | 2592 x 1944 | 2592 x 1944 | 2592 x 1944 |
| Sensitivity | 0.013 lux @F1.2, AGC ON; 0 lux (IR led ON) | 0.013 lux @F1.2, AGC ON; 0 lux (IR led ON) | 0.036 lux@F2.0, AGC ON; 0 Lux (IR led ON) |
| Video compression | H264 - H265 - MJPEG | H264 - H265 - MJPEG | H264 - H265 - MJPEG |
| Day & night | ICR | ICR | ICR |
| Lens | 2,8/3,6 mm @ F2.0 view angle: 79° | Motorised 3.3 - 12 mm @ F1.4 view angle: 81° - 32° | Motorised 3,3 - 12 mm @F1.4 view angle: 94° - 35° |
| Main frame rate | 20 Fps (2592 x 1944) 30 Fps (2592 x 1520) 30 Fps (2560 x 1440) 30 Fps (2304 x 1296) 30 Fps (1920 x 1080) 30 Fps (1280X 720) | 20 Fps (2592 x 1944) 30 Fps (2592 x 1520) 30 Fps (2560 x 1440) 30 Fps (2304 x 1296) 30 Fps (1920 x 1080) 30 Fps (1280X 720) | 30 Fps (2592 x 1944) 30 Fps (2592 x 1520) 30 Fps (2560 x 1440) 30 Fps (2304 x 1296) 30 Fps (1920 x 1080) 30 Fps (1280X 720) |
| Secondary frame rate | 30 Fps (1280X 720) 30 Fps (D1) 30 Fps (CIF) 30 Fps (480 X 240) | 30 Fps (1280X 720) 30 Fps (D1) 30 Fps (CIF) 30 Fps (480 X 240) | 15 Fps (1280X 720) 30 Fps (D1) 30 Fps (CIF) 30 Fps (480 X 240) |
| Bit Rate | 128 kbps ~ 10 Mbs | 128 kbps ~ 10 Mbs | 128 kbps ~ 10 Mbs |
| SD card | No | No | Yes, not included (128 GB max) |
| Audio in/out | 0/0 | 0/0 | 1/1 |
| In/out alarm | 0/0 | 0/0 | 1/1 |
| CVBS output video | No | No | Yes |
| Smart video analysis | - | - | Line crossing, area intrusion, left and removed object, technical fault |
| Function | WDR, Smart IR, ROI, 3D DNR, Mask, Motion, HLC, BLC, Defog, Corridor | WDR, Smart IR, ROI, 3D DNR, Mask, Motion, HLC, BLC, Defog, Corridor | Real WDR, Smart IR, ROI, 3D DNR, Mask, Motion, HLC, BLC, Defog, Corridor |
| Compatibility | ONVIF | ONVIF | ONVIF |
| IR range | 10 - 20 m | 20 - 30 m | 20 - 30 m |
| Protection rating IP/IK | IP 66 | IP66 | IP66 / IK10 |
| Operating temperature | -20° C / +60°C | -20° C / +60°C | -20° C / +60°C |
| Power supply / consumption | 12 Vdc / PoE - 340 mA 4,1 W | 12 Vdc / PoE - 660 mA 8 W | 12 Vdc / PoE - 680 mA 8,2 W |
| Dimensions (mm) | ø 108 x 95 mm | ø 130 x 115 | ø 150 x 114 |
| Weight (g) | 405 | 690 | 1260 |
| Notes | RTSP*, multi-stream. Bracket included. Installable with 46922.014 contact box | RTSP*, multi-stream. Bracket included. Installable with 46922.014 contact box | RTSP*, multi-stream. Bracket included. Installable with 46922.012.01 contact box |

* RTSP: function for connecting directly to the By-me home automation system without using NVR or as additional cam for IP video entry system.

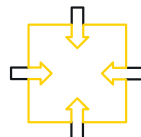
Shooting range



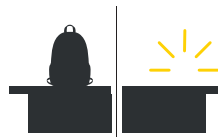
Video analysis applications (46226.312EMA)



Line crossing



Area intrusion



Left and removed object



Technical fault (failure or tampering)

The system records the information:

- if a person crosses a line or a virtual area (defined in the graphical interface);
 - if an object is removed within the camera shooting area;
 - if the camera has been damaged or is malfunctioning;
- all the events generated are notified to the NVR, activating the recording or the alarm