

### IP Bullet cameras - 5 Mpx



VIEW  
IoT smart life



VIEW  
IoT smart life



VIEW  
IoT smart life

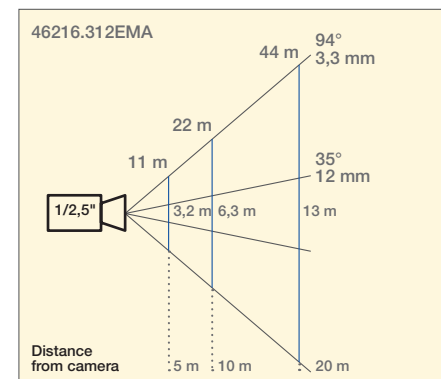
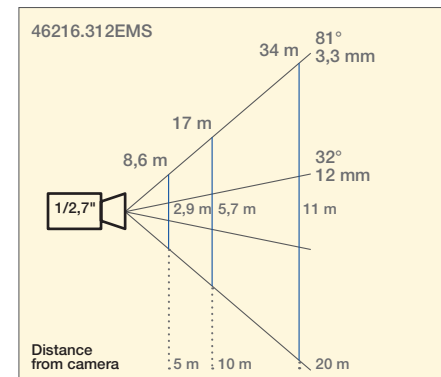
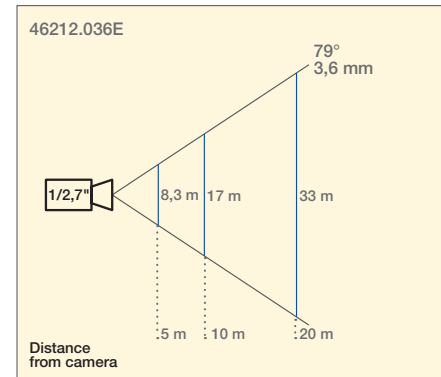


Video analysis

Models	▲ 46212.028E(036E)	▲ 46216.312EMS motorised	▲ 46216.312EMA motorised
Sensor	1/2,7" CMOS progressive scan, 5 Mpx	1/2,7" CMOS progressive scan, 5 Mpx	1/2,5" CMOS progressive scan, 5 Mpx
Resolution	2592 x 1944	2592 x 1944	2592 x 1944
Sensitivity	0.013 lux @F1.2, AGC ON; 0 lux (IR led ON)	0.013 lux @F1.2, AGC ON; 0 lux (IR led ON)	0.036 lux@F2.0, AGC ON; 0 Lux (IR led ON)
Video compression	H264 - H265 - MJPEG	H264 - H265 - MJPEG	H264 - H265 - MJPEG
Day & night	ICR	ICR	ICR
Lens	2,8/3,6 mm @ F2.0 view angle: 79°	Motorised 3.3 - 12 mm @ F1.4 view angle: 81° - 32°	Motorised 3,3 - 12 mm @F1.4 view angle: 94° - 35°
Main frame rate	20 Fps (2592 x 1944) 30 Fps (2592 x 1520) 30 Fps (2560 x 1440) 30 Fps (2304 x 1296) 30 Fps (1920 x 1080) 30 Fps (1280X 720)	20 Fps (2592 x 1944) 30 Fps (2592 x 1520) 30 Fps (2560 x 1440) 30 Fps (2304 x 1296) 30 Fps (1920 x 1080) 30 Fps (1280X 720)	30 Fps (2592 x 1944) 30 Fps (2592 x 1520) 30 Fps (2560 x 1440) 30 Fps (2304 x 1296) 30 Fps (1920 x 1080) 30 Fps (1280X 720)
Secondary frame rate	30 Fps (1280X 720) 30 Fps (D1) 30 Fps (CIF) 30 Fps (480 X 240)	30 Fps (1280X 720) 30 Fps (D1) 30 Fps (CIF) 30 Fps (480 X 240)	15 Fps (1280X 720) 30 Fps (D1) 30 Fps (CIF) 30 Fps (480 X 240)
Bit Rate	128 kbps ~ 10 Mbs	128 kbps ~ 10 Mbs	128 kbps ~ 10 Mbs
SD card	No	No	Yes not included (128GB max)
Audio in/out	0/0	0/0	1/1
In/out alarm	0/0	0/0	1/1
CVBS output video	No	No	Yes
Smart video analysis	-	-	Line crossing, area intrusion, left and removed object, technical fault
Function	WDR, Smart IR, ROI, 3D DNR, Mask, Motion, HLC, BLC, Defog, Corridor	WDR, Smart IR, ROI, 3D DNR, Mask, Motion, HLC, BLC, Defog, Corridor	Real WDR, Smart IR, ROI, 3D DNR, Mask, Motion, HLC, BLC, Defog, Corridor
Compatibility	ONVIF	ONVIF	ONVIF
IR range	20 - 30 m	20 - 30 m	30 - 50 m
Protection rating IP	IP66	IP66	IP66
Operating temperature	-20° C / +60° C	-20° C / +60° C	-20° C / +60° C
Power supply / consumption	12 Vdc / PoE - 480 mA 5,8 W	12 Vdc / PoE - 730 mA 8,8 W	12 Vdc / PoE - 790 mA 9,5 W
Dimensions (mm)	87 x 87 x 219	87 x 87 x 219	109 x 109 x 264
Weight (g)	630	630	1115
Notes	RTSP*, multi-stream. Bracket included. Installable with 46922.014 contact box	RTSP*, multi-stream. Bracket included. Installable with 46922.014 contact box	RTSP*, multi-stream. Bracket included. Installable with 46922.013 contact box

\* RTSP: function for connecting directly to the By-me home automation system without using NVR or as additional cam for IP video entry system.

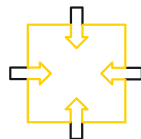
### Shooting range



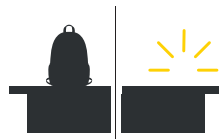
### Video analysis applications (46216.312EMA)



Line crossing



Area intrusion



Left and removed object



Technical fault  
(failure or tampering)

The system records the information:

- if a person crosses a line or a virtual area (defined in the graphical interface);
  - if an object is removed within the camera shooting area;
  - if the camera has been damaged or is malfunctioning;
- all the events generated are notified to the NVR, activating the recording or the alarm