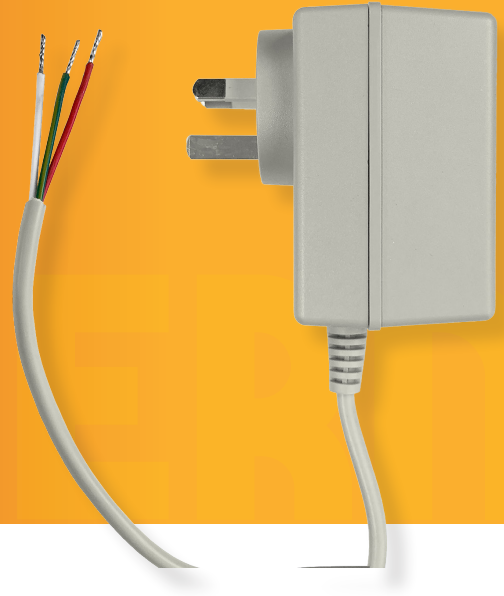


48C Plug-in Power Supply Unit

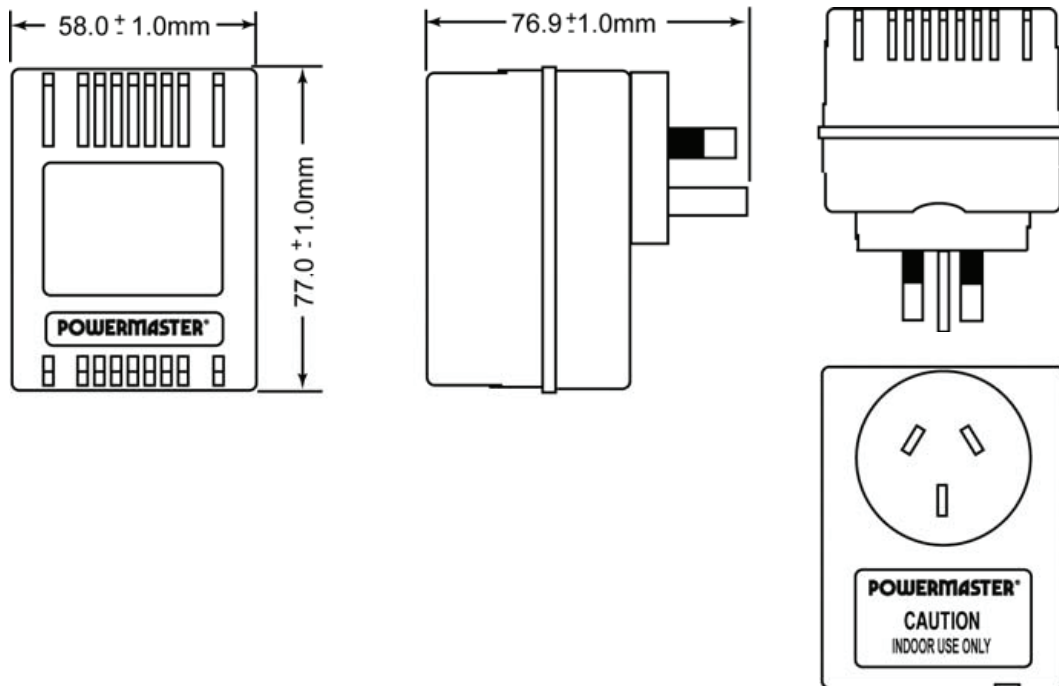
T1615MEP



FEATURES

- 48C Series AC Adaptor (Alarm Panel PSUU).
- Large ventilated case with 24 Watt maximum capacity designed for applications such as security systems.
- Specialised 16V AC 1.5 Amp Class 1 (earthed) version available with ash coloured case for security system manufacturers and installers.
- A selection of models are stocked.
- Custom models can be made from 3V to 30V with 300mA to 4 Amp current range.
- Insulated active and neutral pins meet AS/NZS3112 for improved electrical safety.
- Dimensions 58(W) × 77(H) × 57(D) mm.
- Electrical Safety Authority Approved.

DESIGN & CONSTRUCTION



To view Access' extensive ranges go to: www.accesscomms.com.au

Sydney (Head Office)
Brisbane Office
Melbourne Office
Adelaide Office

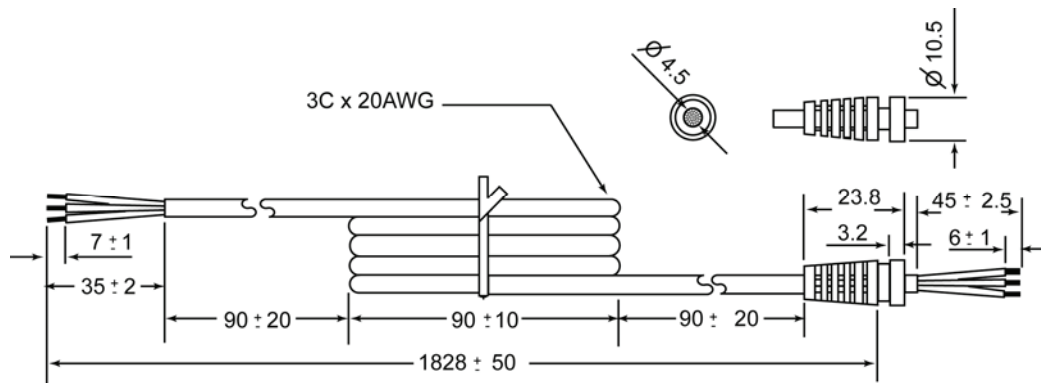
Unit 1, 29 Prince William Drive, Seven Hills NSW 2147
28 The Gateway, Broadmeadows VIC 3047
71 Anzac Highway, Ashford SA 5035

Phone: (02) 9414 8888
Phone: (07) 3308 5555
Phone: (03) 9330 8333
Phone: (08) 8338 5540

sales@accesscomms.com.au
brisbane@accesscomms.com.au
melbourne@accesscomms.com.au
adelaide@accesscomms.com.au

48C Plug-in Power Supply Unit

T1615MEP



| ELECTRICAL CHARACTERISTICS | | |
|----------------------------|--------------|------------------------|
| Load Current | Input | Input Exciting Current |
| 0mA | 240V AC 50Hz | 85mA Max |
| 1500mA | 240V AC 50Hz | 165mA Max |

| INPUT | | |
|---------------|--------------|----------------|
| Input Voltage | Load Current | Output Voltage |
| 240V AC 50Hz | 0ma | 18.8V AC ±5% |
| | 1500mA | 16.0V AC ±5% |

| ENVIRONMENTAL | |
|-----------------------|--------------------------------------------------------------------------------------------------------------------------------------------------------------------------------------|
| Operating Temperature | -10°C ~ +40°C (10~90% RH) |
| Storage Temperature | -20°C ~ +70°C (10~90% RH) |
| Exciting Current | 85mA max with input of 240VAC 50Hz |
| Insulation Resistance | 100MΩ minimum between primary and secondary and core of transfer @ 500VDC |
| Efficiency | 78.6% minimum |
| Hi-Pot Test * ** | There shall be no electrical damage after applying 3000V AC 50/60Hz between primary and secondary, primary and core and primary and case for 1 minute (detecting current set to 2ma) |
| Temperature Rise *** | With input of 240V AC 50Hz and output load of 1500mA, the temperature rise shall not exceed 45°C on the case surface and 75°C for the input coil |
| Vibration Test | Vibrating frequency 10-55-10Hz. Direction X-Y-Z. Sweep time 30 min. No abnormal electrical or mechanical condition shall be found |
| Audible Noise | With rated voltage input ±10%, approx sinewave I/P applied to the primary and with the secondary loaded, no audible noise shall be present at a distance of 1m from the transformer |

| AUSTRALIAN COMPLIANCE | |
|-------------------------------|----------------------|
| Electrical Safety | Certificate NSW17582 |
| EMC | |
| Energy Efficiency (MEPS Mark) | |

* There shall be no breakdown applying 3600VAC for 2 seconds
 ** Secondary circuit is connected to the transformer
 *** Measure by resistance method

To view Access' extensive ranges go to: www.accesscomms.com.au

Sydney (Head Office)
 Brisbane Office
 Melbourne Office
 Adelaide Office

Unit 1, 29 Prince William Drive, Seven Hills NSW 2147
 28 The Gateway, Broadmeadows VIC 3047
 71 Anzac Highway, Ashford SA 5035

Phone: (02) 9414 8888
 Phone: (07) 3308 5555
 Phone: (03) 9330 8333
 Phone: (08) 8338 5540

sales@accesscomms.com.au
 brisbane@accesscomms.com.au
 melbourne@accesscomms.com.au
 adelaide@accesscomms.com.au

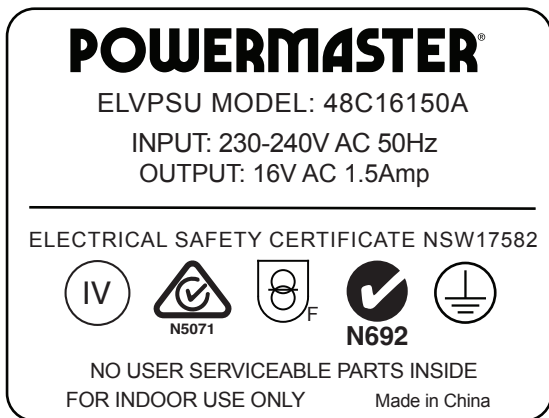
48C Plug-in Power Supply Unit

T1615MEP

MECHANICAL CHARACTERISTICS

| | | |
|--------------------|----------------------------------------------------------------------------------------------------------------------------------------------------------------------------------------------------------------------------------------|--------------------|
| Configuration | Wall-mount, (integral mains pins) | |
| Mains Pins | AS/NZS3112:2004 (SAA) 3 pins, insulated active and neutral | |
| Dimensions | 77.9(L) x 59(W) x 78.0(H)mm max | |
| Weight | 620g max | |
| Cooling | Natural Convection | |
| Thermal Fuse | 130°C 2A 250V | |
| Terminal Strength | AC Side | DC Side |
| | 10kg for 60 seconds | 5kg for 60 seconds |
| | No breakage shall occur after the completion of the test | |
| Drop Test | No abnormal condition should be found after a free-fall from a height of 75cm onto a 1cm thick (min) wood surface. After a total of 6 drop tests (one on each plane) the adaptor shall pass the insulation resistance test (100MΩ min) | |
| Cord Bending Test | The cord shall withstand a total of 1000 40 cycle/min swings from left to right at an angle of 120° with a 300g weight attached | |
| Strain Relief Test | The cord shall withstand a weight of 9.1Kg attached to the cord end for one minute min. There shall be no visible or electrical damage. | |

RATING PLATE



To view Access' extensive ranges go to: www.accesscomms.com.au

Sydney (Head Office)
Brisbane Office
Melbourne Office
Adelaide Office

Unit 1, 29 Prince William Drive, Seven Hills NSW 2147
 28 The Gateway, Broadmeadows VIC 3047
 71 Anzac Highway, Ashford SA 5035

Phone: (02) 9414 8888
 Phone: (07) 3308 5555
 Phone: (03) 9330 8333
 Phone: (08) 8338 5540

sales@accesscomms.com.au
brisbane@accesscomms.com.au
melbourne@accesscomms.com.au
adelaide@accesscomms.com.au