

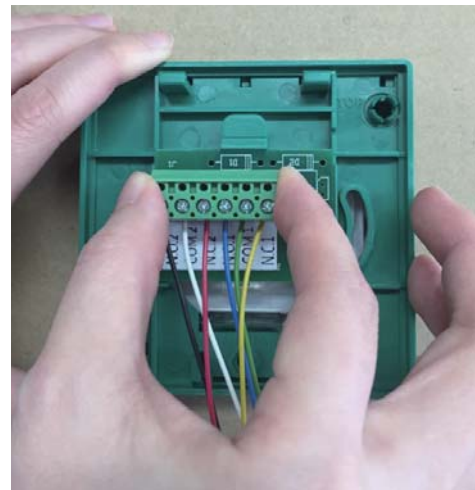
Resettable Call Points

CP-32/33 Series

Patented, Safe, Visible, Easy to Install



Detachable Terminal Block



The GEM Resettable Call Point features a resettable operating element that produces no dangerous glass shards, making it suitable for use in high traffic areas, such as schools, shopping malls, or commercial buildings. The CP-33 series is designed with detachable terminal blocks allowing for easy and quick installation.

Specifications

- Operating voltage: 12/24 VDC (Default 24VDC for CP-32BZ-LB series)
- Contact resistance: 100 mΩ
- Contact rating: 5A 125/250 VAC
- Resettable key included
- Choice of 5 colors (Green/Blue/Yellow/White/Red)
- Detachable terminal block for easy installation (For CP-33 series)

Standard Options

- LED indicator
- Blue backlight
- Built-in 80db buzzer

Patents, Approvals, and Listings

- CE: 332113
- Patent: Taiwan M444599

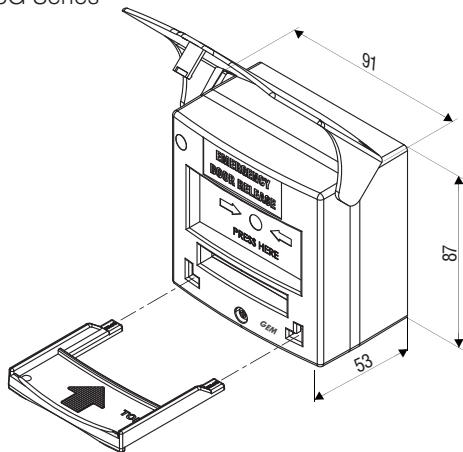


CP-32/33 Series Resettable Call Points

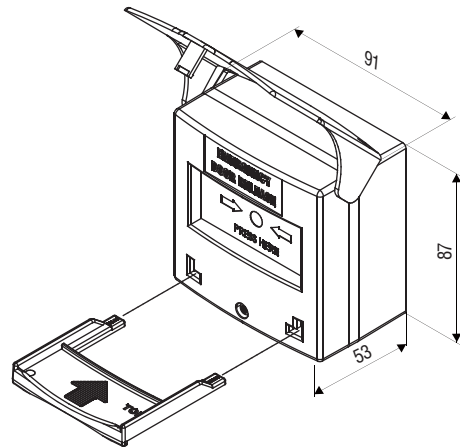
Models	Contact	Blue Backlight	LED	Built-in Buzzer	Case Colors
CP-32G CP-33G	Double pole	—	—	—	<u>Green</u> , <u>Red</u> , <u>Yellow</u> , <u>White</u> , <u>Blue</u>
CP-32G-L	Double pole	—	●	—	<u>Green</u> , <u>Red</u> , <u>Yellow</u> , <u>White</u> , <u>Blue</u>
CP-32G-LB	Double pole	●	—	—	<u>Green</u> , <u>Red</u> , <u>Yellow</u> , <u>White</u> , <u>Blue</u>
CP-32GBZ-LB	Double pole	●	—	●	<u>Green</u> , <u>Red</u> , <u>Yellow</u> , <u>White</u> , <u>Blue</u>

CP-32/33 Series Dimensions

CP-32G Series
CP-32G-L Series
CP-33G Series



CP-32G-LB Series
CP-32GBZ-LB Series



Accessories

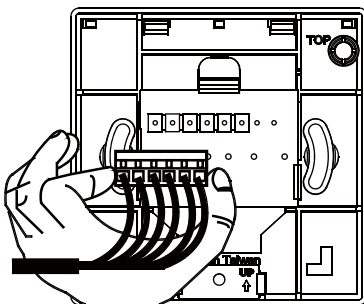
P-PL-CP-32-K
Resettable key



P-PL-CP-32-UC
Clear plastic cover



CP-33 Series with Detachable Terminal Blocks



The CP-33 series with Detachable Terminal Blocks is designed with convenient terminal block concept for easy and quick installation. Simply wire the terminal connector and plug it in the back of the CP-33 product. No re-termination is required.