

# 3570 Series Electric Mortice Lock

## General Information

Designed and manufactured in Australia, the 3570 series electric mortice is a high performance lock of superior quality. It is constructed from high grade zinc alloy, with a stainless steel latch bolt and face plate and is suited for all commercial applications.

The lock can be operated by push buttons, intercom systems and key switches; or integrated with electronic access control systems for use with higher security devices such as keypads or card readers.

## Key Features

Designed with flexibility in mind, the one lock can cover all functions and is easily configured on site for the required application.

Available in non monitored and monitored versions.

### Monitoring features:

- Dead latched and Locked
- Door position/Reed switch
- Dual key override monitoring
- Request to exit/REX
- LED indication

### Field Changeable settings:

- Fail safe/fail secure configuration.
- Multi-voltage - will work on 12-24 Vdc systems.
- Handing - left hand and right hand doors
- Selection of free lever or locked lever on both sides of the door
- Key override monitoring either side of the door
- Monitoring contacts – normally closed, normally open (for key override and request to exit only)



## Standards and Compliance

**S3** (Security) Australian Lock Standard (AS4145.2.1993)  
(when used with equivalent security level keying system)

**D3** (Durability) Australian Lock Standard (AS4145.2.1993)



Successfully fire rated up to 4hrs on fire door assemblies in accordance with AS1905.1. 2005 (Part 1: Fire resistant door sets)

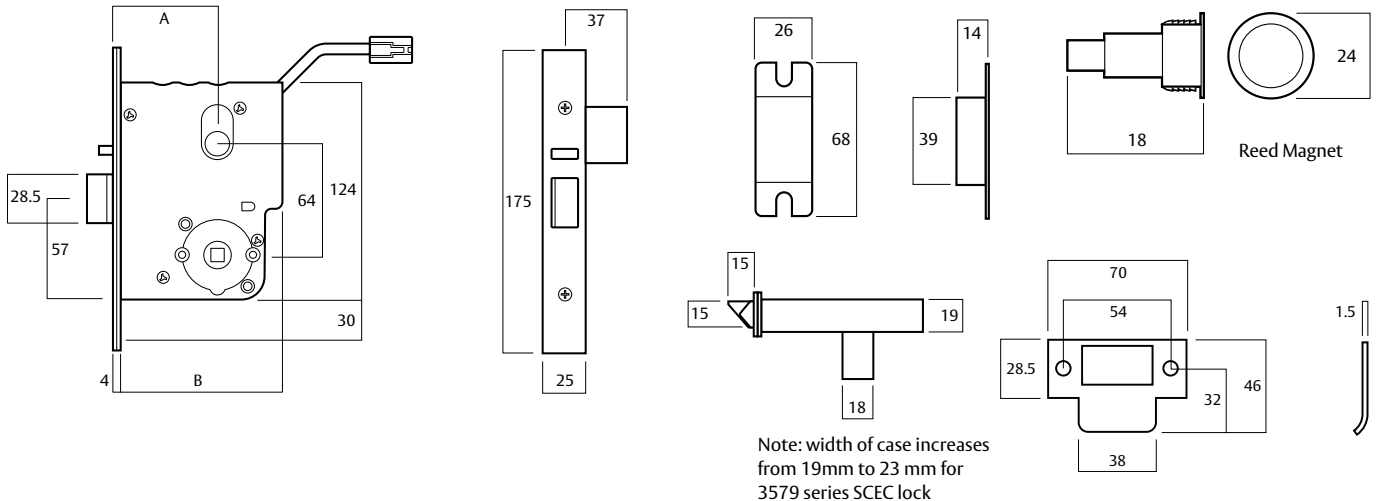


C-Tick Certified

3570 Series: SCEC endorsed for intruder resistant areas

3579 Series: SCEC endorsed for secure areas

# 3570 Series Electric Mortise Lock



Dimension	Backset		
A	60	89	127
B	100	129	167

## 3570 Technical Information

<b>Voltage</b>	12Vdc - 24Vdc Operating Voltage
<b>Current</b>	500mA (max) 80mA holding @ 12Vdc 275mA (max) 50mA holding @ 24Vdc
<b>LED Current</b>	When LED's are fitted, add 15mA (max) to total current draw
<b>Monitoring</b>	Dual Key override Deadlatched Locked Door closed Request to exit Microswitches: 500mA (max) @ 30Vdc each circuit. Reedswitch: 100mA (max) @ 30Vdc
<b>Environment</b>	Operational temperature range -20c to + 60c
<b>Case/ Cover</b>	High purity Zinc alloy construction
<b>Backset</b>	60mm standard, 89 & 127 mm available
<b>Latch bolts</b>	Reversible with Stainless Steel construction.
<b>Door Clearance</b>	3 – 6.5 mm
<b>Door thickness</b>	Standard applications 32 to 50mm.
<b>Cylinder</b>	Standard Lockwood oval shaped cylinders.
<b>Cabling</b>	1.6 metre length of cable with 12 pin socket supplied with each lock. Recommended cable: 18AWG (0.82mm <sup>2</sup> ) cable runs up to 30m.
<b>Furniture</b>	Compatible with Lockwood series door furniture.
<b>Standard Finishes</b>	Satin Chrome(SC) standard. Bright Chrome (CP) and Polished Brass(PB) finishes available

Note: For detailed electrical specifications, turn to page 7.

## Specification Statement

The lock should be capable of operation on voltages between 12 – 24Vdc and have a current consumption not more than 80mA (holding) @12Vdc and 50mA (holding) @24Vdc. Monitored locks must be capable of monitoring the following functions: Key override, door position / reed switch, selectable hub / Request to exit, & locking bar status. All monitoring outputs must have the ability to be wired independently. All settings – including: fail safe / fail secure, handing, hub selection must be field configurable.

# 3570 Series Electric Mortice Lock

## Ordering Procedure

Sample Part Number 3572ELAM2RSC is made up of several sections. Choose your product by selecting an option from each section.

For example:

Backset	Fixing	Lock Functions	Electric Lock	Safety Function	Sub Function	Handing	Finish
3	5	72	EL	A	M2	R	SC

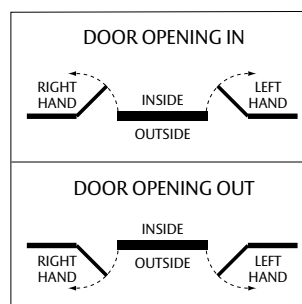
<b>Backset</b>		<b>Lock Functions</b>		<b>Safety Function</b>		<b>Right Handing</b>	
60 mm	3	Primary lock	70	Fail Safe (Power to lock)	A	Right Handing	R
89 mm	4	Vestibule lock	72	Fail Secure (Power to unlock)	E	Left Handing	L
127 mm	5	Combination lock	74				
		Secure Area Rated Lock	79				
<b>Fixing</b>		<b>Electric Lock</b>		<b>Sub Function</b>		<b>Finish</b>	
Standard	5	Electric Lock	EL	Non-monitored lock (0 Cylinders)	N0	Satin Chrome	SC
Securafix®	6			Non-monitored lock (1 Cylinders)	N1	Chrome Plate	CP
				Non-monitored lock (2 Cylinders)	N2	Polished Brass	PB
				Fully monitored lock including KOM (0 Cylinders)	M0		
				Fully monitored lock including KOM (1 Cylinder)	M1		
				Fully monitored lock including KOM (2 cylinders)	M2		

<b>Backset</b>	Nominate backset as required, eg 60mm	3
<b>Fixing</b>	Select the desired fixing method, eg Standard Fixing 35	35
<b>Lock Function</b>	Select function, eg Vestibule Lock	3572
<b>Electrical Variant</b>	Indicate that this is an Electric Lock	3582EL
<b>Safety Function</b>	Select whether lock should be Fail Secure or Fail Safe, eg Fail Safe	3572ELA
<b>Monitoring and Key Override Options</b>	Select monitoring and cylinders to be supplied, eg Monitored Lock with two cylinders	3572ELAM2
<b>Handing</b>	Determine left or right handing, eg Right Handed	3572ELAM2R
<b>Finish</b>	Specify appropriate finish, eg Satin Chrome	3572ELAM2RSC

## Ordering Notes

- 3570 Primary Locks can be set to achieve all lock functions post purchase, and should be the preferred option when ordering.
- Customised locks are available upon request and incur an additional surcharge and 10 day lead time.
- Securafix locks are available in 60mm backset only and are made to order. 10 day lead time.
- See over page for Primary Lock part numbers.

## Handing Chart



# 3570 Series Electric Mortice Lock

## Ordering Notes

- Primary locks can be set post purchase to achieve all desired lock settings e.g. fail safe or fail secure, left hand or right hand, combination lock (locked both sides) or vestibule lock (locked outside & free lever inside)
- All locks are Multi-voltage 12-24Vdc
- 3570 Primary locks (std 60mm backset) are stocked items. All other items are made to order, 10 day lead time.

## Primary Electric Mortice Lock Ordering Procedure

Description - Non-Monitored	Cylinders	Part No
Electric Mortice Lock 3570 Primary Lock 60 mm Backset Non Monitored	No Cylinder	3570ELN0SC
Electric Mortice Lock 3570 Primary Lock 60 mm Backset Non Monitored	1 Cylinder	3570ELN1SC
Electric Mortice Lock 3570 Primary Lock 60 mm Backset Non Monitored	2 Cylinder	3570ELN2SC
Electric Mortice Lock 4570 Primary Lock 89mm Backset Non Monitored	No Cylinder	4570ELN0SC
Electric Mortice Lock 4570 Primary Lock 89 mm Backset Non Monitored	1 Cylinder	4570ELN1SC
Electric Mortice Lock 4570 Primary Lock 89 mm Backset Non Monitored	2 Cylinder	4570ELN2SC
Electric Mortice Lock 5570 Primary Lock 127 mm Backset Non Monitored	No Cylinder	5570ELN0SC
Electric Mortice Lock 5570 Primary Lock 127 mm Backset Non Monitored	1 Cylinder	5570ELN1SC
Electric Mortice Lock 5570 Primary Lock 127 mm Backset Non Monitored	2 Cylinder	5570ELN2SC

Description - Monitored (hub, deadlatch, solenoid, door position, key override monitoring all as standard)	Cylinders	Part No
Electric Mortice Lock 3570 Primary Lock 60 mm Backset Monitored	No Cylinder	3570ELM0SC
Electric Mortice Lock 3570 Primary Lock 60 mm Backset Monitored	1 Cylinder	3570ELM1SC
Electric Mortice Lock 3570 Primary Lock 60 mm Backset Monitored	2 Cylinder	3570ELM2SC
Electric Mortice Lock 4570 Primary Lock 89 mm Backset Monitored	No Cylinder	4570ELM0SC
Electric Mortice Lock 4570 Primary Lock 89 mm Backset Monitored	1 Cylinder	4570ELM1SC
Electric Mortice Lock 4570 Primary Lock 89 mm Backset Monitored	2 Cylinder	4570ELM2SC
Electric Mortice Lock 5570 Primary Lock 127 mm Backset Monitored	No Cylinder	5570ELM0SC
Electric Mortice Lock 5570 Primary Lock 127 mm Backset Monitored	1 Cylinder	5570ELM1SC
Electric Mortice Lock 5570 Primary Lock 127 mm Backset Monitored	2 Cylinder	5570ELM2SC

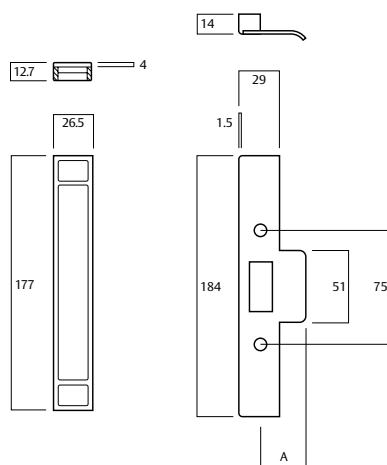


ASSA ABLOY

# 3570 Series Electric Mortice Lock

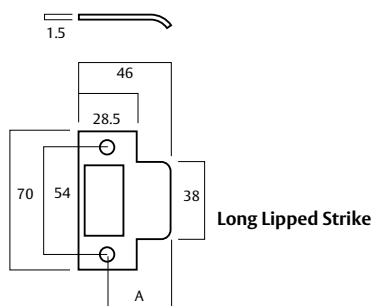
## Accessories - Rebate Kits

Finish	"A"	Part Number
Bright Chrome	32	3570-2905BC
	46	3570-3905BC
Polished Brass	32	3570-2905PB
	46	3570-3905PB
Satin Stainless Steel	32	3570-2905SC
	46	3570-3905SC



## Accessories - Long Lipped Strikes

Finish	"A"	Part Number
Bright Chrome	43.5	3570-5353CP
	47.5	3570-5653CP
Polished Brass	43.5	3570-5353PB
	47.5	3570-5653PB
Satin Stainless Steel	43.5	3570-5253SSS
	47.5	3570-5453SSS



## Accessories Ordering Information

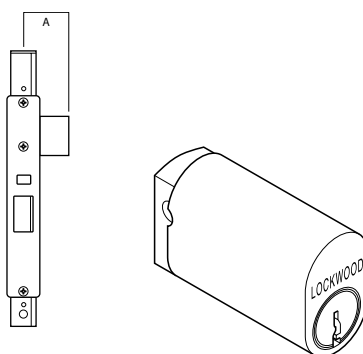
Product Description	Part Number
LED assembly to suit 3570/3580 (suits furniture for monitored locks)	SP572-3129
7.5m extended 12 wire cable	SP3570-1055
9/12 wire adaptor to suit 3570 series electric lock	SP3570-5861
323mm Power Transfer Cable	LC8810
543mm Power Transfer Cable	LC8811

## Extended Cylinders

Extended cylinders should be considered when door thickness exceeds 50 mm or when the lock is mounted off centre in the door edge. A range of cylinders is available to suit various door thicknesses. Refer to ASSA ABLOY Australia Keying and Restricted Price List for further information.

## Extended Cylinders

"A" Cylinder Projection	Cylinder Length	Recommended Door Thickness
41	37	50 to 60
52	48	60 to 84
64	60	84 to 108
80	76	108 to 132
88	84	132 to 156

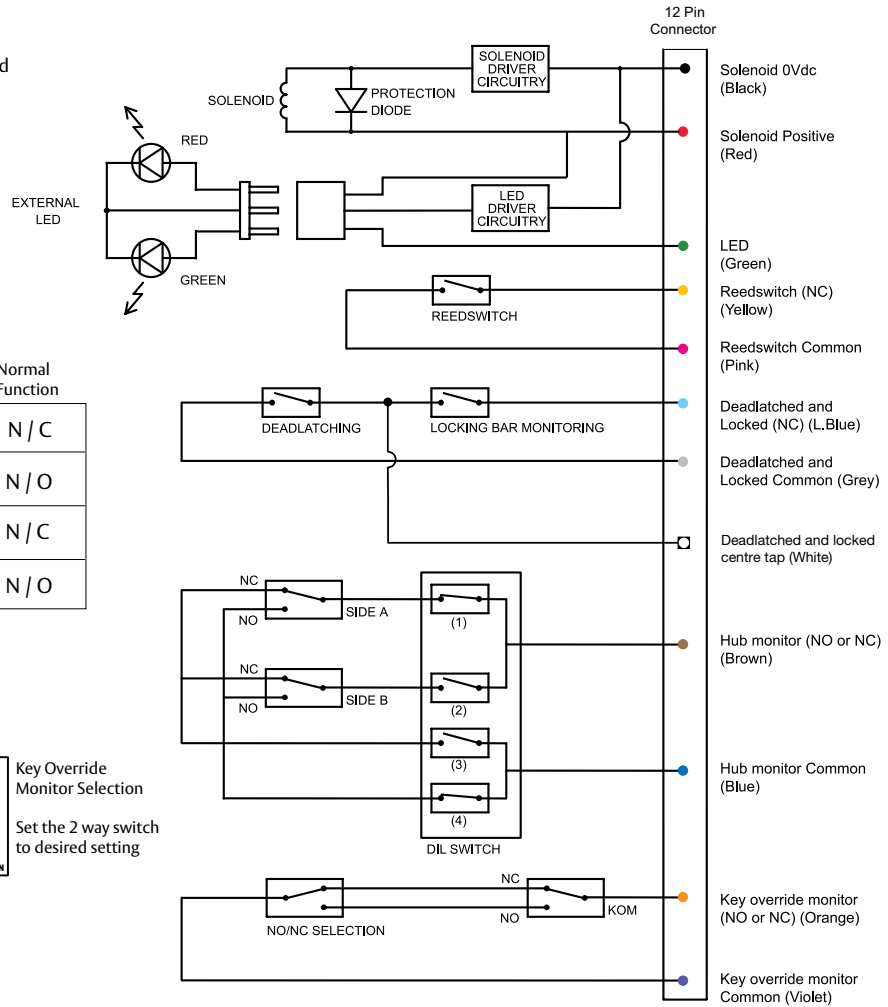


# 3570 Series Electric Mortise Lock

## Electrical Specifications

### Circuit Diagram

**Note:** Diagram depicts fail safe RH opened door, with handle and key in rest state.

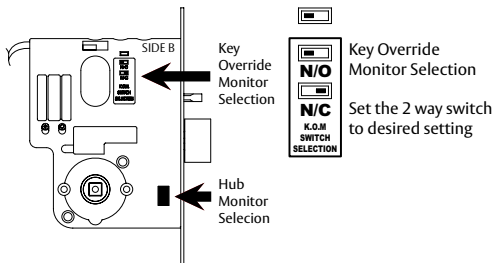


### DIL Switch Settings

#### Hub Monitor

	Switch Number	Lock Side	Normal Function			
	1	2	3	4		
ON	■	■	■	■	A	N / C
OFF	□	□	□	□	A	N / O
ON	■	■	■	□	B	N / C
OFF	□	□	□	■	B	N / O

### Key Override Monitor Selection



## Solenoid Activation

### Operating Voltage:

12 - 24Vdc

### Operating Current:

500mA (max) 80mA holding @ 12Vdc  
275mA (max) 50mA holding @ 24Vdc

For confirmation of the above mentioned operating current, please see installation manual.

### LED Current

Where LEDs are fitted, add 20mA (max) to total operating current.

### Monitoring Circuits

Microswitches: 500mA (max) @ 30Vdc each circuit

Reedswitch: 100mA (max) @ 30Vdc

#### Colour

Black

Red

Green

Yellow

Pink

Light Blue

Grey

White

Brown

Blue

Orange

Violet

#### Function

Solenoid (0Vdc)

Solenoid Positive (12Vdc - 30Vdc)

LED (12Vdc - 30Vdc)

Door closed Reedswitch (NC)

Door closed Reedswitch (common)

Deadlatched and Locked (NC)

Deadlatched and Locked (common)

Deadlatched and Locked centre tap

Hub monitor (NO or NC)

Hub monitor (common)

Key override monitor (NO or NC)

Key override monitor (common)



ASSA ABLOY