

ES150 Series Surface Mounted Electric Strike



The Lockwood Padde Series ES150 is a surface mounted electric strike suitable for use with rim or surface type dead latches. This strike is easy to install and can be simply controlled by a keypad, keyswitch or integrated into any access control system.

ES150 offers high levels of security and features usually provided by more expensive electric locking solutions. The electric strike can be easily installed on steel and wooden door frames. A weather resistant version is also available for exterior applications.

Key Features

- Configure to fail safe or fail secure
- Easy installation suitable for steel and wooden door frames
- Stainless steel striker for extra strength and durability
- Available in 12/24Vdc
- Solenoid rated for continuous use
- IP56 weather resistant version available
- 5 Year Tricare Warranty (Padde Series)

Applications

- Surface or rim mounted applications
- Suitable for use with all access control systems
- Exposed areas

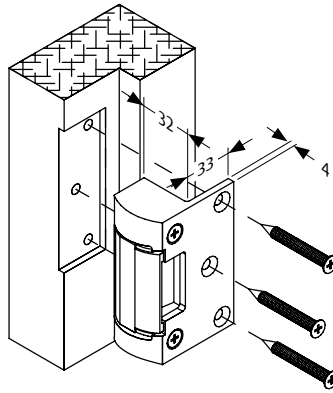
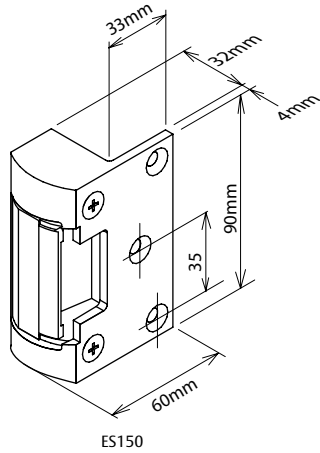
Product Details

| | |
|----------------------|---|
| Voltage | 12Vdc and 24Vdc |
| Current | 250 mA @ 12Vdc - 125mA @ 24Vdc |
| Solenoid | Solenoids rated for continuous use |
| Monitoring | None |
| Holding Force | 680 kg Static Strength Rating |
| Endurance | Cycle tested to 1,000,000 operations |
| Environment | Operational temperature range - 20°C to + 60°C Weather resistant construction Standard. (IP56) |
| Body | Solid Stainless Steel Construction |
| Keeper | Stainless Steel |
| Latch | Suitable for 15mm latchbolt with 3mm door gap |

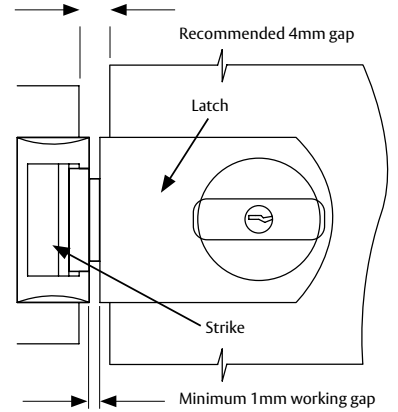
Standards and Compliance

| | |
|---|------------------|
|  | CE Approved |
|  | C-Tick Certified |
| | IP56 Rated |

ES150 Series Surface Mounted Electric Strike



Ensure 1mm Working Gap without Mechanical Interference



Ordering Information

| Part Number | Product Description |
|-------------|----------------------------------|
| ES150 | 12/24Vdc Fail Safe Non-Monitored |

Note: Change from Fail Safe (PTL) to Fail Secure (PTO) as required

Specification Statement

The electric strike must be suitable for surface mount applications for use with rim or surface mount door locks.

Where Power To Lock and Power To Open functions may be required in the same building, an individual strike is interchangeable from either "Power to Lock" or "Power to Open" on site.

The electric strike should not consume current greater than 250 mA @ 12Vdc - 125mA @ 24Vdc. Certifications must include CE and C-Tick.

The strike should be tested to 1 million operations and have a minimum holding force not less than 680kg.