

Z4 and Z8 Double Series Monitored



Lockwood Padde Series Double Series Monitored Electromagnetic Locks, operate with holding forces from 500kg up to 1160kg.

These can also be used for doors that need to be monitored in terms of door position and if the door is locked.

Covering a range of applications the Z4 and Z8 Electromagnets are ideal for applications from cupboard doors through to high use commercial swing doors.

With fixing options including wood, aluminium and steel constructions, as well as glass door applications, the range caters to most electromagnetic needs.

Key Features

- Fail-safe: unlocks when power is removed
- Easy installation: suitable for both new and retrofit usage
- High holding force: refer to the technical data overleaf
- Self-alignment: armature plate pivots to accommodate door drop

- Silent operation: no humming or buzzing
- Dual voltage: site selectable 12 or 24 Vdc
- Monitoring: hall-effect and reed switch monitoring on all models
- Instantaneous release: smart electronics on the Z Series Electromagnets eliminate residual magnetism
- 5 Year Tricare Warranty (Padde Series)

Applications

- Aluminium doors
- Double swing doors
- Access control
- Surface mount for inswing and outswing doors

Monitoring

Hall / Bond Monitoring

This indicates that the lock is powered and that the armature plate is in position and magnetically bonded (it monitors if the magnet is locked)

Reed Switch Monitoring

An integrated reed switch monitors the door position separately (it monitors the position of the door)

Product Details

	Z4 Magnet	Z8 Magnet
Holding Force	500kg-560kg	1100kg-1160kg
Dimensions	(L)476 x (H)48 x (D) 27 mm	(L)532 x (H)72 x (D) 40 mm
Voltage	12Vdc/ 24Vdc ±10%	12Vdc/ 24Vdc ±10%
Current	900mA @ (12Vdc) 450mA @ (24Vdc)	1024mA @ (12Vdc) 512mA @ (24Vdc)
Monitoring	Hall-Effect and Reed Switch	Hall-Effect and Reed Switch
Operating Temperature	-25 to 55 Degrees	-25 to 55 Degrees
Operating Humidity	0-95%	0-95%

Standards and Compliance



Successfully fire rated up to 4 hours on fire door assemblies in accordance with AS1905.1:2005 (Part 1: Fire Resistant Doorsets)



CE Approved



C-Tick Certified

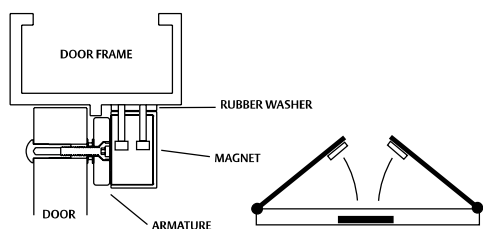
Z4 and Z8 Double Series Monitored



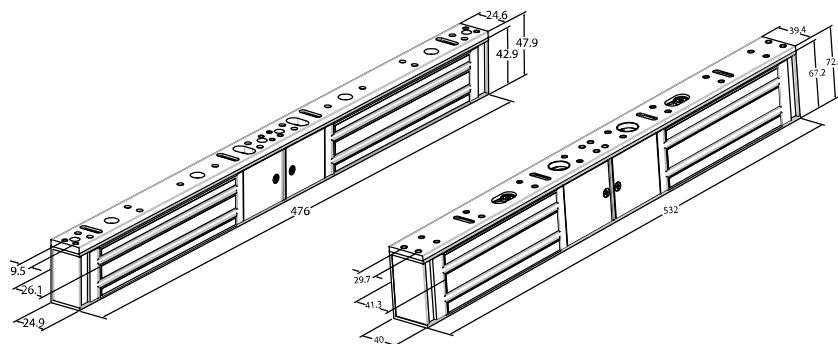
Z4 Double Electromagnetic Lock - Monitored



Z8 Double Electromagnetic Lock - Monitored



Out swinging door using the standard mounting plate.



Z4 Electromagnetic Lock

Z8 Electromagnetic Lock

Ordering Information

Part Number	Product Description
EMZ4-DM	EMZ4 E/Magnet 12/24Vdc Double Monitored
EMZ8-DM	EMZ8 E/Mag 12/24Vdc Double Monitored
Accessories	
EMZ4B-DLZ	EMZ4 Bracket Double L & Z
EMZ4B-AM	EMZ4 Bracket Armature Monitored W/Magnet
EMZ4B-DMP	EMZ4 Bracket Double Mounting Plate
EMZ4SP-SC	EMZ4 Spare Part Screw Kit
EMZ4SP-PCBM	EMZ4 Spare Part Pcb Monitored
EMZ8B-DLZ	EMZ8 Bracket Double L & Z
EMZ8B-AM	EMZ8 Bracket Armature Monitored W/Magnet
EMZ8B-DMP	EMZ8 Bracket Double Mounting Plate
EMZ8SP-SC	EMZ8 Spare Part Screw Kit
EMZ8SP-PCBM	EMZ8 Spare Pcb Monitored

Specification Statement

The Double Series Electromagnetic Lock should be constructed in an aluminium base with heavy duty electromagnet. The range only operates in fail safe mode and relies on a secondary lock or battery backup system. The lock needs to be equipped with "smart electronics" that have zero residual magnetism (instantaneous release). This is crucial for correct operation.