

CTX530 suits 60mm backset latch without cylinder

**PACK CONTENTS**

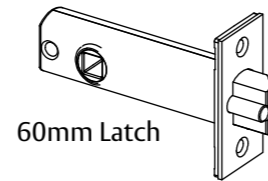
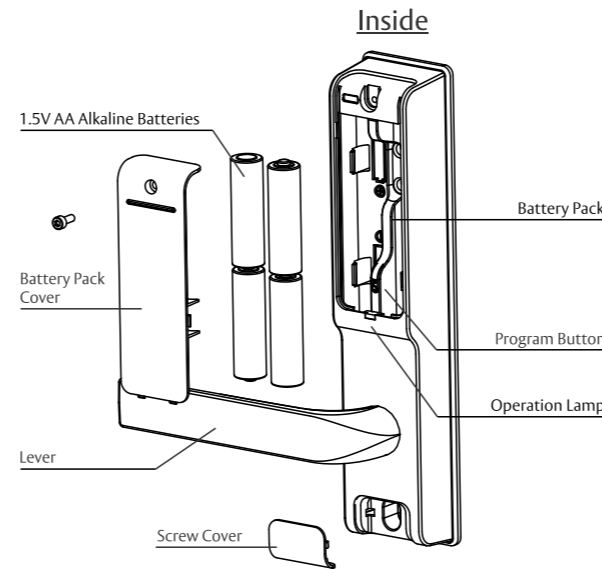
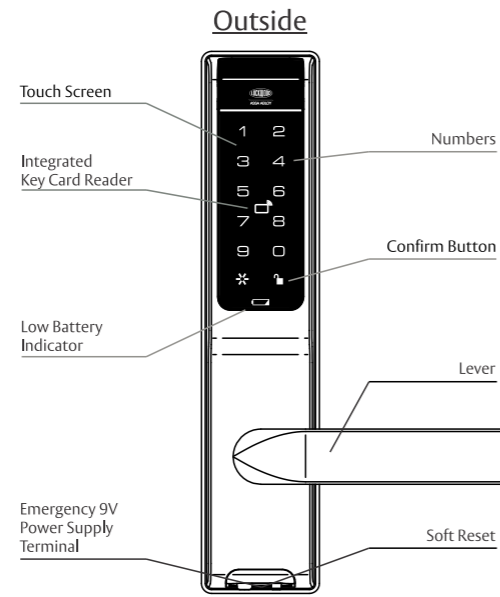
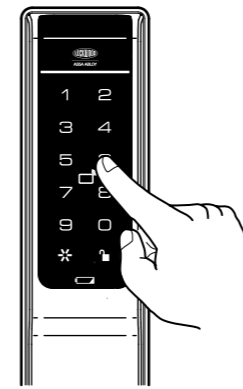
- External Electronic Lockset Body
- Internal Electronic Lockset Body
- External and Internal Rubber Gaskets
- Latch
- Lower Internal Screw Cover
- RFID Cards x 2
- AA Batteries x 4
- Long Mounting Screws
- Hexhead Battery Cover Screw
- Allen key
- Cylinder extension kit - Cylinder versions only
- Spindle and Spring Pack
- Strike
- Mounting Template
- Cortex User Guide

**TOOLS REQUIRED**

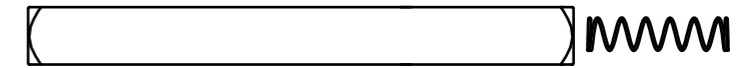
- Electric drill
- Ø22 and Ø10mm Drill or Spade bit
- Ø28mm Hole saw
- Phillips Head screwdriver
- Flat Blade screwdriver

**Ensure all necessary safety precautions are taken when installing this lockset.**

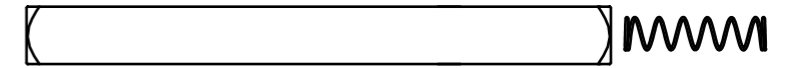
Refer to CORTEX USER GUIDE™ for lockset programming and operation



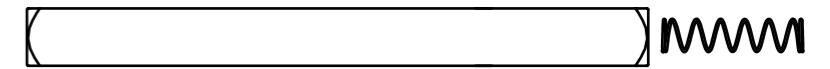
**SPINDLE SELECTION**



35 - 40mm DOOR THICKNESS



40 - 45mm DOOR THICKNESS

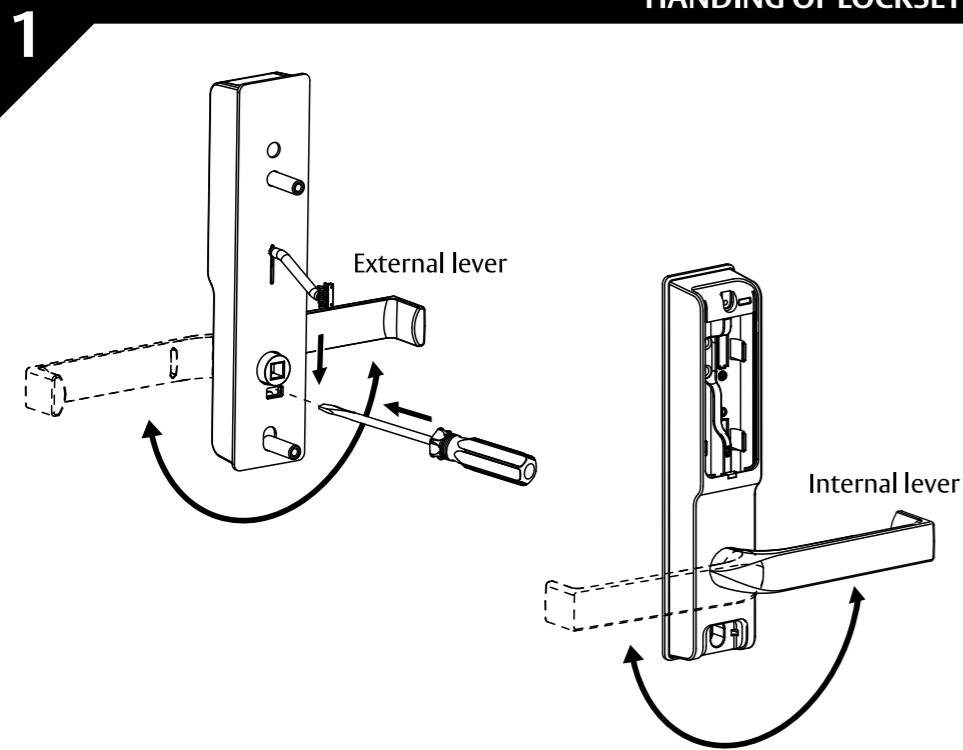


45 - 50mm DOOR THICKNESS

Select the correct spindle length to suit your door thickness.

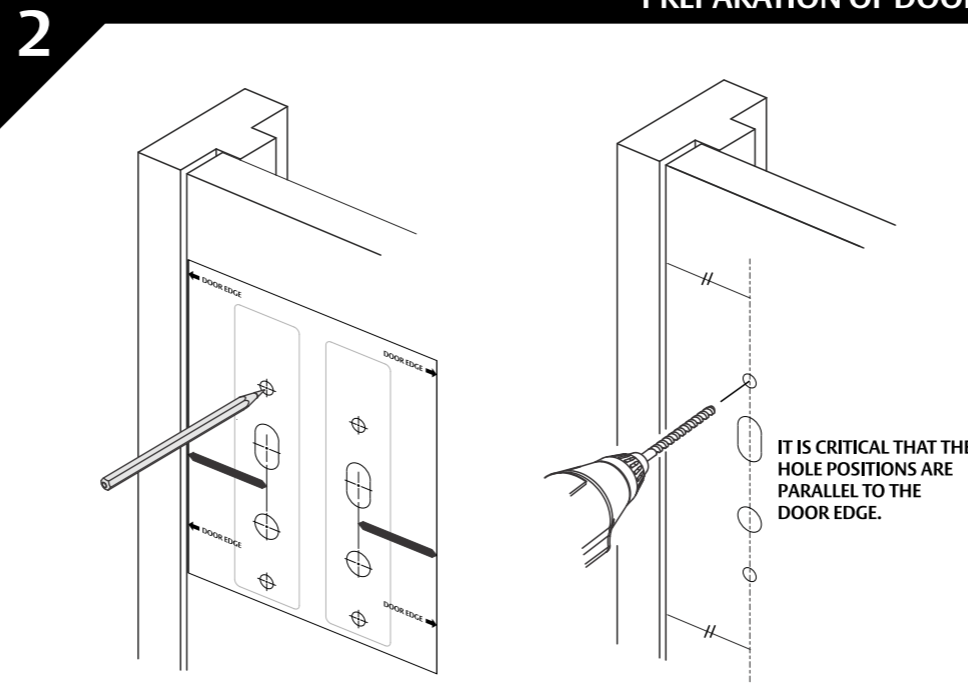
**IMPORTANT - Only use the spindles supplied with the CORTEX™.**

**HANDING OF LOCKSET**



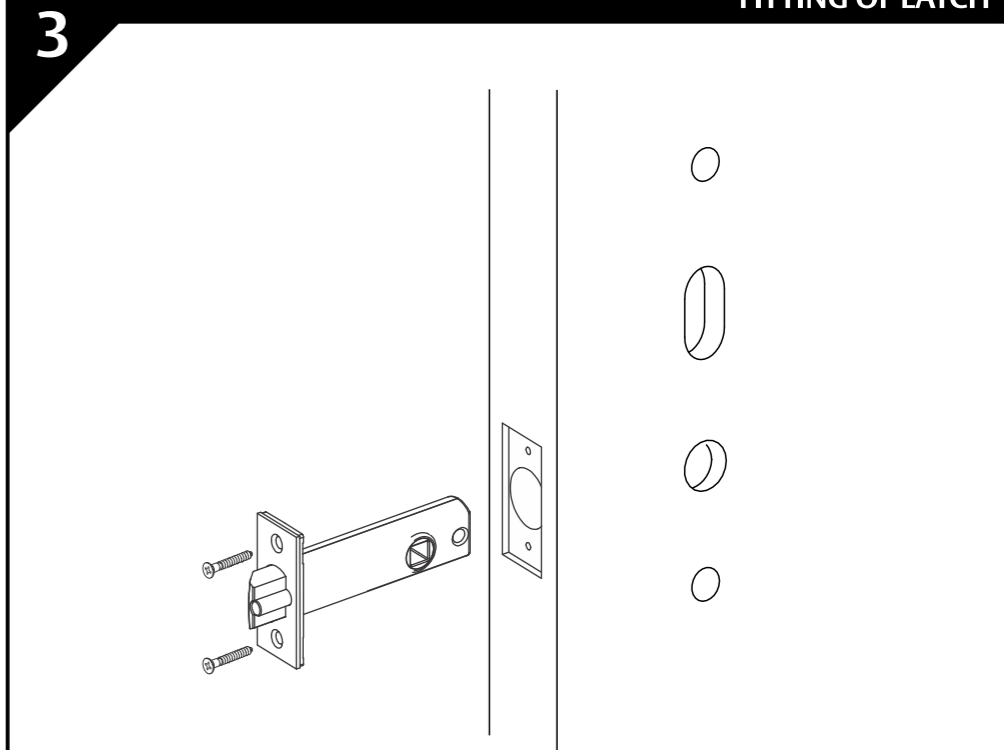
- For External lever - Insert flat blade screwdriver in slot as shown. Engage with internal tab and push down. Rotate lever to required position
- For Internal lever - Rotate lever to required position.

**PREPARATION OF DOOR**

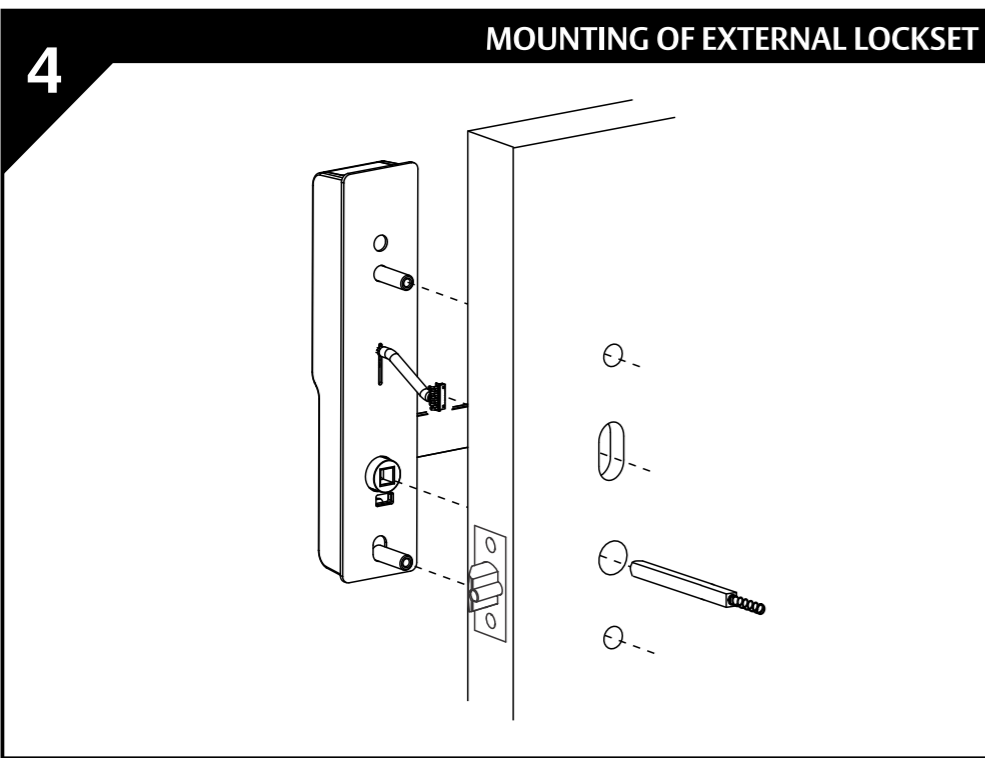


- **IMPORTANT - Firstly, for the prepare the door for the latch.**
- Then position the Cortex template on the door and prepare door for the lockset.

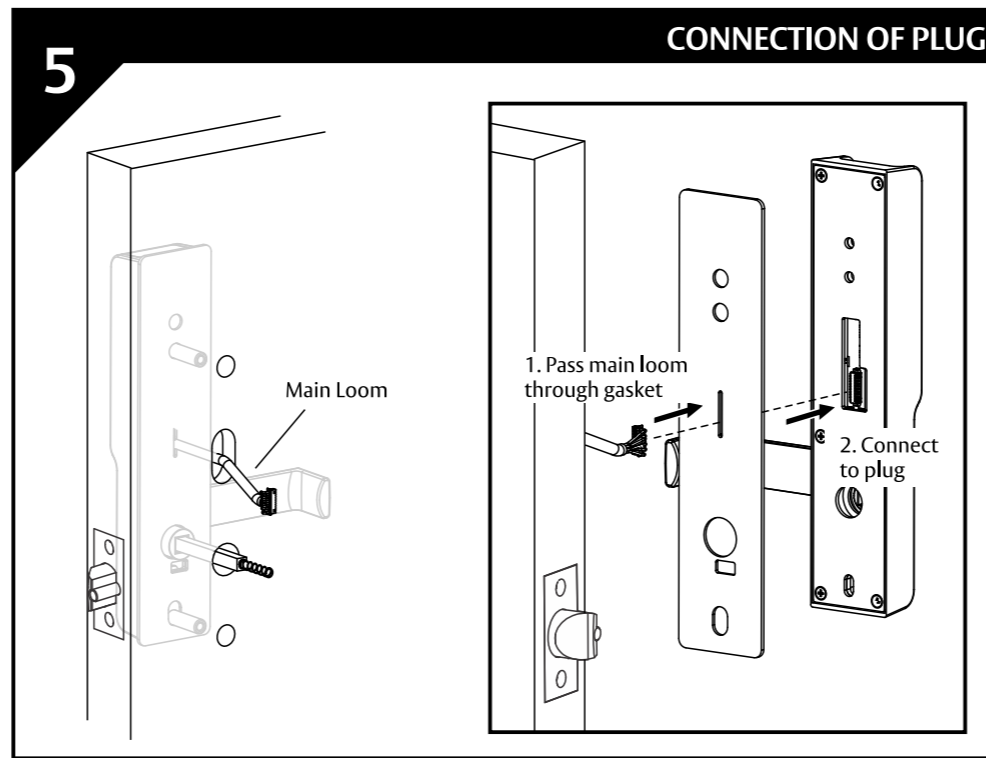
**FITTING OF LATCH**



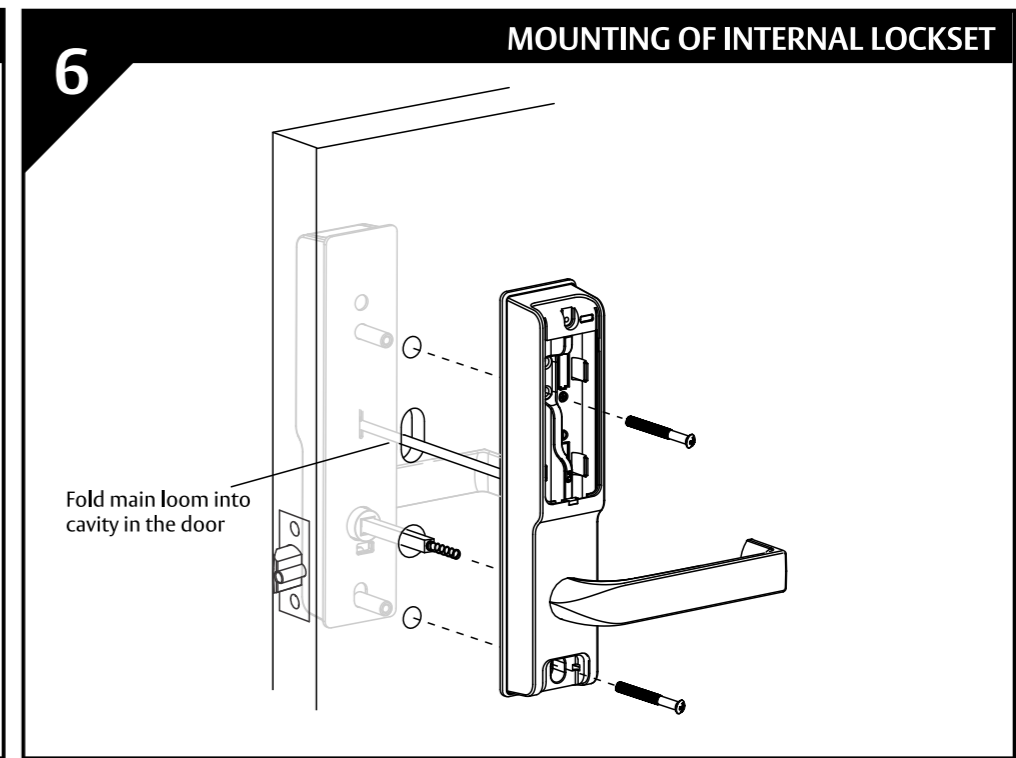
- Install chosen latch.



- Assemble External Spindle into Lever Hub.
- Insert loom completely through door and insert mounting posts into the required holes.
- Engage spindle into latch. **Ensure Spindle and hub are aligned with the latch.**



- With the external lockset on the door, pass the Main Loom through the slot in the rubber gasket. Assistance may be required to ensure external lockset is supported to the door in this process.
- Plug the Main Loom into main plug on the internal lockset. **Only the Main Loom is required.**



- Bring the internal lockset to the door and engage the spindle in the lever.
- Using the supplied long mounting screws, secure the lockset to the door. Ensure you use the correct mounting hole position.

