

ES150 Series Surface Mounted Electric Strike

General Description

ES150 is a surface mounted electric strike suitable for use with rim or surface type dead latches. This strike is easy to install and can be simply controlled by a keypad, keyswitch or integrated into any access control system.

ES150 offers high levels of security and features usually provided by more expensive electric locking solutions. The electric strike can be easily installed on steel and wooden door frames.

Key Features

- Fail safe/fail secure changeable on site
- Easy installation suitable for steel and wooden door frames
- Stainless steel striker for extra strength and durability
- Multi Voltage 12Vdc and 24Vdc
- Solenoid rated for continuous use
- IP56 weather resistant
- Australian designed
- **TRIGARE**® 5 Year Warranty


Applications

- Surface or rim mounted applications
- Suitable for use with all access control systems
- Exposed areas
- Exterior Applications



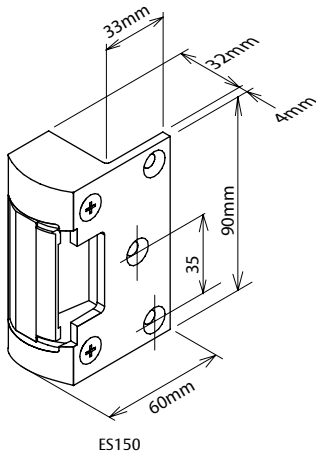
Standards and Compliance

 CE Approved

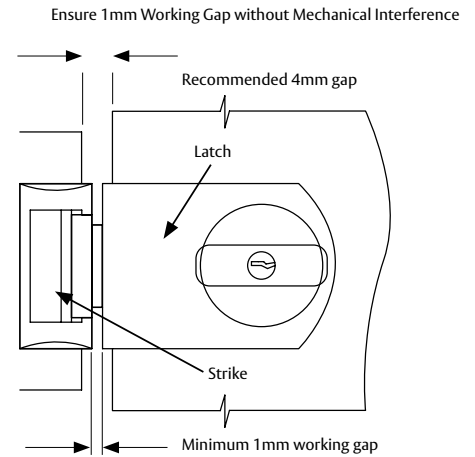
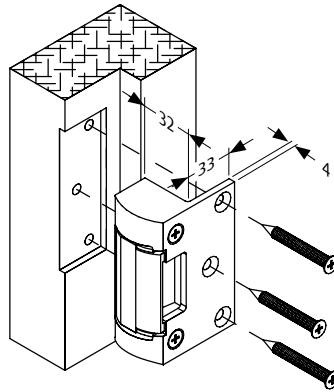
 C-Tick Certified

IP56 Rated

ES150 Series Surface Mounted Electric Strike



ES150



ES150 Technical Information

Voltage	12VDC and 24Vdc
Current	250mA @12Vdc / 125mA @ 24VDC
Solenoid	Solenoids rated for continuous use
Monitoring	None
Holding Force	680kg Static Strength Rating
Endurance	Cycle tested to 1,000,000 operations
Environment	Operational temperature range - 20°C to +60°C Weather resistant (IP56)
Body	Solid Stainless Steel Construction
Keeper	Stainless Steel

Ordering Information

Product Description	Part Number
ES151 12/24Vdc PTL W/Res	110151-010M
ES152 12/24Vdc PTO W/Res	110152-010M

Abbreviation Key	
PTO	Power to Open (Fail Secure)
PTL	Power to Lock (Fail Safe)
W/RES	Weather Resistant
A-Type	Short style face plate with round corners
H-Type	Long style face plate with square corners
H/RND	Long style face plate with round corners (Accessory)
LIPLESS	No Lip on the Lock body
S/STEEL	Stainless Steel
F/PLATE	Face Plate

Specification Statement

The electric strike must be suitable for surface mount applications for use with rim or surface mount door locks.

Where Power To Lock and Power To Open functions may be required in the same building, an individual strike is interchangeable from either "Power to Lock" or "Power to Open" on site.

The electric strike should not consume current greater than 250mA @ 12Vdc / 125mA @ 24Vdc. Certifications must include CE and C-Tick.

The strike should be tested to 1 million operations and have a minimum holding force not less than 680kg.