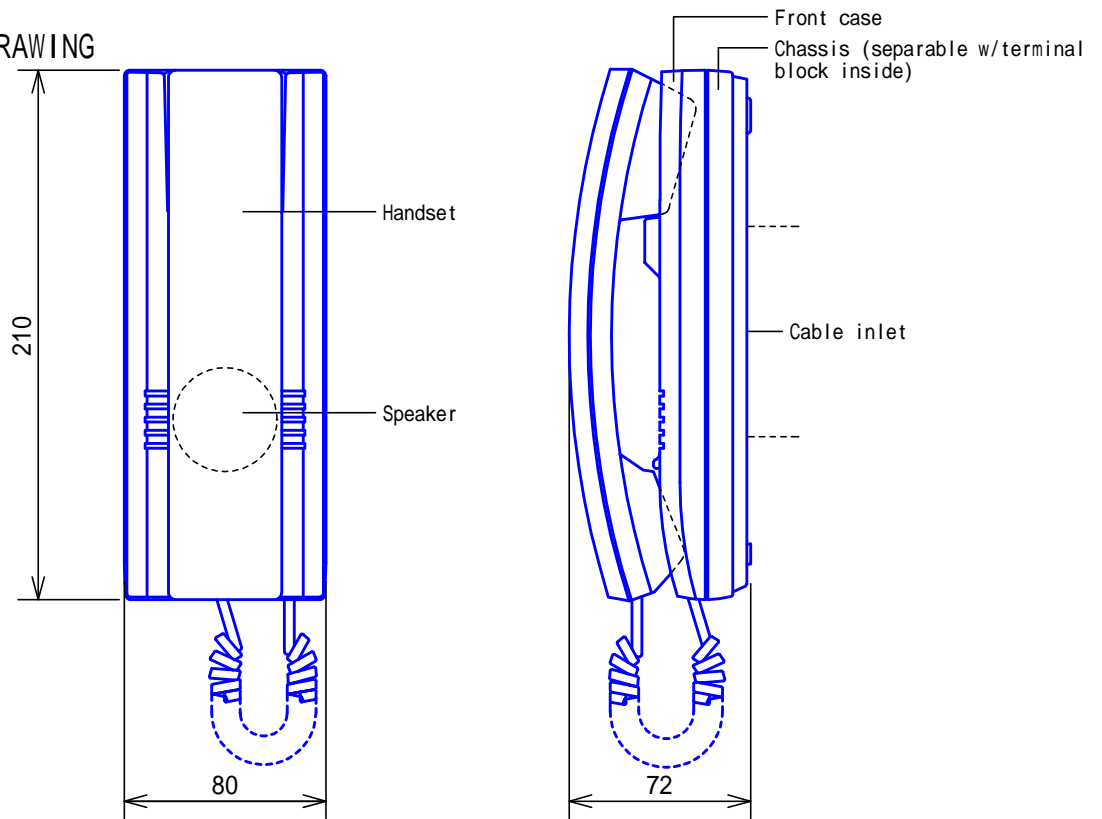
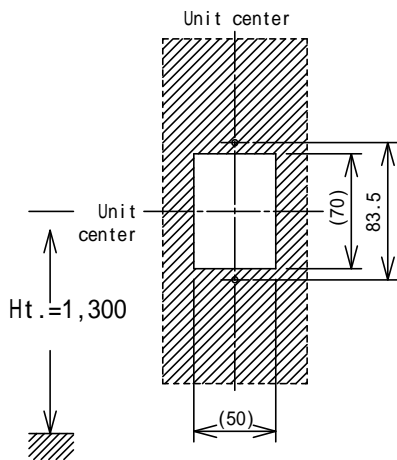


PRODUCT DRAWING

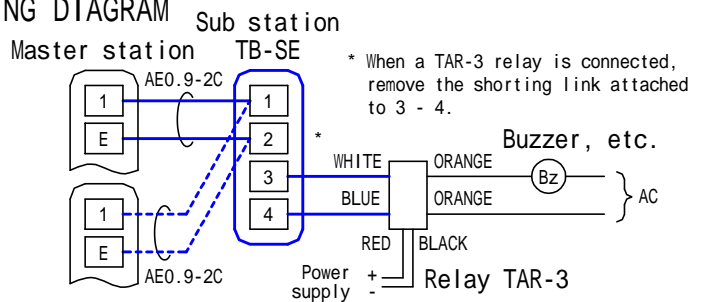


MOUNTING



\* 50(W)x70(H): Opening cut out on the wall

WIRING DIAGRAM



For two-TC-M master system, run 2-wire cable individually.

RESTRICTIONS

TB-SE is compatible with Master stations, either TB-M or TC-M of Internal telephone system.  
When placed on desk-top, reversely attach the handset cradle.

FUNCTIONS

Simply lift handset to ring TC-M Master station, and communicate after Master station replies.  
Using a Relay(TAR-3), TB-SE is called by external signaling device, buzzer, etc. as well as an ordinary call tone.

SPECIFICATIONS

Power source	Supplied from TC-M Master station
Type of communication	Handset simultaneous communication
Call tone	Electronic tremolo tone(w/volume invariable)
Mounting	Wall-mount or desk-mount use
Electrical box	Single-gang box
Housing	ABS plastic
Weight	410g (approx.)
Unit color	Snow white(5Y9.3/0.1 Munsell Approximation)

DESCRIPTION	FIG. NAME	UNIT	DATE
SUB STATION	PRODUCT/SPEC./WIRING/RESTR./FCN.	mm	21 March, 2002
MODEL NO.	FIG.NO.	PAGE	REVISION
TB-SE	57158311-1-1	1/1	1

**AIPHONE**