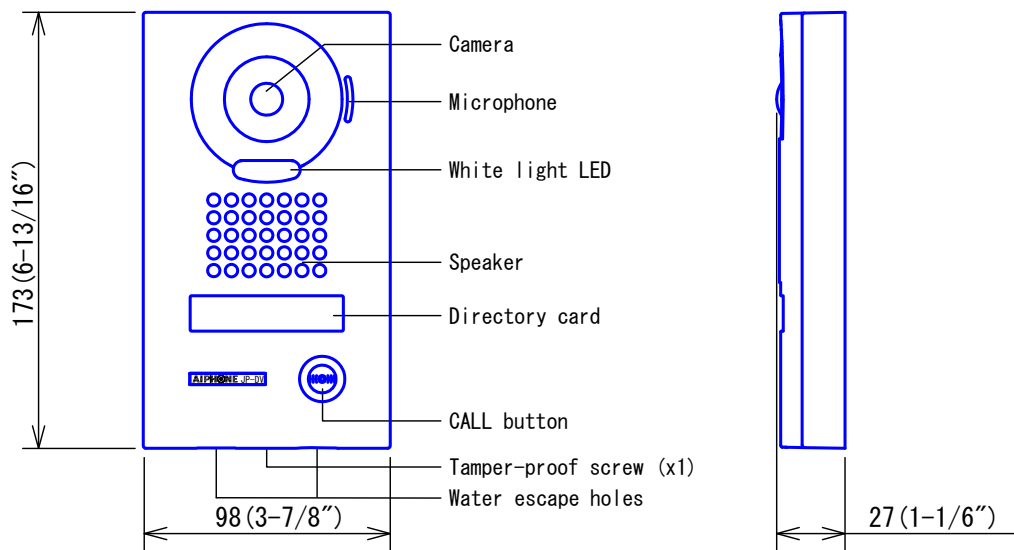
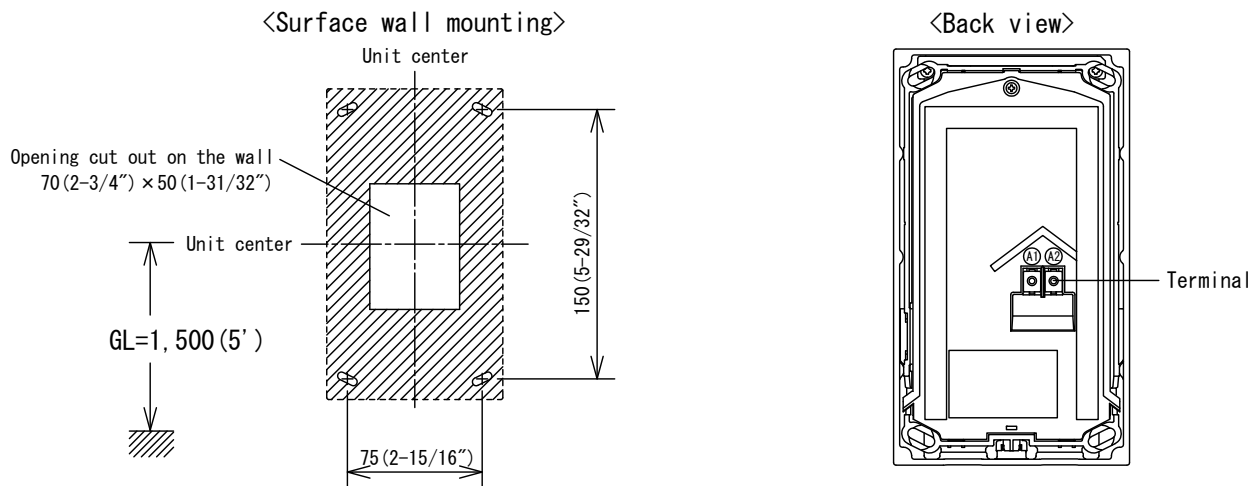


■ PRODUCT DRAWING



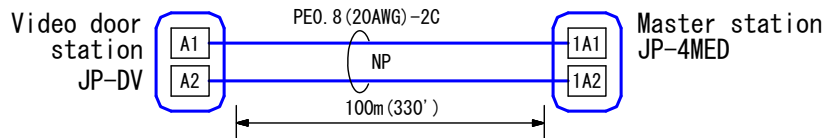
● MOUNTING



■ SPECIFICATIONS

Power source	Supplied from Master station		
Type of communication	Open voice hands-free communication		
Camera	1/4 inch color CMOS		
Minimum illumination	5 Lux		
Camera angle	Wide: 170° (approx.) (Horizontal)		
Ambient temperature	-10~ 60°C (+14° F - +140° F)		
Mounting	Surface wall mount (Directly to wall or electrical box)		
Electrical box	Single-gang box		
Housing	Front panel: Zinc diecasting		
Weight	650g (approx.) (1.43lbs.)		
Unit color	Front panel: Solid silver		
IP rating	IP54		
IK rating	IK08		
DESCRIPTION VIDEO DOOR STATION (Color, Vandal-resistant)	FIG. NAME PRODUCT/SPECIFICATIONS	UNIT mm	DATE 6 October, 2014
MODEL NO. JP-DV	FIG. NO. 59734-1-3	PAGE 1/3	REVISION 1 AIPHONE

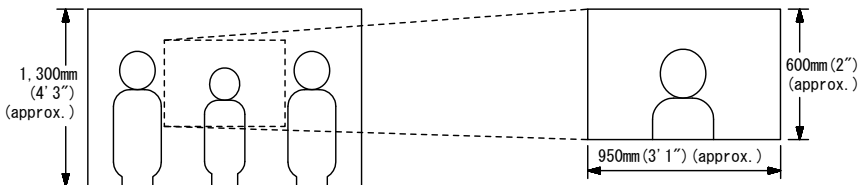
■ WIRING DIAGRAM



■ IMAGE VIEW AREA & MOUNTING HEIGHT

● Wide

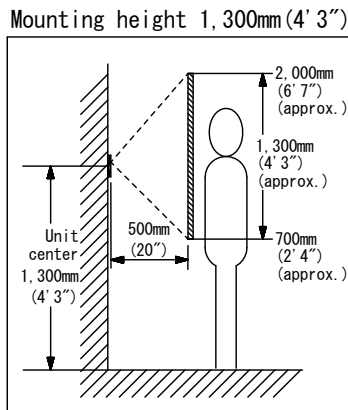
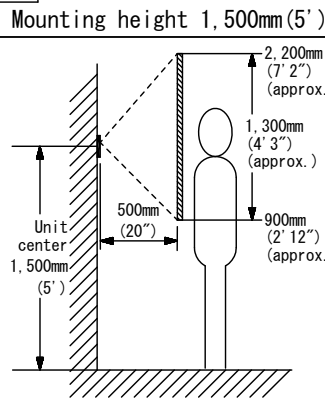
● Zoom



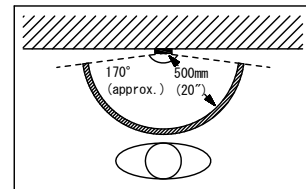
- Objects appear smaller due to greater distortion in the surrounding sections compared to the central section, but a wider area is displayed.
- Image view area depends on the camera zoom position.

● Wide

Vertical



Horizontal

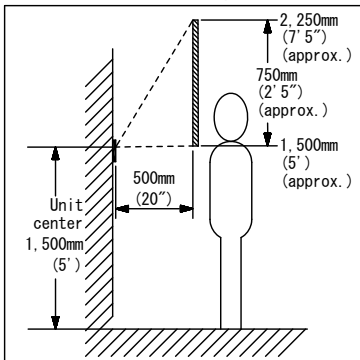


- ◆ An area over a range of approx. 170° in a 500mm (20") radius from the camera displays. (The display range is a rough estimation and may change due to the installation environment.)

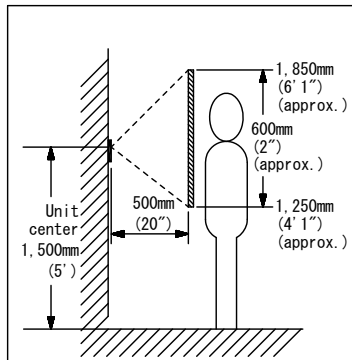
● Zoom (Mounting height: 1,500mm (5'))

Vertical

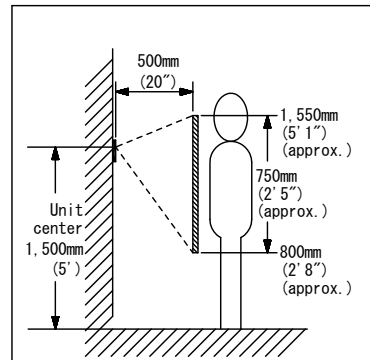
Zoom <top>



Zoom <center>

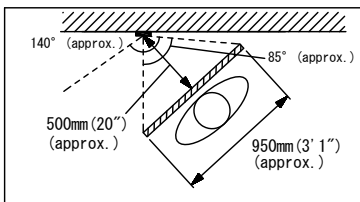


Zoom <bottom>

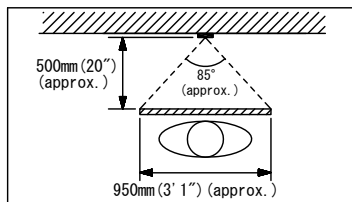


Horizontal

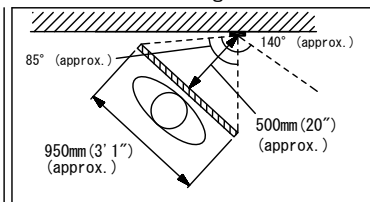
Zoom <left>



Zoom <center>



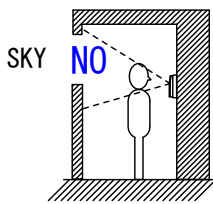
Zoom <right>



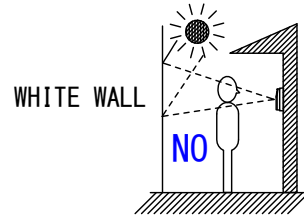
DESCRIPTION VIDEO DOOR STATION	(Color, Vandal-resistant)	FIG. NAME WIRING DIAGRAM/IMAGE	UNIT mm	DATE 6 October, 2014
MODEL NO. JP-DV		FIG. NO. 59734-2-3	PAGE 2/3	REVISION 1
				AIPHONE

■ RESTRICTIONS

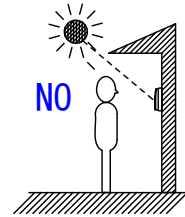
- Do not cover the water escape holes with caulking seals.
- JP-DV door station is exclusively used with JP Series.
- Avoid to install JP-DV in the following locations;



At the Entrance where background is sky in upper floors of Condominiums, etc.



The background of the standing caller's is white wall.



Where the standing location is strongly sunlit.

■ FUNCTIONS

- Initiating a call to and entering communication with Master station

DESCRIPTION VIDEO DOOR STATION	(Color, Vandal-resistant)	FIG. NAME RESTRICTIONS/FUNCTIONS	UNIT mm	DATE 6 October, 2014
MODEL NO. JP-DV		FIG. NO. 59734-3-3	PAGE 3/3	REVISION 1
				AIPHONE