

Video Multi-Tenant System

Control units



GT-BC
Bus control unit



GT-VBC
Video bus control unit,
expander video control

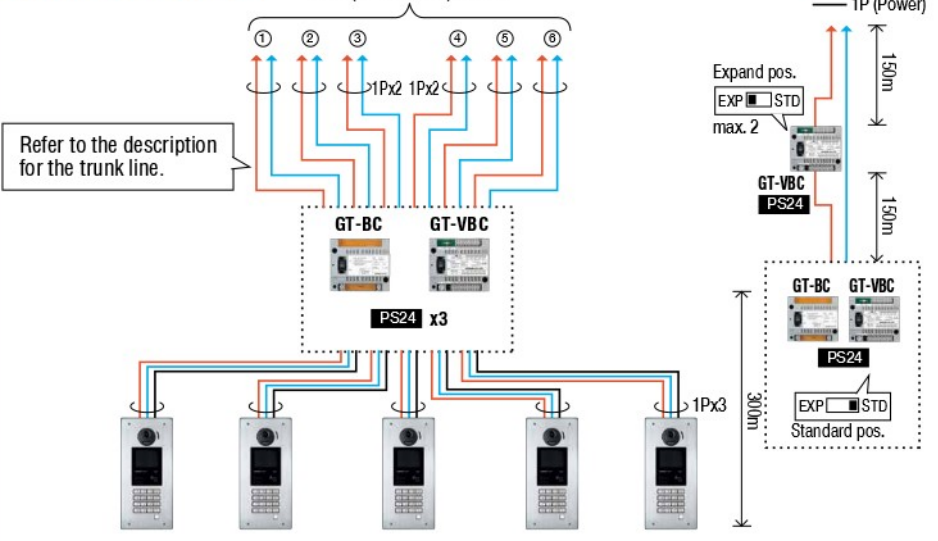


GT-4Z
4-way video
junction unit

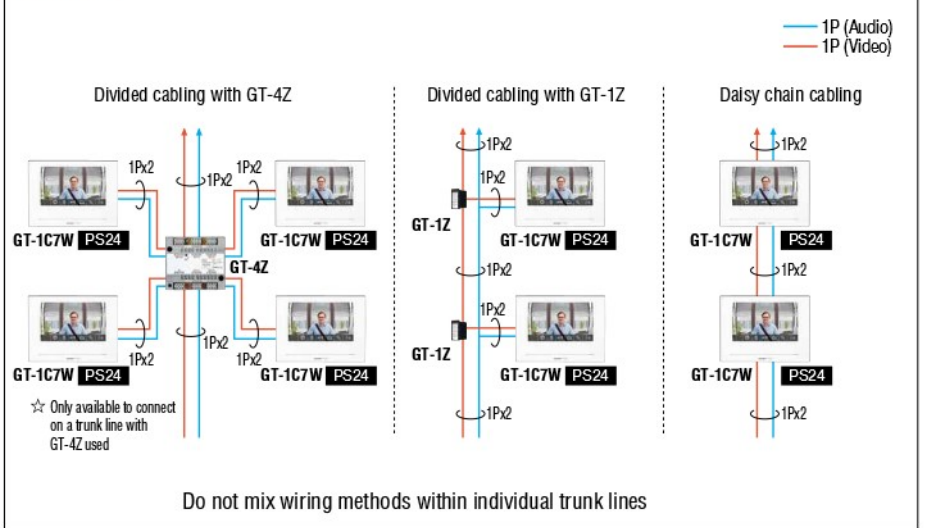


GT-1Z
Video 1-zone divider

System layout example



Trunk line



Wire type

AIPHONE approved product wire: AE7090220B, AE7090220G or 2-conductor cables solid copper & non-braided, polyethylene insulation, 0.65mm ~ 1.0mm dia.

Wiring distance

| | Distance (Diameter of wires) |
|--------------------------------------------------------|--------------------------------------------------------------------|
| GT-BC, GT-VBC to Farthest Entrance station | 300m(0.8mmø) |
| GT-BC, GT-VBC to Farthest Video tenant station | 150m(0.8mmø) Expandable 150m with additional GT-VBC & Power supply |
| GT-BC, GT-VBC to Farthest Audio tenant station | 300m(0.8mmø) |
| GT-BC, GT-VBC to each Power supply | 5m(0.8mmø) |
| Accumulated Audio lines (R1, R2) Total wiring distance | 2,500m(0.8mmø) |

Specifications (GT-BC, GT-VBC)

| | |
|--------------|---------------------------------------------------------------|
| Power source | 24V DC, supplied from, PS-2420S, 2420UL, 2420BF, 2420DM, 2420 |
| Consumption | 900mA. |
| Wiring | Common single-pair cable |
| Housing | Fire-retardant ABS plastic |

Specifications (GT-4Z)

| | |
|----------|-------------------------------|
| Wiring | Common two single-pair cables |
| Material | Fire-retardant ABS plastic |

Specifications (GT-1Z)

| | |
|----------|------------------------------|
| Wiring | Common single-pair cable |
| Material | Self-extinguishing ABS resin |

Unit dimensions

