

- 170° angle wide view camera
- Audio & visual guidance to provide visitors status and operation assistance
- Search names and numbers using the keypad
- Custom programmable welcome messages can be displayed
- 9 languages (English, French, German, Spanish, Dutch, Italian, Norwegian, Turkish and Finnish) are available for messages on Guidance display
- 6 languages (English, French, German, Spanish, Dutch and Norwegian) are available for audio guidance
- White light LED illuminates automatically in low-light conditions

Front frame & back box



- GT-4F**
4-module front frame
- GF-3F**
3-module front frame
- GF-2F**
2-module front frame

- GT-4B**
4-module back box
- GF-3B**
3-module back box
- GF-2B**
2-module back box

Call switch Module



GF-1P
1-call panel



GF-2P
2-call panel



GF-3P
3-call panel



GF-4P
4-call panel



GT-SW
Call switch module

10-key module



GF-10KP
10-key module panel



GT-10K
10-key module

Option



GF-AP
Address module panel



GT-AD
Address module



GF-BP
Blank panel



GT-AC
Access control keypad module



GT-nH
Rain hood



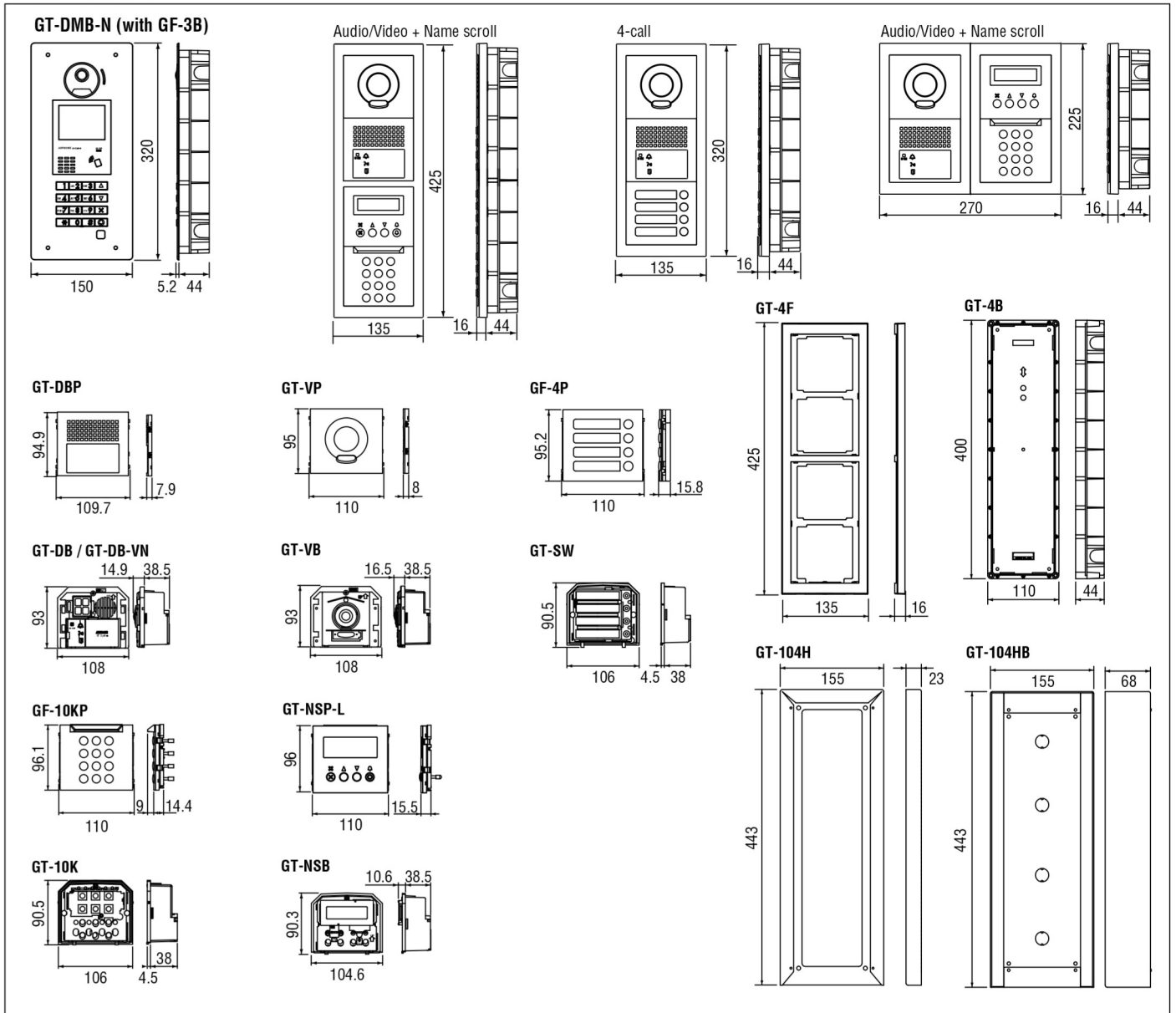
GT-nHB
Hooded surface-mount box
GF-nBA
Surface-mount box

Specifications (GT-SW,GT-10K,GT-AD)

Lighting	Yellow LED
Material	Fire-retardant ABS plastic

Video Multi-Tenant System

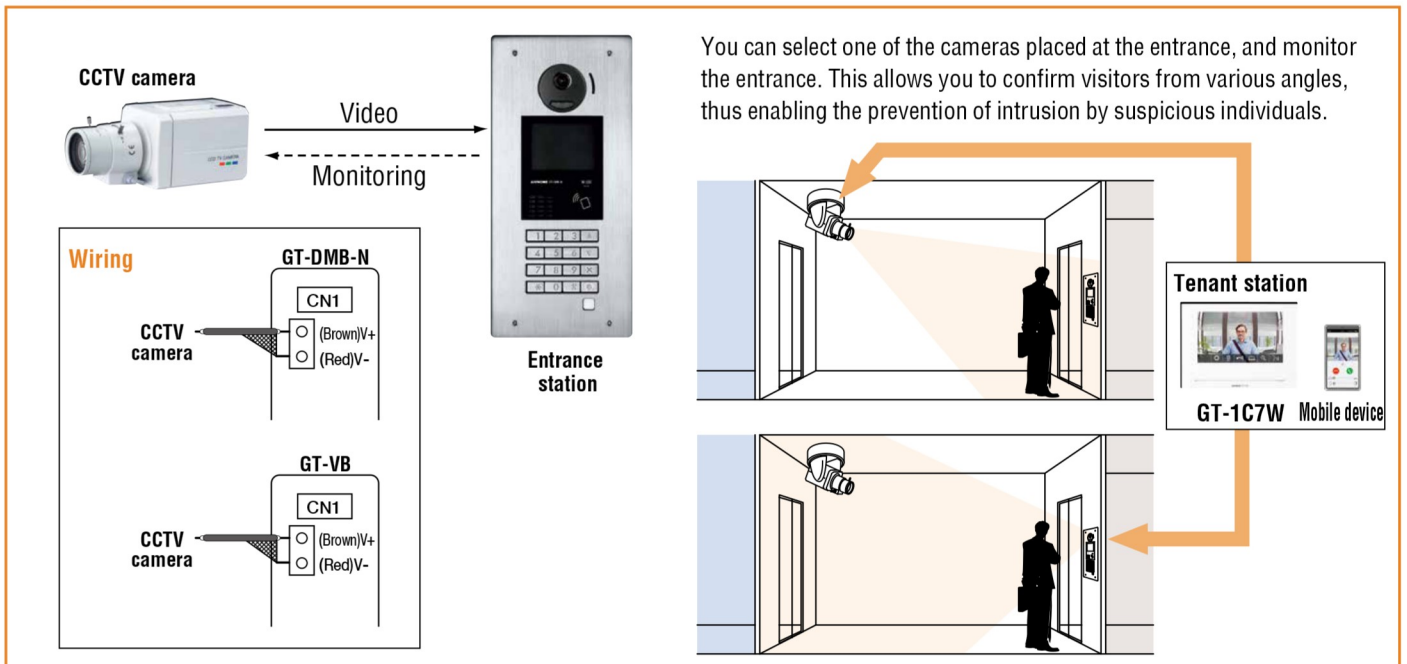
Unit dimensions



IXG

GT

Security camera

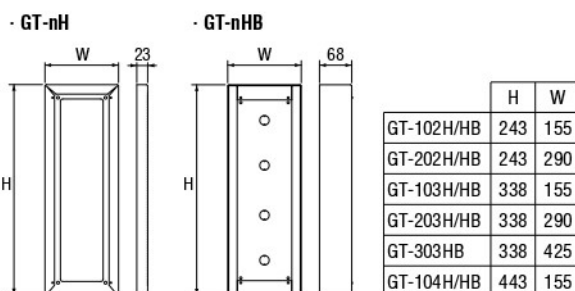
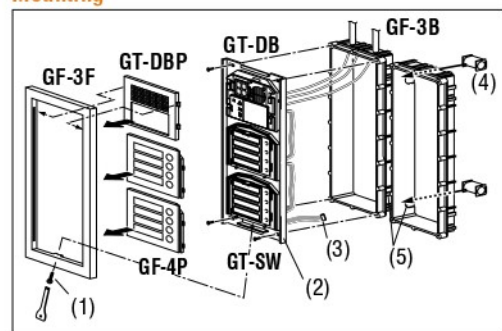


Entrance station components

Number of call buttons	4	8	12	16	20	24	25-48	GT-NSB, GT-10K
(1) GT-VB & GT-VP	1	1	1	1	1	1	1	1
(2) GT-DB(-VN) & GT-DBP	1	1	1	1	1	1	1	1
(3) GT-SW & GF-4P	1	2	3	4	5	6	6	1*
(4) GF-3F & GF-3B	1	—	2	2	—	3	—	—
(5) GT-4F & GT-4B	—	1	—	—	2	—	—	1
(6) GF-BP	—	—	—	—	—	1	—	—
GT-AD & GF-AP	—	—	1	—	1	—	—	—
(7) GT-NSB & GT-NSP-L	—	—	—	—	—	—	—	1
GT-10K & GF-10KP	—	—	—	—	—	—	—	1

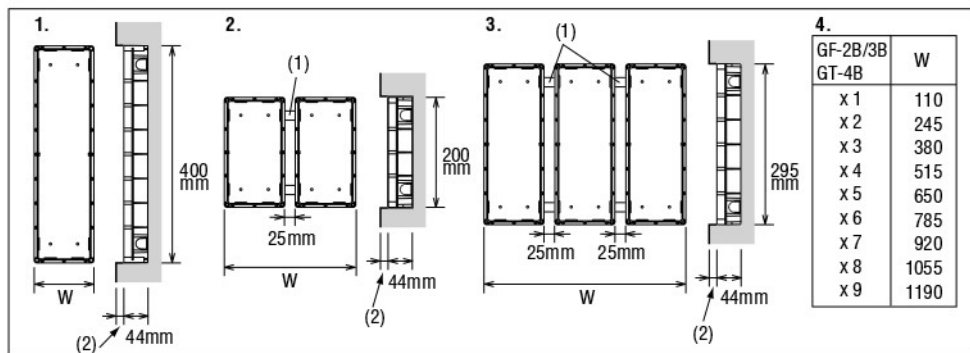
(1) Camera (2) Audio (3) Call switch (4) 3-module Front frame (5) 4-module Front frame (6) Option (7) Digital name scroll * For the GT-SW, only one module can be connected (max. 4 buttons).

Mounting



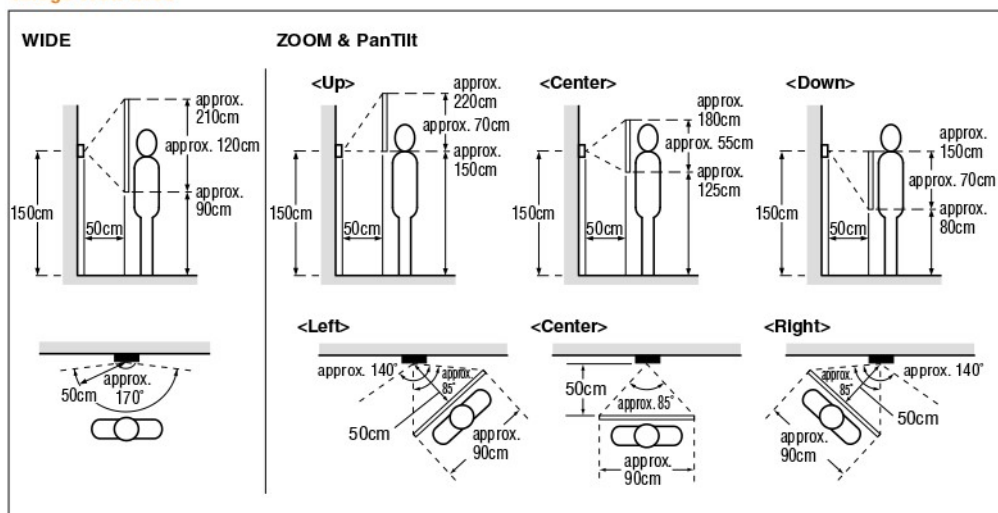
(1) Tamper-proof screw & screwdriver (supplied with GT-BC) (2) Module-mounting bracket (supplied with GF-3F) (3) Internal wiring connector (4) Joint pipe(x2) (5) Cut out openings in advance.

Back box



- One 4-module back box
 - Two 2-module back boxes
 - Three 3-module back boxes
 - Back box total width (mm)
- (1) Joint pipe(x2)
(2) Do not recess back box more than 15mm.

Image view area



Interconnecting Modules with Plug-in Connectors

