

KB & KC Series
30° ANGLE BOX

Model: **KAW-D**

INSTALLATION MANUAL

Package Contents

- 30° Angle Box KAW-D
- Packet of screws
- Installation Manual

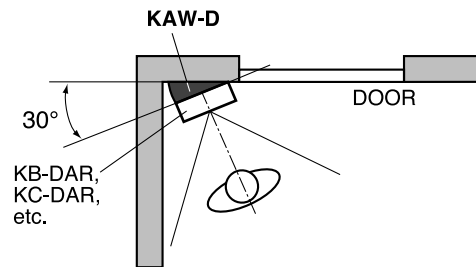
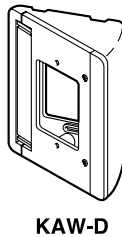
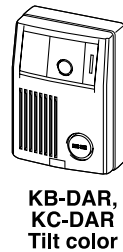
1 DESCRIPTION

KAW-D is a 30° Angle Box for mounting the Aiphone color video door station at an entry requiring the camera to be angled for a better view of the visitor. KAW-D can be inverted to mount on either side of the doorway.

KC-DAR for KC-1MRD & KC-1GRD

KB-DAR for KB-3MRD

Please note that other fixed camera door stations (single-gang) can also be mounted on the KAW-D (sizes vary slightly).



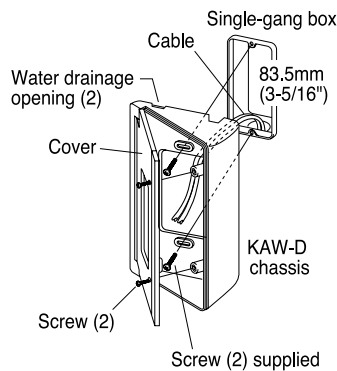
2 MOUNTING

Single-gang or surface-wall mounting

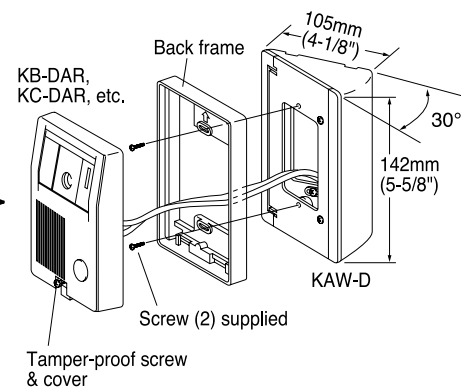
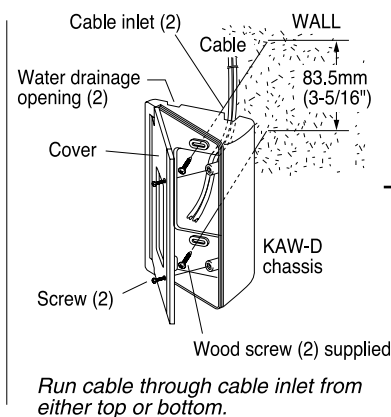
1. Loosen 2 screws and open the cover of KAW-D.
2. Mount KAW-D box on single-gang box or on wall.
3. Reattach the cover to KAW-D chassis.
4. Mount back frame of door station on KAW-D cover.
5. Connect door station and mount it on back frame.

* See the Manual furnished with video door station.

• Single-gang mounting



• Surface-wall mounting



- Do not make wiring connections while the inside station is powered, as internal damage may result.
- On top or bottom of KAW-D, water drainage opening is provided. Do not apply caulking seal on bottom of KAW-D so inside moisture can dissipate through the openings.
- KAW-D: Made of ACS plastic. Gray color. Weighs approx. 120g (0.27 lbs.)