

# DH-IPC-HDBW7442H-ZFR

## 4MP AI IR Dome Network Camera



- 4MP, 1/1.8" CMOS image sensor, low illuminance, high image definition
- Max outputs 4MP (2688×1520) @50 fps/60 fps
- H.264&H.265 coding, high compression ration · Wide dynamic, day/night, 3D noise reduction, AWB, HLC, BLC
- ROI, SVC, SMART H.264/H.265, flexible coding, applicable to various bandwidth and storage environments
- With deep learning algorithm, it supports people counting, face recognition, perimeter protection etc
- 24V AC/PoE/12V DC power support
- Five streams for three-channel HD video
- IP67, IK10 protection grade

### System Overview

With advanced deep learning algorithm, Dahua Ultra AI series network camera supports various intelligent functions and satisfies the requirements in different scenes. The camera can accurately detect person, vehicle, and non-motor vehicle, face, and liveness. This series camera has ultra starlight night version effect, and works with ultra-low stream. It supports dust-proof function, waterproof function and vandal-proof function, complying to the standards of IP67 and IK10.



### Functions

#### People Counting

With deep learning algorithm, Dahua People Counting technology can track and process moving human body targets to realize the accurate statistics of enter No., leave No., and In Area No. Working with management platform, it outputs yearly/monthly/weekly/daily reports to meet your requirements.

#### Video Metadata

With deep learning algorithm, Dahua Video Metadata technology can detect, track, capture vehicle, non-motor vehicle and people, and select the best images, and extract attributes.

#### Smart Codec

Smart H.265+ is the optimized implementation of the H.265 codec that uses a scene-adaptive encoding strategy, dynamic GOP, dynamic ROI, flexible multi-frame reference structure and intelligent noise reduction to deliver high-quality video without straining the network. Smart H.265+ technology reduces bit rate and storage requirements by up to 70% when compared to standard H.265 video compression.

#### ePoE

Dahua ePoE technology provides a new way to accomplish long distance transmission between IP camera and network switch. It allows more flexible surveillance system design, improves reliability and saves construction and wiring cost.

#### Perimeter Protection

With deep learning algorithm, Dahua Perimeter Protection technology can recognize human and vehicle accurately. In restricted area (such as pedestrian area and vehicle area), the false alarms of intelligent detection based on target type (such as tripwire, intrusion, fast moving, parking detection, loitering detection and gathering detection) are largely reduced.

#### Face Recognition

Dahua Face Recognition technology extracts the features of captured faces and compares them with that in face database to recognize the person identity.

#### Privacy Protection

Dahua Privacy Protection technology can mask the detected face and human body to protect the privacy of some special targets.

**Technical Specification**

**Camera**

Image Sensor	1/1.8" 4Megapixel progressive CMOS
Effective Pixels	2688 (H) × 1520 (V)
ROM	16 GB
RAM	2 GB
Scanning System	Progressive
Electronic Shutter Speed	Auto/Manual 1/3 s–1/100000 s
Min. Illumination	Color:0.001 Lux@F1.2, B/W:0 Lux@F1.2
IR Distance	Distance up to 40 m (131.23 ft)
IR On/Off Control	Auto
IR LEDs Number	3 (IR LEDs)
Pan/Tilt/Rotation Range	Pan: 0°–355° Tilt: 0°–80° Rotation: 0°–355°

**Lens**

Lens Type	Motorized vari-focal				
Optical Zoom	>4x				
Focal Length	2.7mm-12mm				
Max. Aperture	F1.2				
Field of View	Horizontal: 114°(W)–47°(T) Vertical: 59°(W)–27°(T) Diagonal: 141° (W–55°(T))				
Iris Type	Auto aperture				
Focus Control	Auto/Manual Fine Focus Adjustment				
DORI Distance	Lens	Detect	Observe	Recognize	Identify
	W	60.1 m (187.19 ft)	24 m (78.74 ft)	12 m (39.37 ft)	6 m (19.69 ft)
	T	128.6 m (421.92 ft)	51.4 m (168.64 ft)	25.7 m (84.32 ft)	12.8 m (41.99 ft)

**Smart event**

General IVS Analytics	Abandoned object, moving object
-----------------------	---------------------------------

**Professional Intelligent**

Perimeter Protection	Tripwire, intrusion, fast moving (the three functions support the classification and accurate detection of vehicle and human); parking detection, loitering detection, and people gathering.
Face Recognition	Face recognition, track, priority, snapshot, face enhancement, face exposure, face attribute extract, 6 attributes and 8 expressions: Gender, age, glasses, expressions (anger, sadness, disgust, fear, surprise, calm, happiness and confusion), mask, beard Face matting setting: face, single inch photo Two snapshot strategies: priority snapshot, recognition Face angle filter Priority time setting Management of 5 group face libraries Single person register and person register in batch Face recognition and similarity setting Max supports face contrast in face library with 200,000 faces

People Counting	People counting (count the entry number, exit number and pass number), display and output daily/monthly/annual statistics, No. in area
Video Metadata	Support human body, human face, motor vehicle and non-motor vehicle image capture and attributes extraction.
Intelligent Search	Work together with Smart NVR to perform refine intelligent search, event extraction and merging to event videos.

**Video**

Video Compression	H.265, H.264, H.264H, H.264B, MJPEG
Smart Codec	Yes
Video Frame Rate	Main Stream: 2688 × 1520 (1–50/60 fps) sub stream 1: 704 × 576 (1–25/30 fps) sub stream 2: 1920 × 1080 (1–25/30 fps) sub stream 3: 1920 × 1080 (1–25/30 fps) sub stream 4: 704 × 576 (1–25/30 fps)
Stream Capability	5 streams
Resolution	4M (2688 × 1520), 3M (2304 × 1296), 1080p (1920 × 1080), 1.3M (1280 × 960), 720p (1280 × 720), D1 (704 × 576/704 × 480), VGA (640 × 480), CIF (352 × 288/352 × 240)
Bit Rate Control	CBR/VBR
Video Bit Rate	H.264: 32 Kbps–10240 Kbps H.265: 12 Kbps–10240 Kbps
Aspect Ratio	16:9/9:16
Video Quality Adjustment	Multiple compression levels up to 6 levels
BLC	Yes
WDR	140 dB
White Balance	Auto/natural/street lamp/outdoor/manual/regional custom
Gain Control	Auto/Manual
Noise Reduction	3D DNR
Motion Detection	OFF/ON (4 areas, rectangular)
Region of Interest(Rol)	Yes (4 areas)
Electronic Image Stabilization(EIS)	Yes
Smart IR	Yes
Defog	Yes
Image Rotation	0°/90°/180°/270°
Mirror	Yes
Privacy Masking	4 areas
Event Trigger	Motion detection, Video tampering , Scene changing, Network disconnection , IP address conflict, Illegal Access, Storage anomaly, audio detection.
<b>Audio</b>	
Audio Compression	G.711a; G.711Mu; G726; AAC; G.723
Audio Detection	Support

**Network**

Network	RJ-45 (10/100/1000 Base-T)
Protocol	HTTP; Https; 802.1.x; TCP; ARP; RTSP; RTP; UDP; RTCP; SMTP; FTP; DHCP; DNS; DDNS; PPPoE; IPv4/v6; SNMP; QoS; UPnP; NTP; SFTP; RTMP; Genetec; Bonjour
Interoperability	ONVIF (Profile S/Profile G/Profile T); CGI; P2P
Scene Self-adaptation	Yes
User/Host	20 (Total bandwidth: 80 M.)
Streaming Method	Unicast/Multicast
Edge Storage	FTP; Micro SD card (256 G); NAS; SFTP
Browser	IE: Versions later than IE9 Chrome: Versions later than Chrome 42, Firefox: Versions later than Firefox 48.0.2,
Management Software	Smart PSS, DSS PRO, NVR, IVSS, DMSS
Mobile Phone	IOS, Android

**Certification**

Certifications	CE-LVD: EN60950-1 CE-EMC: Electromagnetic Compatibility Directive 2014/30/EU FCC: 47 CFR FCC Part 15, Subpart B UL/CUL: UL60950-1 CAN/CSA C22.2 No.60950-1-07
----------------	--

**Port**

RS-485	1 (Bit rate: 1200 bps–115200 bps)
Audio Input	Audio Interface: 1/1 channel In/Out
Audio Output	
Alarm Input	3 channel In: 5mA 5V DC
Alarm Output	2 channel Out: 1000mA 30V DC/500mA 50V AC

**Power**

Power Supply	12V DC/24V AC/POE
Power Consumption	Basic power consumption: 5.4W (12V DC); 5W (24V AC active power); 4.9W (POE); Max power consumption (ICR switch, and IR full intensity): 16.7W (12V DC); 15.7W (24V AC active power); 15.6W (POE);

**Environment**

Operating Temperature	-40°C to +60°C (-40°F to +140°F)
Operating Humidity	≤95%
Storage Temperature	-40°C to +60°C (-40°F to +140°F)
Ingress Protection	IP67, IK10

**Structure**

Dimensions	129.1 mm × Φ157.9 mm (5.08" × Φ6.22") (L × W × H)
Net Weight	1500g(3.31lb)
Gross Weight	1600 g (3.53 lb)
Installation	Ceiling Mount; side Mount; pole Mount

**Ordering Information**

Type	Part Number	Description
4MP Camera	DH-IPC-HDBW7442HP-ZFR	4MP AI IR Dome Network Camera
	DH-IPC-HDBW7442HN-ZFR	4MP AI IR Dome Network Camera
	IPC-HDBW7442HP-ZFR	4MP AI IR Dome Network Camera
	IPC-HDBW7442HN-ZFR	4MP AI IR Dome Network Camera
Accessories	PFA773	Wall Mount
	PFB210W	Wall Mount
	PFA152-E	Pole Mount
	PFA101	Wall Mount
	PFB300C	Ceiling Mount

**Accessories**

**Optional:**



PFA773



PFB210W



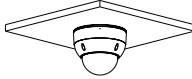
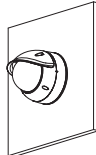
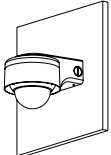
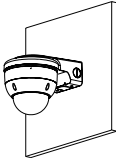
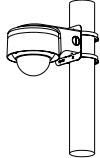
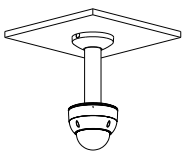
PFA152-E



PFA101



PFB300C

Ceiling Mount	Wall Mount	Wall Mount
	PFA773 	PFB210W 
	Pole Mount PFB210W+PFA152-E 	Hang Mount PFB300C+PFA101 

Dimensions (mm[inch])

