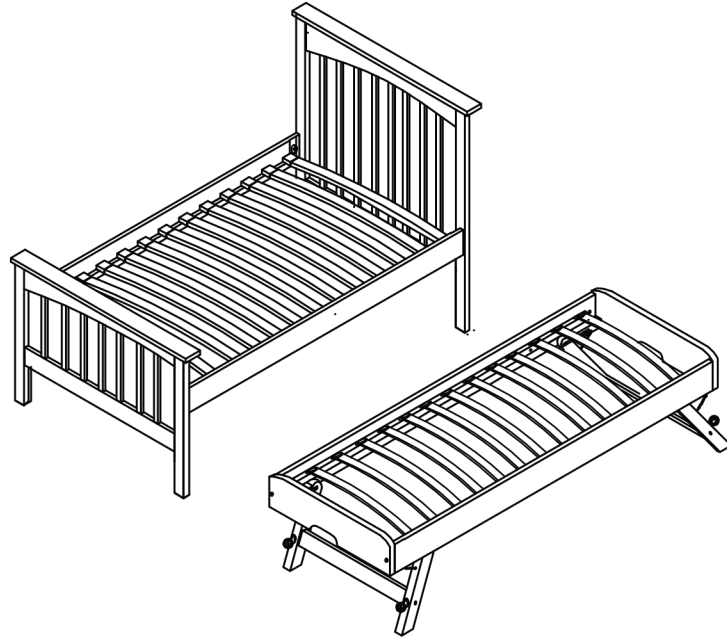


Guest Bed Assembly Instructions

Thank you for purchasing your Guest Bed from The Oak Bed Store. As an independent family run company, customers such as yourself really make a big difference and we sincerely appreciate it.



We hope you are delighted with your purchase, however if you have any further queries or concerns, please don't hesitate to contact us by;

- Email at help@theoakbedstore.co.uk
- Telephone on 02392 984885
- Live Chat via our website

Please read the instructions carefully before assembling or use to ensure a safe and satisfactory operation of this product.

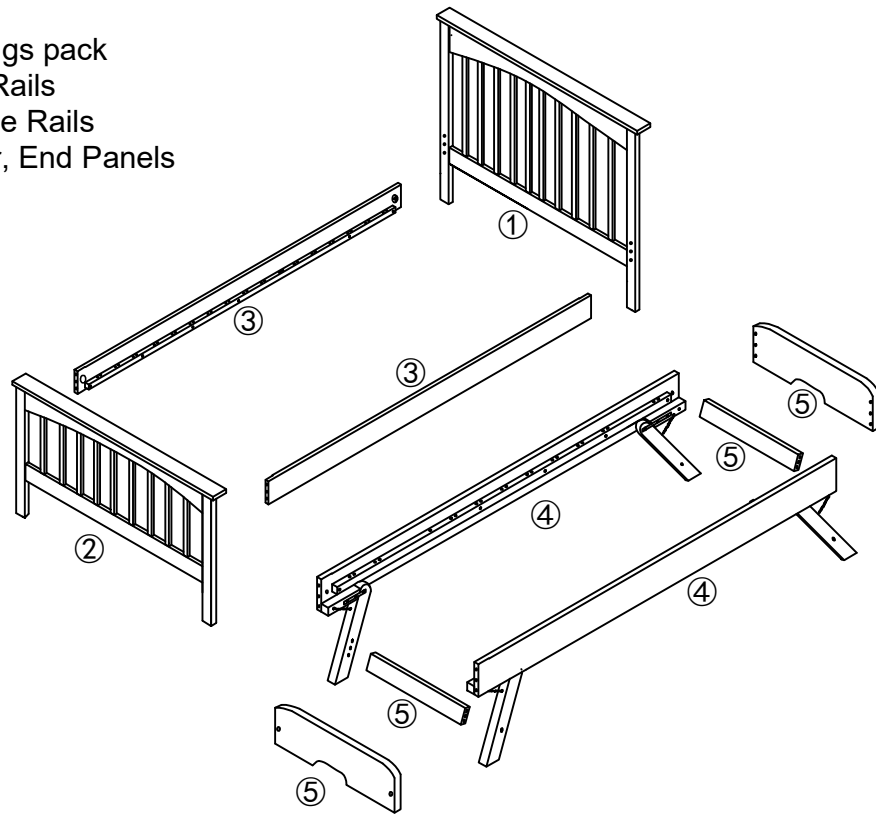
Please note:

1. This product takes approximately 40 minutes to assemble with 2 people.
2. This product is heavy, it should be assembled as near as possible to the point of use.
3. Please do not drag the bed frame, always lift and reposition with 2 people to avoid personal injury as well as damage to the product.
4. Please do not discard any of the packaging until you have checked that you have all the parts and the pack of fittings.
5. To ensure an easier assembly, we recommend that all fittings are only finger tightened during initial assembly. Only upon completion of the assembly should all fixing points be fully tightened.
6. Periodically check all screws & fixings to ensure they are secure.
7. Please do not jump on this bed frame.
8. The fittings pack contains small parts, which should be kept away from children.








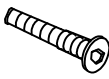


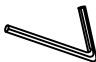

In the unlikely event that this product has missing or damaged parts, please call 02392 984885 to obtain replacements.

Boxes

- 1 of 5 - Headboard
- 2 of 5 - Footboard, Fittings pack
- 3 of 5 - Main Bed Side Rails
- 4 of 5 - Trundle Bed Side Rails
- 5 of 5 - Slats, Cross Bar, End Panels



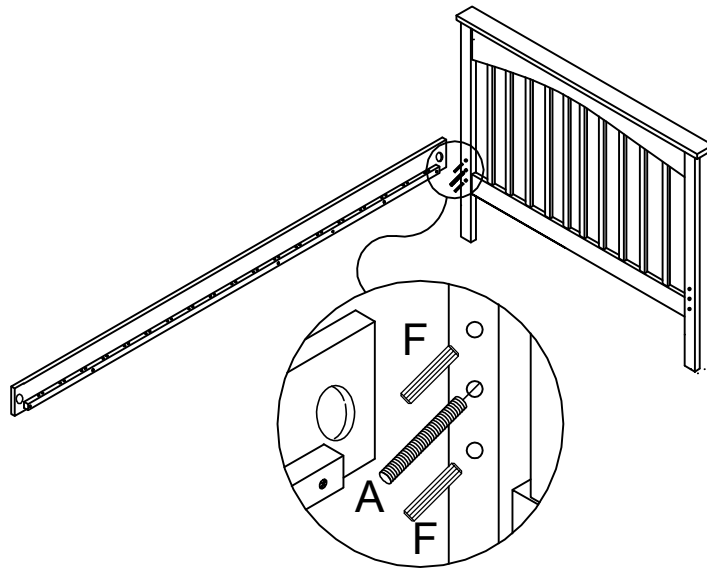
Fittings Checklist

<p>A  Bolt M8 × 80mm × 4 pcs</p>	<p>E  Spanner 14# × 1 pc</p>	<p>I  Barrel Nut M8 × 8 pcs</p>
<p>B  Half Moon Washer M8 × 30 × 15 × 4 pcs</p>	<p>F  Wooden Dowel Ø10 × 40mm × 24 pcs</p>	<p>J  Castor Wheel 4 pcs</p>
<p>C  Flat Washer M8 × 4 pcs</p>	<p>G  Bolt M8 × 55mm × 8 pcs</p>	<p>K  Sprung Slat Caps 76 pcs</p>
<p>D  Hex Nut M8 × 4 pcs</p>	<p>H  Allen Key M5 × 1 pc</p>	<p>L  Sprung Slats 38 pcs</p>

Main Bed Assembly Steps 1 - 4

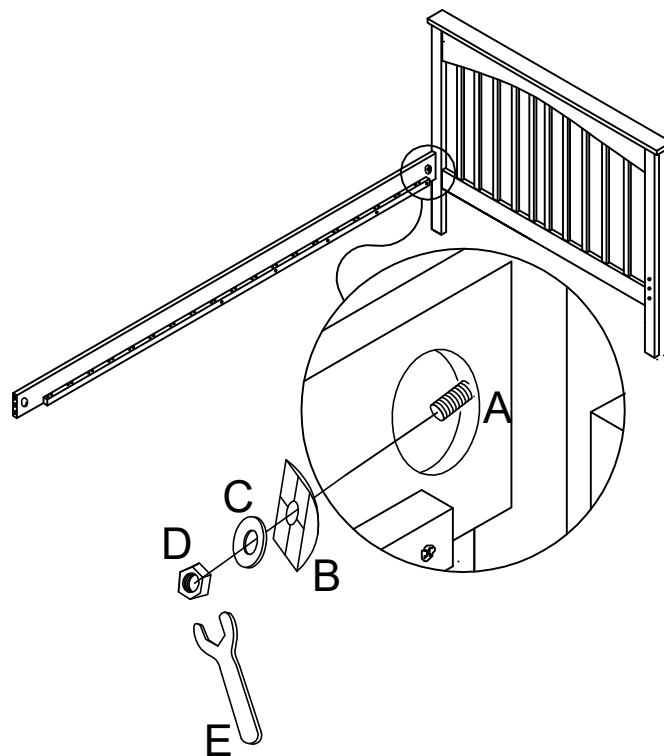
Step 1:

Attach the Side Rails to the Headboard using Bolt (A) and Wooden Dowel (F) as shown ensuring the pre-drilled holes on the side rails are facing up.



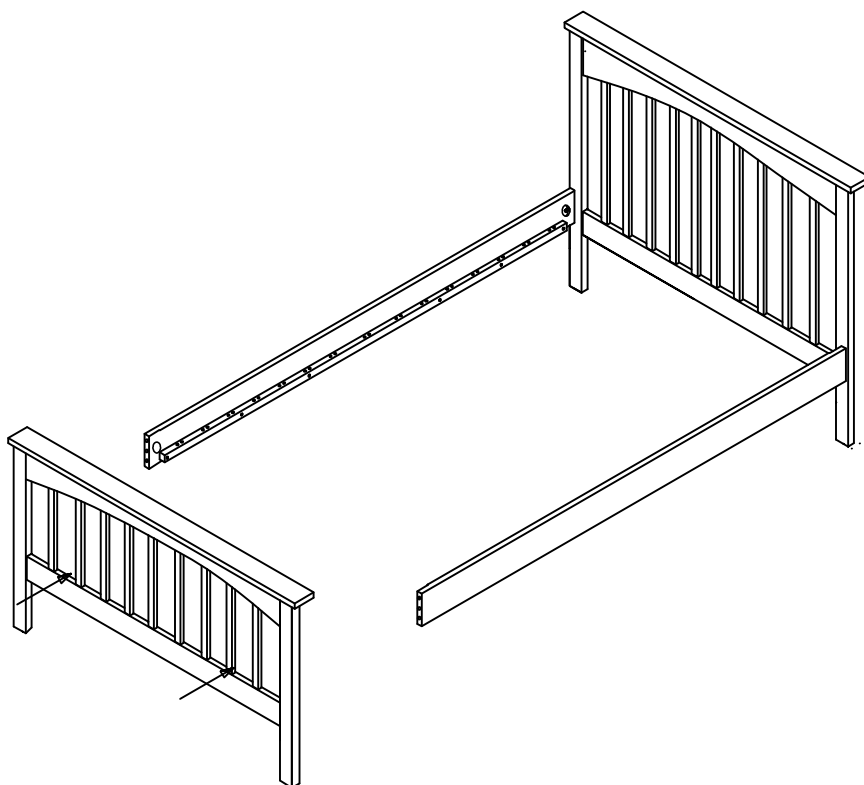
Step 2:

Using the Half Moon Washer (B), Flat Washer (C), Hex Nut (D) and Spanner (E) please secure them into place and tighten, but do not fully tighten.



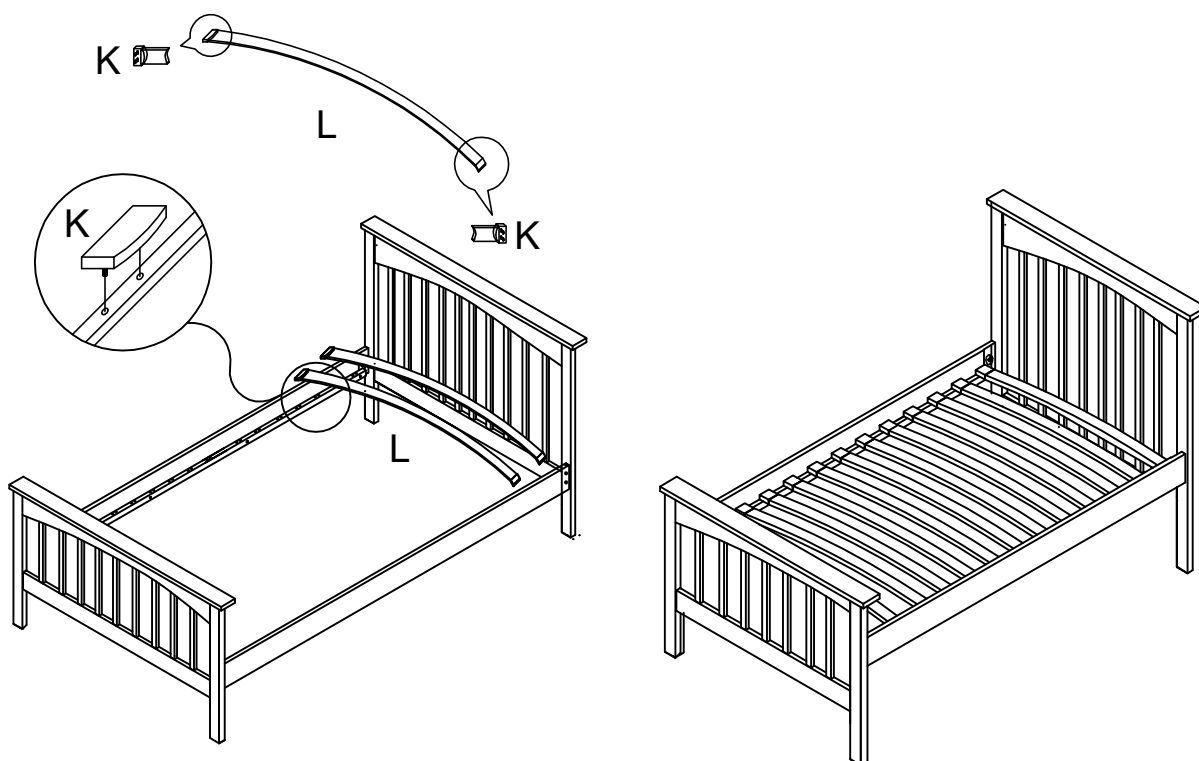
Step 3:

Attach the Side Rails to the Footboard by repeating steps 1 and 2. Once the frame is secure, please tighten all 4 ends fully using the Spanner (E).



Step 4:

Fit the Slat Cap (K) onto the Sprung Slat (L) and insert into the pre-drilled holes on the Side Rails, please note you may need to press firmly into place.

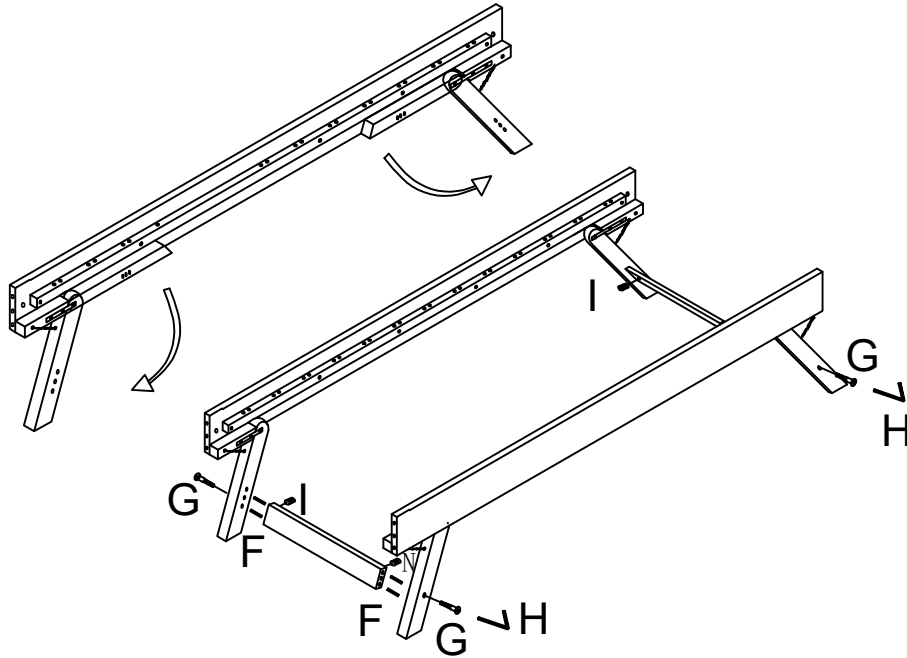


Trundle Bed Assembly Steps 1 - 3

Please do not place the trundle upon its side as it features a spring mechanism that could cause injury.

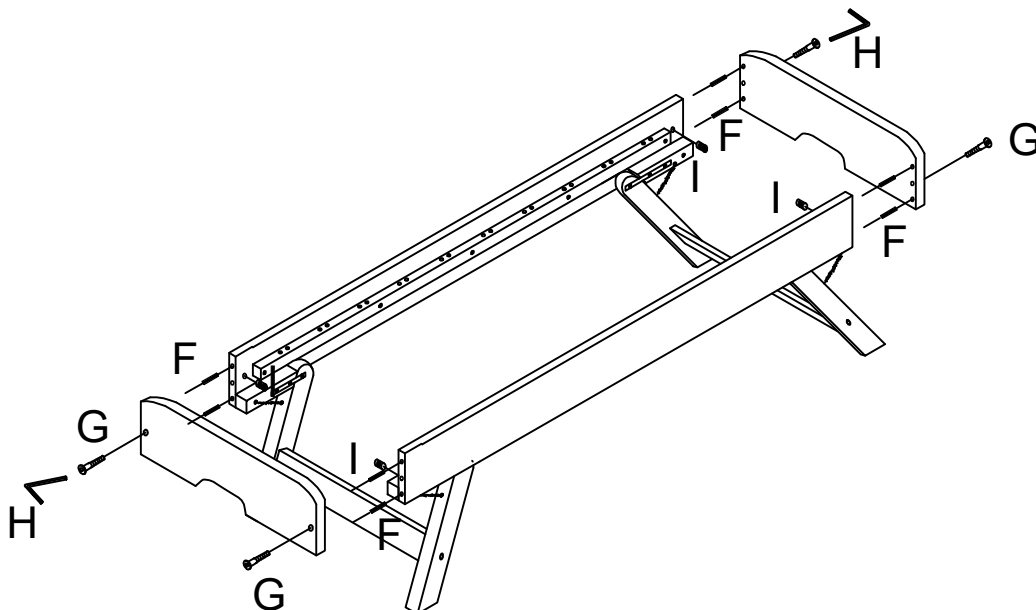
Step1:

Cut the leg ties on the Trundle Side Rails, please note the legs may spring back. Attach the Cross Bar to the Side Rails legs using Wooden Dowel (F), Barrel Nut (I), Bolt (G) and secure fully with Allen Key (H). Please repeat this for the other leg.



Step 2:

Insert Wooden Dowel (F) and Barrel Nut (I) into the side rail and place the headboard into position securing with Bolt (G) and Allen Key (H) and then repeat on footboard.



Step 3:

Fit the Slat Cap (K) onto the Sprung Slat (L) and attach to the predrilled holes into Side Rails, please note you may need to press firmly into place. Screw the Castor Wheels (J) into the legs and then tighten fully using Spanner (E).

