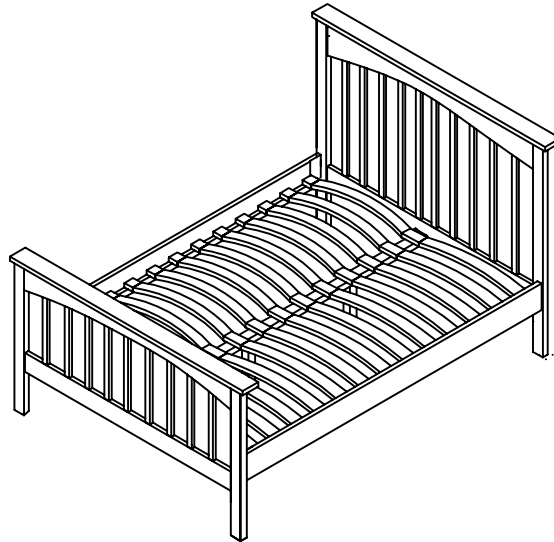


4ft and 4ft6 Bed Assembly Instructions

Thank you for purchasing from The Oak Bed Store. As an independent family run company, customers such as yourself really make a big difference and we sincerely appreciate it.



We hope you are delighted with your purchase, however if you have any further queries or concerns, please don't hesitate to contact us by;

- Email at help@theoakbedstore.co.uk
- Telephone on 02392 984885
- Live Chat via our website

Please read the instructions carefully before assembling or use to ensure a safe and satisfactory operation of this product.

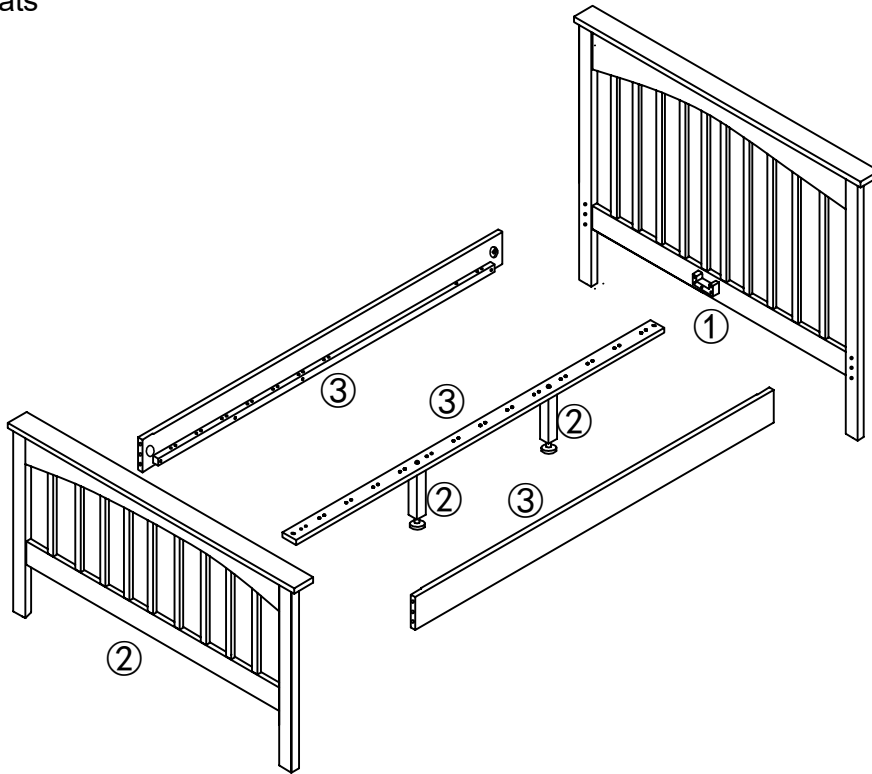
Please note:

1. This product takes approximately 40 minutes to assemble with 2 people.
2. This product is heavy, it should be assembled as near as possible to the point of use.
3. Please do not drag the bed frame, always lift and reposition with 2 people to avoid personal injury as well as damage to the product.
4. Please do not discard any of the packaging until you have checked that you have all the parts and the pack of fittings.
5. To ensure an easier assembly, we recommend that all fittings are only finger tightened during initial assembly. Only upon completion of the assembly should all fixing points be fully tightened.
6. Periodically check all screws & fixings to ensure they are secure.
7. You will require a crosshead screwdriver.
8. Please do not jump on this bed frame.
9. The fittings pack contains small parts, which should be kept away from children.




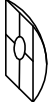

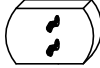







In the unlikely event that this product has missing or damaged parts, please call 02392 984885 to obtain replacements.

Boxes

- 1 of 4 - Headboard
- 2 of 4 - Footboard, Fittings Pack
- 3 of 4 - Side Rails, Centre Rail
- 4 of 4 - Slats

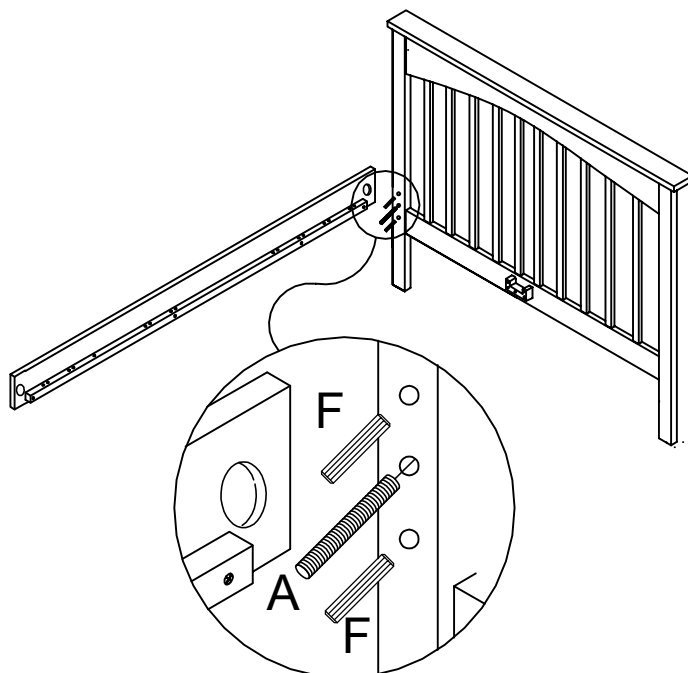


Fittings Checklist

<p>A  Bolt M8 × 80mm × 4 pcs</p>	<p>F  Wooden Dowel Ø10 × 40mm × 8 pcs</p>	<p>K  Sprung Slat Caps Side × 36 pcs</p>
<p>B  Half Moon Washer M8 × 30 × 15 × 4 pcs</p>	<p>G  Bolt M8 × 40mm × 2 pcs</p>	<p>L  Sprung Slat Caps Middle × 18 pcs</p>
<p>C  Flat Washer M8 × 4 pcs</p>	<p>H  Wooden Dowel Ø8 × 40mm × 4 pcs</p>	<p>M  Sprung Slats 36 pcs</p>
<p>D  Hex Nut M8 × 4 pcs</p>	<p>I  Allen Key M5 × 1 pc</p>	
<p>E  Spanner 14# × 1 pc</p>	<p>J  CSK Screw M4 × 35mm × 2 pcs</p>	

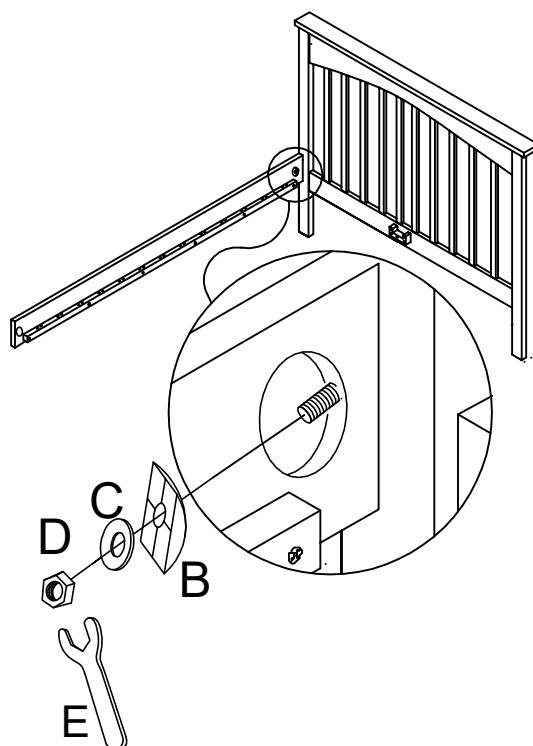
Step 1:

Attach the Side Rails to the Headboard using Bolt (A) and Wooden Dowel (F) as shown ensuring the pre-drilled holes on the side rails are facing up.



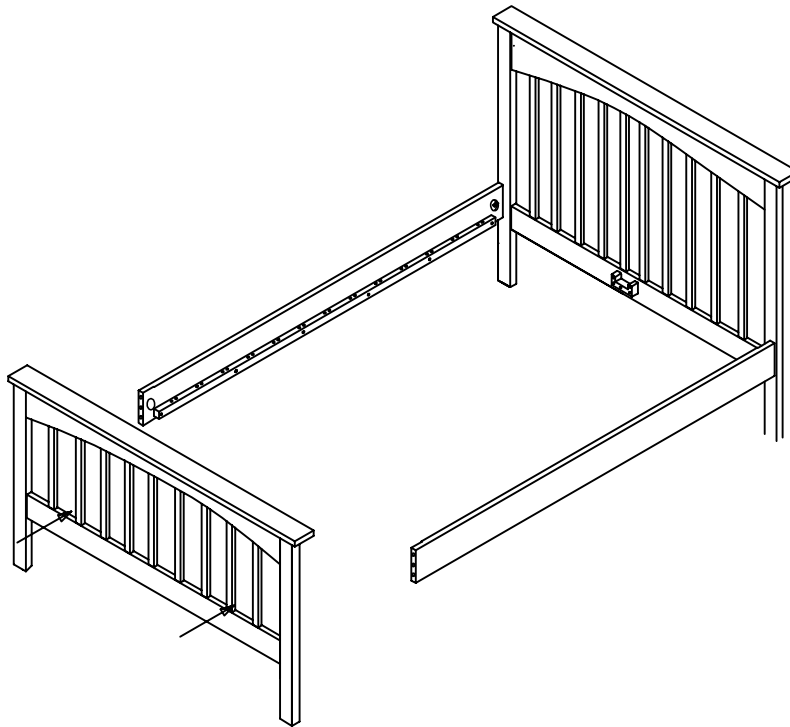
Step 2:

Using the Half Moon Washer (B), Flat Washer (C), Hex Nut (D) and Spanner (E) please secure them into place and tighten, but do not fully tighten.



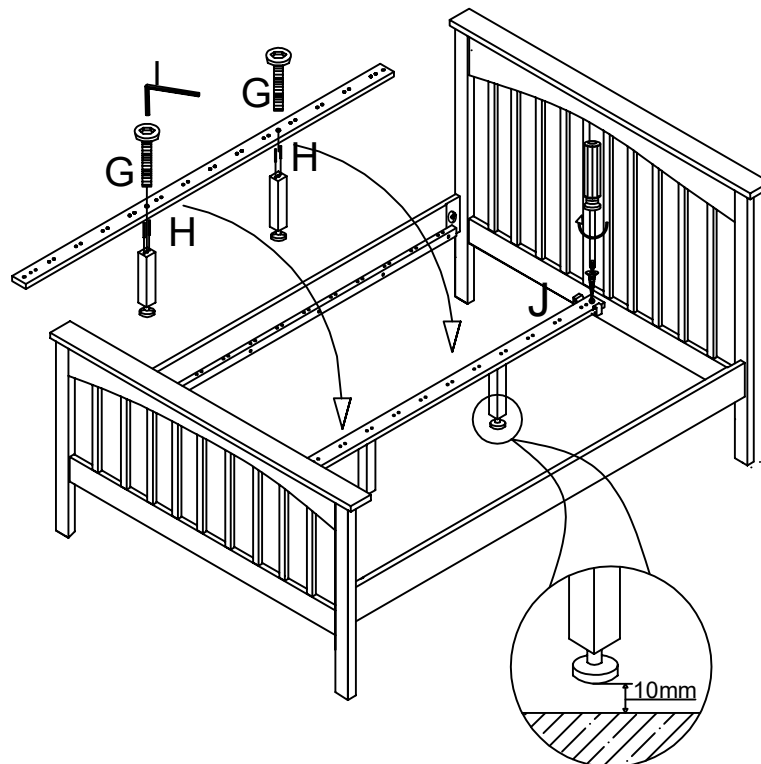
Step 3:

Attach the Side Rails to the Footboard by repeating steps 1 and 2. Once the frame is secure, please tighten all 4 ends fully using the Spanner (E).



Step 4:

Attach the Support Legs to the Centre Rail using Bolt (G), Wooden Dowel (H) and tighten securely using Allen Key (I). Place the Centre Rail onto the Central Wooden Support on the Headboard and Footboard and tighten using CSK Screw (J). You will require a screwdriver.



Step 5:

Fit the Slat Cap (K) and (L) onto the Sprung Slat (M) and insert into the pre-drilled holes on the Side Rail and Middle Centre Rail, please note you may need to press firmly into place.

