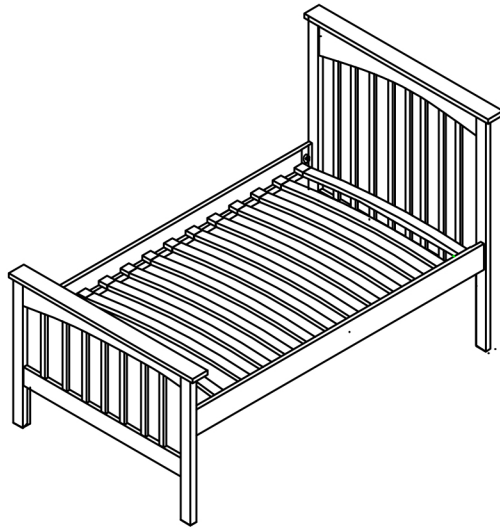


3ft Bed Assembly Instructions

Thank you for purchasing from The Oak Bed Store. As an independent family run company, customers such as yourself really make a big difference and we sincerely appreciate it.



We hope you are delighted with your purchase, however if you have any further queries or concerns, please don't hesitate to contact us by;

- Email at help@theoakbedstore.co.uk
- Telephone on 02392 984885
- Live Chat via our website

Please read the instructions carefully before assembling or use to ensure a safe and satisfactory operation of this product.

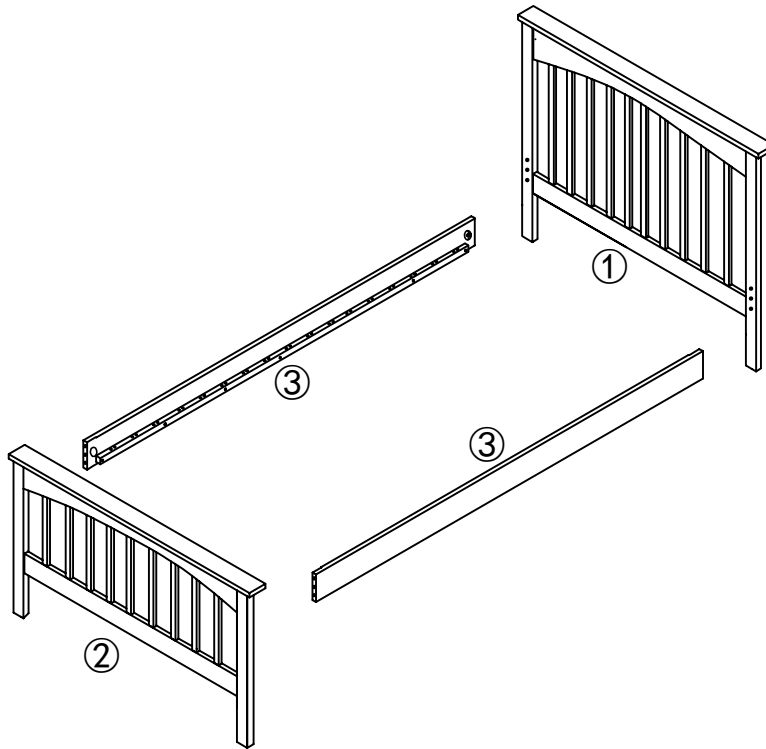
Please note:

1. This product takes approximately 40 minutes to assemble with 2 people.
2. This product is heavy, it should be assembled as near as possible to the point of use.
3. Please do not drag the bed frame, always lift and reposition with 2 people to avoid personal injury as well as damage to the product.
4. Please do not discard any of the packaging until you have checked that you have all the parts and the pack of fittings.
5. To ensure an easier assembly, we recommend that all fittings are only finger tightened during initial assembly. Only upon completion of the assembly should all fixing points be fully tightened.
6. Periodically check all screws & fixings to ensure they are secure.
7. Please do not jump on this bed frame.
8. The fittings pack contains small parts, which should be kept away from children.




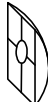




In the unlikely event that this product has missing or damaged parts, please call 02392 984885 to obtain replacements.

Boxes

- 1 of 4 - Headboard
- 2 of 4 - Footboard, Fittings Pack
- 3 of 4 - Side Rails
- 4 of 4 - Slats

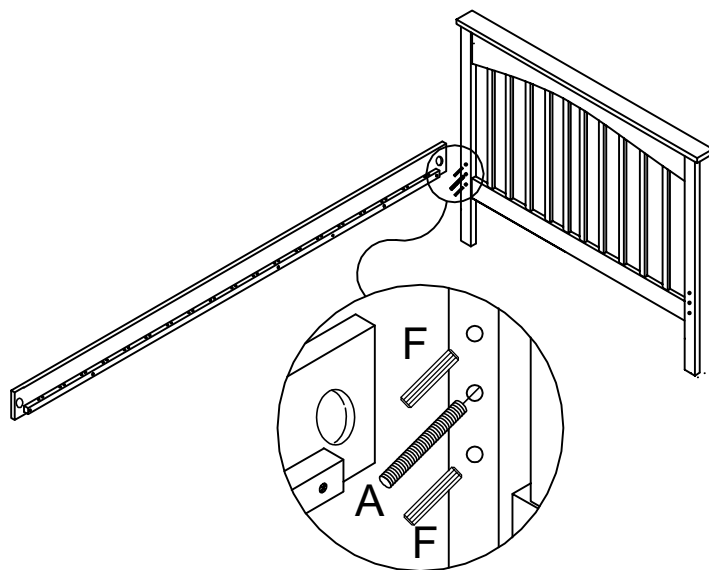


Fittings Checklist

<p>A </p> <p>Bolt M8 × 80mm × 4 pcs</p>	<p>D </p> <p>Hex Nut M8 × 4 pcs</p>	<p>G </p> <p>Sprung Slat Caps Side × 36 pcs</p>
<p>B </p> <p>Half Moon Washer M8 × 30 × 15 × 4 pcs</p>	<p>E </p> <p>Spanner 14# × 1 pc</p>	<p>H </p> <p>Sprung Slats 18 pcs</p>
<p>C </p> <p>Flat Washer M8 × 4 pcs</p>	<p>F </p> <p>Wooden Dowel Ø10 × 40mm × 8 pcs</p>	

Step 1:

Attach the Side Rails to the Headboard using Bolt (A) and Wooden Dowel (F) as shown ensuring the pre-drilled holes on the side rails are facing up.



Step 2:

Using the Half Moon Washer (B), Flat Washer (C), Hex Nut (D) and Spanner (E) please secure them into place and tighten, but do not fully tighten.

